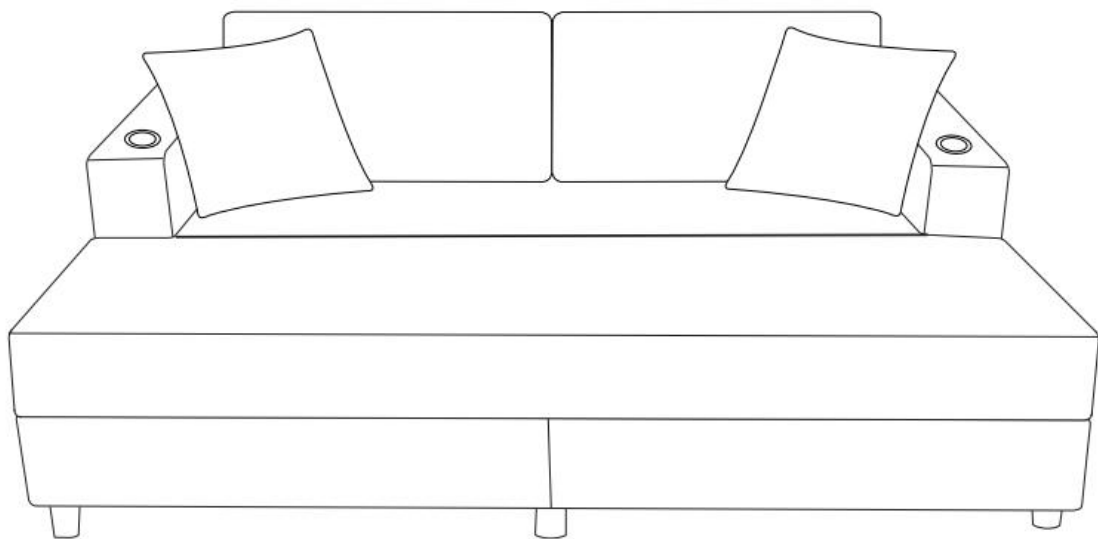


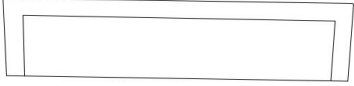
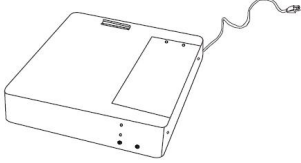
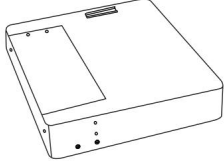
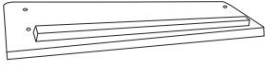
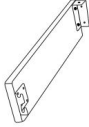
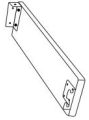
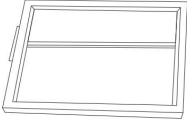


Assembly Instructions

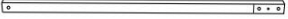









Note: Please help to read my instruction before you ready to assemble.

LOVESEAT CHAISE LOUNGE


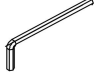






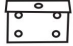






Part List

Label	Picture	Description	QTY (PCS)
A		Backrest Cover	1
B		Left Armrest	1
C		Right Armrest	1
D		Front Rail	2
E		Left Rail	1
F		Right Rail	1
G		Iron Back Frame	2
H		Link Pipe for Iron Back Frame	1
I		Metal Middle Leg Left Connecting Wooden Batten	1

J		Metal Middle Leg Right Connecting Wooden Batten	1
K		Back Middle Leg Connecting Wooden Batten	2
L		Back Bed Slat	1
M		Front Bed Slat	1
N		Seat Cushion Package	1
N1		Seat Cushion	1
O		Back Cushion	2
P		Pillow	2
Q		Metal Middle Leg	2
R		Plastic Leg	7

Hardware

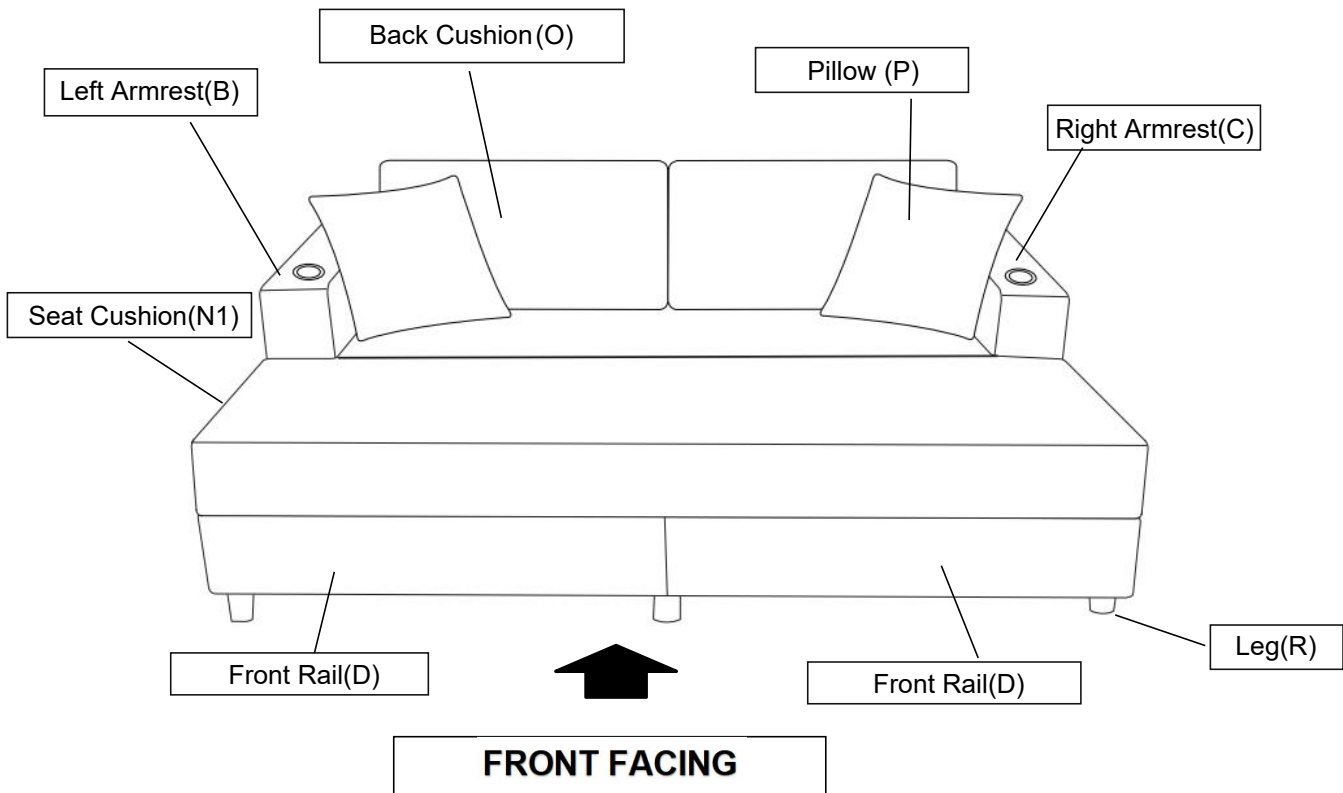
①		Plastic Washer	8
②		Allen Wrench	1
③		Bolt (M8*60)	8
④		Bolt (M8*80)	1
⑤		Bolt (M8*20)	14
⑥		Screw (M4*30)	30
⑦		Flat Washer	28
⑧		Spring Washer	23
⑨		Iron Connecting Plate	1
⑩		Iron Connecting Plate	2
⑪		Screwdriver	1
⑫		Nut	5
⑬		Spanner	1

NOTICE:

- Please read the instruction from cover to cover in detail.Thanks.
- Installed by at least two adults
- To avoid damaging your furniture , Please don't assemble on flooring or carpet.
- Please assemble on a clean non-marring surface, example for packing foam.
- Saving all packaging until have finished.

Assembly Steps:

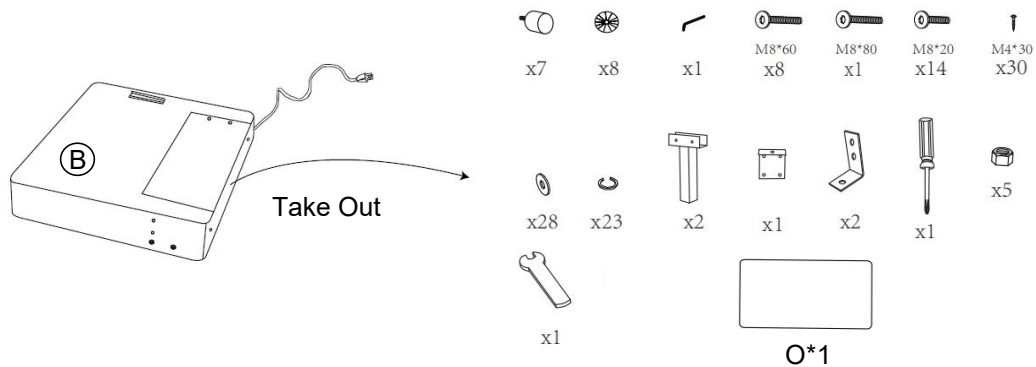
OVERVIEW



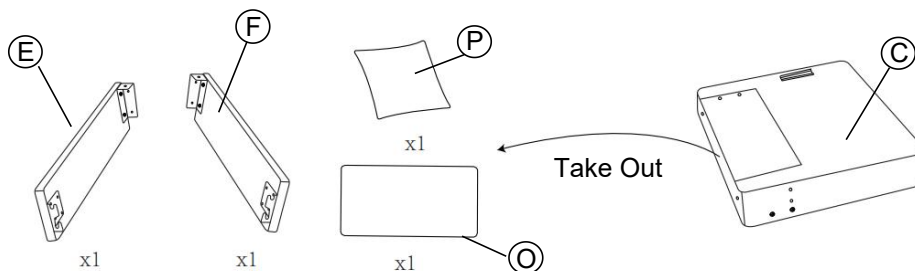
This LOVESEAT CHAISE LOUNGE has multiple parts and may require up to 30 minutes to assemble. To give you an overview of the LOVESEAT CHAISE LOUNGE parts, the above picture is to help you put the various parts into perspective. Please read through the instructions below to familiarise yourself with the parts and steps before assembly.

Note: It is recommended that you have an adult partner to assist during the entire assembly process.

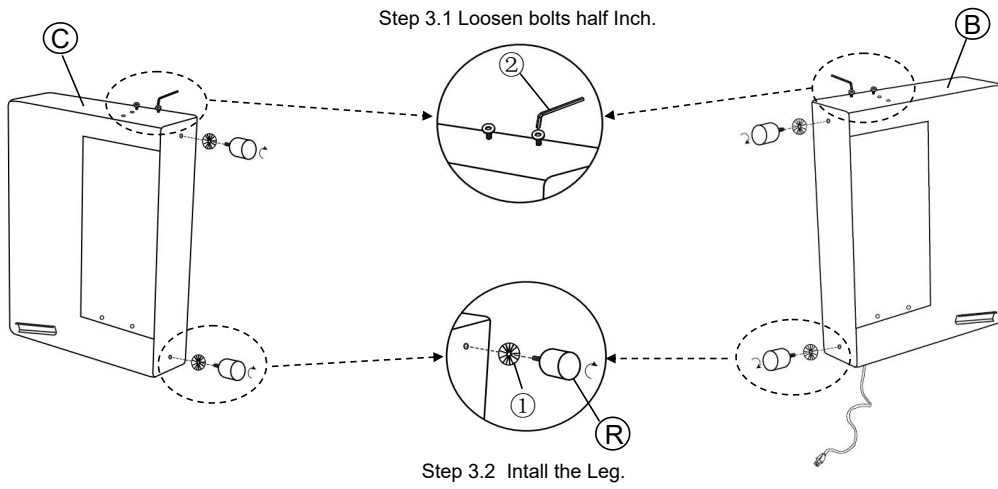
Step 01



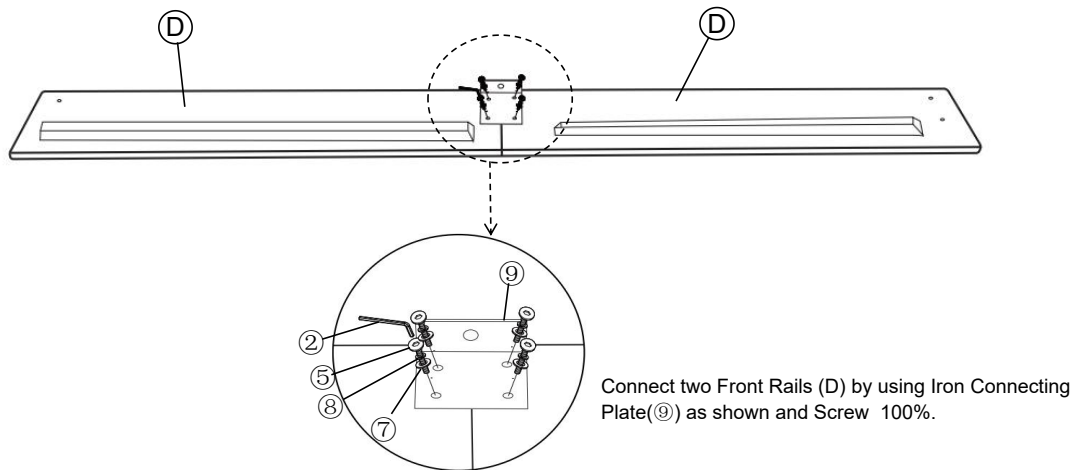
Step 02



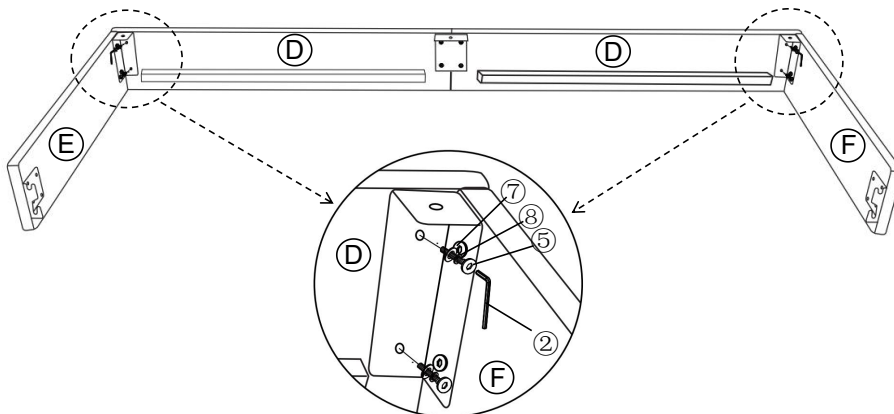
Step 03



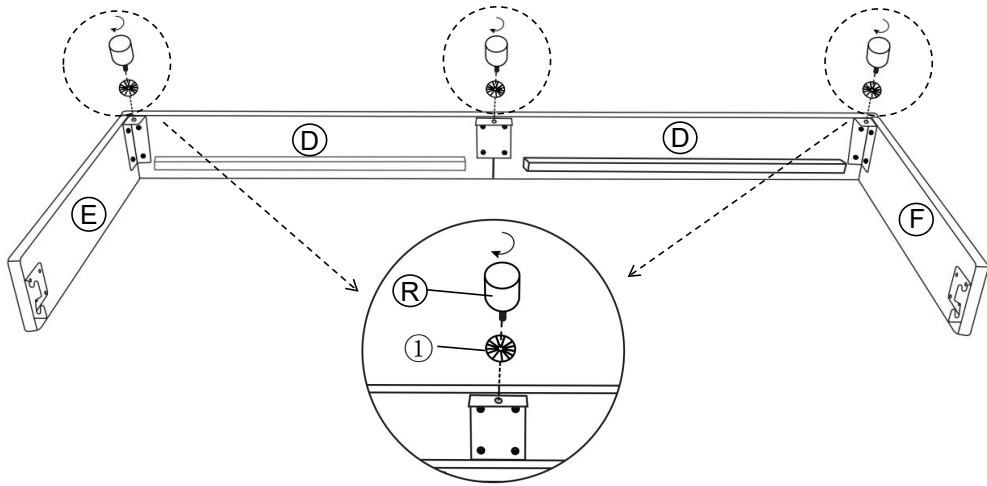
Step 04



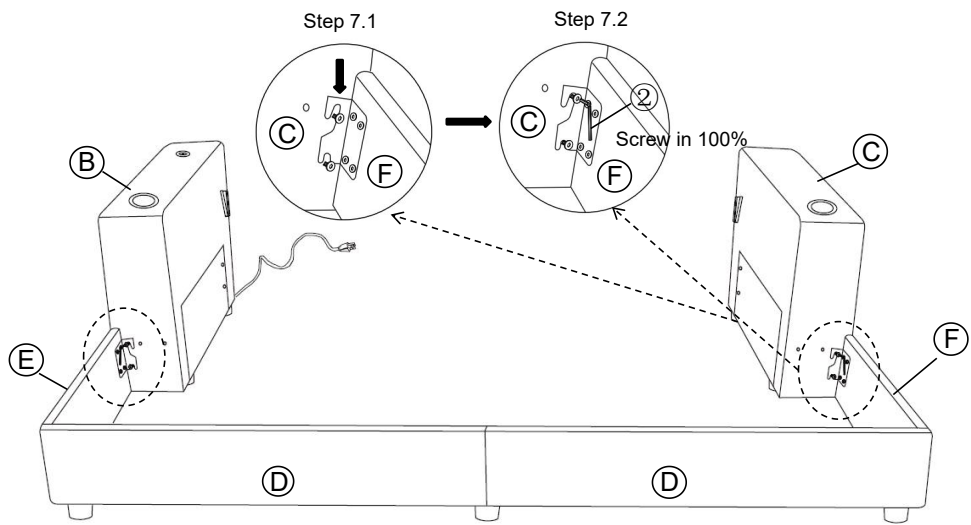
Step 05



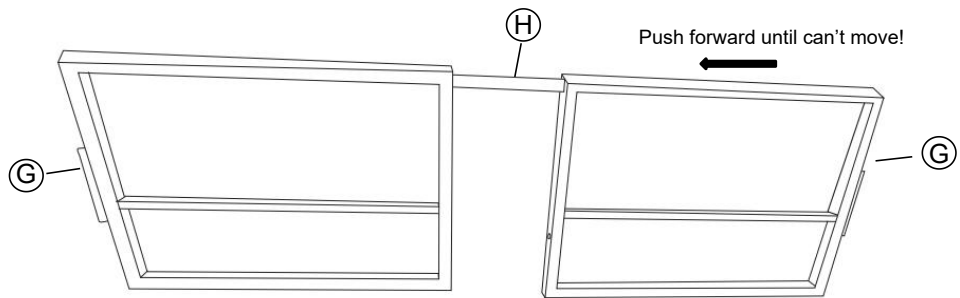
Step 06



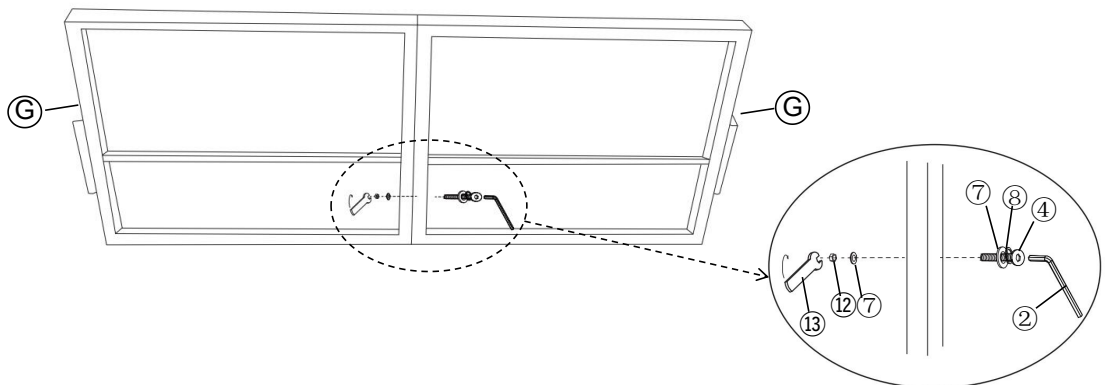
Step 07



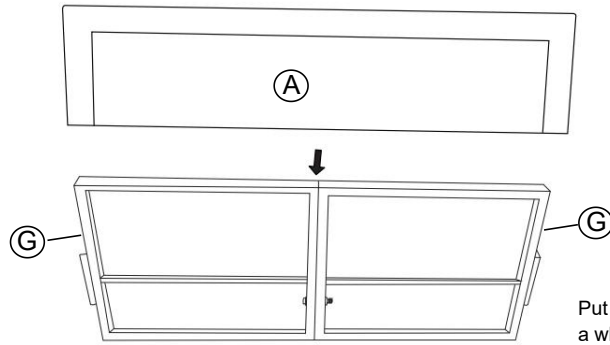
Step 08



Step 09

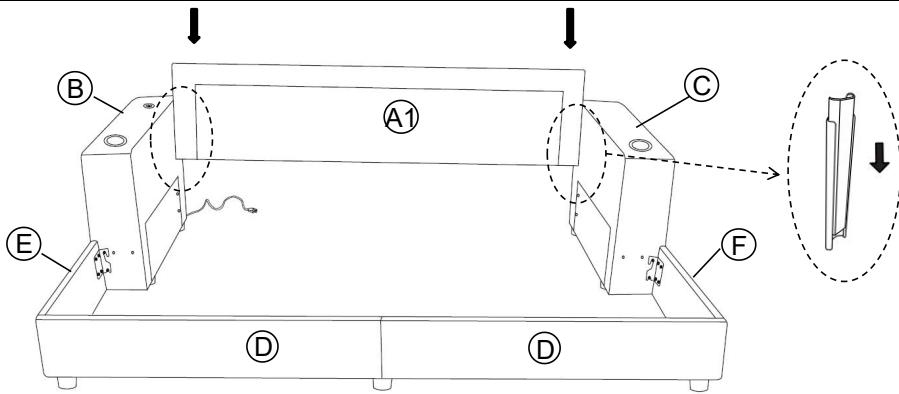


Step 10

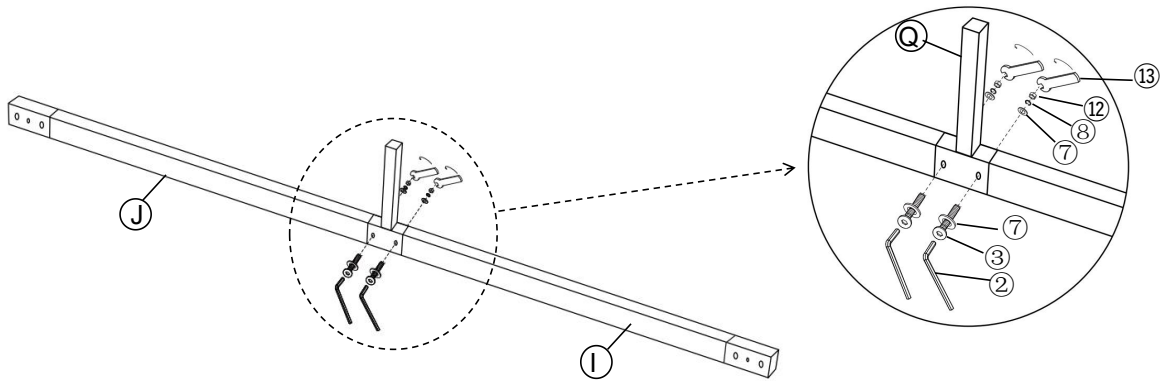


Put the Backrest Cover (A) on the iron frame to get a whole Backrest(A1).

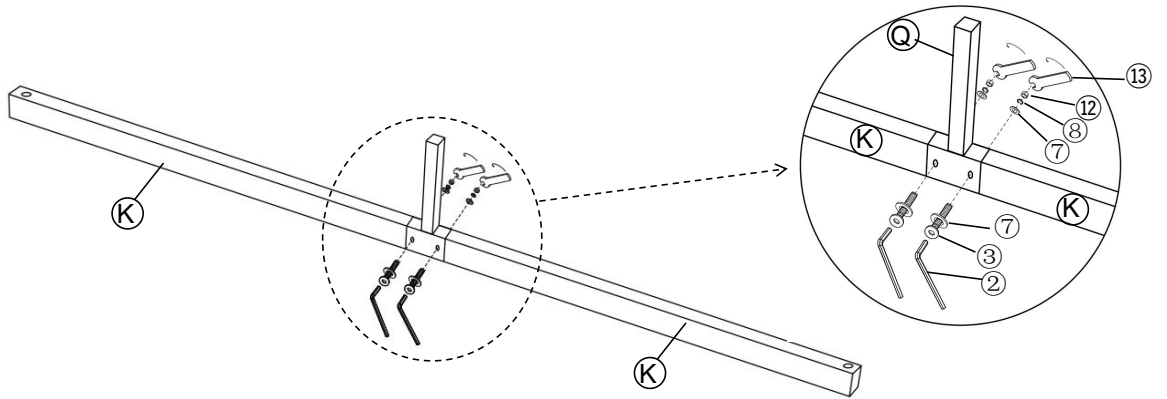
Step 11



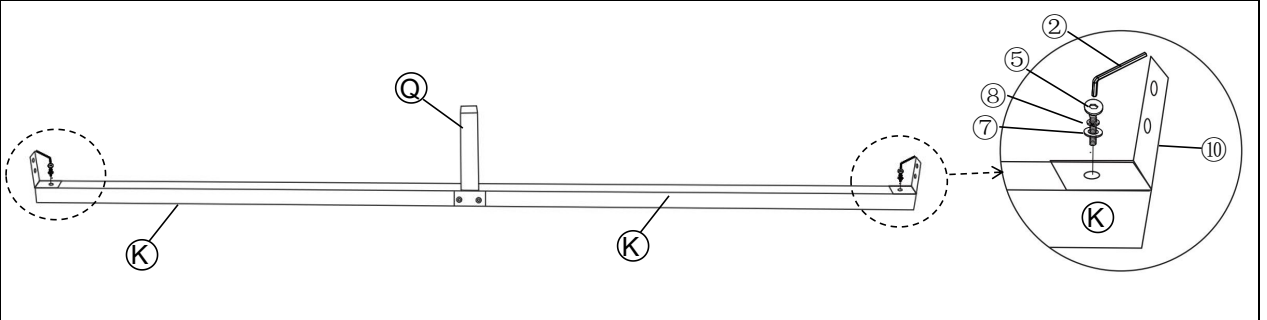
Step 12



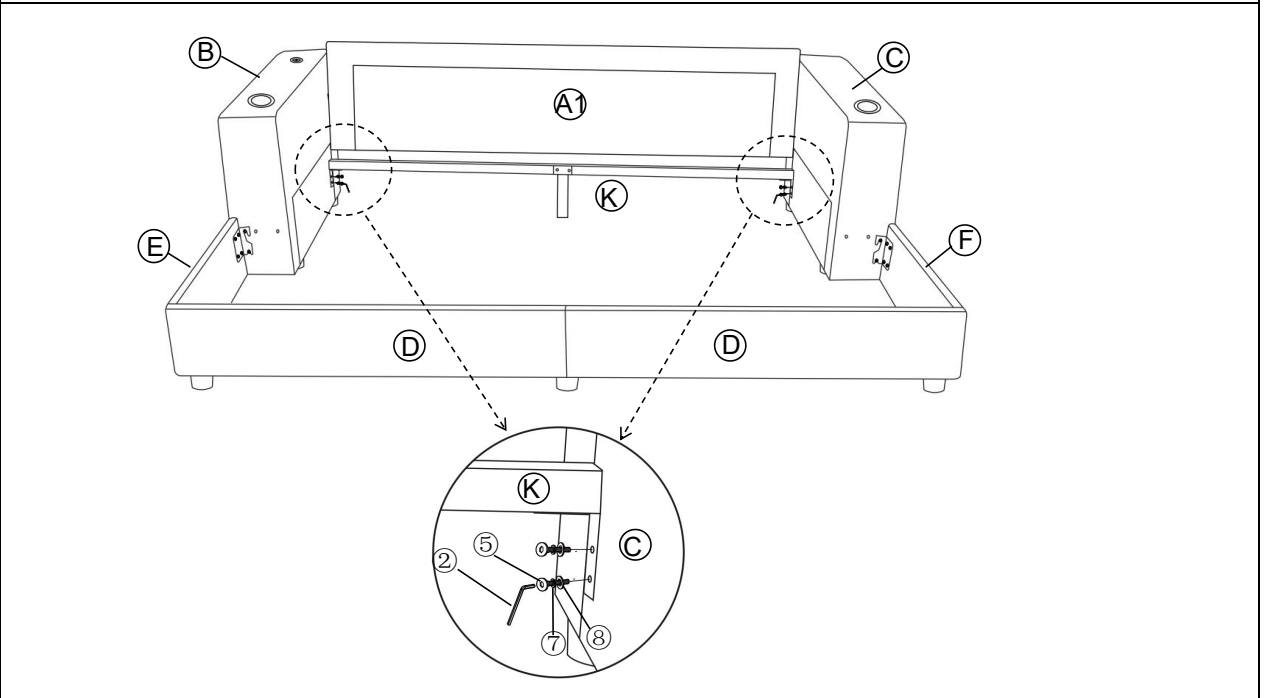
Step 13



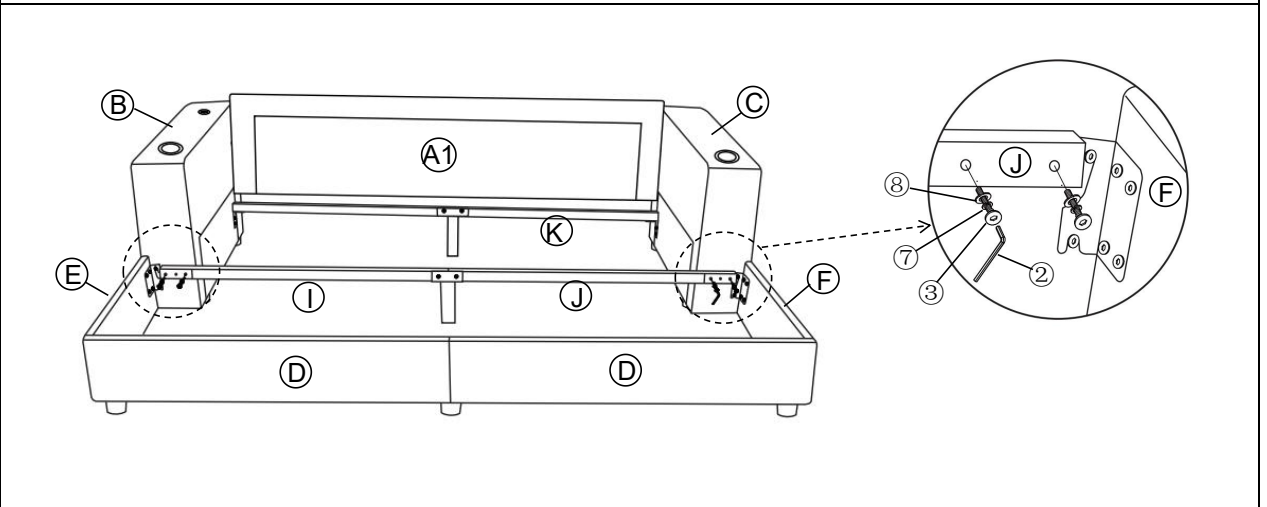
Step 14



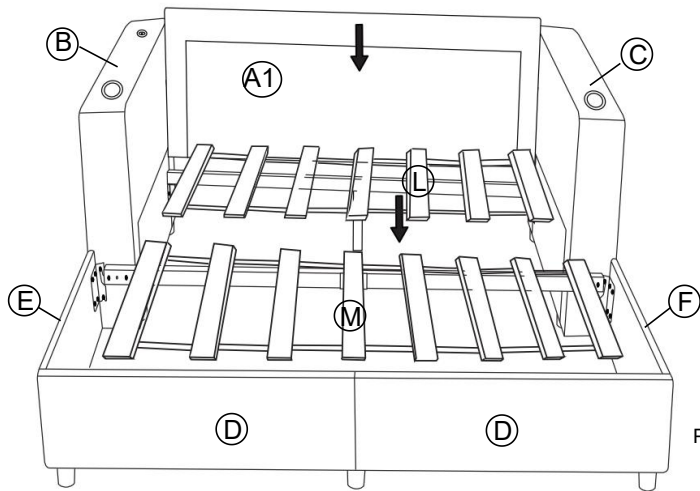
Step 15



Step 16

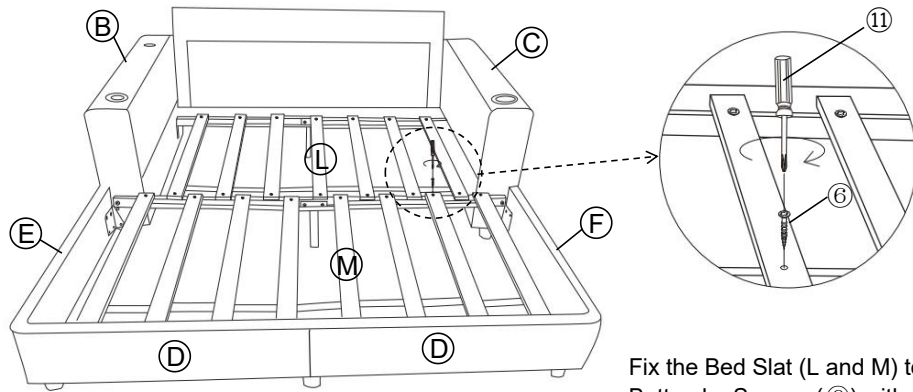


Step 17



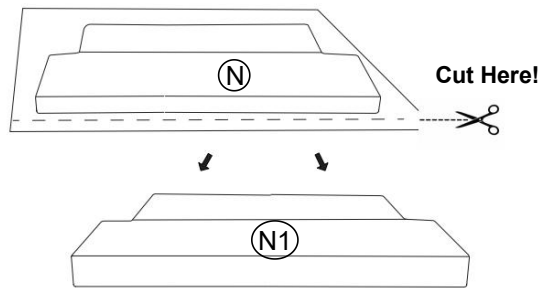
Put the Bed Slat (L and M) on chaise.

Step 18



Fix the Bed Slat (L and M) to Wooden Batten by Screws (6) with Screwdriver

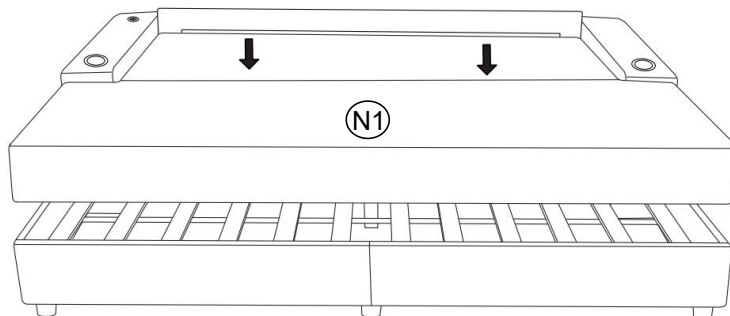
Step 19



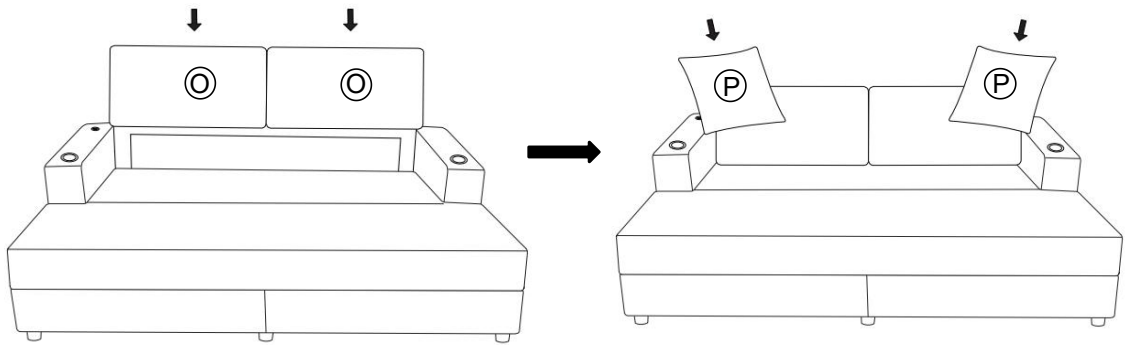
72h

Pat to make it fluffy and assist with regaining its original shape.

Step 20



Step 21



Step 22

