

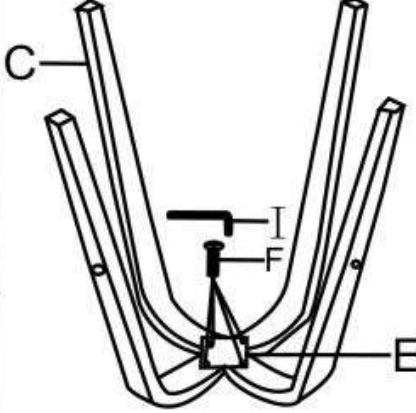
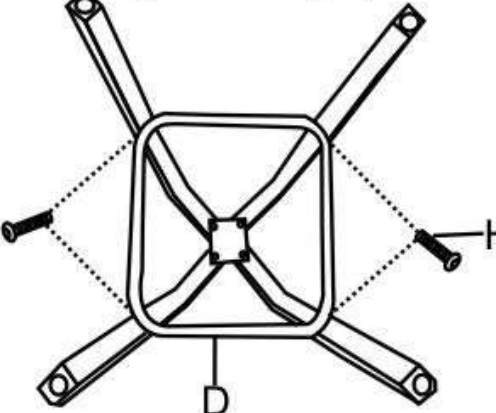
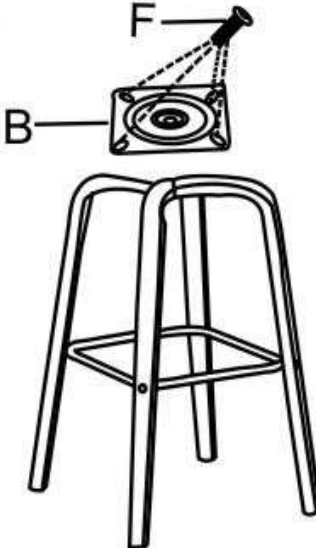


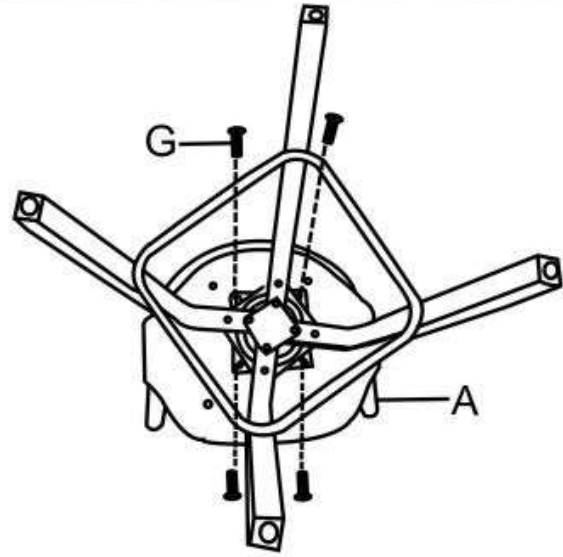
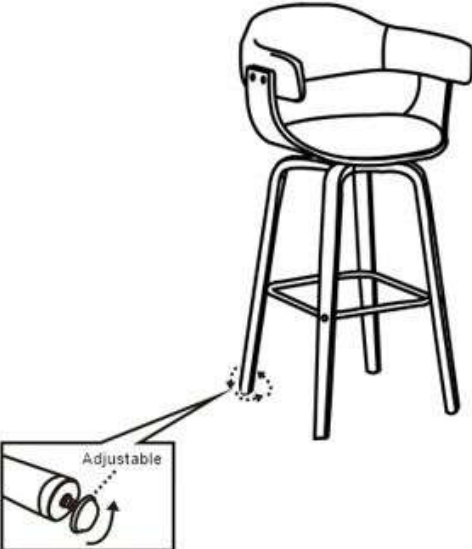

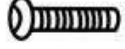




<p>A*1</p> 	<p>F*8</p>  <p>M6*25MM</p>	<p>1</p> <p>Please do tighten bolts 70%</p> 	<p>2</p> <p>Please do not tighten bolts until they are on right position</p> 	<p>3</p> 
<p>B*1</p> 	<p>G*4</p>  <p>M6*18MM</p>	<p>4</p> 	<p>5</p> 	
<p>C*4</p> 	<p>H*4</p>  <p>M6*35MM</p>	<p>D*1</p> 	<p>I*1</p> 	<p>E*1</p> 