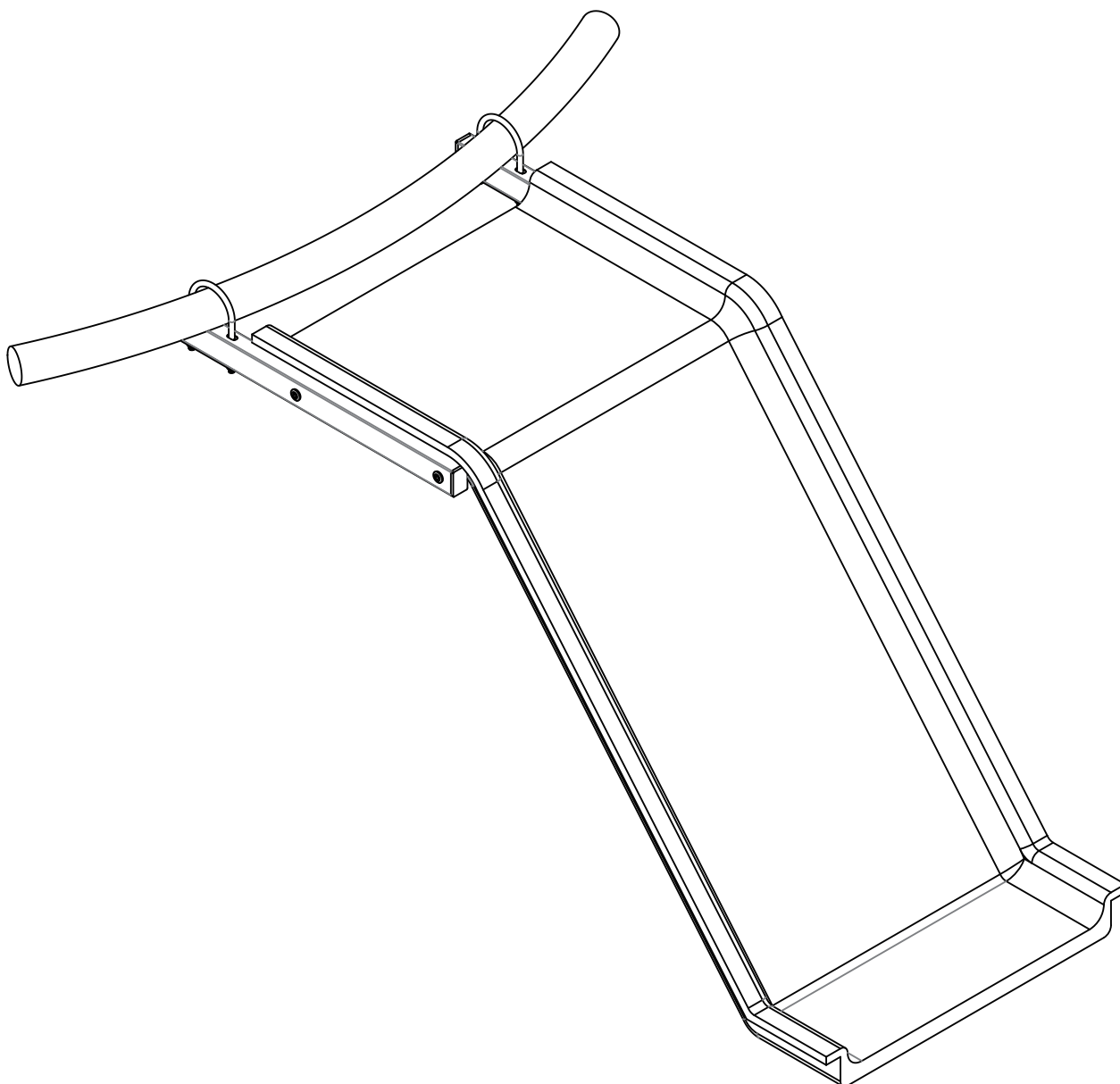


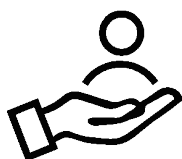
Assembly instruction



Children should be accompanied by adults while playing



“

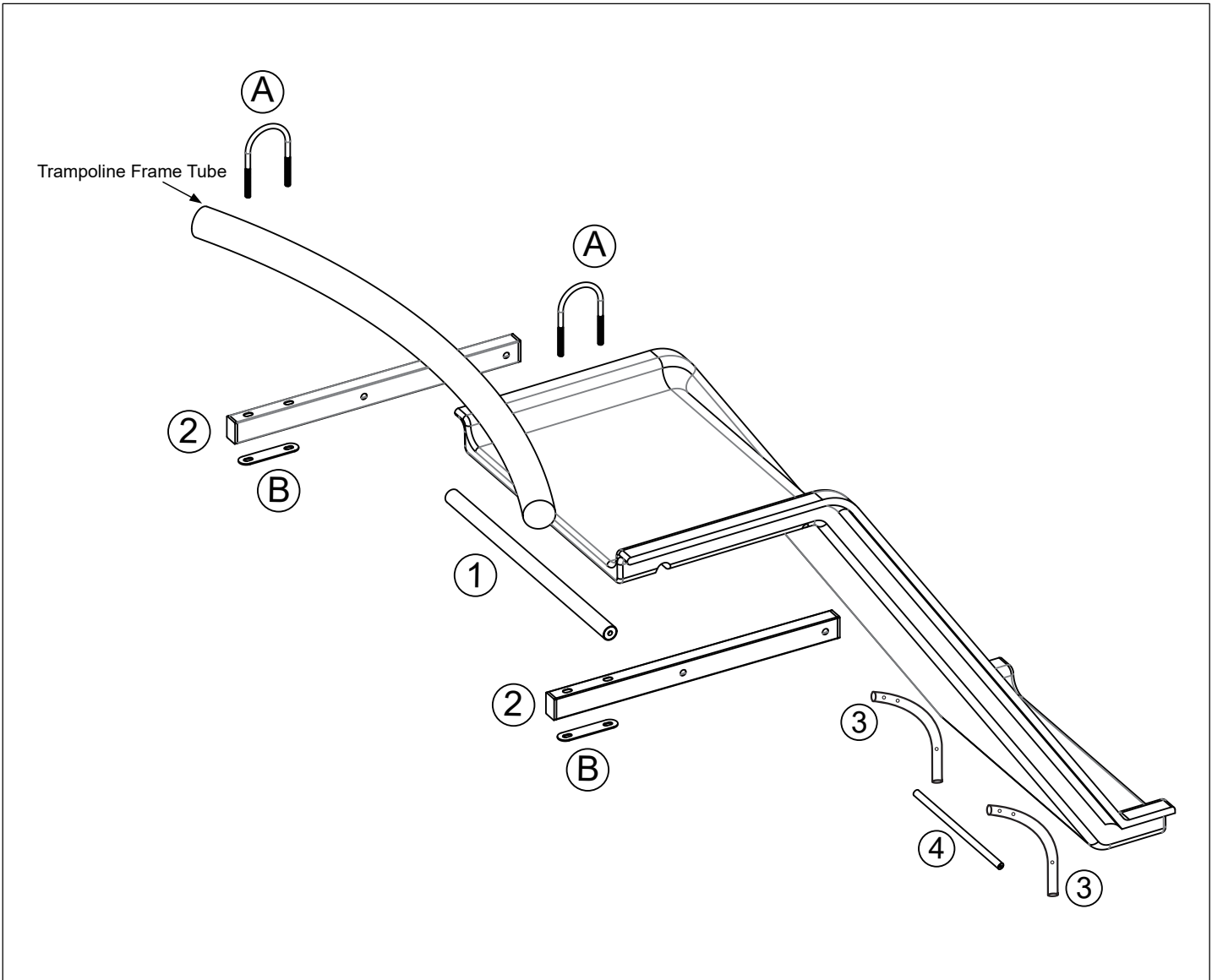


Warm Reminder

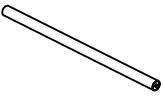
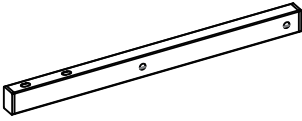
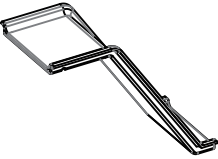
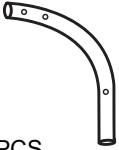
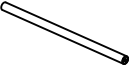

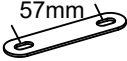



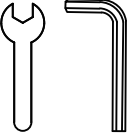
If you experience any issues with our product (including missing parts, damage, or not meeting expectations), please contact us. We'll ensure satisfactory assistance within 24hours.

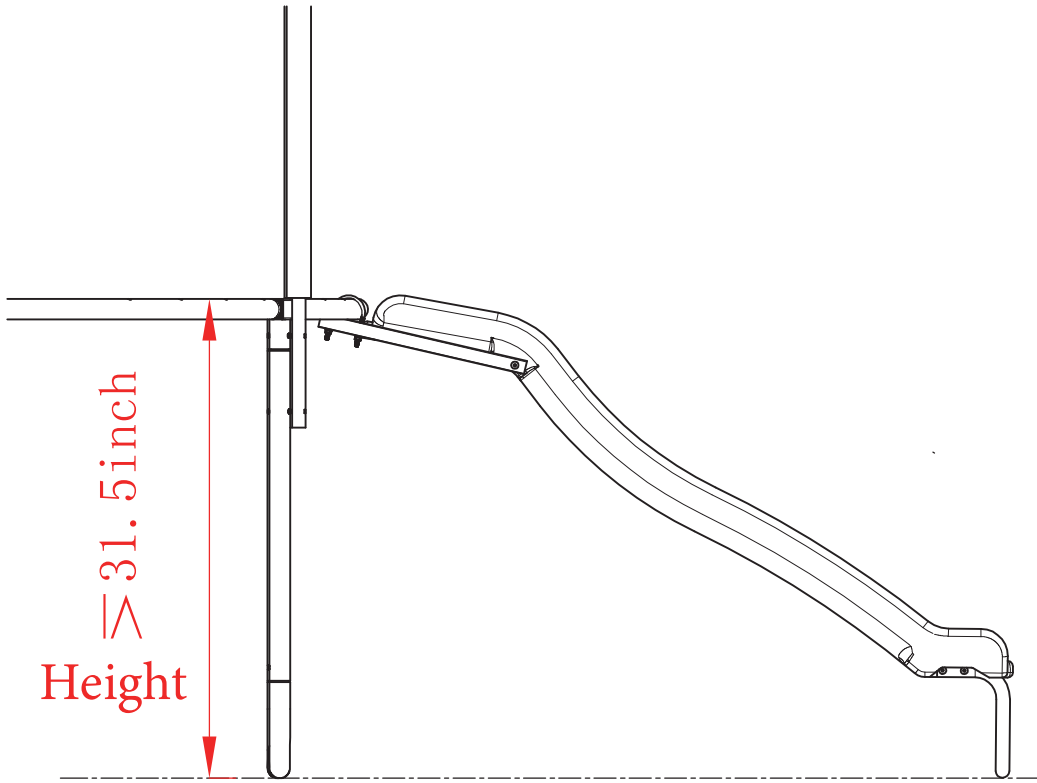
Email: asalesvip77@gmail.com

”

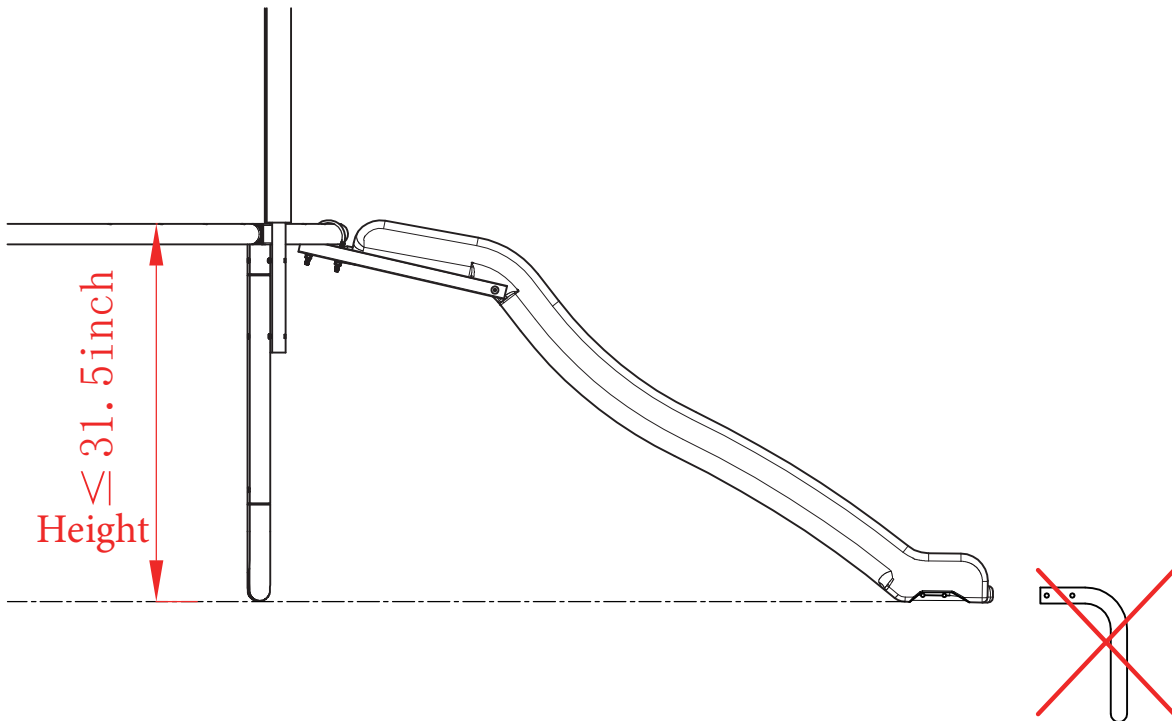


Part list

<p>①</p>  <p>1PCS (long)</p>	<p>②</p>  <p>2PCS</p>	 <p>Trampoline Slide</p>	<p>③</p>  <p>2PCS</p>
<p>④</p>  <p>1PCS(short)</p>	<p>Ⓐ</p>  <p>M6 50*90mm 2PCS</p>	<p>Ⓑ</p>  <p>57mm 2PCS</p>	<p>Ⓒ</p>  <p>M6 110mm 2PCS</p>
<p>Ⓓ</p>  <p>M6 35mm 4PCS</p>	<p>Ⓔ</p>  <p>M6 60mm 4PCS</p>	<p>Ⓕ</p> 	

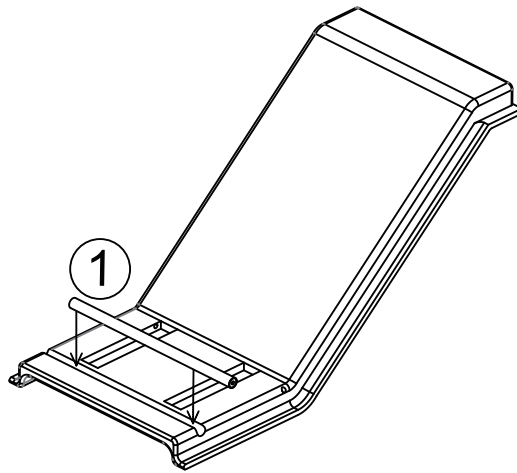


If the trampoline is higher than 31.5 inches, you need to install the bottom bracket of the slide

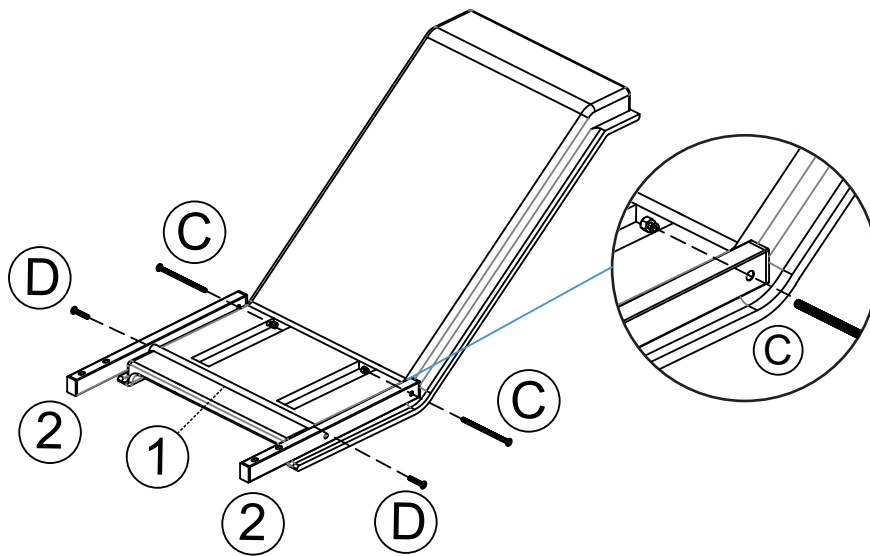


If the trampoline is less than 31.5 inches tall, the slide bottom bracket is not required.

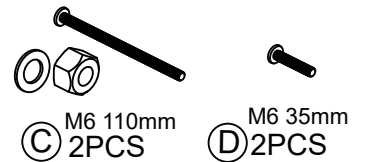
Step 1:



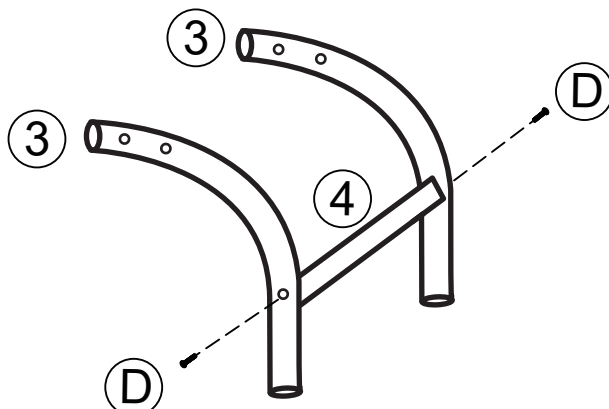
Step 2:



Please tighten the screws to 80% first, and tighten all screws 100% after all parts are assembled.



Step 3: Slide bottom bracket assembly (trampoline height greater than 31.5 inches requires bottom bracket installation)

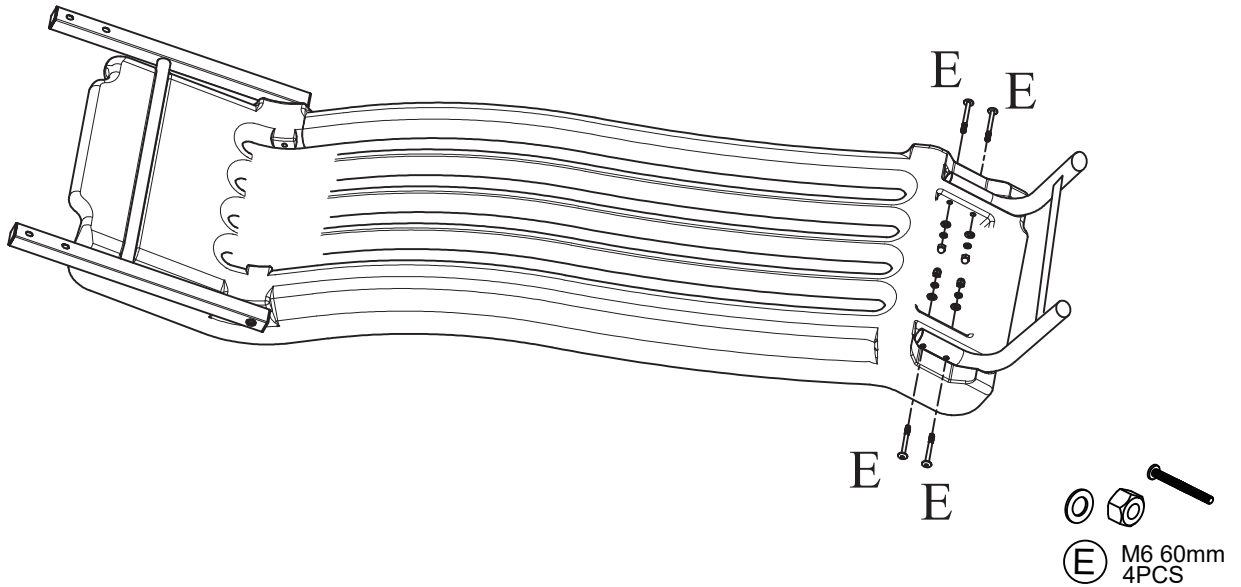


Please tighten the screws to 80% first, and tighten all screws 100% after all parts are assembled.

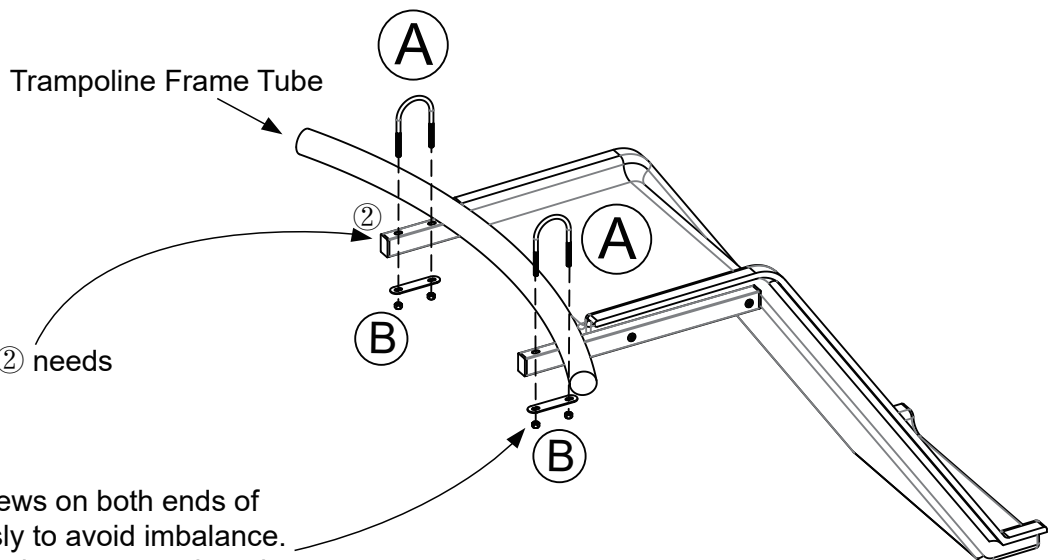


Step 4

Trampoline height greater than 31.5 inches requires bottom bracket installation



Step 5:



When installing, Pipe ② needs to avoid the springs

Please tighten the screws on both ends of Clamp Ⓐ simultaneously to avoid imbalance. Over-tightening one end may cause the other end to become too short.

