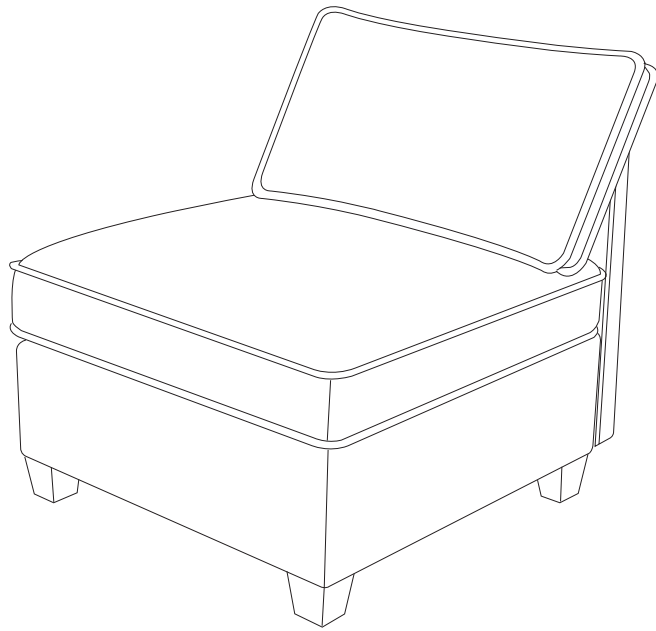



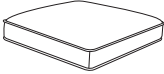

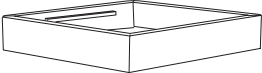



# Assembly Instructions

Note: Please help to read my instruction before you ready to assemble.



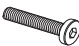





## Sofa



## Part List

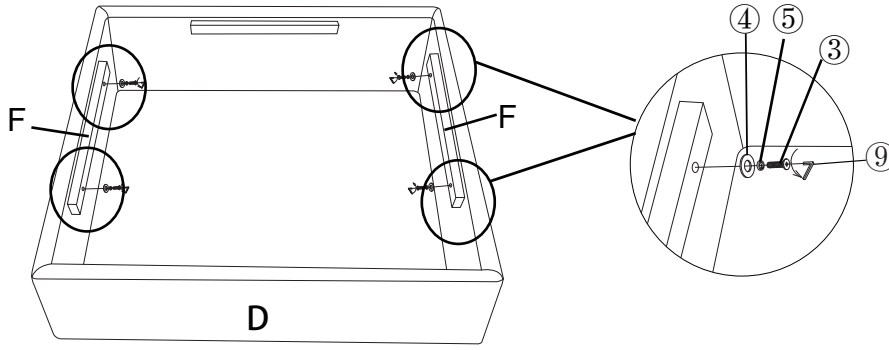
Label	Picture	Description	QTY (PCS)
A		Back Cushion	2
B		Seat Cushion	2
C		Arm / Backrest	2
D		Seat Frame	2
E		Seat Panel	2
F		Wood Batten	4
G		Leg	8

## Hardware List

①		Plastic Washer	9
②		Metal Hook	4
③		Bolt(M6*35MM)	9
④		Flat Washer(M6)	9
⑤		Spring Washer(M6)	9
⑥		Bolt(M6*20MM)	13
⑦		Metal Connector	2
⑧		Plastic Clip	2
⑨		Allen Wrench(S4)	1

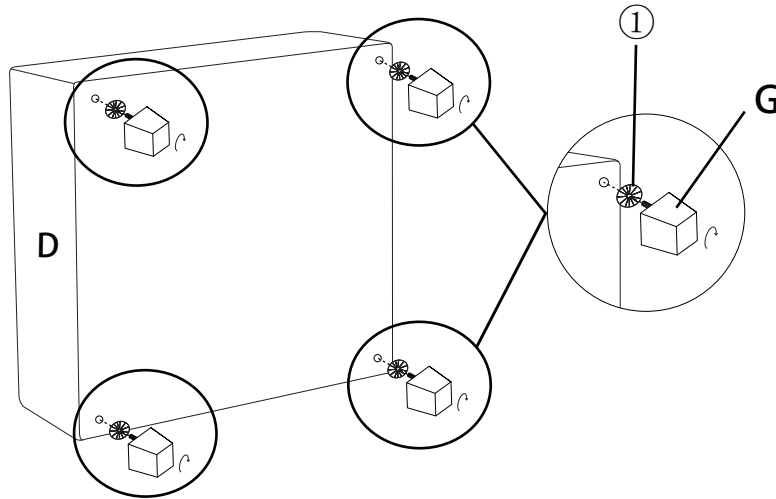
STEP 1

x2



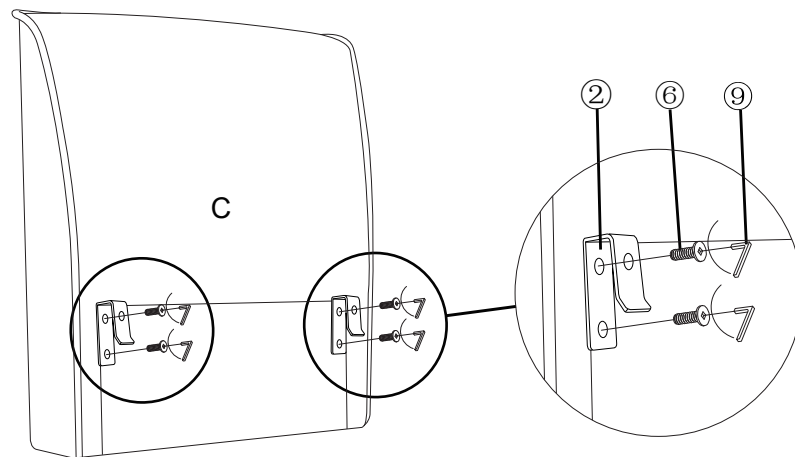
STEP 2

x2



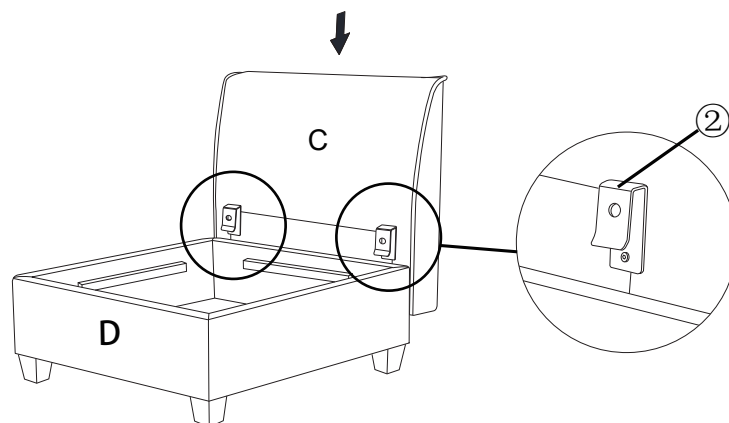
STEP 3

x2



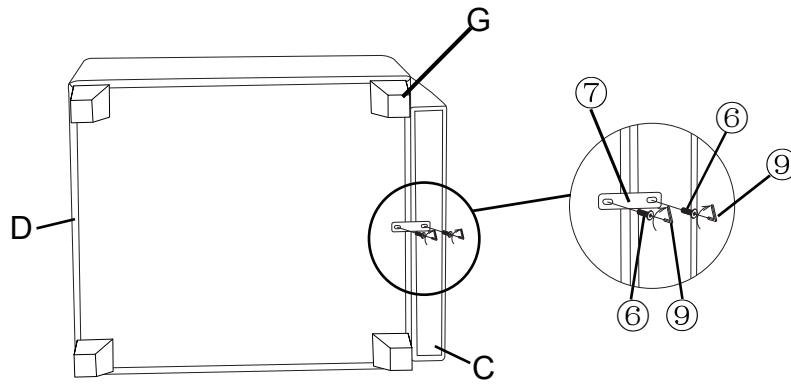
STEP 4

x2



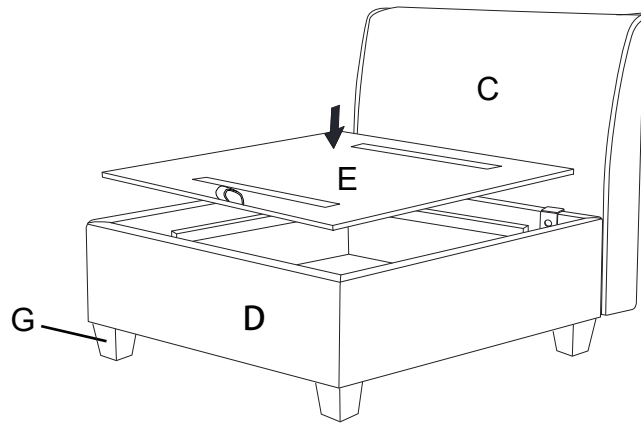
STEP 5

X2

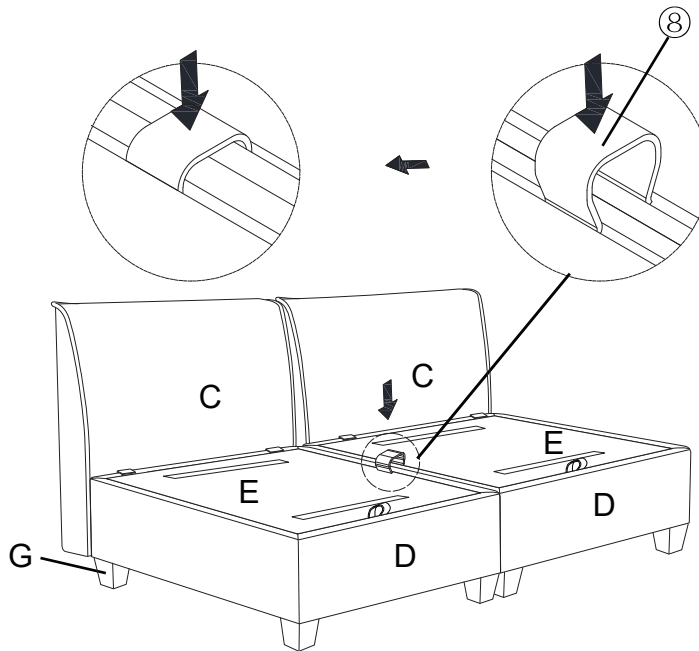


STEP 6

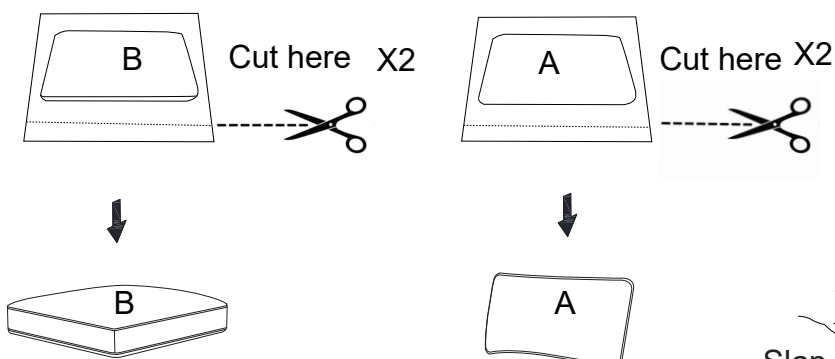
X2



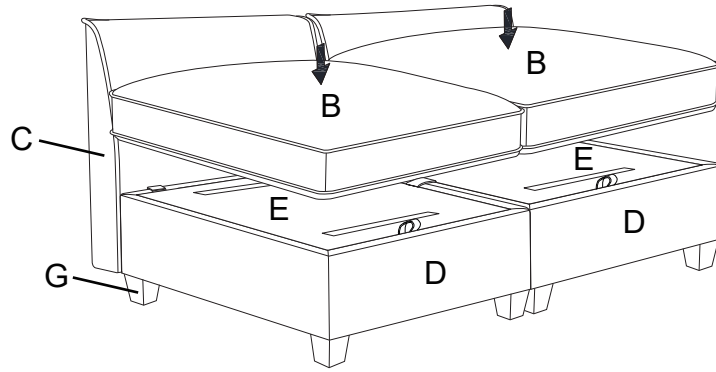
STEP 7 8



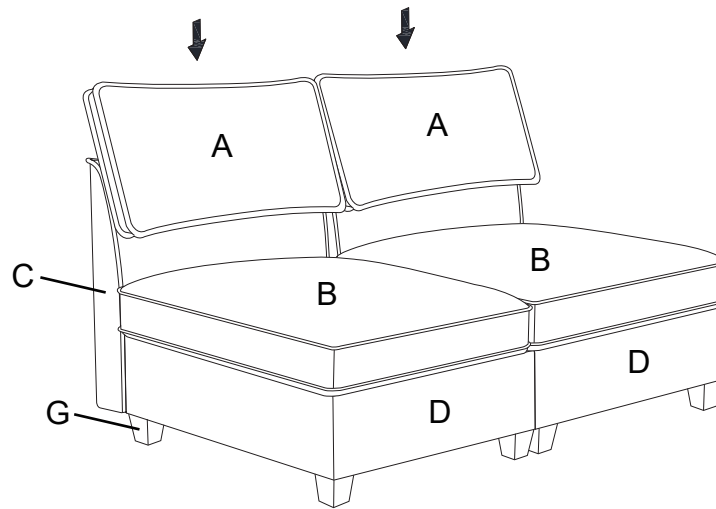
STEP 8 9



# STEP 9



# STEP107



# STEP 11

