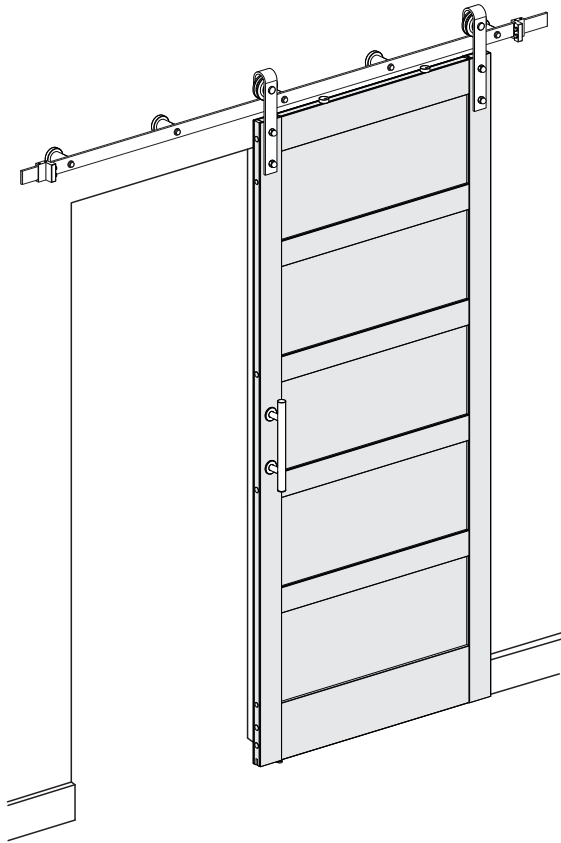


Installation Manual

Any question please contact us
yoursupport@163.com

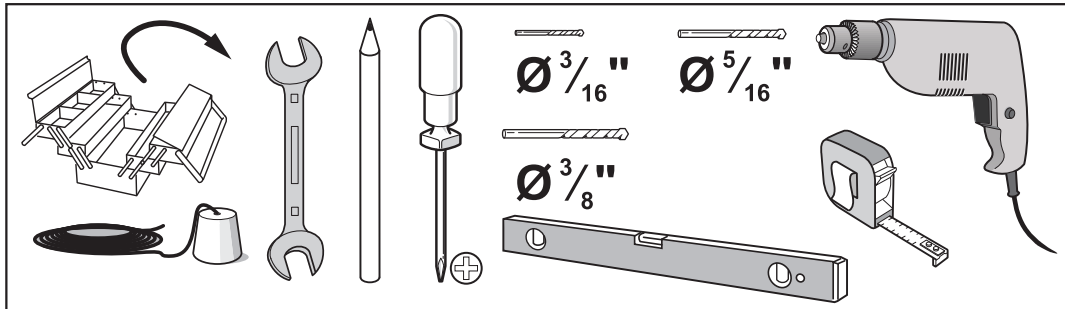


NOTICE Please retain these instructions for future reference.

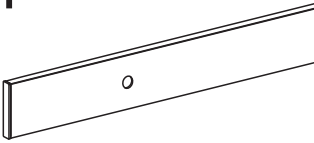

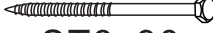
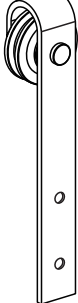

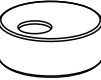

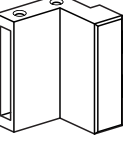
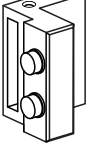
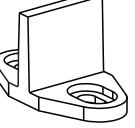

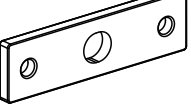

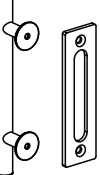

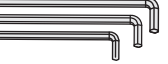
- Do not stand on or use any part of this item as a step ladder.
- Firmly secure all bolts, screws and knobs before use.
- Reconfirm that all bolts, screws and knobs are secure every 90 days.
- Fasten screws loosely during initial assembly. Do not firmly tighten the screws until the item is completely assembled.
- Do not use or store this item in the proximity of open flame or combustible chemicals.
- Be aware that some parts are heavy and have sharp edges.
- If any parts are missing, broken, damaged, or worn, please contact us for assistance.
- Do not use this item in a way inconsistent with the manufacturer's instructions as this could void the product warranty.

Pre-installation

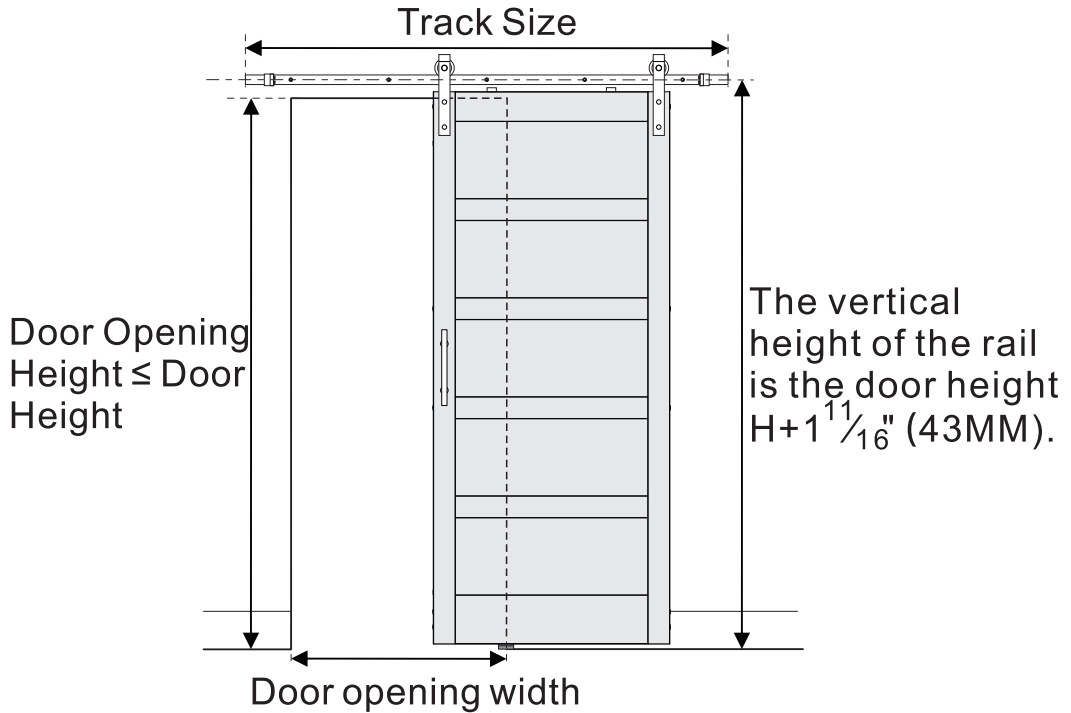
TOOLS REQUIRED



HARDWARE INCLUDED

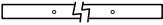

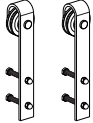
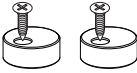
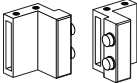
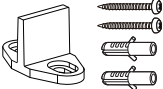
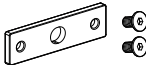
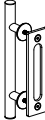
1 	2  $\text{Ø } 8 \times 50$  ST8x90	3   M10x60
4  ST4x20	5  M5x6  	
6  ST4.2x25  $\text{Ø } 6 \times 35$	7   M6x5	8   M8x60
9  2.5MM 3MM 5MM		

Measurements

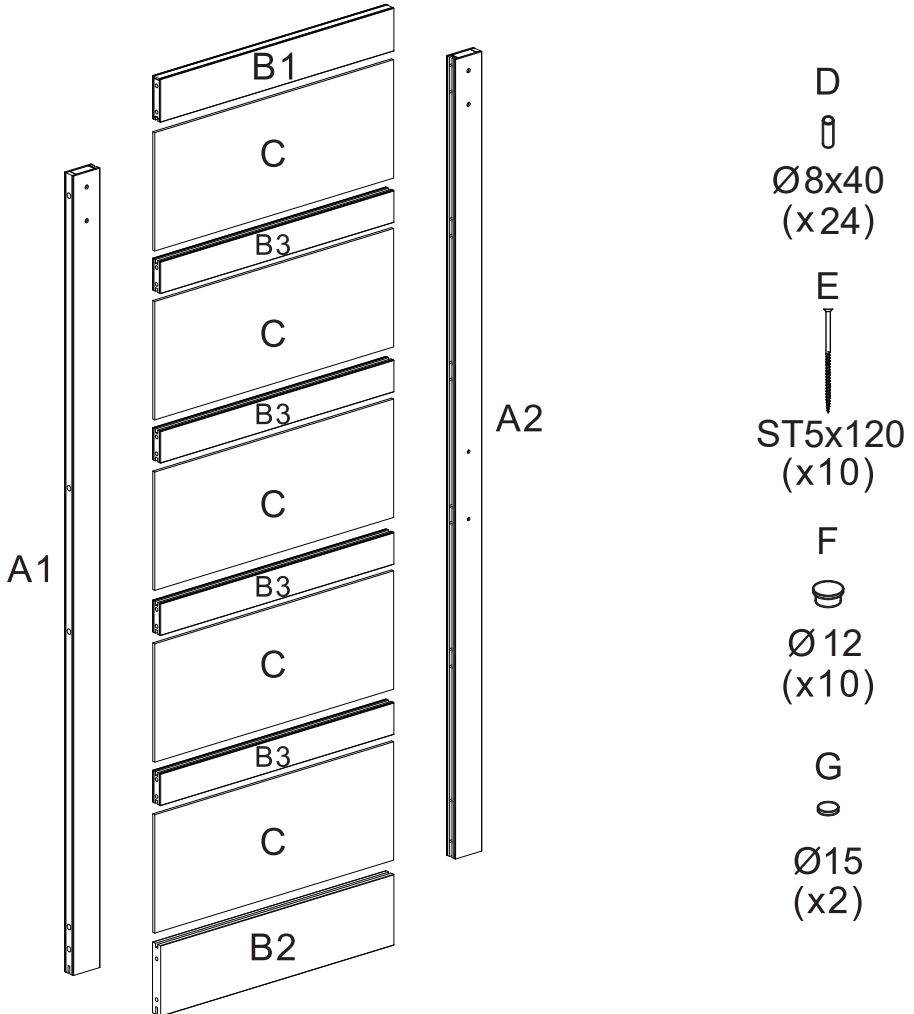


Door Width	Track Size	Door Opeing Width
24"	4FT	$\leq 22''$
26"	5FT	$\leq 24''$
28"	5FT	$\leq 26''$
30"	5.5FT	$\leq 28''$
32"	5.5FT	$\leq 30''$
34"	6FT	$\leq 32''$
36"	6.6FT	$\leq 34''$
38"	6.6FT	$\leq 36''$
40"	7FT	$\leq 38''$
42"	7FT	$\leq 40''$
48"	8FT	$\leq 46''$

PARTS LIST

Track Size	4FT	5FT	5.5FT	6FT	6.6FT	7FT	8FT
Track 	1	1	1	1	1	1	2
Spacer 	3	4	4	5	5	5	6
Hangers and bolts 	1Pair	1Pair	1Pair	1Pair	1Pair	1Pair	1Pair
Anti jump pads 	1Pair	1Pair	1Pair	1Pair	1Pair	1Pair	1Pair
Door stoppers 	1Pair	1Pair	1Pair	1Pair	1Pair	1Pair	1Pair
Floor guide 	1	1	1	1	1	1	1
Track connector 	1	1	1	1	1	1	2
Handle 	1	1	1	1	1	1	1

PARTS			PARTS		
		QTY			QTY
A1	Left Side Stile	1	C	Glass Panel	5
A2	Right Side Stile	1	D	Corks	24
B1	Top Rail	1	E	Screws	10
B2	Bottom Rail	1	F	Plastic Plugs	10
B3	Middle Rail	4	G	Door Bumpers	2



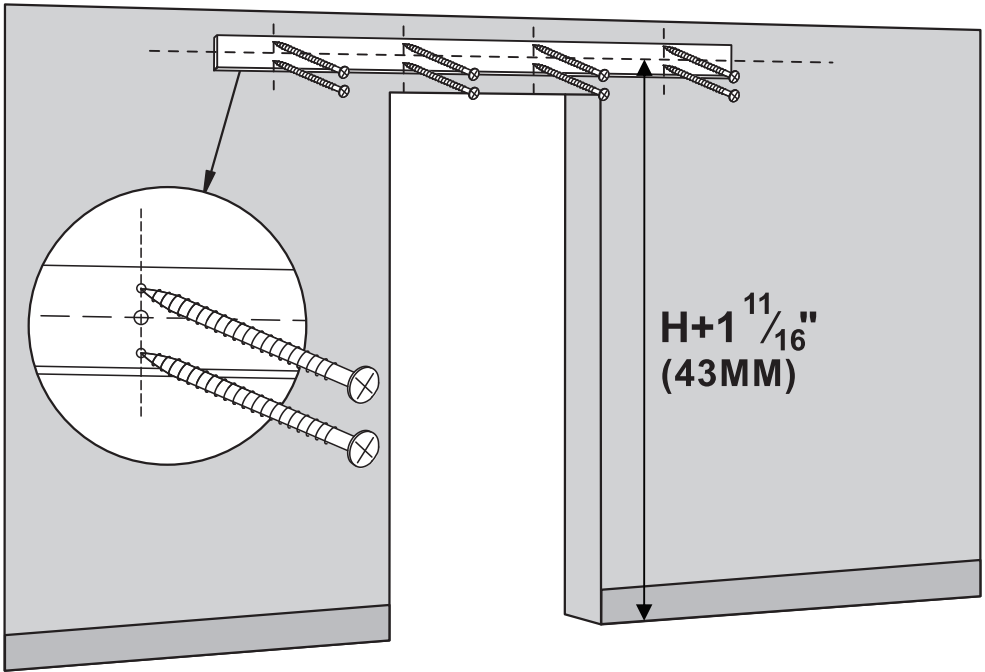
Installation suggestions

Sometimes there will be some issues when install the track such as a mismatch between studs and pre-drilled holes on the track.

To avoid that we recommend using a head board on all installation scenario.

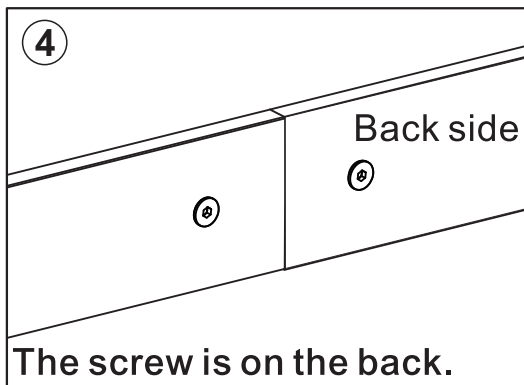
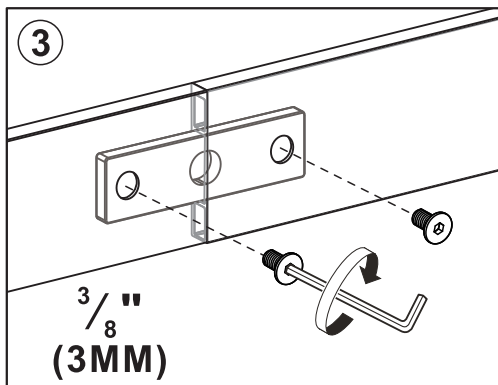
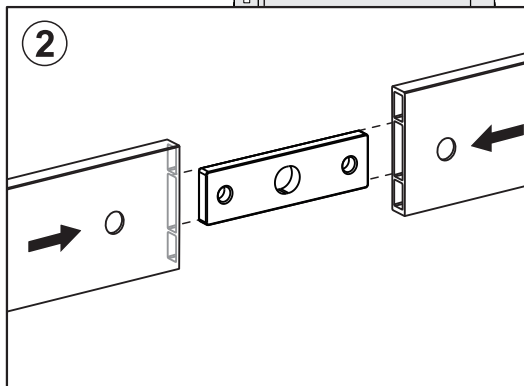
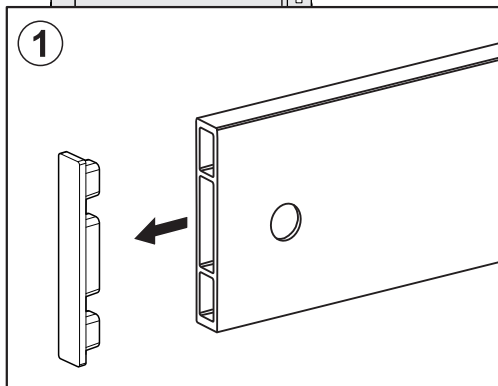
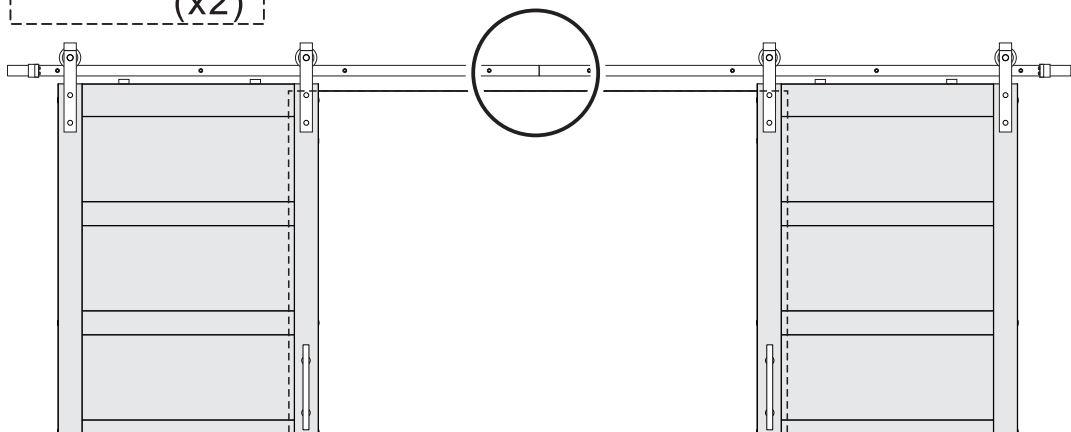
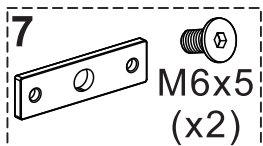
The size of the head board should better be 1"x4" or 1"x6" and a bit longer than the track.

***Please note that the head board and matched screws are not included.**



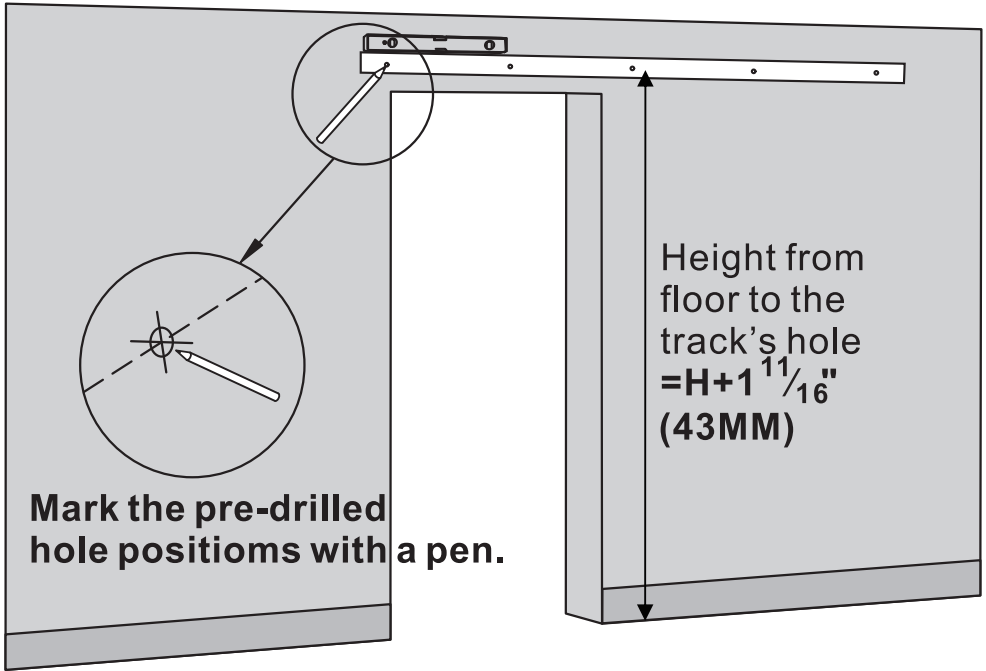
Only for 2 doors

If you have 2 sets. Please remove the plastic cover at the end of the track. Then connect the rails with connectors.



Step-1

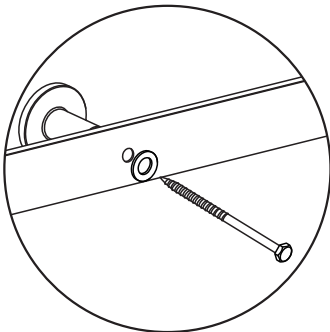
Place the track $H+1\frac{11}{16}$ " above the floor and mark the position of the spacer holes.



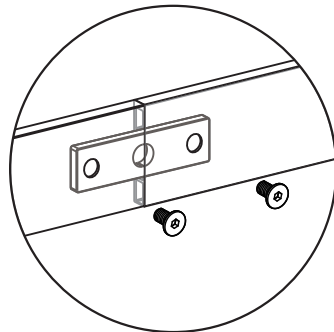
Track installation types

If the rail is too long, the whole rail will be combined with pieces.

One-piece Track



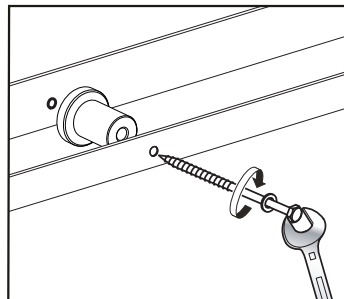
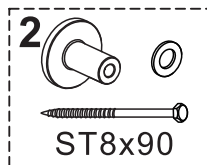
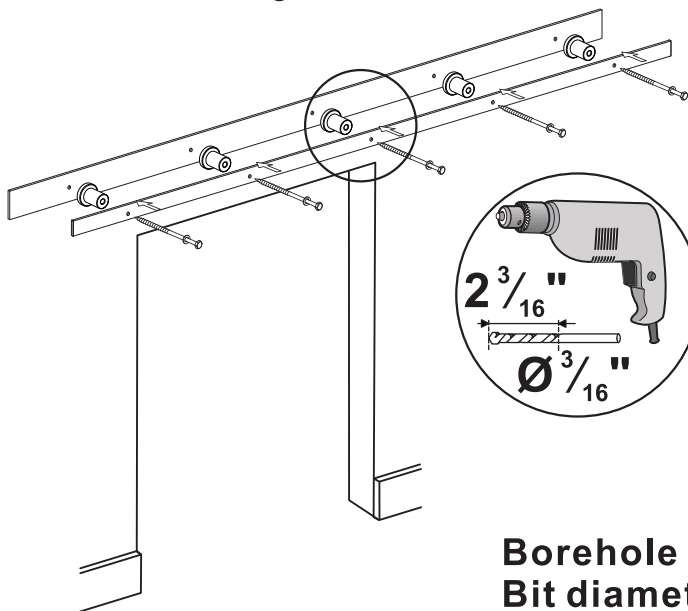
Connector connection



Step-2

① Drywall Installation

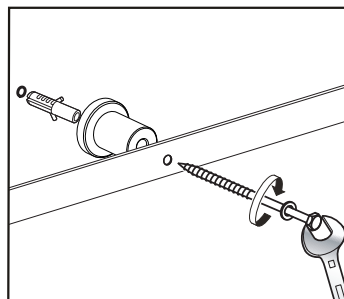
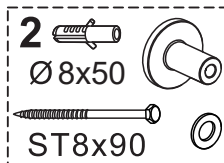
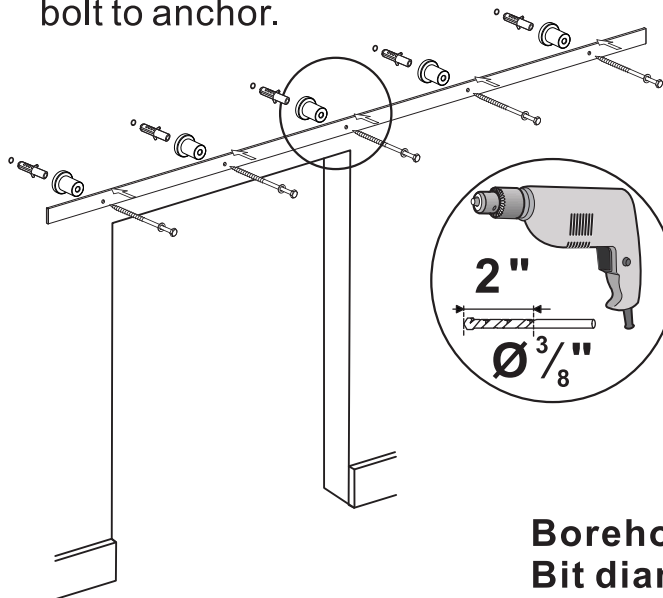
Install the lag bolt to wood stud or head board directly.



Borehole depth: $2 \frac{3}{16}$ " (55MM)
Bit diameter: $\frac{3}{16}$ " (4.8MM)

② Concrete wall Installation

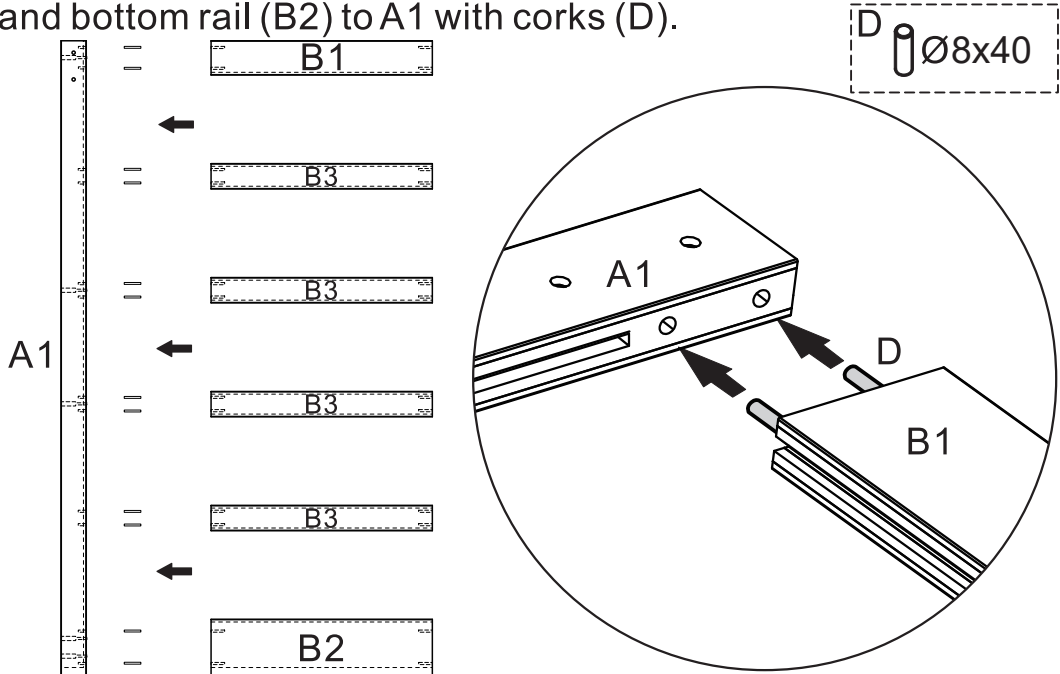
Install the anchor to holes on the wall first, then install lag bolt to anchor.



Borehole depth: 2" (50MM)
Bit diameter: $\frac{3}{8}$ " (10MM)

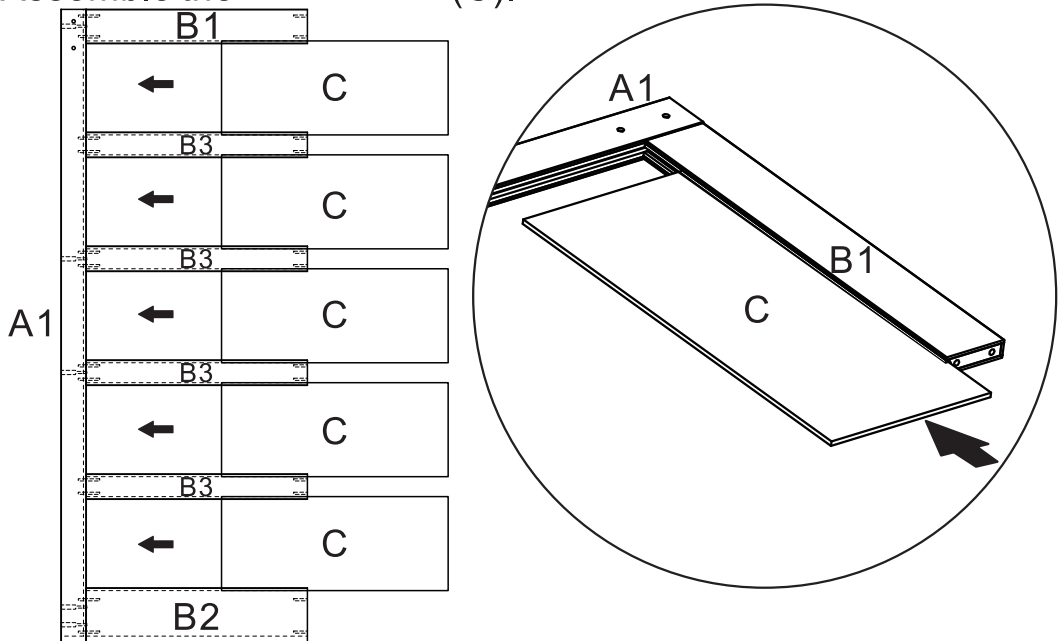
Step-3

On the flat, lay out one side stile (A1) with the groove facing to the right. Assemble top rail (B1), middle rail (B3, B4) and bottom rail (B2) to A1 with corks (D).



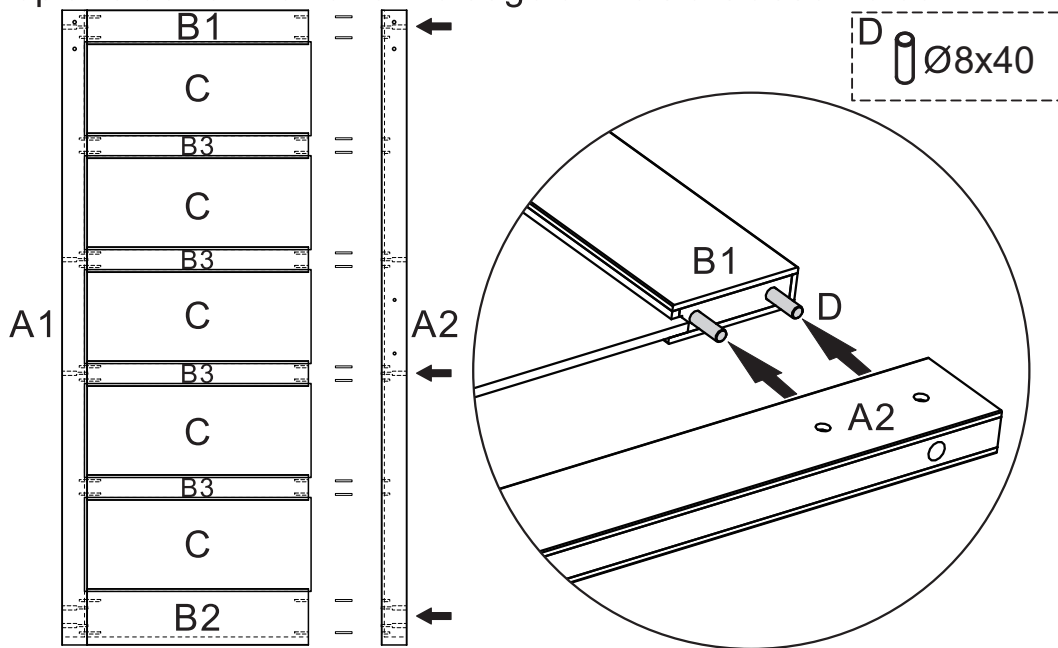
Step-4

Assemble the Glass Panel (C).



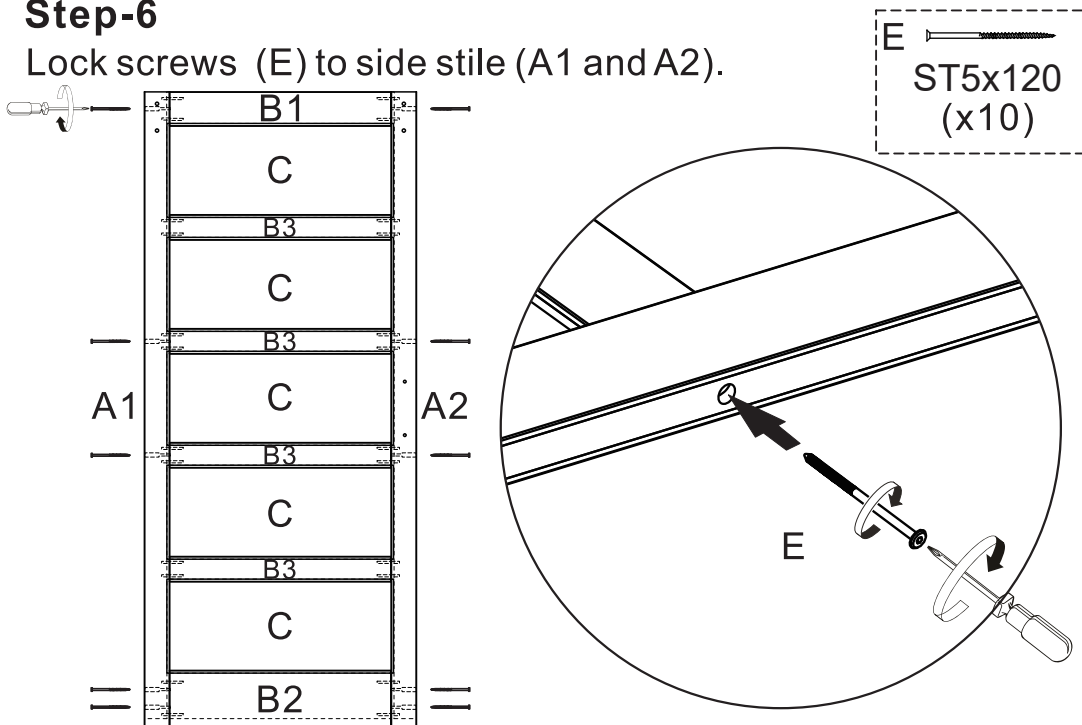
Step-5

Assemble the right side stile (A2) with corks (D) to cover the top and bottom rail and the edge of the slats assembled.



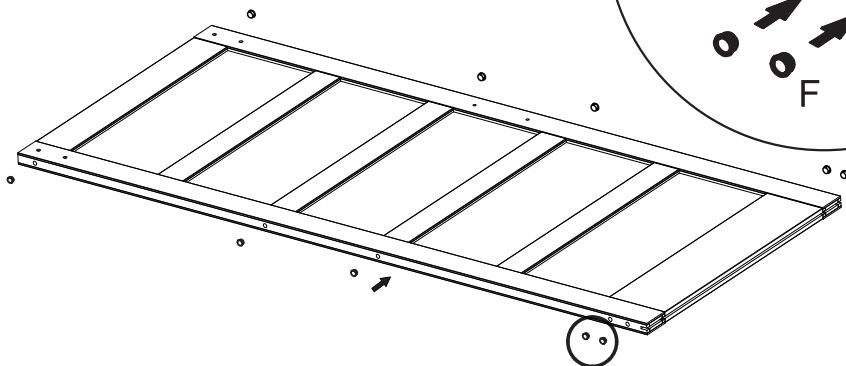
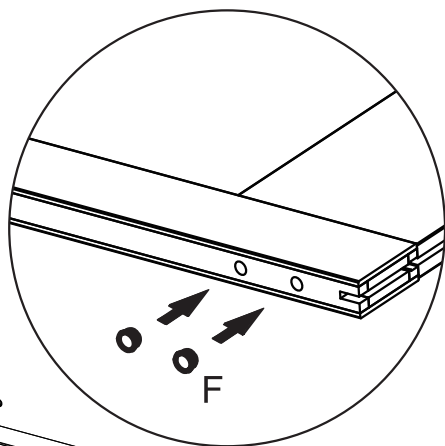
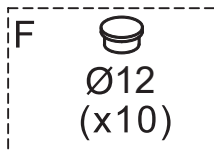
Step-6

Lock screws (E) to side stile (A1 and A2).



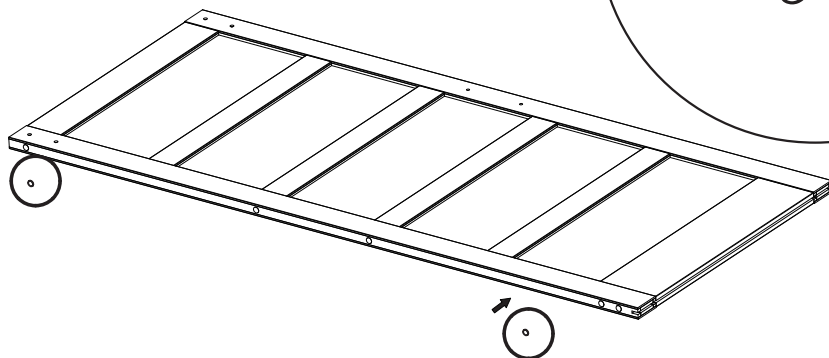
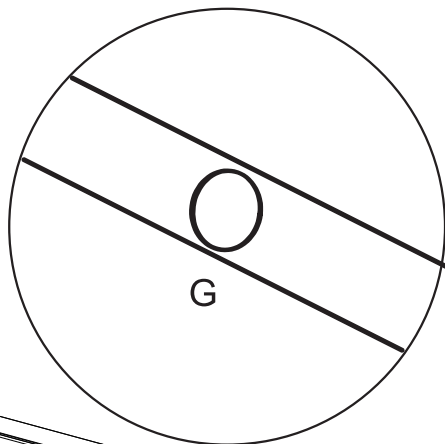
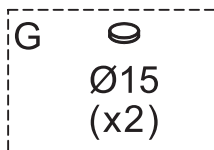
Step-7

Cover the plastic plugs (F).



Step-8

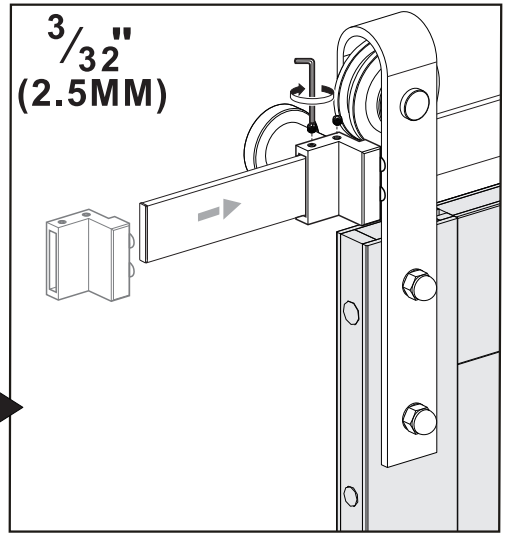
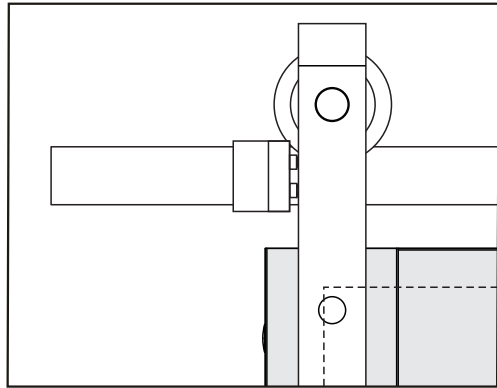
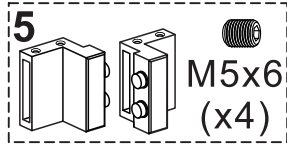
Stick the door bumpers (option), which can prevent two doors from colliding.



Step-9

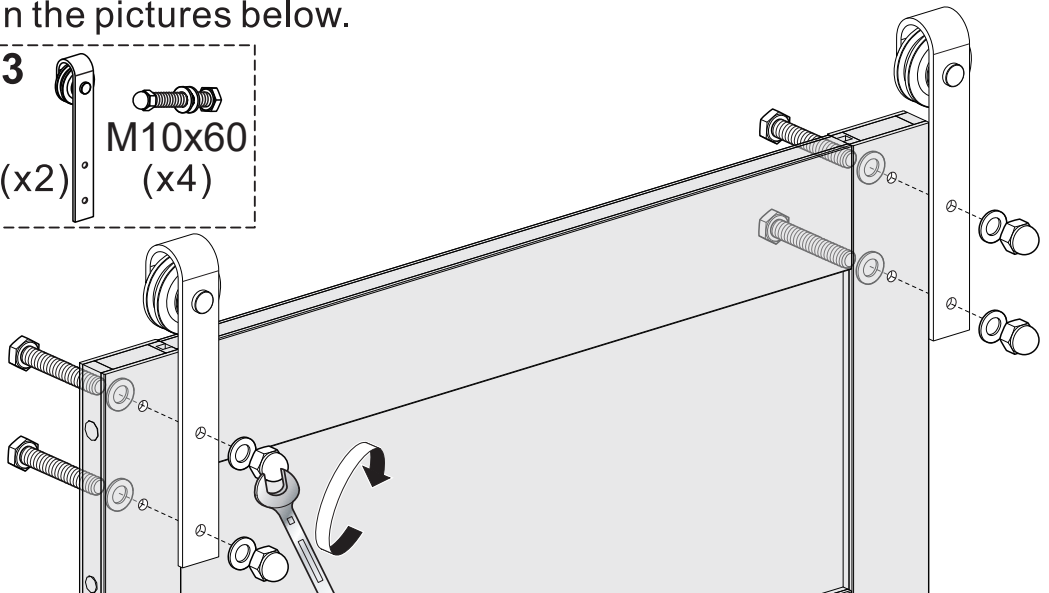
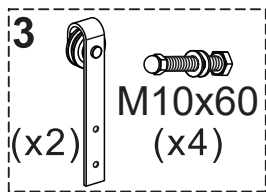
Insert door stoppers into rail.

Door stopper is used to prevent the hangers sliding off the rail.



Step-10

Install the hangers into the door according to the measurement in the pictures below.

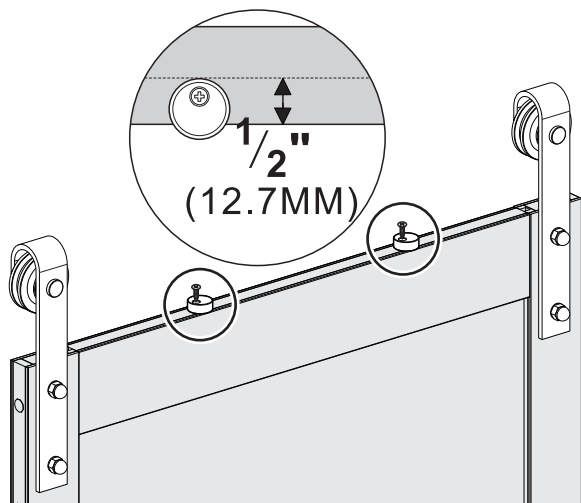
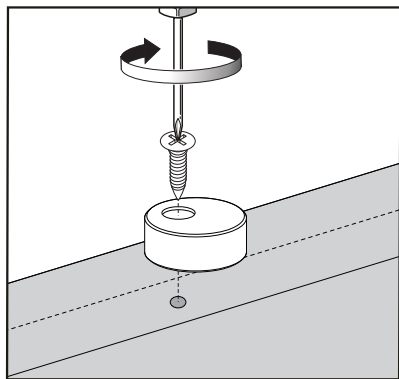
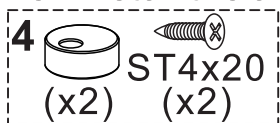


Step-11

The anti jump pads are used to prevent the door from lifted off the rail when sliding the door.

Please drill the holes $\frac{1}{2}$ " away from the edge of the door.

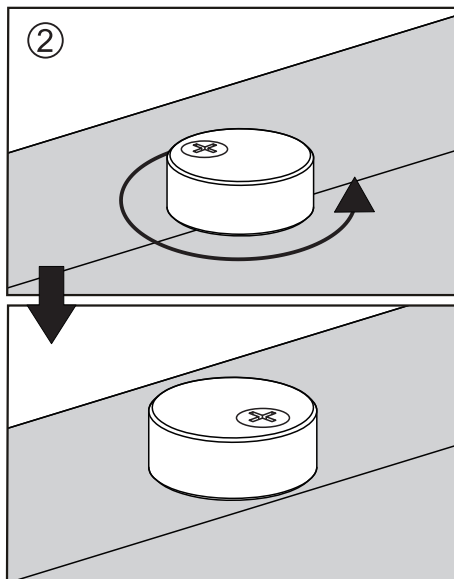
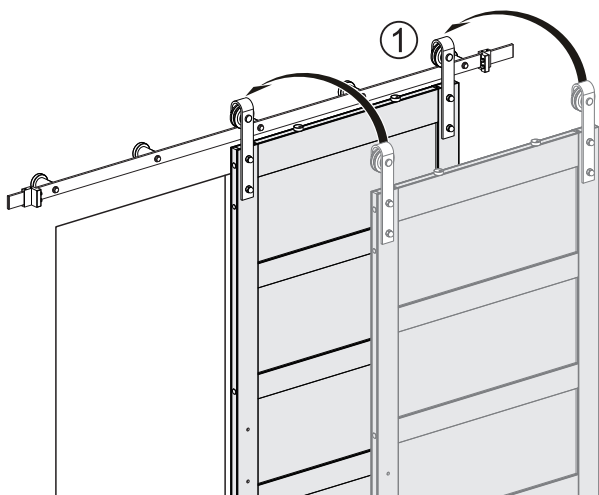
Then install the anti jump pads on the top of the door.



Step-12

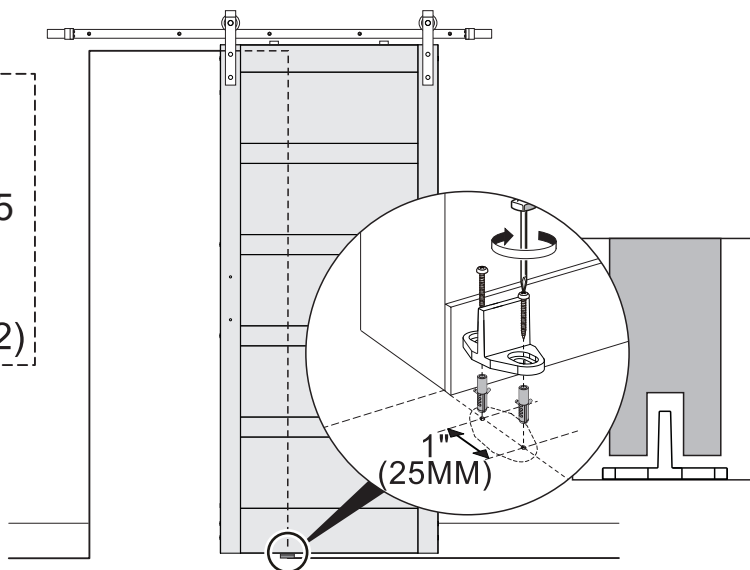
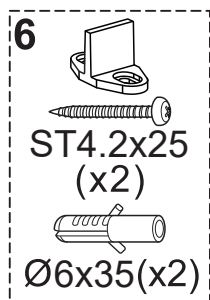
Hang the door on the rail.

Turn the anti jump pads approximately 180 degrees so that they are stuck between the door and the rail.



Step-13

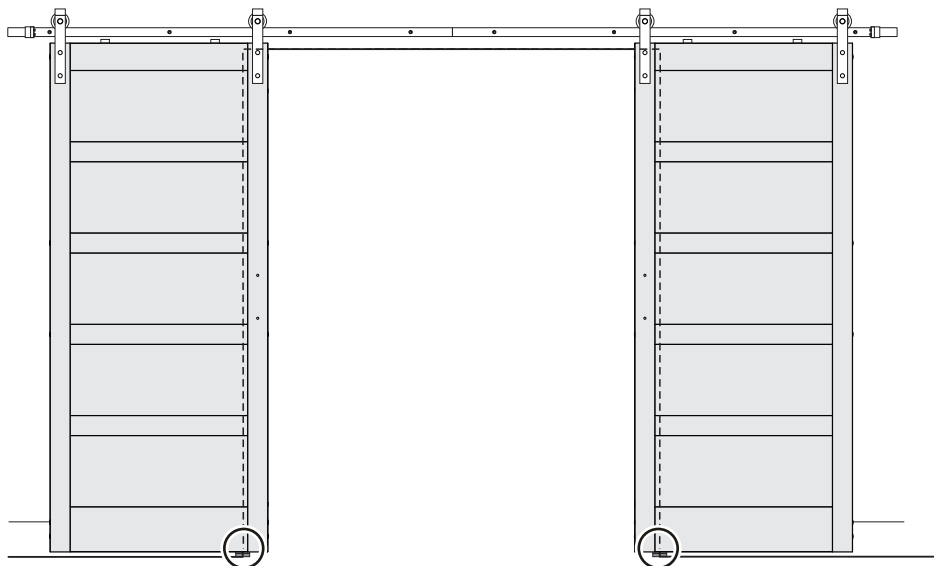
Install floor guide. Floor guide can keep your door stable and prevent the door bottom swinging when use.



Borehole depth: $1 \frac{9}{16}$ " (40MM)

Bit diameter: $\frac{5}{16}$ " (8MM)

For 2 doors



Step-14

Install the handle.

