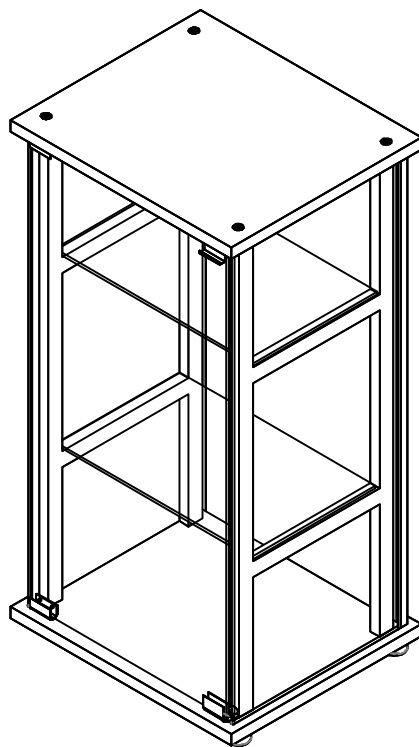


ASSEMBLY INSTRUCTIONS



Fine Furniture for every stage of life

CURIO CABINET

ASSEMBLY INSTRUCTIONS

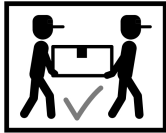
ASSEMBLY TIPS:

1. Remove hardware from box and sort by size.
2. Please check to see that all hardware and parts are present prior to start of assembly.
3. Please follow attached instructions in the same sequence as numbered to assure fast & easy assembly.



WARNING!

1. Don't attempt to repair or modify parts that are broken or defective. Please contact the store immediately.
2. This product is for home use only and not intended for commercial establishments.



ASSEMBLY TIME 50 MINUTES

PARTS IDENTIFICATION

A	DOOR GLASS 790x381mm		1PC
B	SIDE GLASS 810x345mm		2PCS
C	BACK GLASS 810x386mm		1PC
D	PLASTIC BAR		2PCS
E	INNER SHELF SUPPORT		2PCS
F	TOP WOOD PANEL		1PC
G	BOTTOM WOOD PANEL		1PC

ASSEMBLY INSTRUCTIONS

PARTS IDENTIFICATION







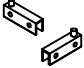








H

GLASS SHELF
382x250mm



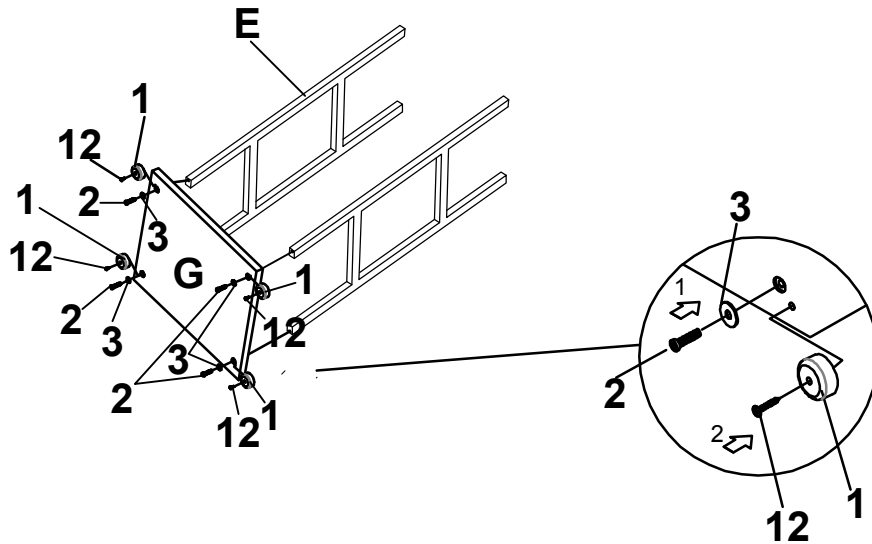
2PCS

HARDWARE IDENTIFICATION

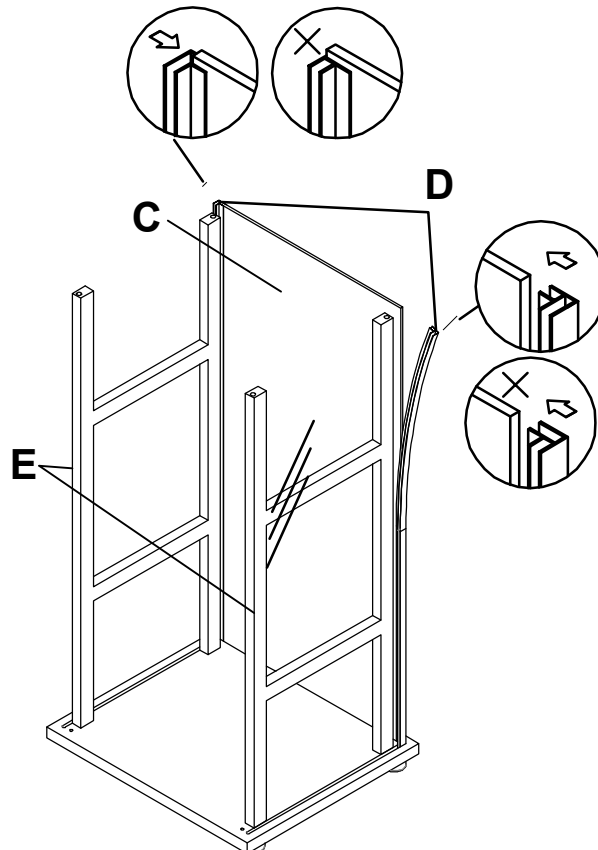
1	PLASTIC FEET ($\phi 44$ x 18mm)		4PCS	9	HANDLE (40mm)		1PC
2	BOLT-LARGE (1/4" x 1-3/4")		8PCS	10	METAL CONTACT (40mm)		1PC
3	WASHER (1/4" x 16mm)		8PCS	11	TWIN ADHESIVE (38 x 42mm)		2PCS
4	HINGE (40mm)		2PCS	12	SCREW ($\phi 8$ x 22mm)		4PCS
5	HINGE INSERT ($\phi 12$ x 9mm)		2PCS	13	SUCTION CUP ($\phi 12$ mm)		8PCS
6	METAL CONTACT (38mm)		2PCS	14	ALLEN KEY (4mm)		1PC
7	BOLT-SMALL ($\phi 7$ x 6mm)		4PCS	15	STICKER ($\phi 20$ mm)		4PCS
8	PLASTIC MAGNET (19mm)		2PCS				

ASSEMBLY INSTRUCTIONS

STEP 1

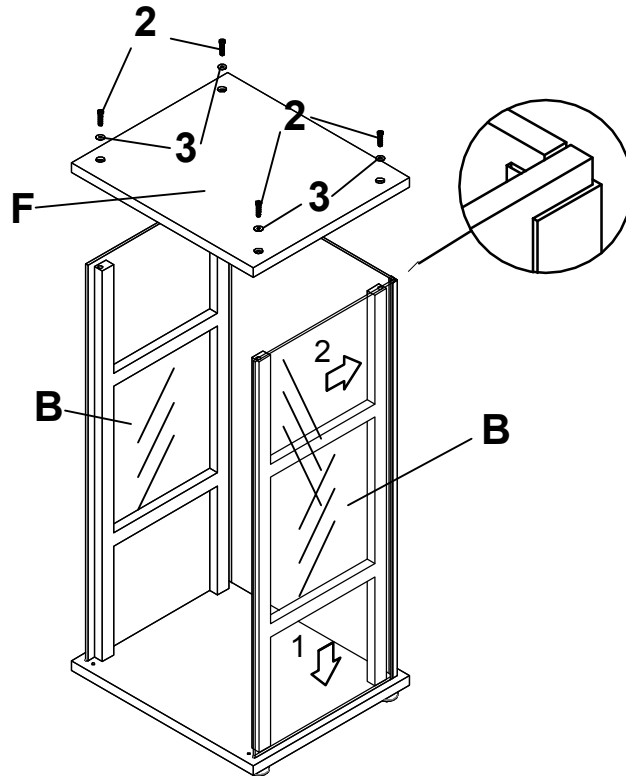


STEP 2

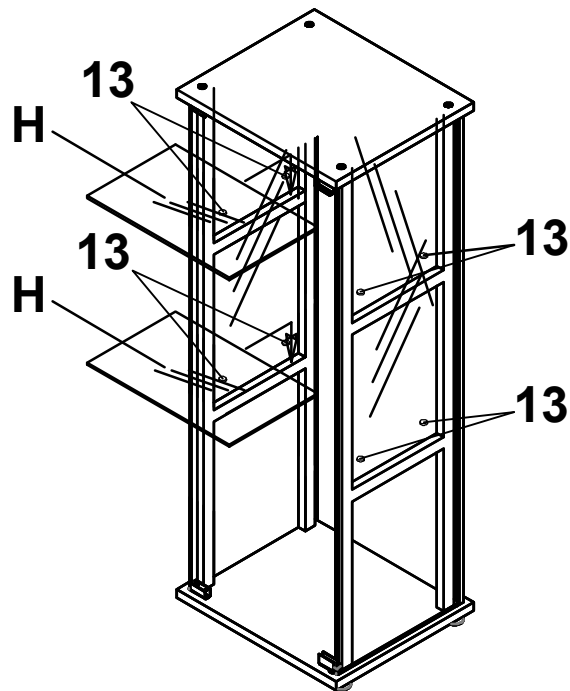


ASSEMBLY INSTRUCTIONS

STEP 3

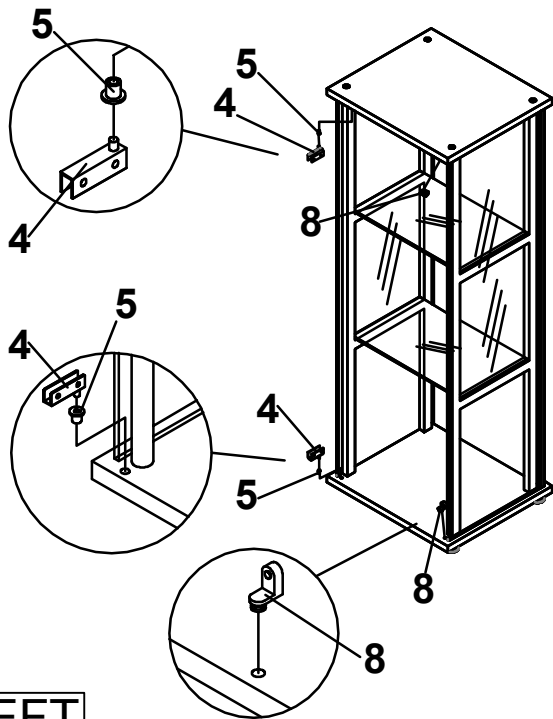


STEP 4

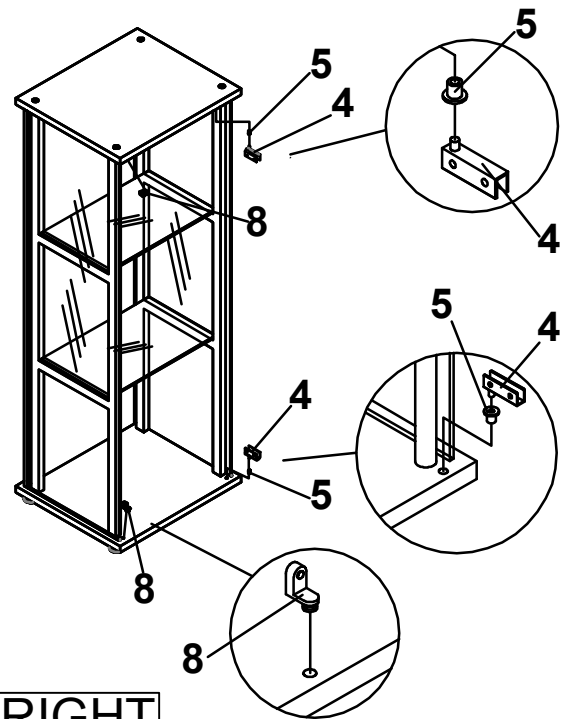


ASSEMBLY INSTRUCTIONS

STEP 5

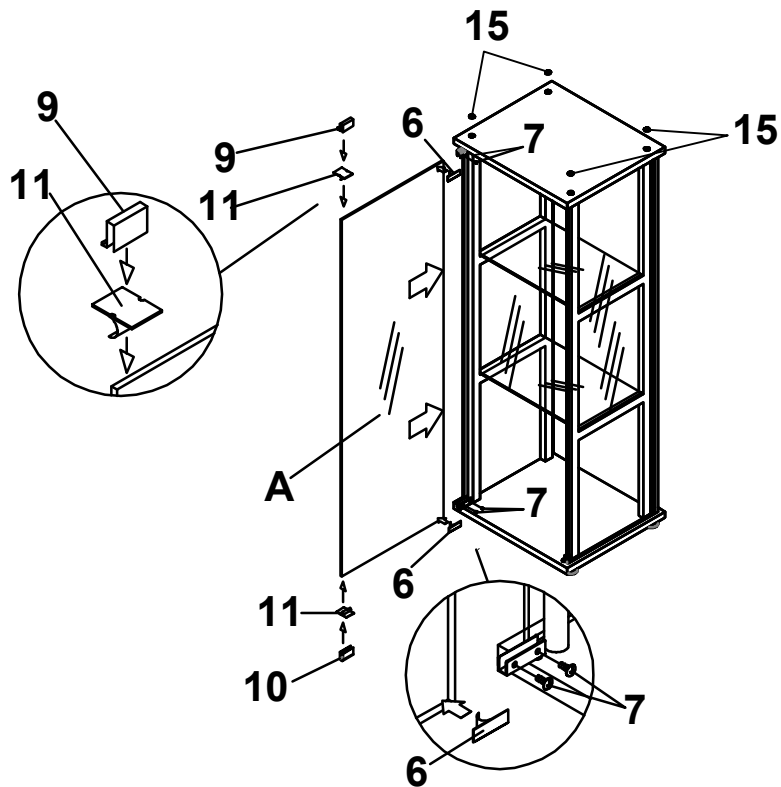


LEFT



RIGHT

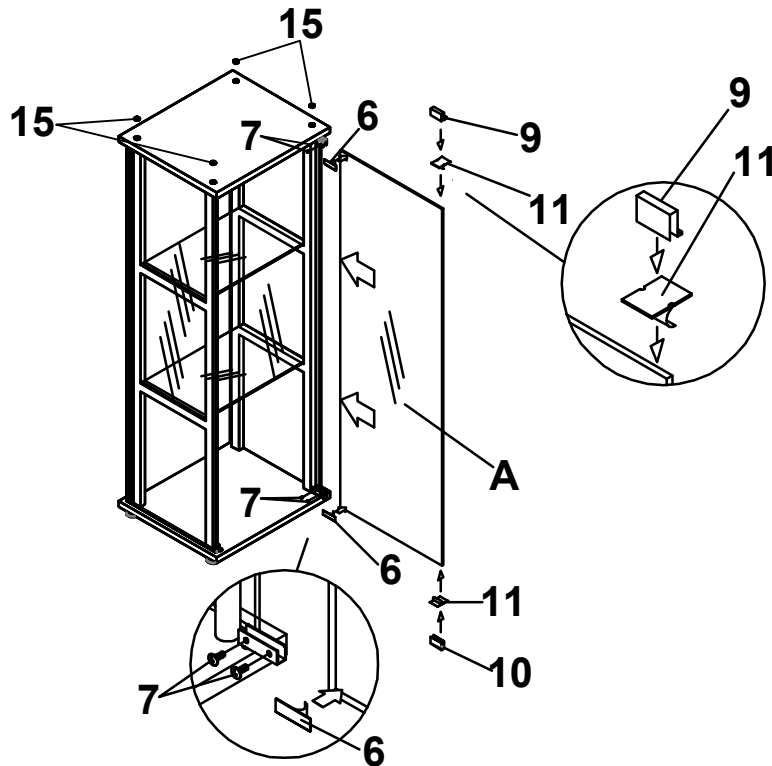
STEP 6



LEFT

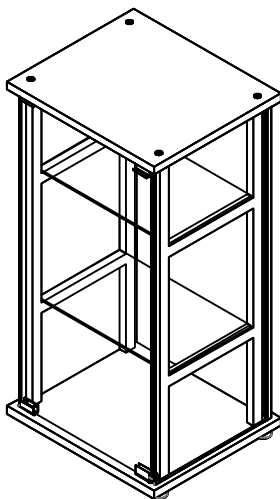
ASSEMBLY INSTRUCTIONS

STEP 6

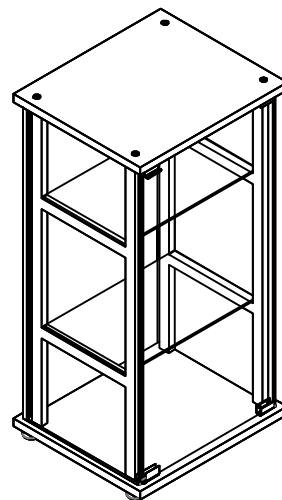


RIGHT

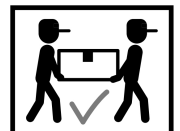
STEP 7 COMPLETE



LEFT



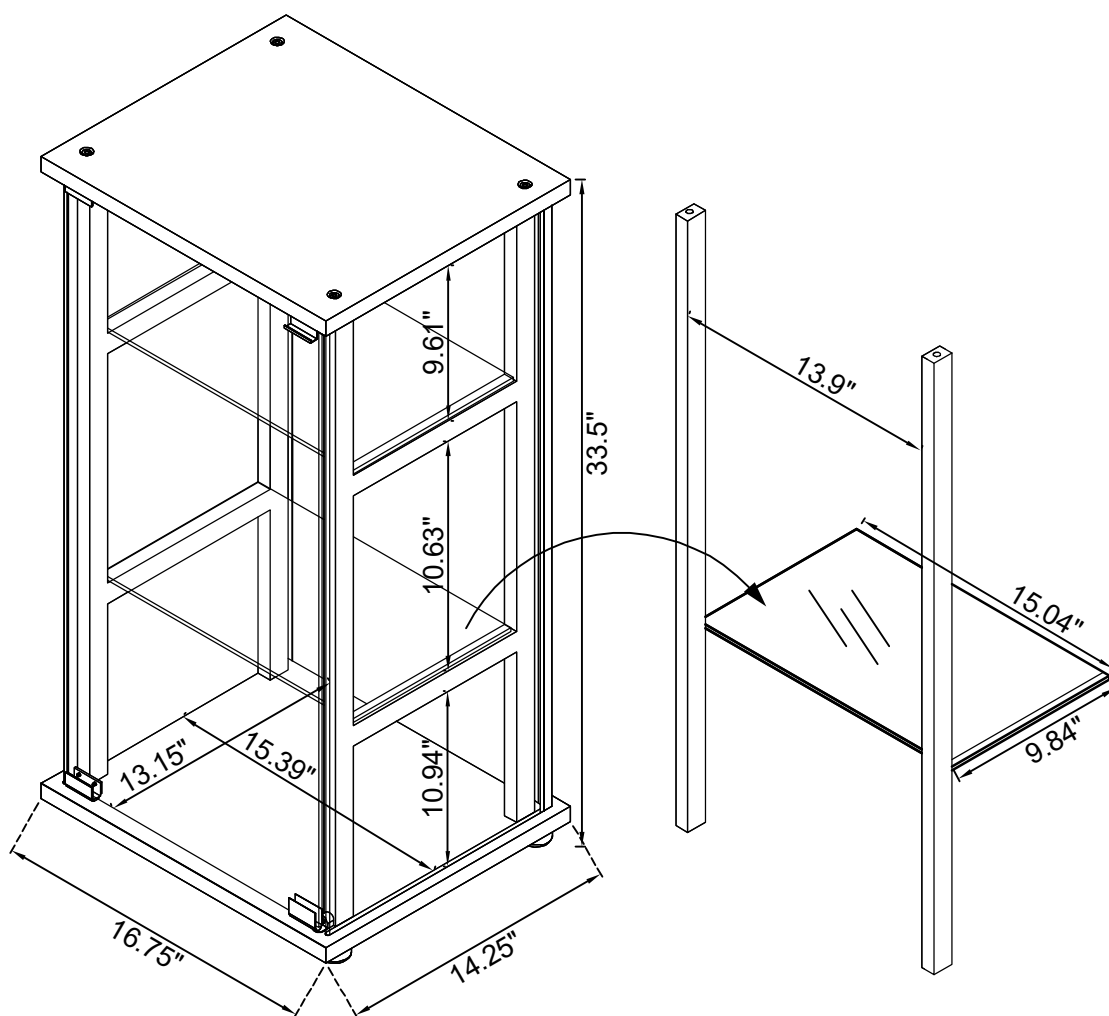
RIGHT



ASSEMBLY INSTRUCTIONS

Product Size : 427 X 362 X 855 H (MM)

Product Size : 16.75" X 14.25" X 33.5"



ANTI-TIPPING INSTALLMENT INSTRUCTIONS

FURNITURE TIPPING RESTRAINT

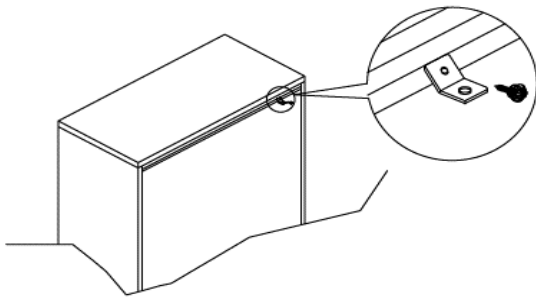
WARNING

Injury may result from tipping furniture.
This restraint may protect against tipping furniture.
Do not allow children to climb on furniture.
This restraint is not a substitute for proper adult supervision.
Failure to detach this restraint before moving the furniture may result in injury and damage.

This tip restraint must be attached to a wall stud using long screw enclosed.

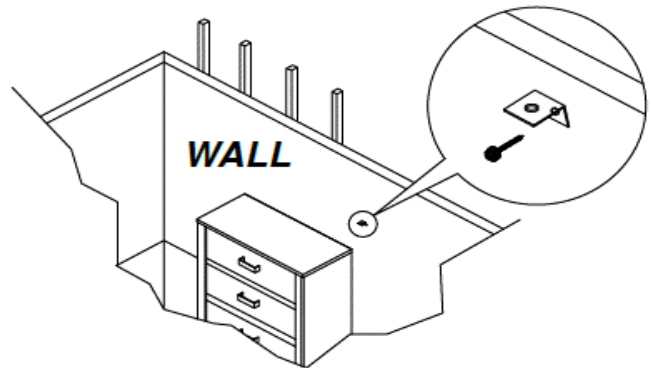
STEP 1

Attach a bracket securely to the back top rail of the furniture using short screw provided, through the smaller hole.



STEP 2

Locate the other bracket on the wall over a plastic wall stud and two inches below the mounting bracket secured to the back of the furniture. Attach the wall stud using the long screw provided, through the smaller hole.



STEP 3

Place the furniture into position so both mounting brackets are vertically in line. Lace the end of the restraint strap through the larger hole in each mounting bracket. Bring both ends together and slide the flat end through the locking end and draw it through until all slack is removed. Confirm that the strap is securely laced and locked.

