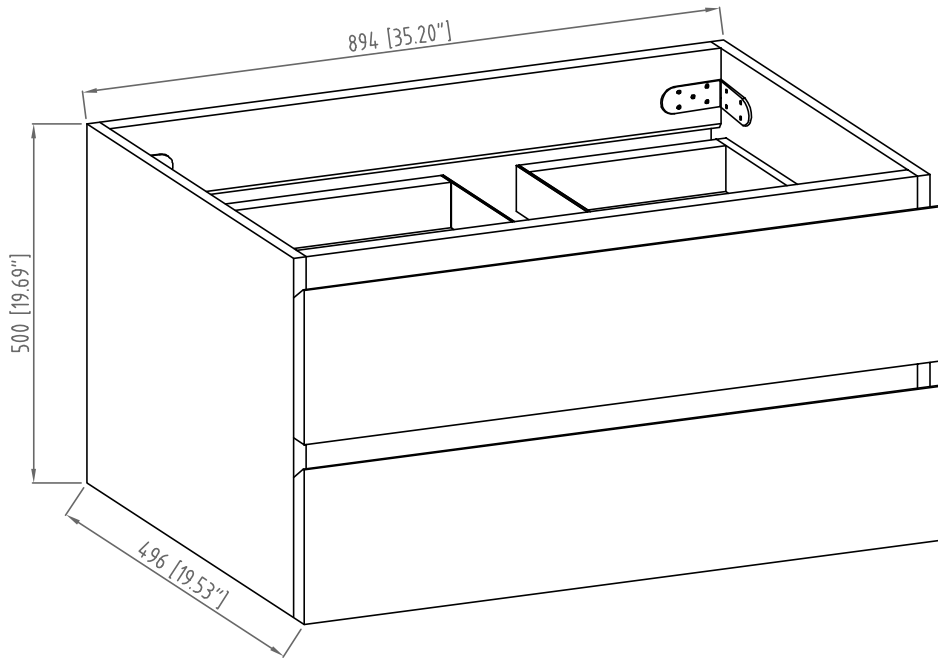
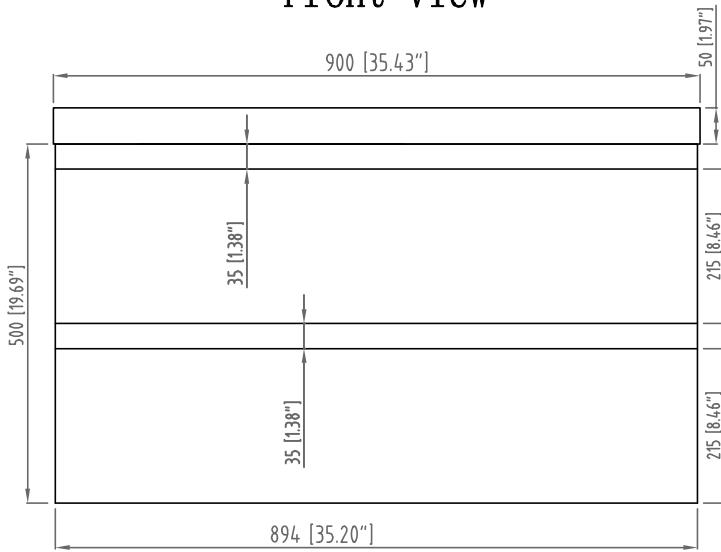


Dimensions

Three views



Front view



Side view

