

Assembly Instructions

Caution : You must read this before you proceed

Care & Maintenance



- Not for commercial use. For residential use only.



- Do not put hot items directly on furniture surface.



- Do not clean furniture with harsh cleansers or polish.



- Do not place furniture under direct sunlight.



- Do not place furniture near heating or cooling vents.



- Do not write on furniture without a padded barrier to protect the surface.



- Do not place furniture outside . For indoor use only.



- Stains may be removed with mild soap solution and damp cloth.

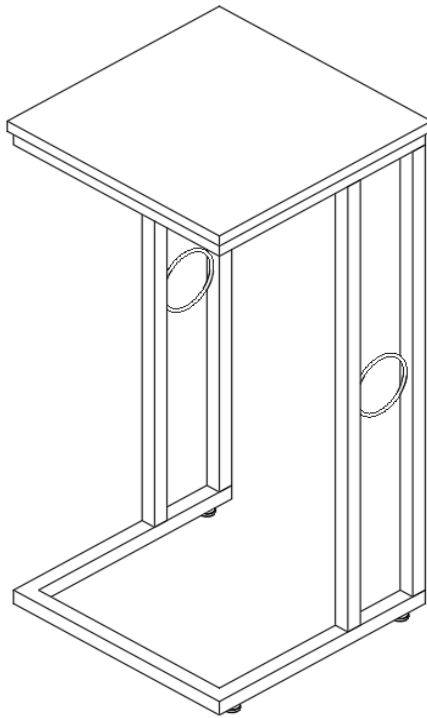


- Children should not climb or jump on the furniture.

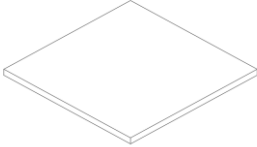
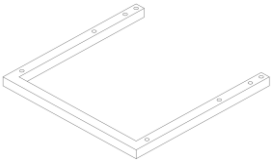
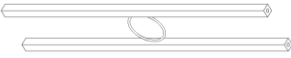
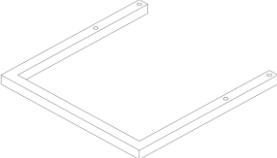


- Dust and pick-up spills using a clean, non-colored, lint-free cloth.

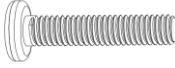
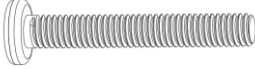
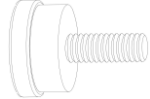

END TABLE



Parts List

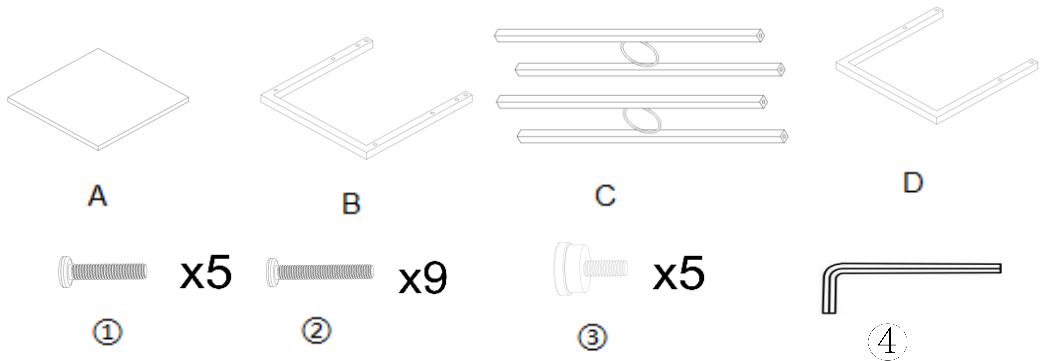
Label	Picture	Description	QTY
A		Table Top	1
B		Top support Bar	1
C		Leg	2
D		Down support Bar	1






Hardware

Label	Picture	Description	QTY
①		Bolt (M6x28mm)	5
②		Bolt (M6x40mm)	9
③		Adjustable Leg	5
④		Allen Wrench	1

Assembly Preparation

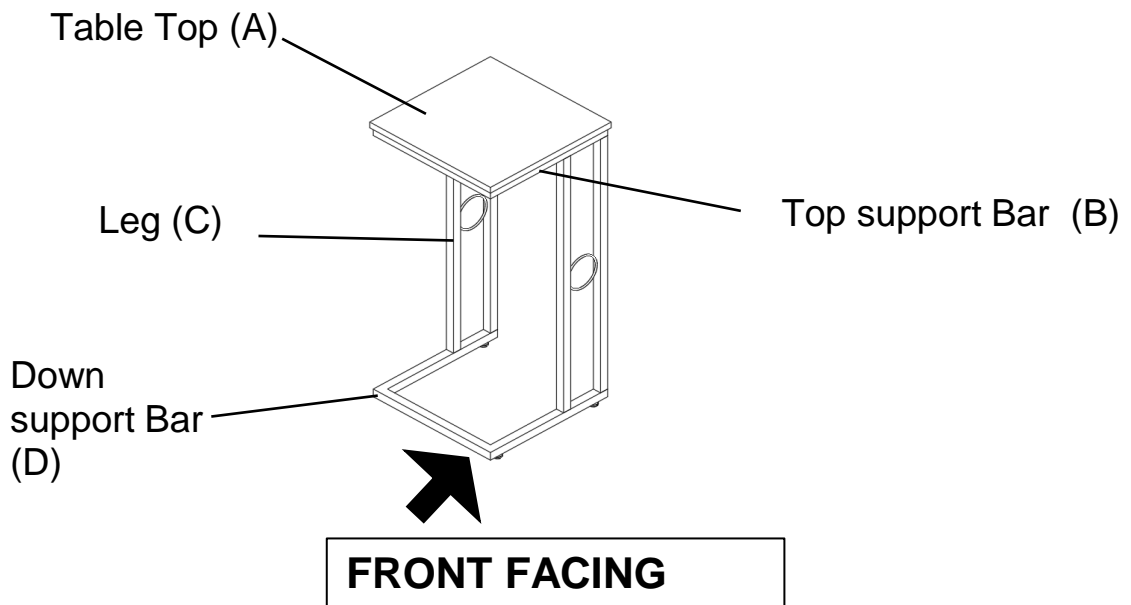
Before Beginning Assembly:



-  • Read instructions, cover to cover-
-  • Have 2 adults on hand for assembly-
-  • Do not assemble on flooring or carpet-
-  • Assemble on a clean non-marring surface (packing foam)-
-  • Save all packaging until finished-

Assembly Steps

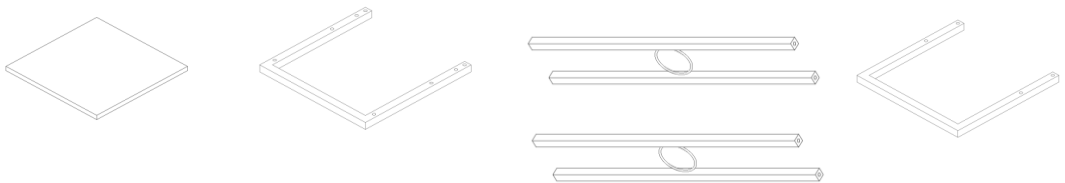
Overview



This End Table has multiple parts and may require up to 30 minutes to assemble. To give you an overview of the End Table parts, the above picture is to help you put the various parts into perspective. Please read through the instructions herebelow to familiarise the parts and steps before assembly.

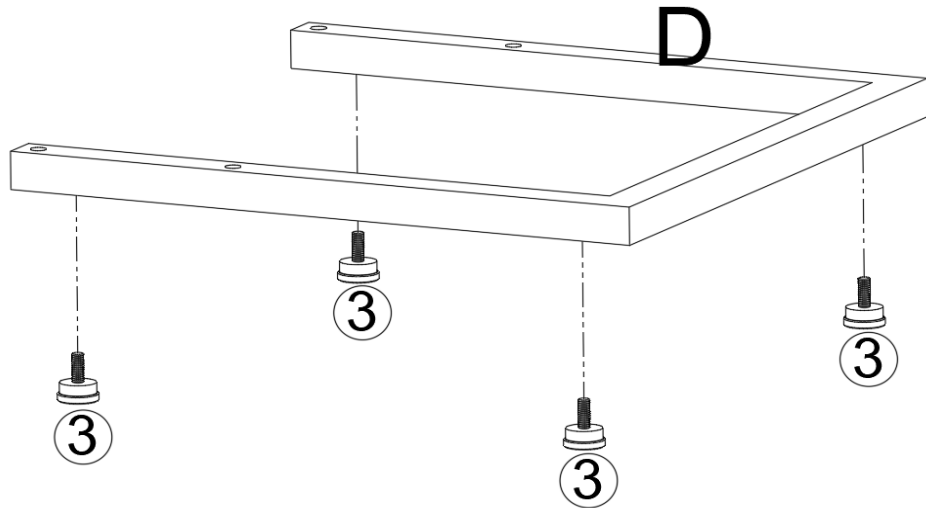
Step

1



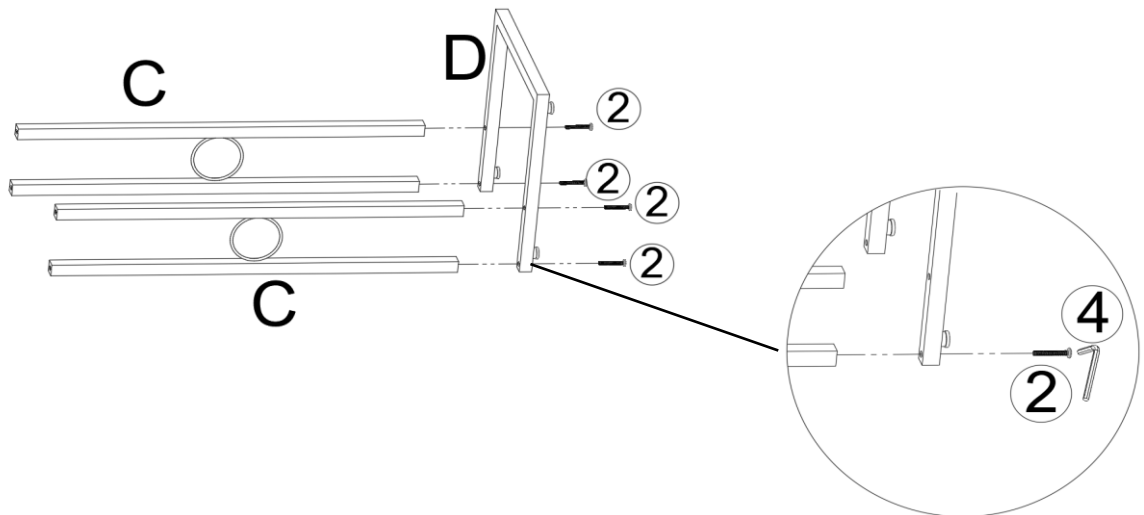
Unpack and place all parts on a clean, non-marring surface.

Step
2



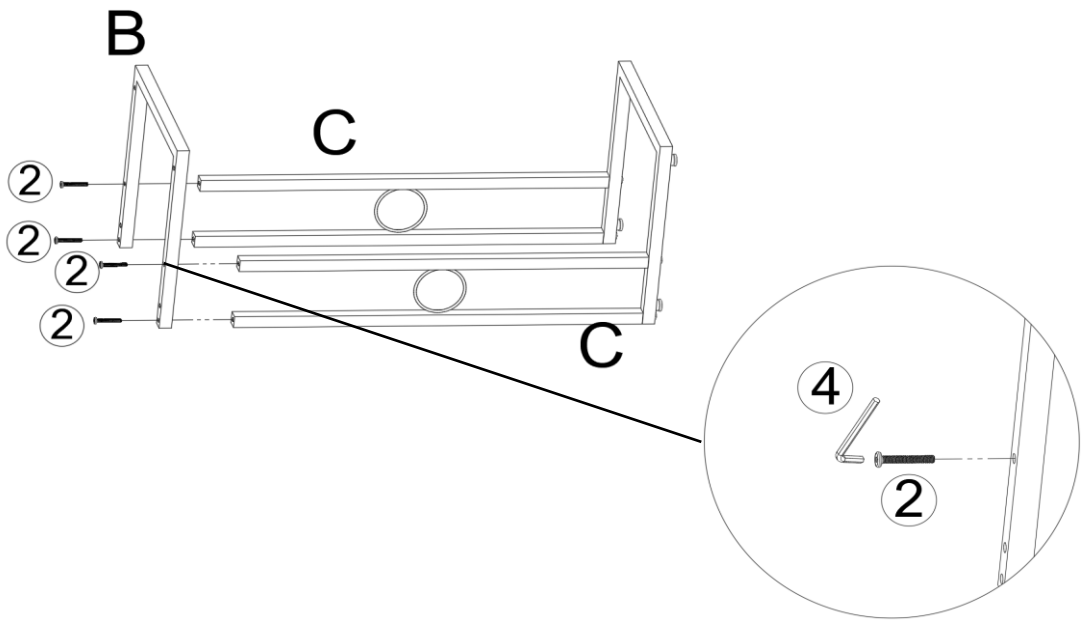
Place the Down support Bar (D) with its one side face skywards onto a clean, soft surface to avoid any scratches or damages to the product. Then, affix the Down support Bar (D) with Adjustable Leg (③) **FULLY TIGHTEN SCREWS.**

Step
3



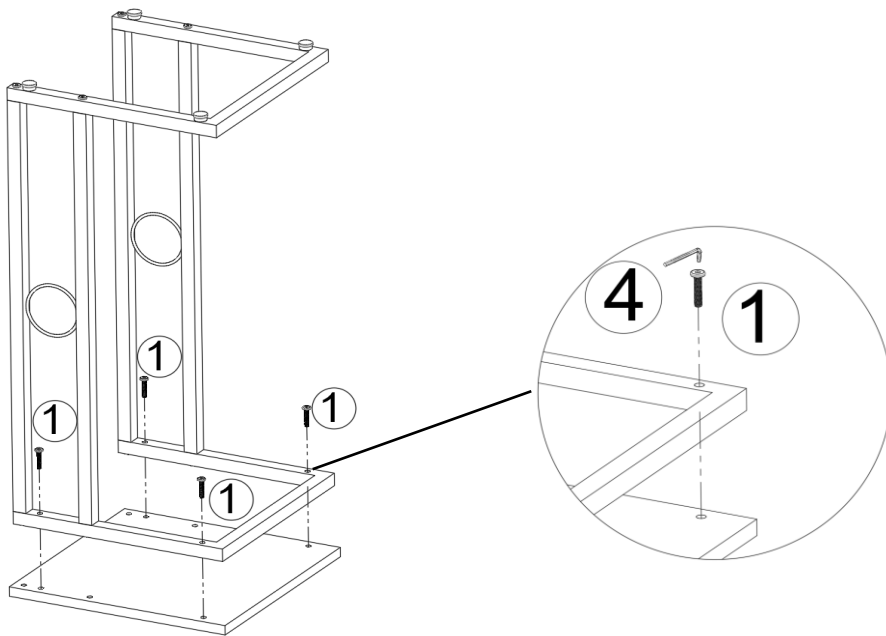
Then, affix Leg(C) with Down support Bar(D) by using Screws (②) and Allen Wrench (④) **DO NOT FULLY TIGHTEN SCREWS.**

Step
4



Then, affix Leg(C) with Top support Bar(B) by using Screws (②) and Allen Wrench (④)
DO NOT FULLY TIGHTEN SCREWS.

Step
5

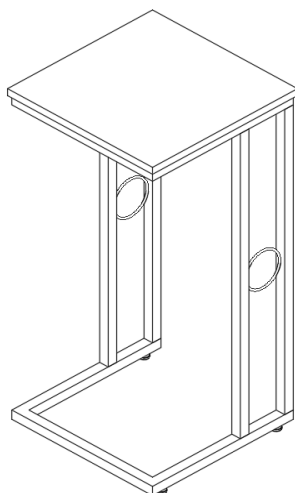


Align Table Top (A) Mounting Position with Top support Bar (B),
Then, affix Table Top (A) with Top support Bar(B) by using Screws (①)
and Allen Wrench(④)

DO NOT FULLY TIGHTEN SCREWS.

Step

6



Place the End Table on a LEVEL SURFACE.

Inspect it and make sure all parts are adequately connected.

CAUTION 1: When tightening these screws, tighten sequentially.

DO NOT tighten any screw fully and then towards the next one.

This would cause the frame to warp.

If there is still wobbles, loosen the screws and execute this same process.

WARNING!! IF End Table IS NOT STABLE , IT COULD LEAD TO DAMAGING THE PRODUCT.

Ensure all screws are fully locked into position.

The End Table is ready to be used.

Caution 2: This End Table can only be used on a flat, level surface.