

INSTALLATION INSTRUCTION

ESTRELLA PENDANT LIGHT 12V

3811 / 3821 / 3831

WAC
LANDSCAPE LIGHTING

WARNING

IMPORTANT: NEVER attempt to do any work without shutting off the electricity.

1. Read all instructions before installing.
2. System is intended for installation by a qualified electrician in accordance with the National Electrical Code and local regulations.
3. Place the wall switch in the "OFF" position.
4. Go to the main fuse box, or circuit breaker. Unscrew the fuse(s) or switch "OFF" the circuit breaker switch(es) that control the power to the space that you are working on.

CAUTION

- All parts must be used as indicated in these instructions. Do not substitute any parts, leave parts out, or use any parts that are worn out or broken. Failure to follow this instruction may invalidate the UL listing of this fixture.

AVERTISSEMENT

IMPORTANT : Coupez l'électricité avant TOUTE manipulation.

- Lisez toutes les instructions avant d'installer.
- Système est destiné à être installé par un électricien qualifié en conformité avec le code national de l'électricité et les règlements locaux.
- Placez l'interrupteur mural en position d'arrêt (« OFF »).
- Toujours mettre le fusible ou le disjoncteur en position arrêt dans la pièce ou des travaux électriques sont prévus

MISE EN GARDE

- Toutes les pièces doivent être utilisées tel qu'il est indiqué dans ces instructions. Ne remplacez pas les pièces, n'en laissez pas de côté et ne les utilisez pas si elles sont usées ou brisées. Le non-respect de ces instructions peut annuler l'homologation UL du luminaire.

ADVERTENCIA

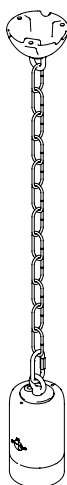
IMPORTANTE: NUNCA intente hacer trabajos sin desconectar el suministro eléctrico.

- Lea y comprenda todas las instrucciones e ilustraciones por completo antes de proceder con el ensamblaje e instalación de esta lámpara.
- Sistema está diseñado para ser instalado por un electricista calificado, de acuerdo con el código eléctrico nacional y las normas locales.
- Coloque el interruptor de la pared en la posición "OFF" (APAGADO).
- Diríjase a la caja de fusibles o a la caja del interruptor de circuito principal en su hogar. Coloque el interruptor de alimentación principal en la posición "OFF" (APAGADO).

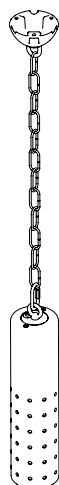
PRECAUCIÓN

- Todas las piezas deben usarse como lo indican estas instrucciones. No reemplace las piezas, no omita piezas durante la instalación ni utilice piezas gastadas o rotas. El incumplimiento de esta indicación podría invalidar la calificación UL esta lámpara.

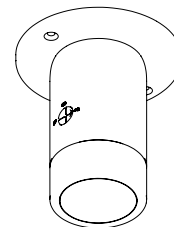
The instructions apply to the model(s) below:



3811



3821



3831

waclighting.com
Phone (800) 526.2588
Fax (800) 526.2585

Headquarters/Eastern Distribution Center
44 Harbor Park Drive
Port Washington, NY 11050

Central Distribution Center
1600 Distribution Ct
Lithia Springs, GA 30122

Western Distribution Center
1750 Archibald Avenue
Ontario, CA 91761

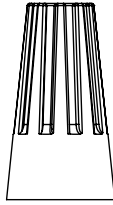


INSTALLATION INSTRUCTION CYLINDER WALL MOUNT 12V

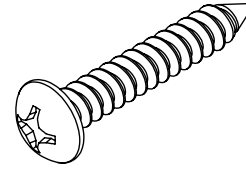
3611

WAC LANDSCAPE LIGHTING

Installation Accessories



Outdoor Rated Wire Nut
Qty: 2pcs



Mounting Screw
Qty: 3pc

Step 1: Determining the location

1. Make sure your main power is off.
2. At the point of installation, mount the mounting canopy by using three mounting screws.
3. Fixture can be taken off from the chain by using the quick chain connector or rotating the fixture off from the eyebolt.

(Same procedures for 3811 and 3821)

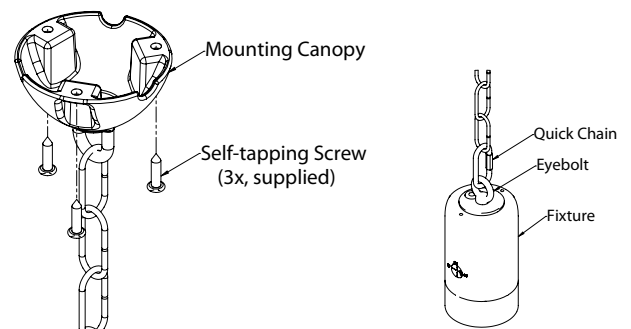
4. For 3831, mount the fixture by using two self-tapping screws onto the ceiling.

Step 2: Wiring the Fixture

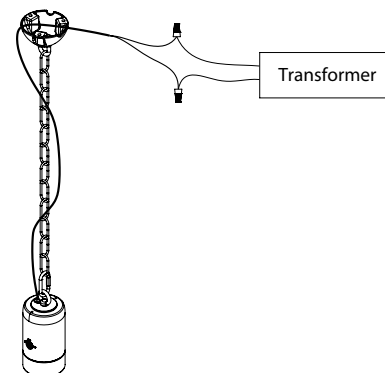
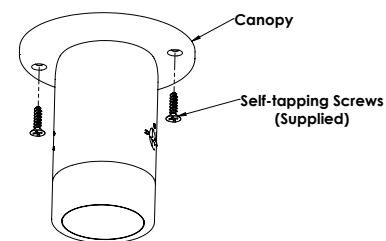
***Note:** Transformer is required to power the fixture.
(Sold Separately)

5. Cut the power supply wire from the transformer at the location of the fixture.
6. Separate the power supply wire into two individual wires by lightly pulling on each side so that a couple inches are separated.
7. Strip off ½ inch of the insulating material from each wire and connect one to each of the wires from the fixture using the outdoor rated direct burial wire nuts provided (same for 3811, 3821, 3831).

Ceiling / Tree



Ceiling



Note: To install multiple fixtures, also connect the power supply wire of each additional fixture to the connection

waclighting.com
Phone (800) 526.2588
Fax (800) 526.2585

Headquarters/Eastern Distribution Center
44 Harbor Park Drive
Port Washington, NY 11050

Central Distribution Center
1600 Distribution Ct
Lithia Springs, GA 30122

Western Distribution Center
1750 Archibald Avenue
Ontario, CA 91761



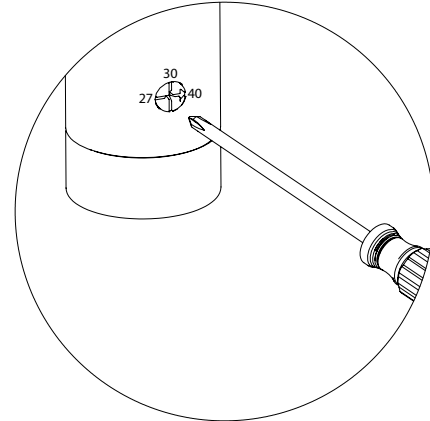
INSTALLATION INSTRUCTION CYLINDER WALL MOUNT 12V

3611

WAC LANDSCAPE LIGHTING

Step 3: Color Temperature Adjustment:

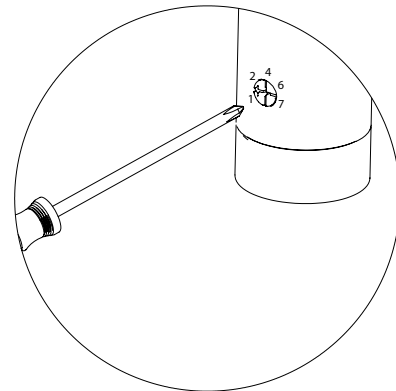
1. Use a Philips head screw driver to rotate the CCT switching knob to set the desire color temperature



Select Warm White, Pure White, or Cool White
(2700K, 3000K, or 4000K)

Step 4: On Board Dimming Adjustment:

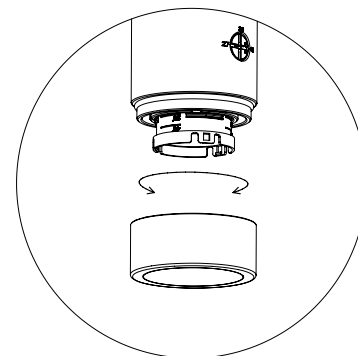
1. Use a Philips head screw driver to rotate the light switching knob to set the desire light output



Continuously adjustable brightness

Step 5: Beam Angle Adjustment

1. Note the three pre-determined beam angles on the beam angle changing dial. (Beam Angle Markings)
2. Take off the fixture cap (by rotating it)
3. Hold the fixture body and rotate beam changing bracket until the beam angle marking meets the fixture housing edge. This beam angle may be one of the pre-determined markings or any number in between.
5. Put the fixture cap back and tighten it firmly.



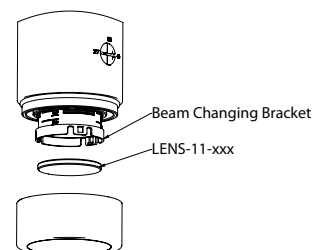
Continuously Adjustable Beam Angles
Indexed at 35°, 45°, 55°

ACCESSORIES

I. Color Lens:

Colored lens come in red, blue, green and amber to filter the light coming out of the fixture.

Installation: Take off the fixture cap, clip the colored lens into the beam changing bracket and install fixture cap back.



waclighting.com
Phone (800) 526.2588
Fax (800) 526.2585

Headquarters/Eastern Distribution Center
44 Harbor Park Drive
Port Washington, NY 11050

Central Distribution Center
1600 Distribution Ct
Lithia Springs, GA 30122

Western Distribution Center
1750 Archibald Avenue
Ontario, CA 91761

