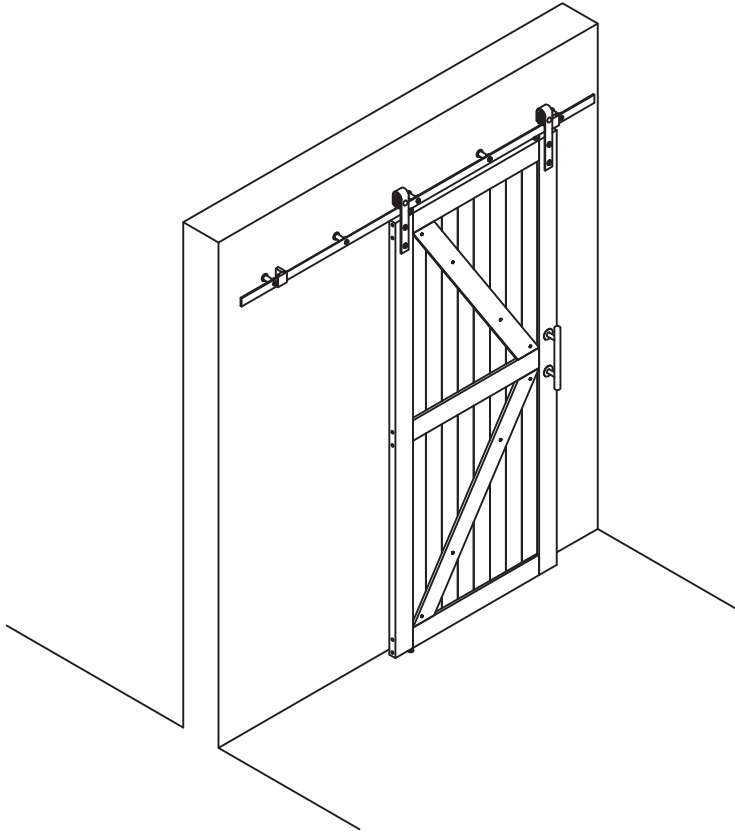


36"×84" Barn Door Track Kit Installation Instruction



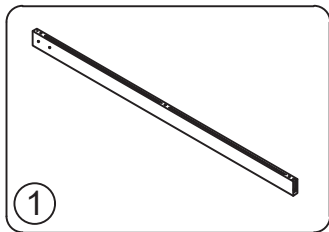
Note: If you encounter any problems with the installation, missing or replacement parts, Please contact us. Please also tell us your "ORDER ID," we will solve the issue for you as soon as possible. Please scan the QR code to refer to the installation video.

online video: <https://buylikepro.com/pages/sliding-barn-door-with-hardware-kit-support>

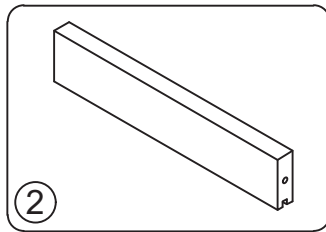
Email: help@EverythingSupport.com

Board List

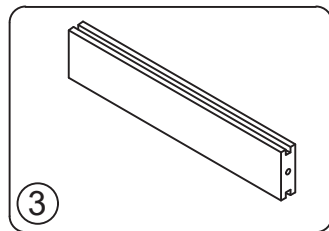
-Carefully remove all the parts from the carton and place them individually on a soft cloth to prevent scratches or other damage.



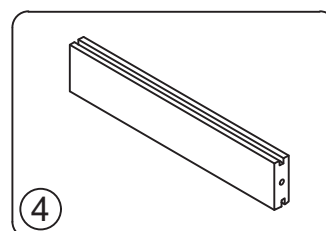
Left vertical bar
Qty:1



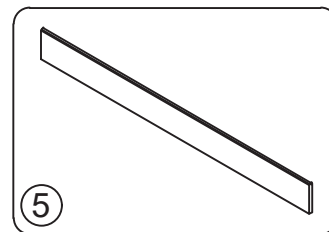
Top bar
Qty:1



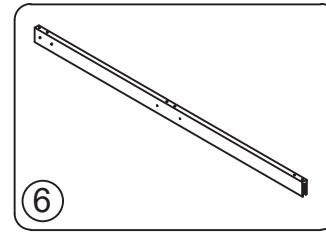
Middle bar
Qty:1



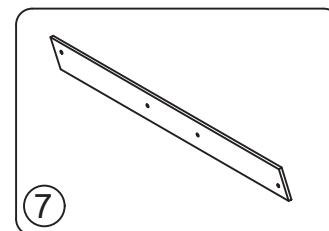
Under the bar
Qty:1



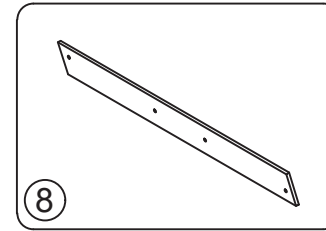
Door core plate
Qty:16



Right vertical bar
Qty:1

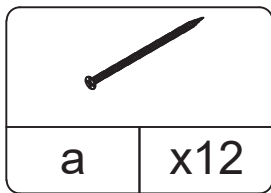


Reinforcing plate 1
Qty:2



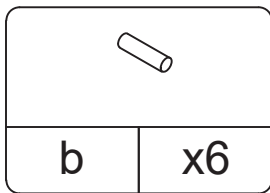
Reinforcing plate 1
Qty:2

Hardware List



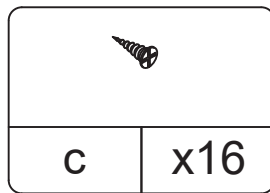
a x12

Screw



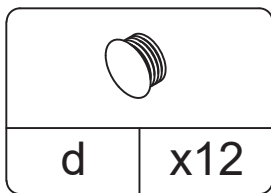
b x6

Wooden tenons



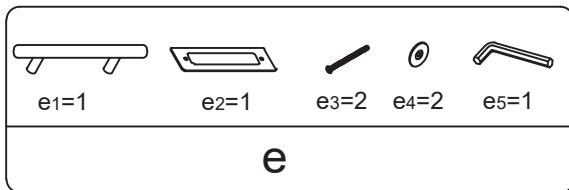
c x16

Screw



d x12

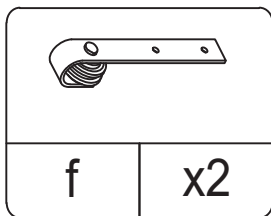
Plastic caps



e1=1 e2=1 e3=2 e4=2 e5=1

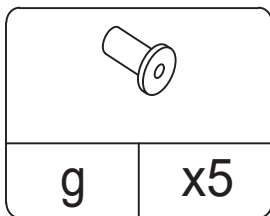
e

Hold hands outside+Inside
+Screw+Gasket



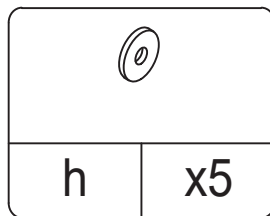
f x2

Roller



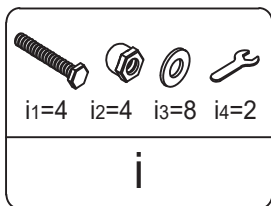
g x5

Rail spacers



h x5

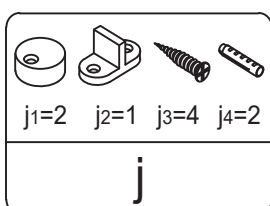
Gasket



i1=4 i2=4 i3=8 i4=2

i

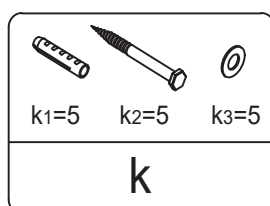
Black Bolt+Nut+Gasket
+Spranner Wrench



j1=2 j2=1 j3=4 j4=2

j

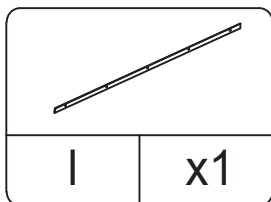
Anti jumpers+Floor guide
+screw+Expansion Nut



k1=5 k2=5 k3=5

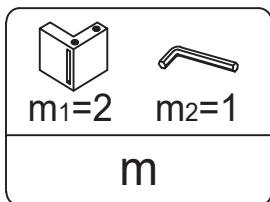
k

Expansion Nut
+Instaliation screw+Gasket



l x1

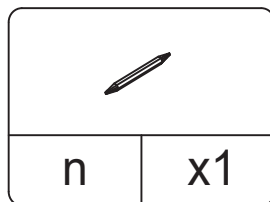
Rails



m1=2 m2=1

m

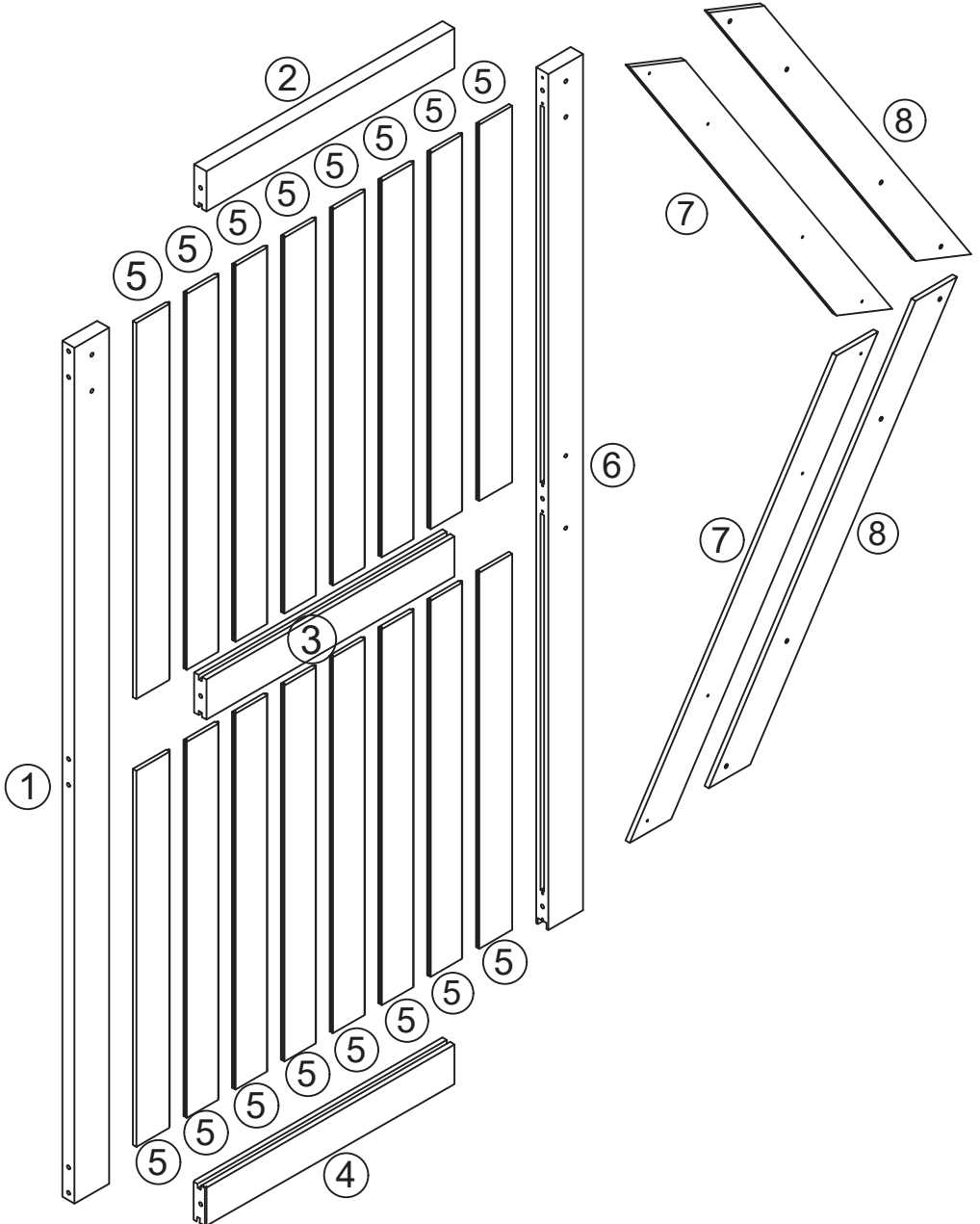
Door stopper



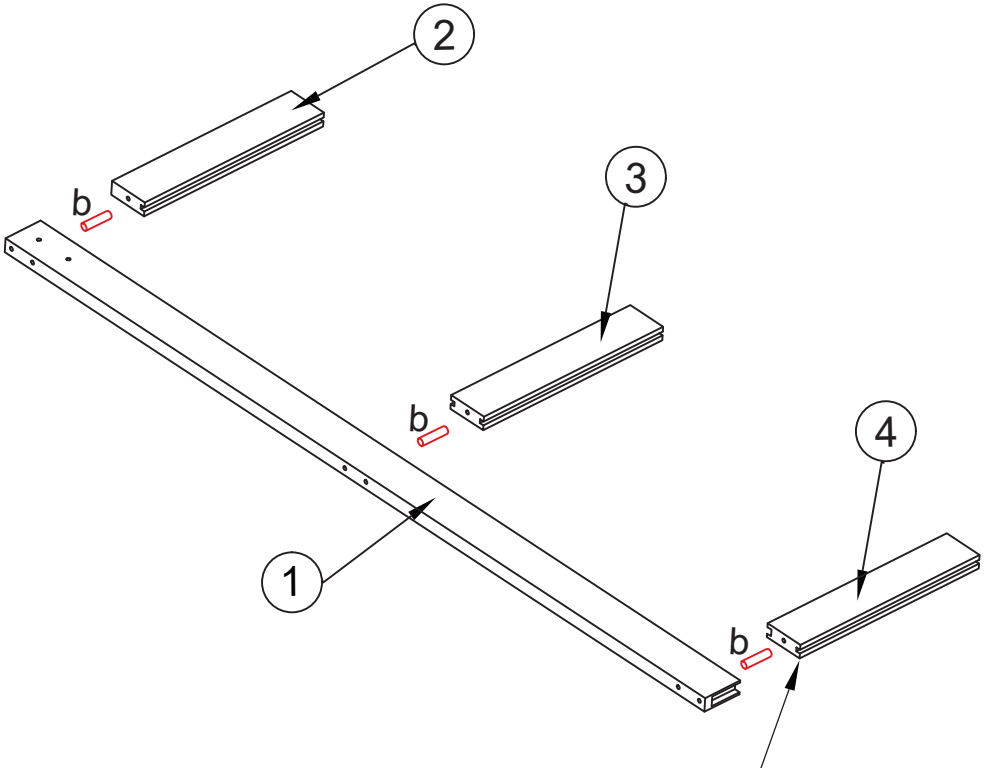
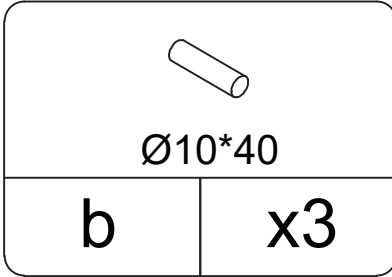
n x1

Phillips head

Components of finished barn door



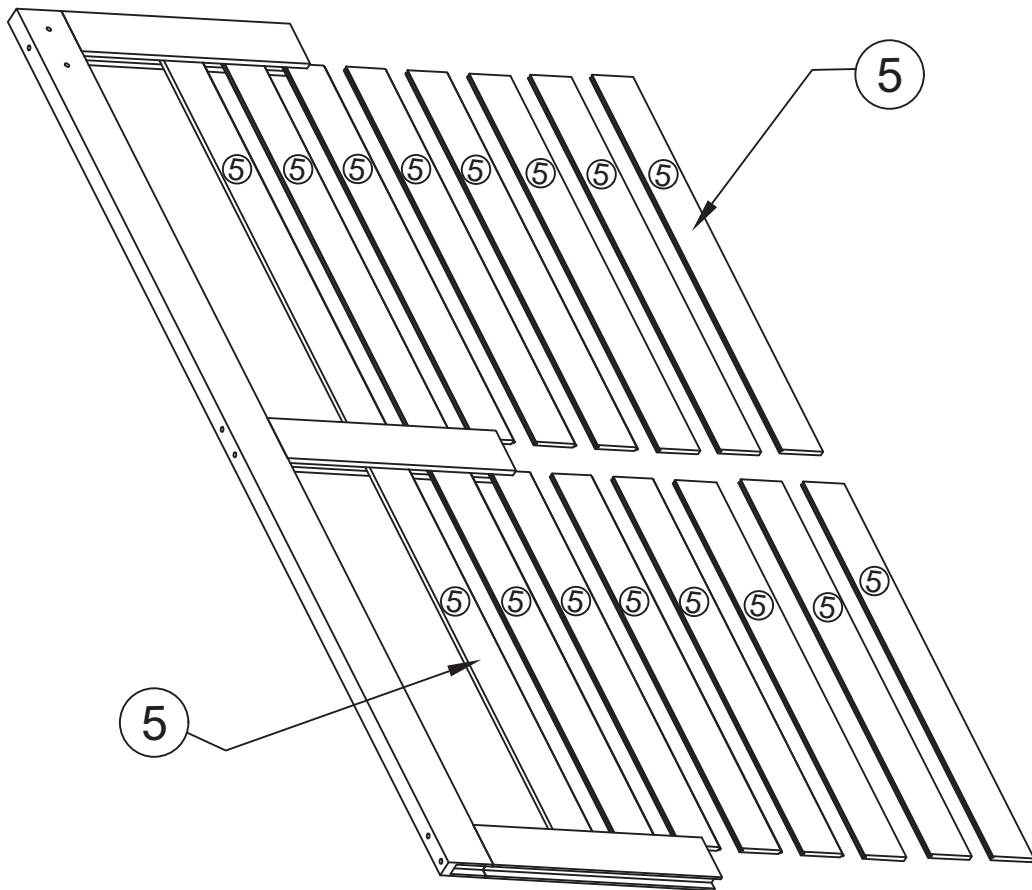
Step 1: As shown in the picture, insert (b) wooden tenons into the three holes on (1) the door frame, and then insert and fix the holes in (2), (3), and (4) wooden boards accordingly.



Note: The narrow side of the groove at the bottom of (4) board is the bottom edge.

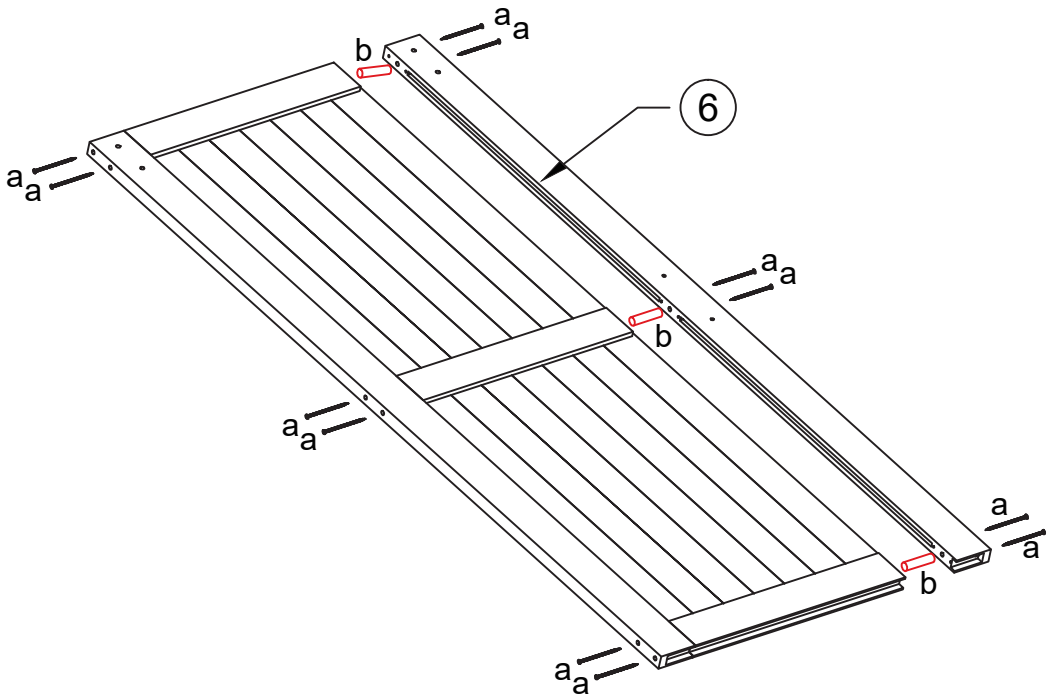
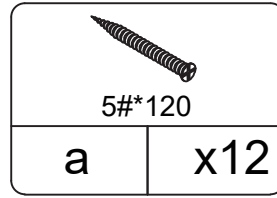
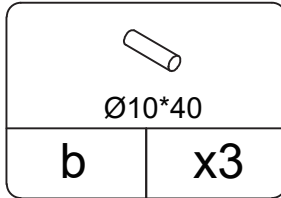
Step 2: As shown in the picture, slide the (5) board along the grooves on both sides and align it.

Note: (5) The slots between the plates must be tightly clamped to ensure that the door frame is installed.

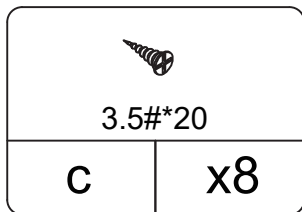


Step 3: First insert (b) wooden tenons into the three holes on (2), (3) and (4) wooden boards, then align with the holes in (6) wooden boards and insert to secure.

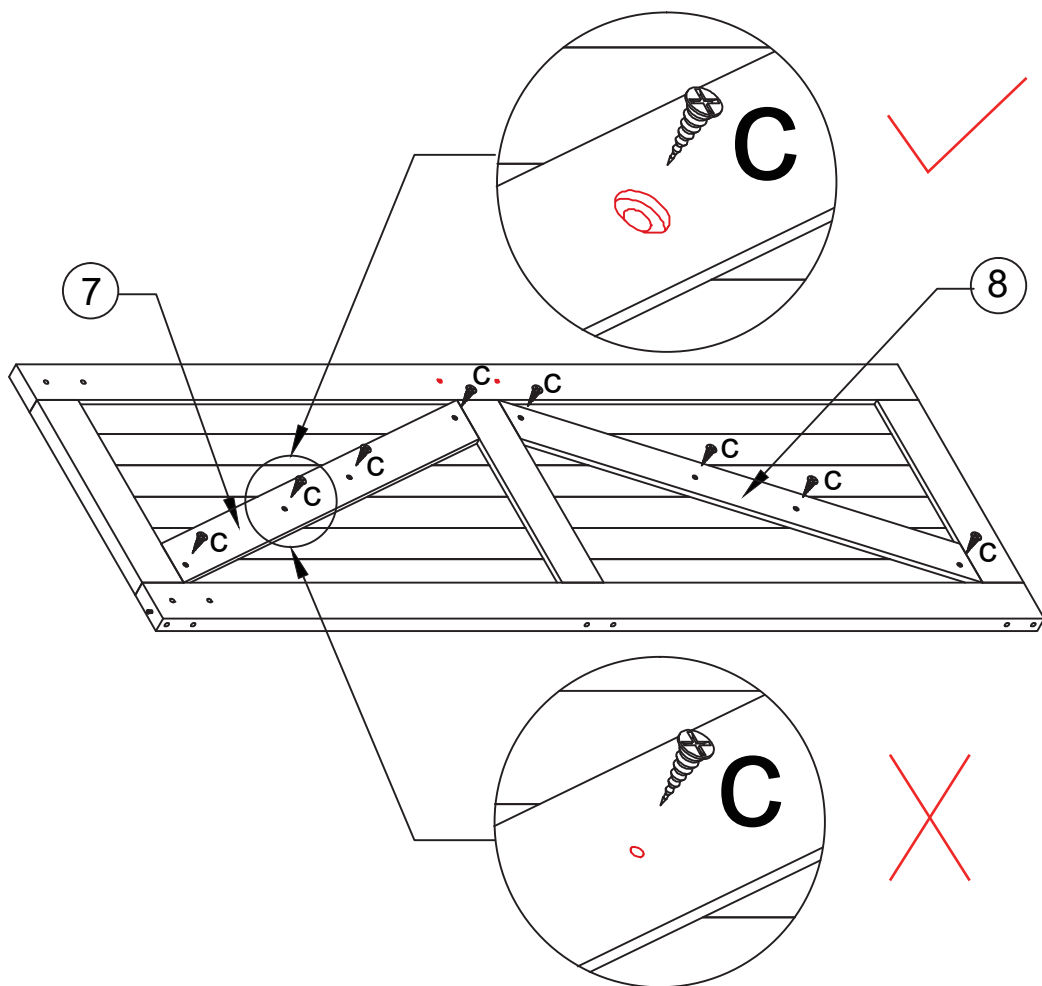
As shown in the picture, use (A) screws to correspond to the holes on both sides of (1) and (6) the board, then tighten and secure.




Step 4: As shown in the picture, place (7) and (8) boards on the door panel and align them, and then tighten them with (c) screws.



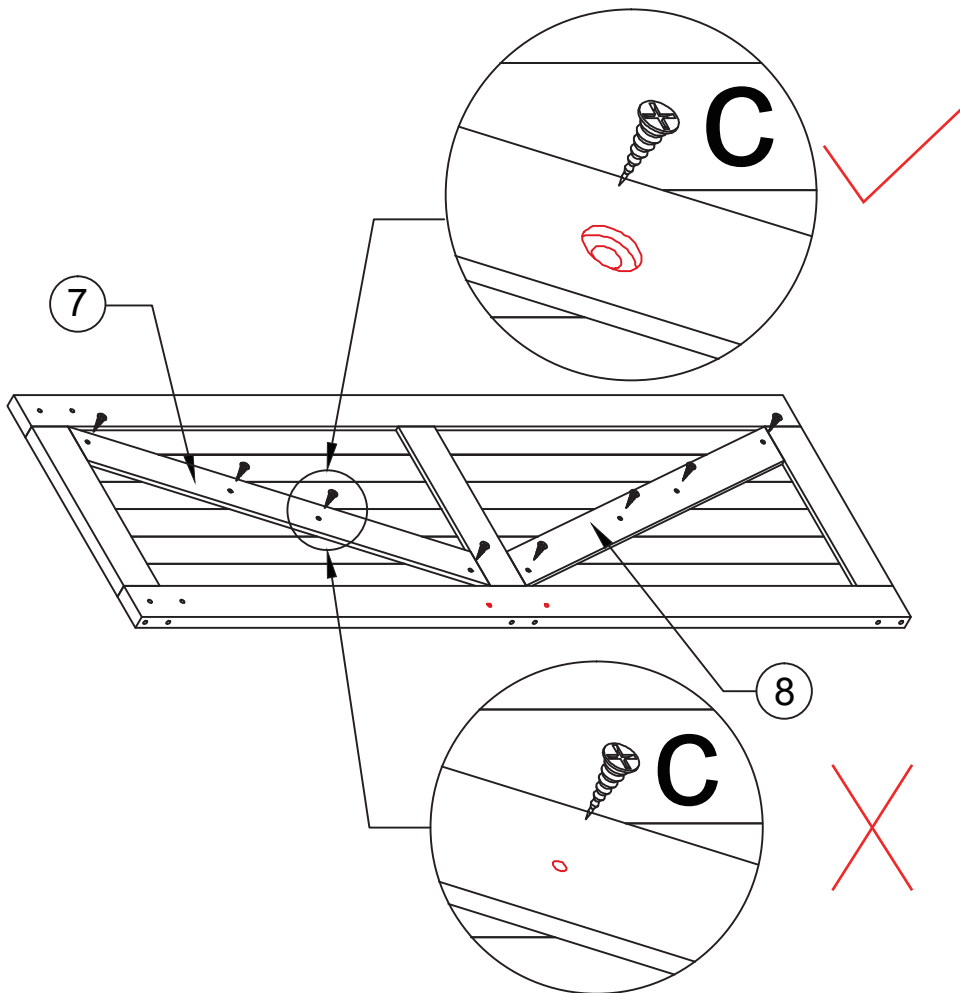
Note: (7) and (8) There are pre-drilled holes on the wooden boards. The front and back sides are distinguished by the size of the holes. The side with the larger hole is the front side, and the screws are tightened from the front side.



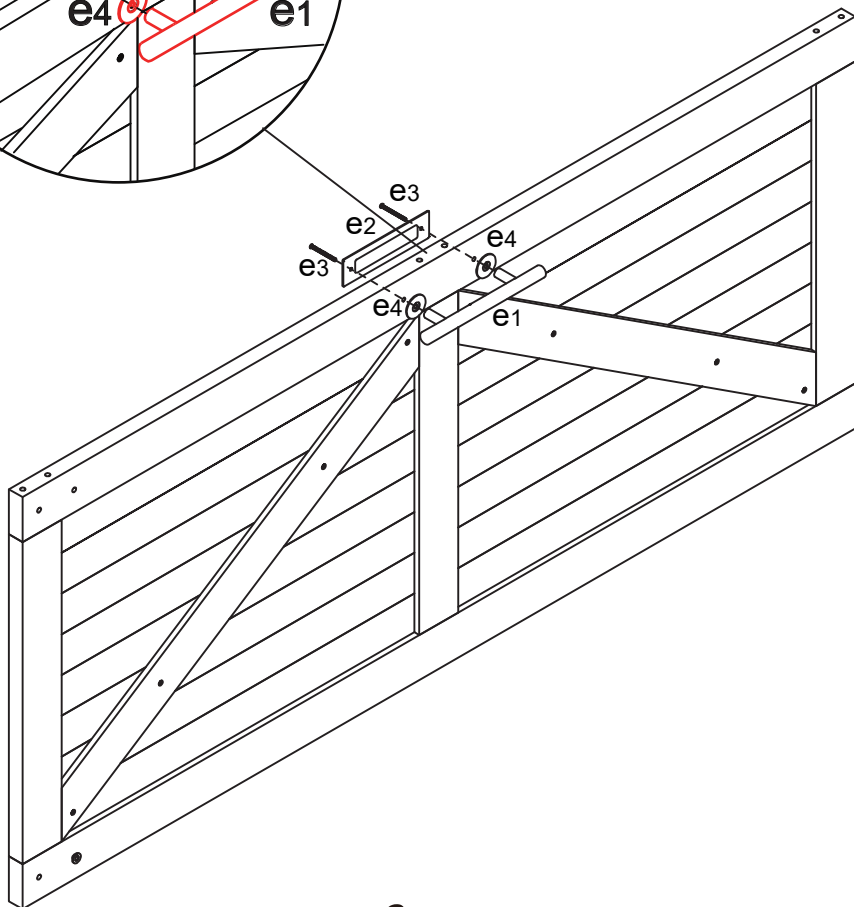
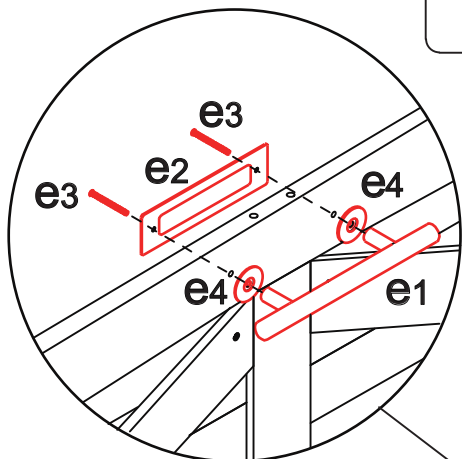
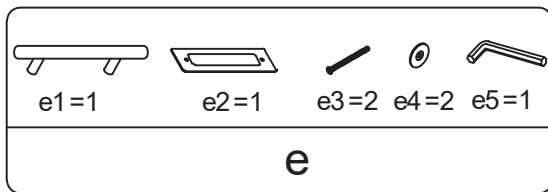
Step 5: As shown in the picture, flip the door panel to the other side, place (7) and (8) wooden boards on the door panel, align them, and tighten them with (c) screws.

 3.5#*20	
C	X8

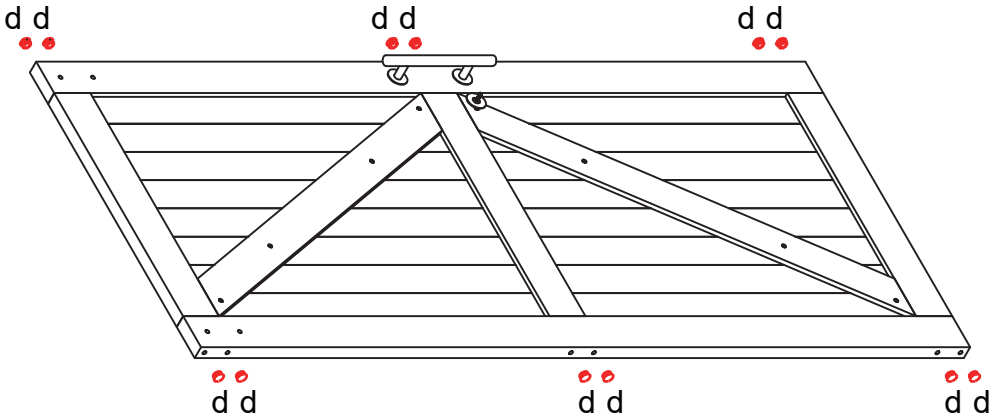
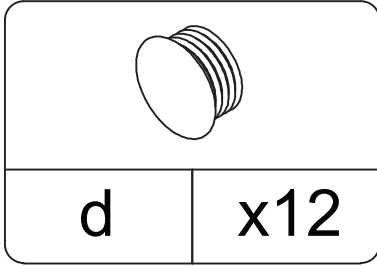
Note: (7) and (8) There are pre-drilled holes on the board. The front and back sides are distinguished by the size of the holes. The side with the larger hole is the front side, and the screws are tightened from the front side.



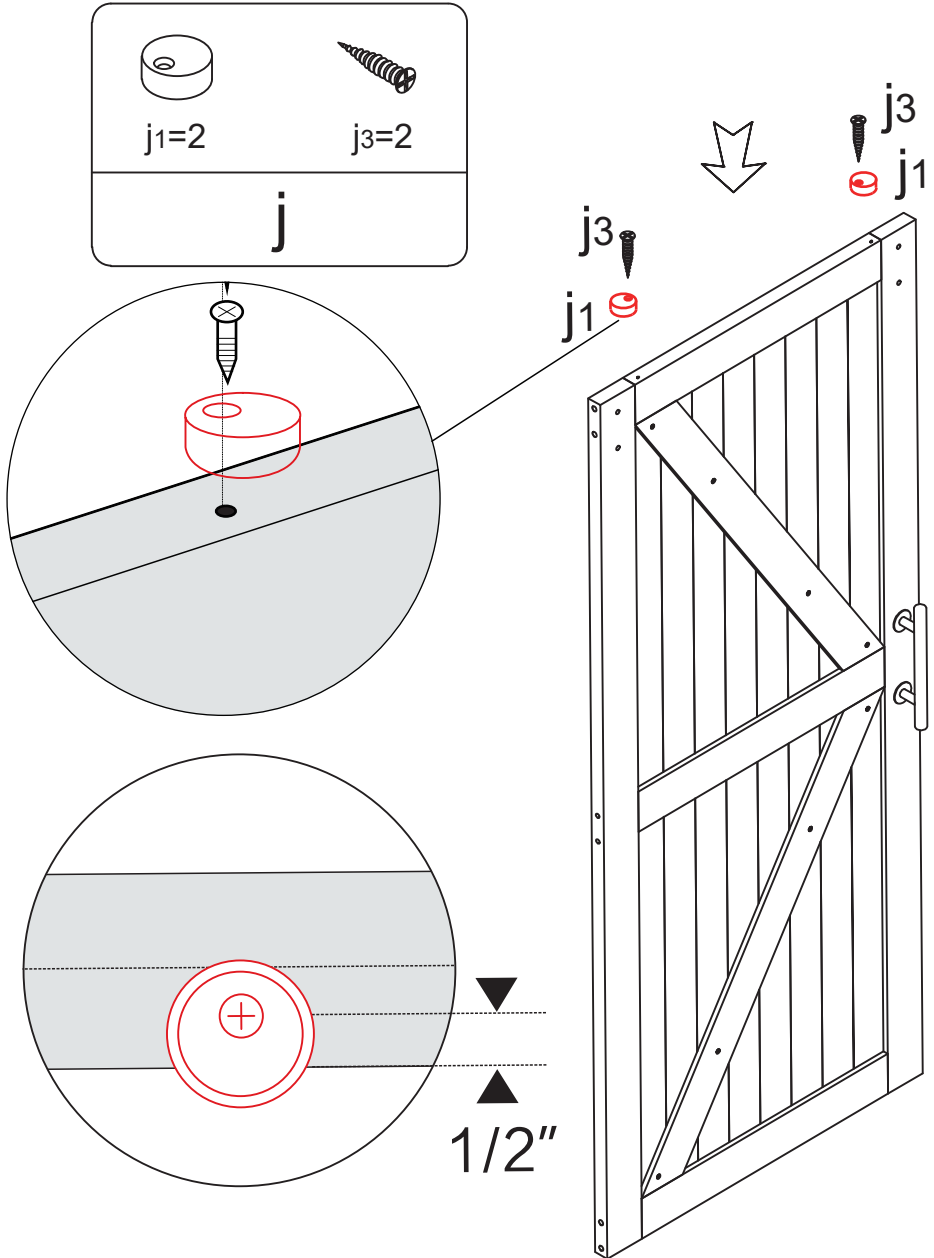
Step 6: As shown in the picture, install the door handle in the order of the enlarged picture



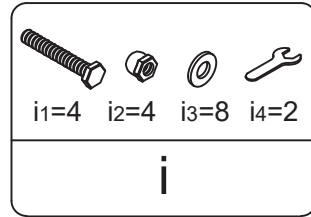
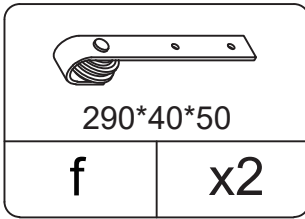
Step 7: Insert (d) plastic covers into the holes on both sides of the door



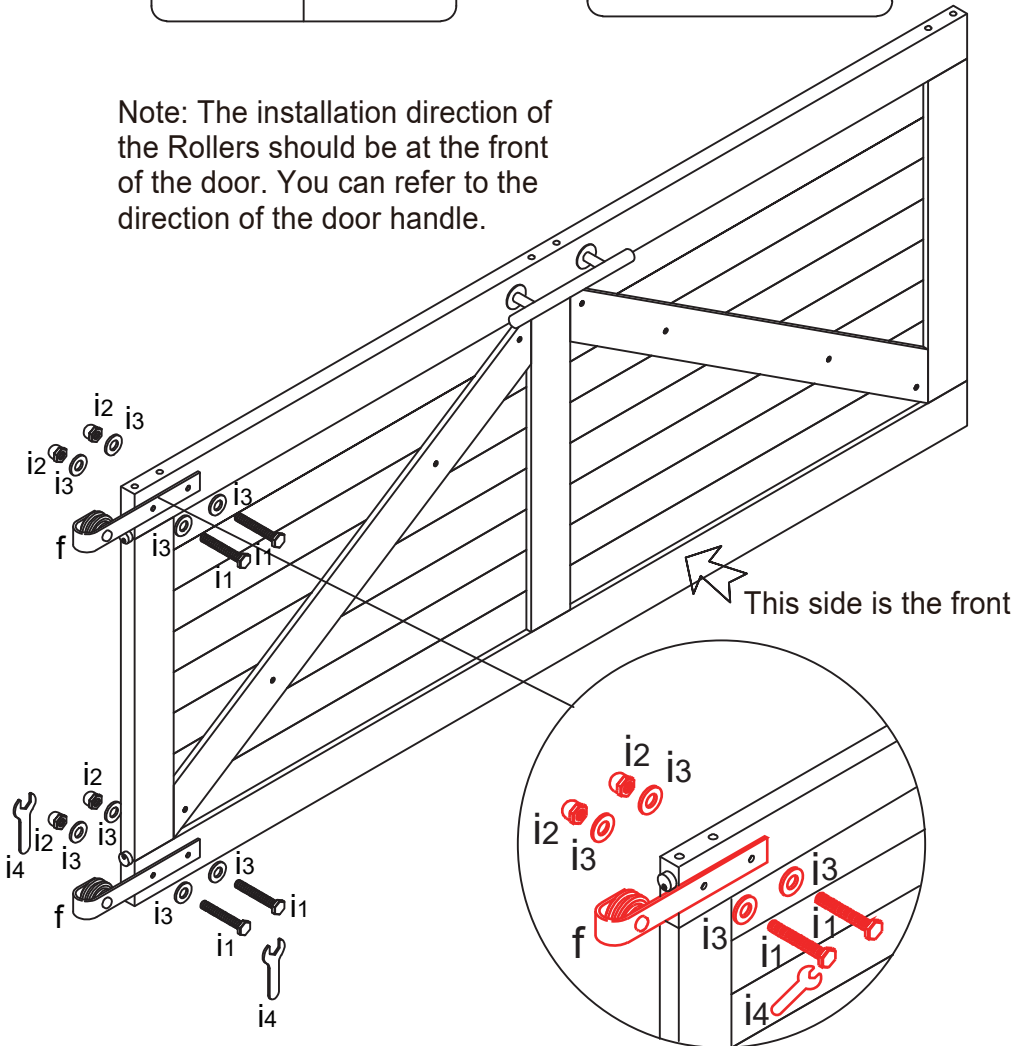
Step 8: The rubber ends are used to protect the door from contacting the rails when sliding the door. You will need to drill holes in the top side of the door, please drill 1/2 from the edge of the door. Then install the (J1) rubber end on the door.



Step 9: Align the (F) Rollers with the hole on the top of the door, then use the (i1) screw to pass through the (i3) gasket to connect the (F) Rollers and the door, add the (i3) gasket and use (i4) Use the wrench to tighten the screws until the installation of the two Rollers is completed.



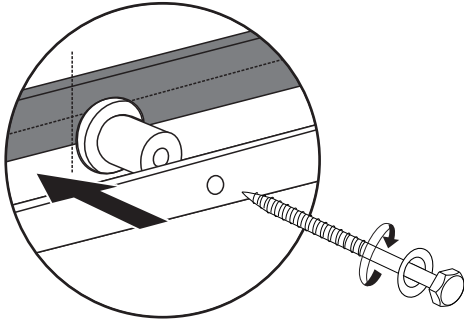
Note: The installation direction of the Rollers should be at the front of the door. You can refer to the direction of the door handle.



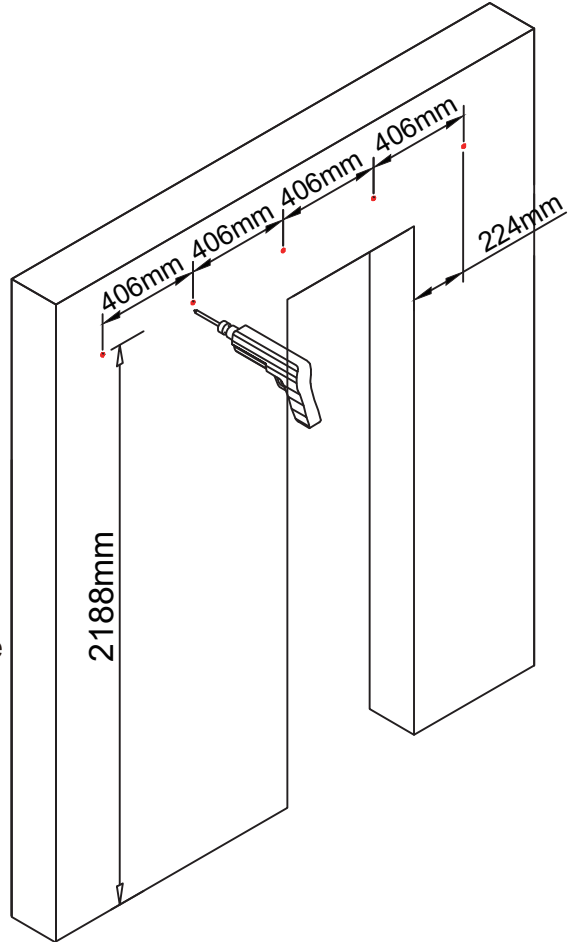
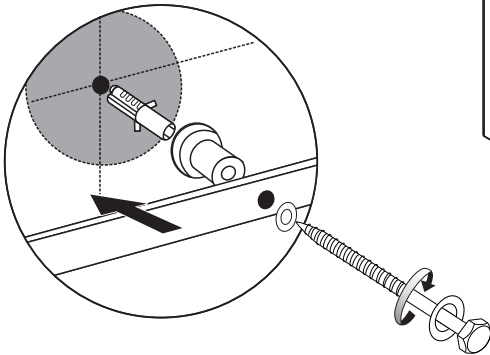
Step 10: Mark the position of the holes with a pencil according to the dimensions in the diagram (you need to use a level to make sure they are on the same horizontal line), and then make the four holes with a drill.

Tip: Choose the appropriate screws for mounting to concrete or drywall depending on your wall.

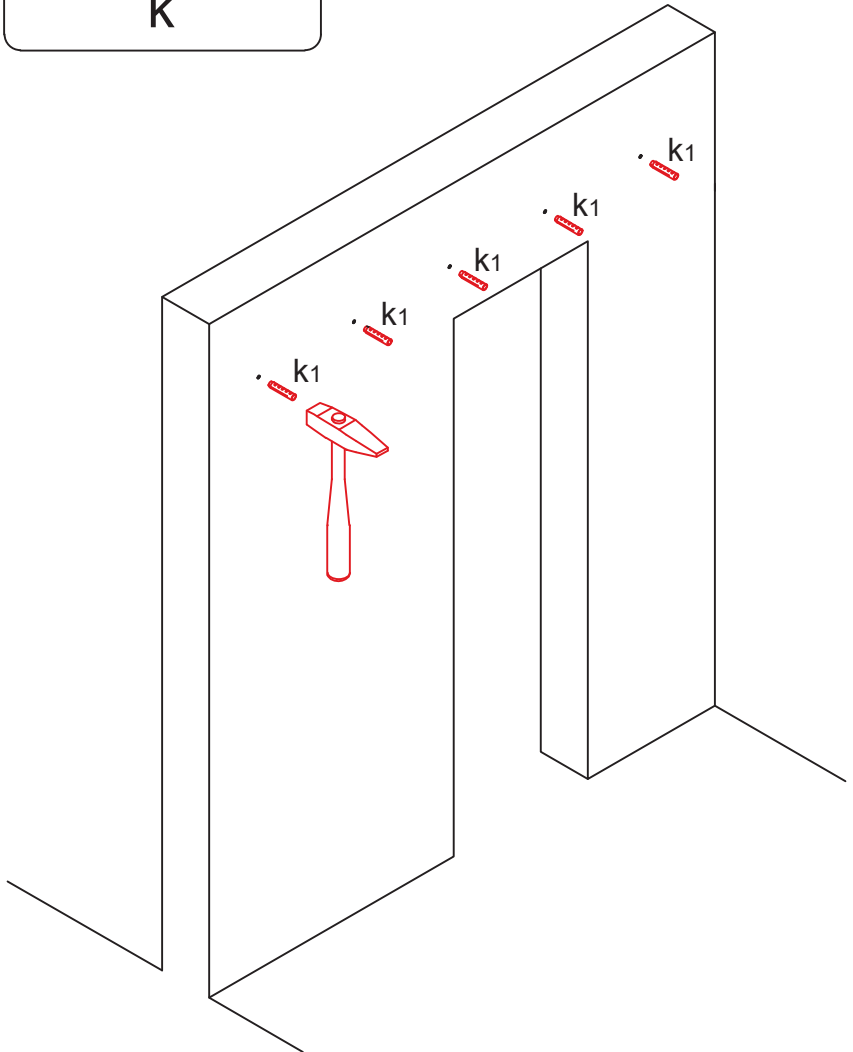
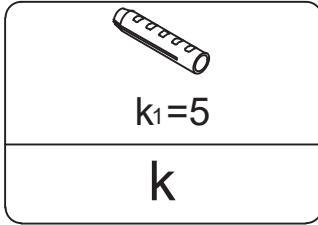
(A) Drywall installation: Install the lag bolt to the wood stud or headboard directly



(B) Concrete wall installation: Install the anchor to holes on the concrete wall first then install a lag bolt to the anchor.

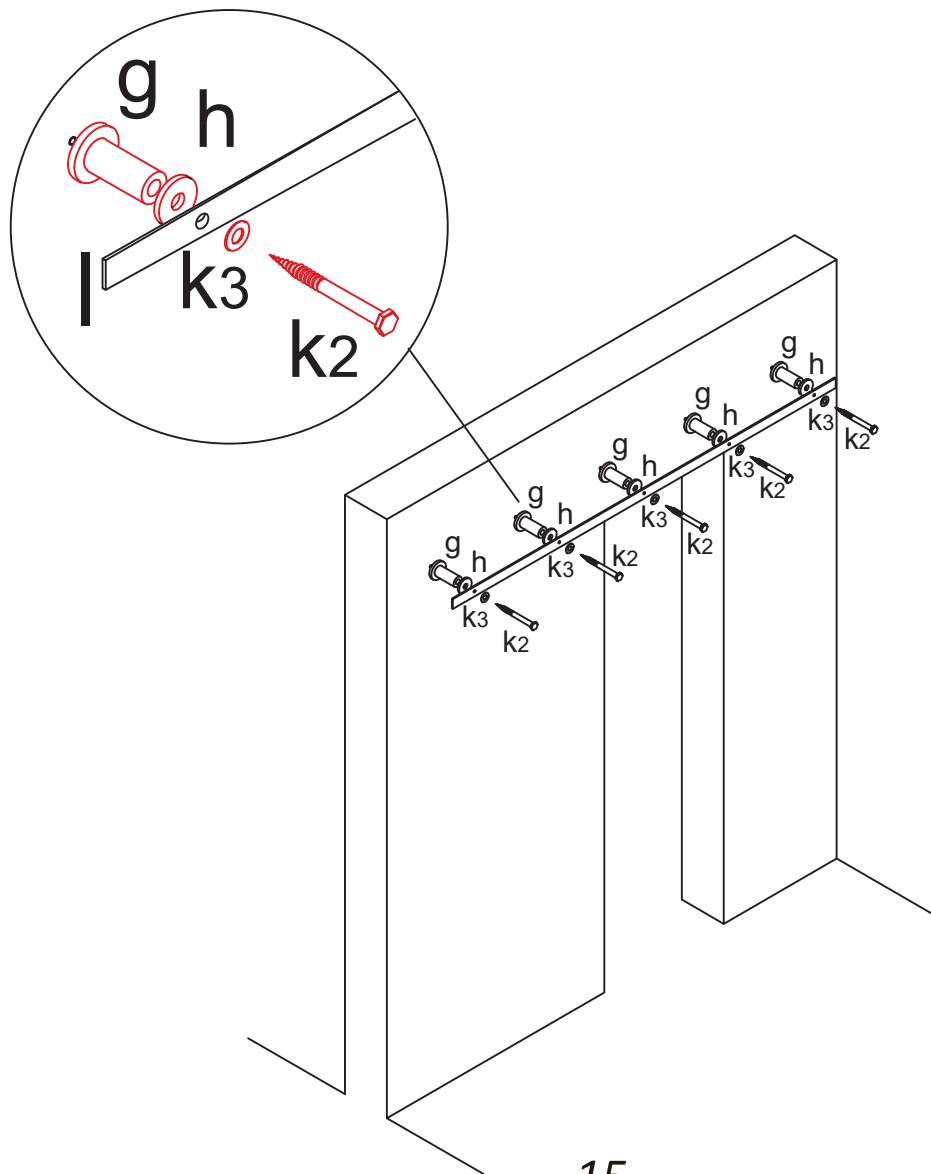


Step 11: Use a hammer to nail (K) into the wall

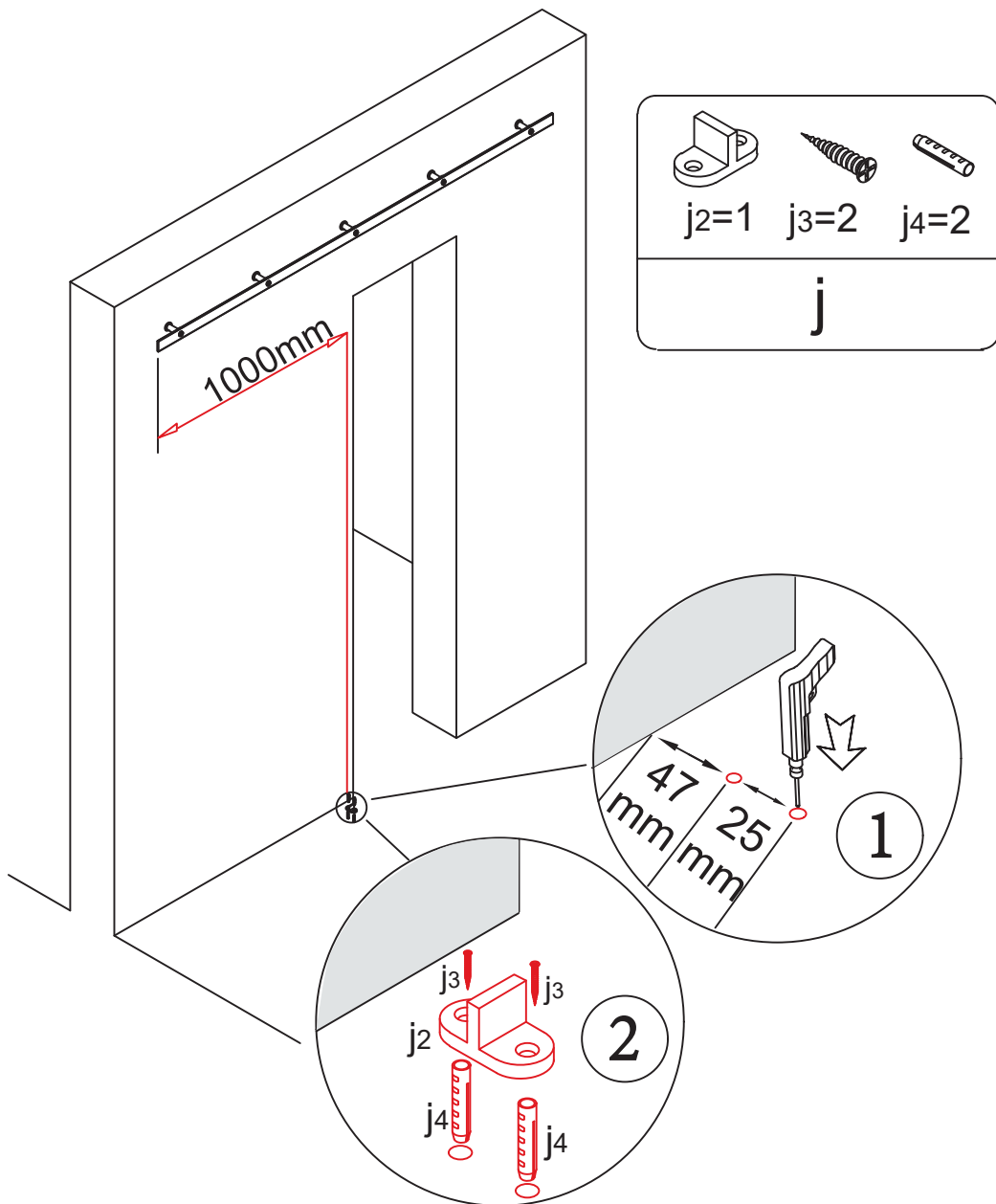


Step 12: As shown in the picture, install the (I) guide rail according to the position in the picture. Do not tighten the screws until the five screws are installed.

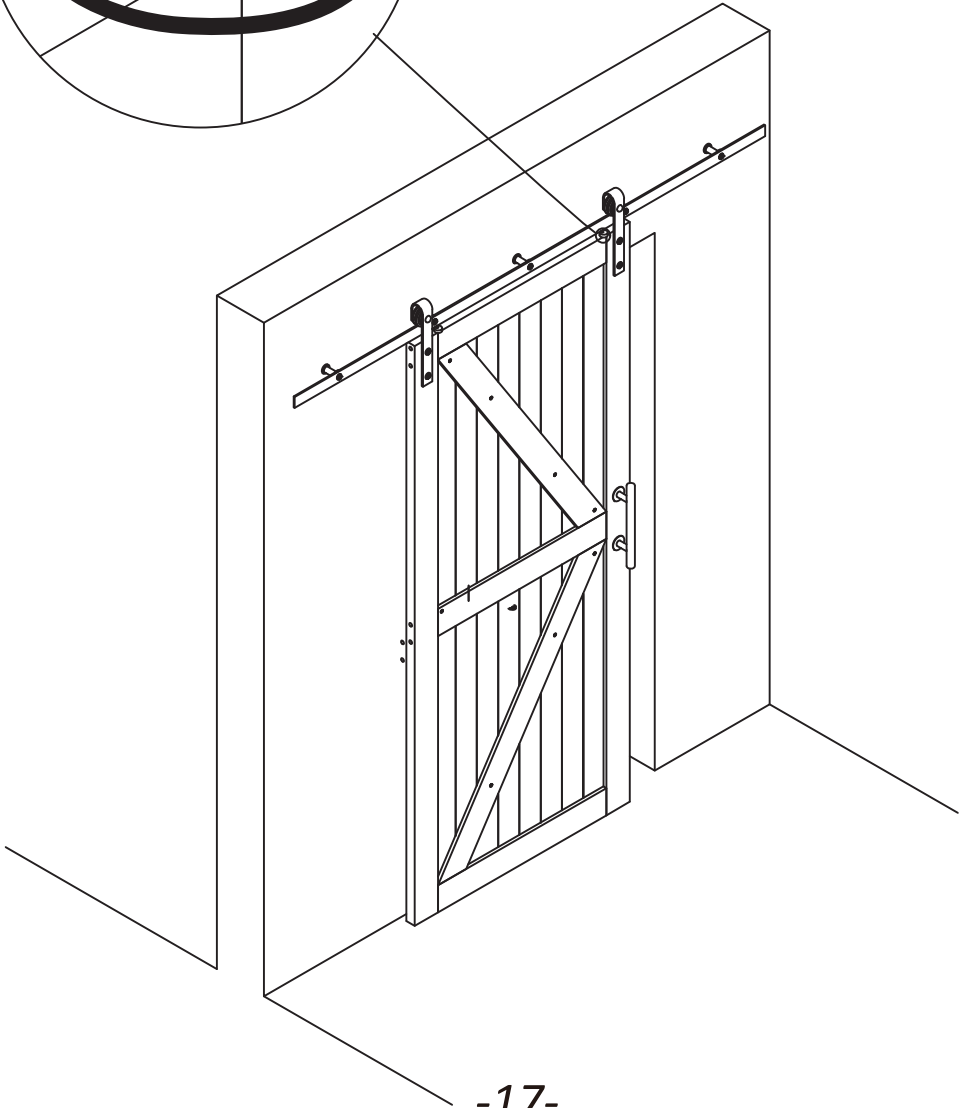
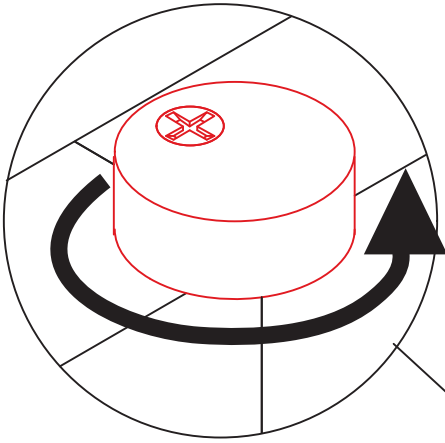
I	x1	g	x5	h	x5	k	



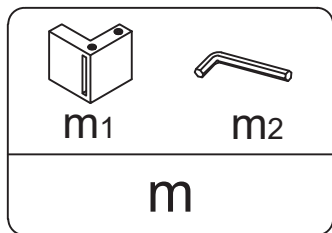
- Step 13 :** 1. First use a drill to drill the holes according to the distance shown in the figure, and then use a hammer to drive (J4) into the hole.
2. Use (J3) screws to fix the (J2) Floor guide.



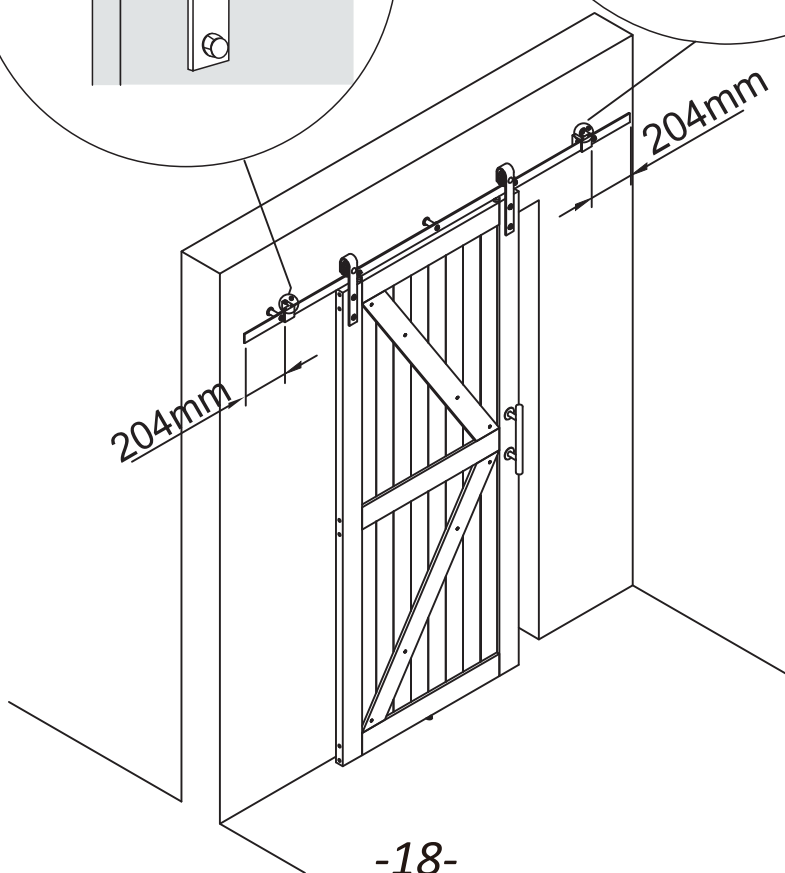
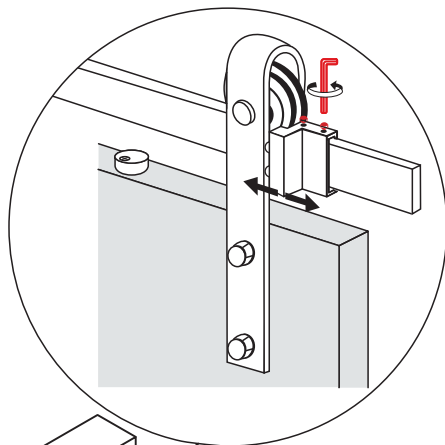
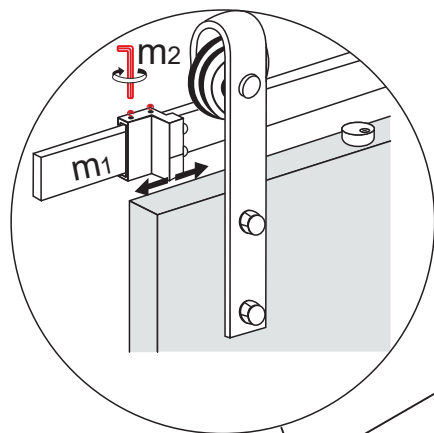
Step 14 : Turn the rubber ends approximately 180 degrees sothat they are stuck between the door and the rail.



Step 15: Insert the door stopper into the ends of the rail, adjust the two (m1) door stoppers to find the appropriate position and secure in place with the (m2) hexagonal wrench.



Repeat the previous step to complete the installation



AFTER-SALES SERVICE CARD

We sincerely thank you for trusting our service and our products, and may this product add enrichment to your home. We guarantee that the product has undergone strict quality inspection and meticulous packaging. If you encounter any issue regarding either shipping or the product, please feel free to contact us at any time. We'd be more than happy to serve you wholeheartedly.

- This manual contains important information and keep it properly.
- Please avoid harsh, corrosive and abrasive cleaners.
- Keep dry and avoid damp environments.

Email : help@EverythingSupport.com

Address: 3005 Breckinridge Blvd, Suite 200, Duluth, GA 30096

If you have any questions or concerns please feel free to contact us. We're committed to providing our customers with the quality service.