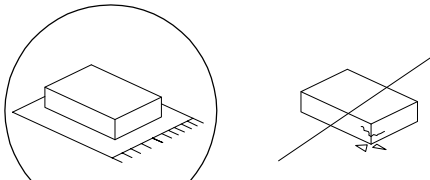

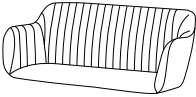
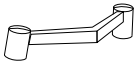
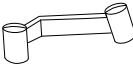
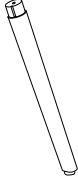


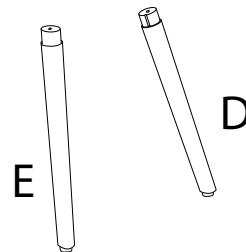
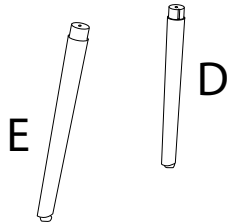
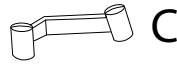
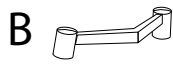
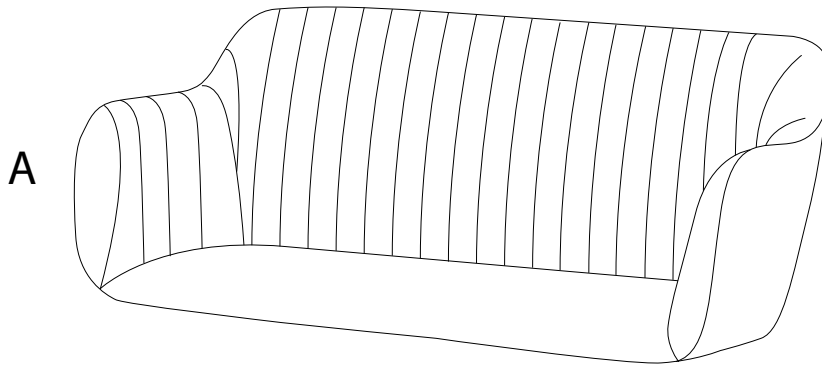
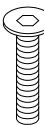
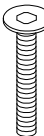
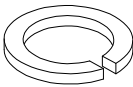
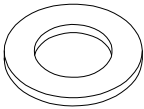
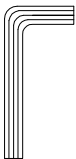
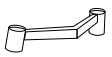



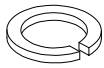
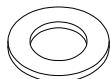
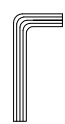
	<p>20'</p>
		
		<p>1</p>

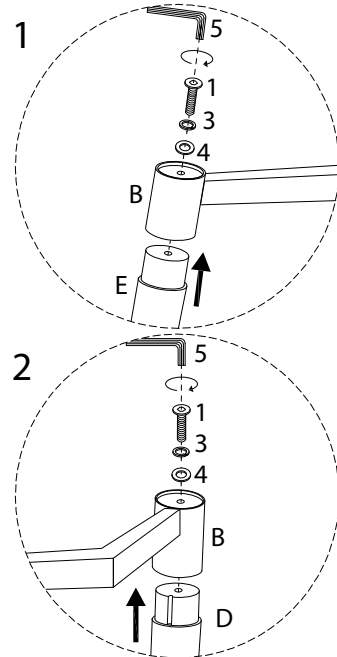
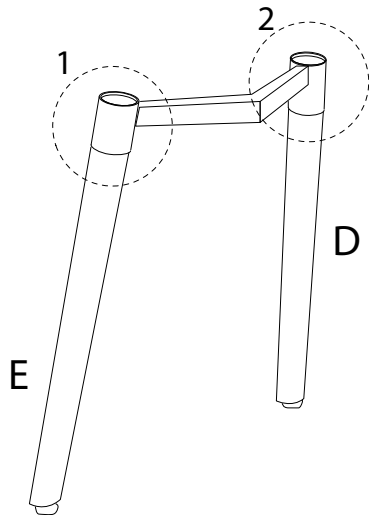
<b>A</b>	<b>B</b>	<b>C</b>	<b>D</b>	<b>E</b>	<b>F</b>
					
<b>x 1</b>	<b>x 1</b>	<b>x 1</b>	<b>x 2</b>	<b>x 2</b>	<b>x 1</b>



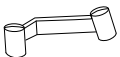


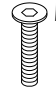


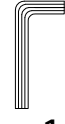
<b>1</b>	<b>2</b>	<b>3</b>	<b>4</b>	<b>5</b>
 M6 x 30	 M6 x 40			
<b>x 4</b>	<b>x 6</b>	<b>x 10</b>	<b>x 10</b>	<b>x 1</b>

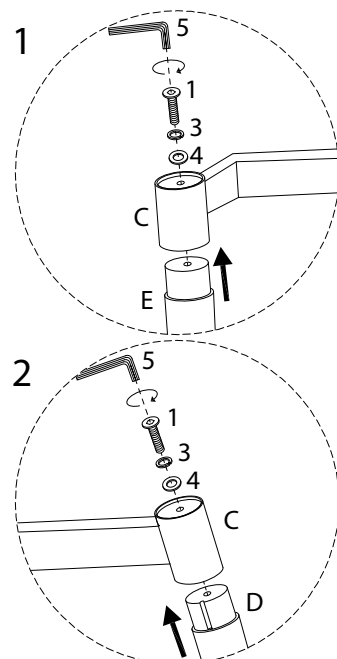
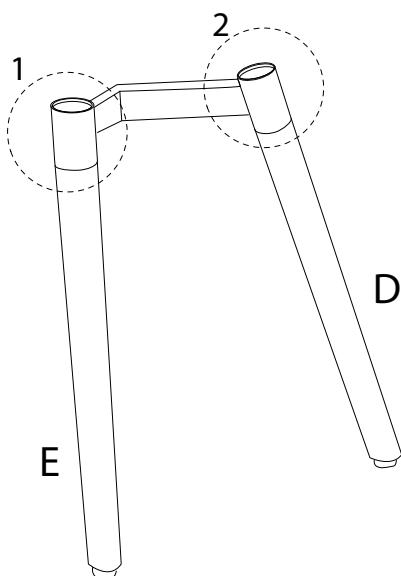
1

<b>B</b>  x 1	<b>D</b>  x 1	<b>E</b>  x 1	<b>1</b>  M6 x 30 x 2	<b>3</b>  x 2	<b>4</b>  x 2	<b>5</b>  x 1
--	--	--	---	---	--	--

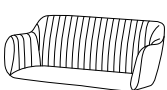
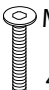
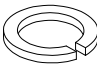
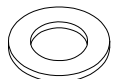



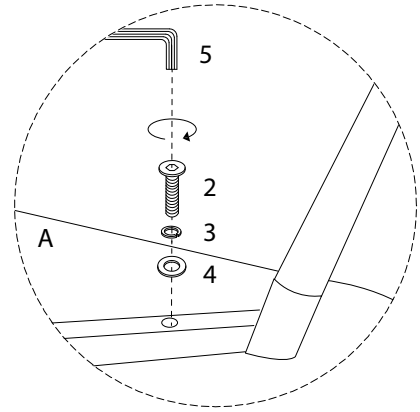
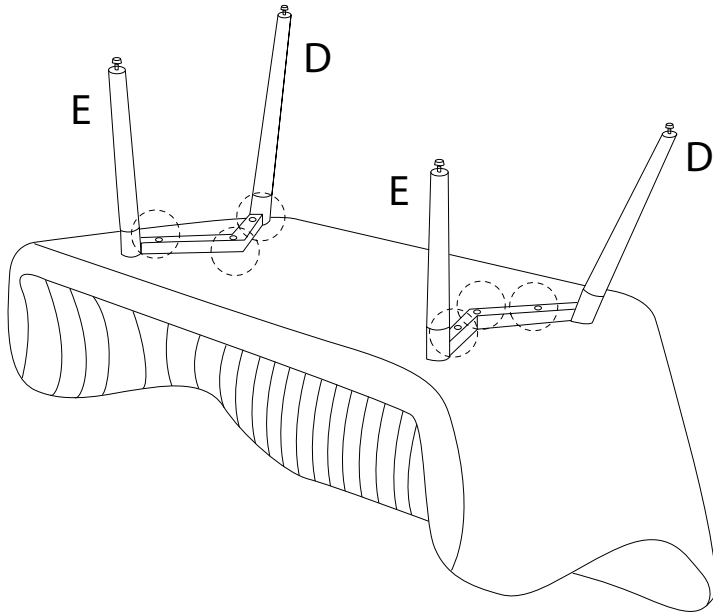
2

<b>C</b>  x 1	<b>D</b>  x 1	<b>E</b>  x 1	<b>1</b>  M6 x 30 x 2	<b>3</b>  x 2	<b>4</b>  x 2	<b>5</b>  x 1
--	--	--	---	---	--	--

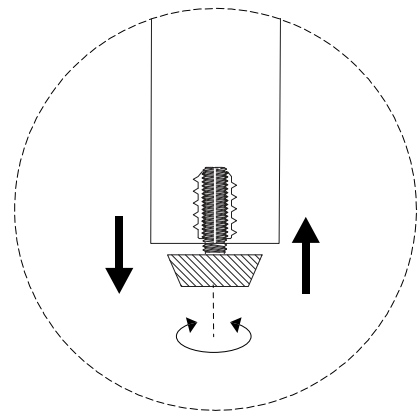
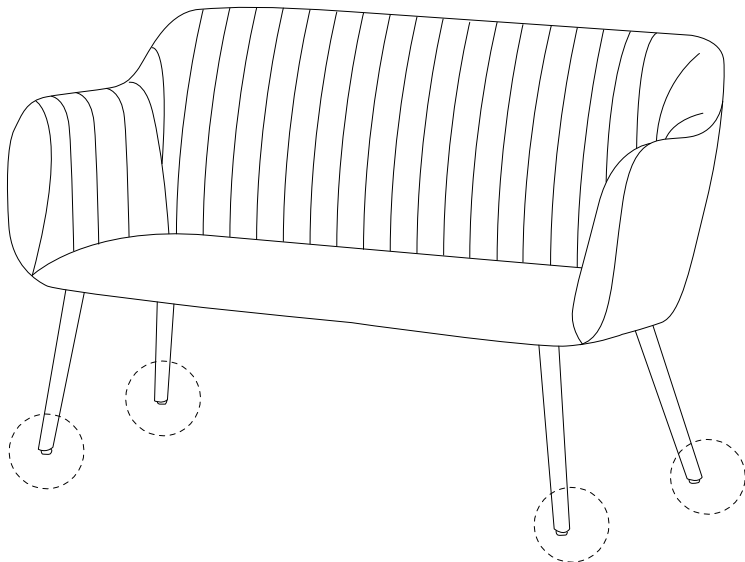


3

<p>A</p>  <p>x 1</p>	<p>2</p>  <p>M6 x 40</p> <p>x 6</p>	<p>3</p>  <p>x 6</p>	<p>4</p>  <p>x 6</p>	<p>5</p>  <p>x 1</p>
---	--	---	---	---



4



5

