

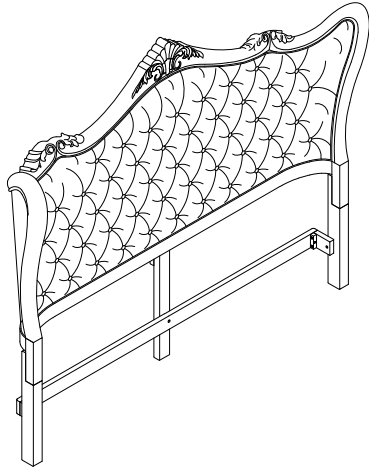
ASSEMBLY INSTRUCTION FOR ACME FURNITURE

ITEM: ACME#BD00601CKEK1

DESCRIPTION: EASTERN KING BED HEADBOARD

Thank you for purchasing this quality product. Be sure to check all packing materials carefully for small parts, which may have come loose inside the carton during shipment. Identify and count all parts and compare with the parts list below.

**** Do not fully tighten screws until fully assembled ****



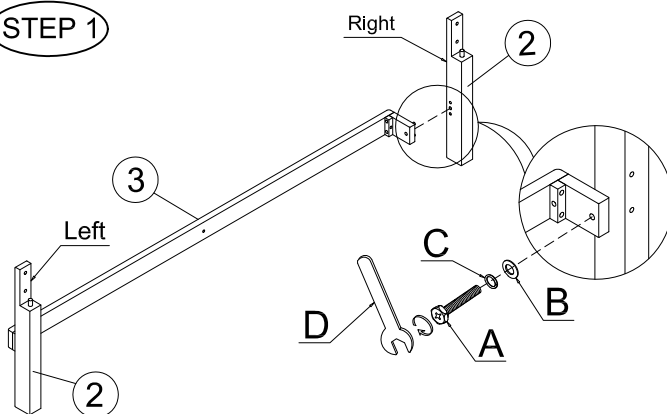
PARTS LIST:

①		②		③		④	
HEADBOARD: 1PC		LEGS: 2PCS		HEADBOARD SLAT: 1PC		CENTER POST: 1PC	

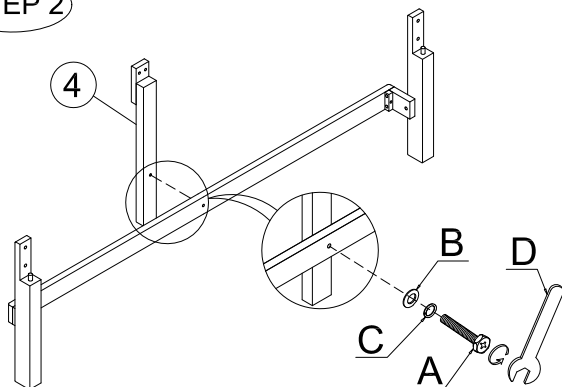
HARDWARE LIST

NO.	Drawing	Description	Q'ty
A		Bolt (Ø5/16"×1-3/4")	9pcs
B		Flat washer (Ø5/16"×19mm)	9pcs
C		Spring washer (Ø5/16")	9pcs
D		Ø5/16" Wrench(12mm)	1pc

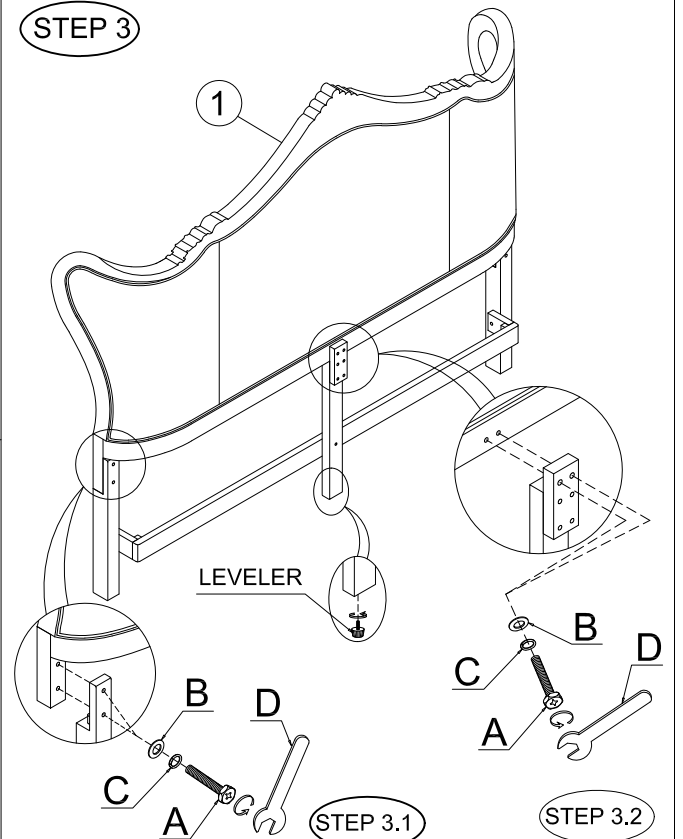
STEP 1



STEP 2



STEP 3



CLEANING INSTRUCTION

Clean the King poster headboard surface with a furniture polish and a soft cloth.

Attention

*** Some number parts listed on the instruction sheet may not be in parts bag as they may be assembled. Carefully check parts and packing materials prior to ordering replacements.***

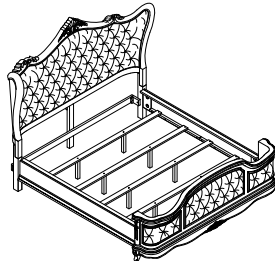
ASSEMBLY INSTRUCTION FOR ACME FURNITURE

ITEM: ACME#BD00601CKEK1-BD00601CKEK2-BD00601CK3

DESCRIPTION: CAL KING BED

Thank you for purchasing this quality product. Be sure to check all packing materials carefully for small parts, which may have come loose inside the carton during shipment. Identify and count all parts and compare with the parts list below.

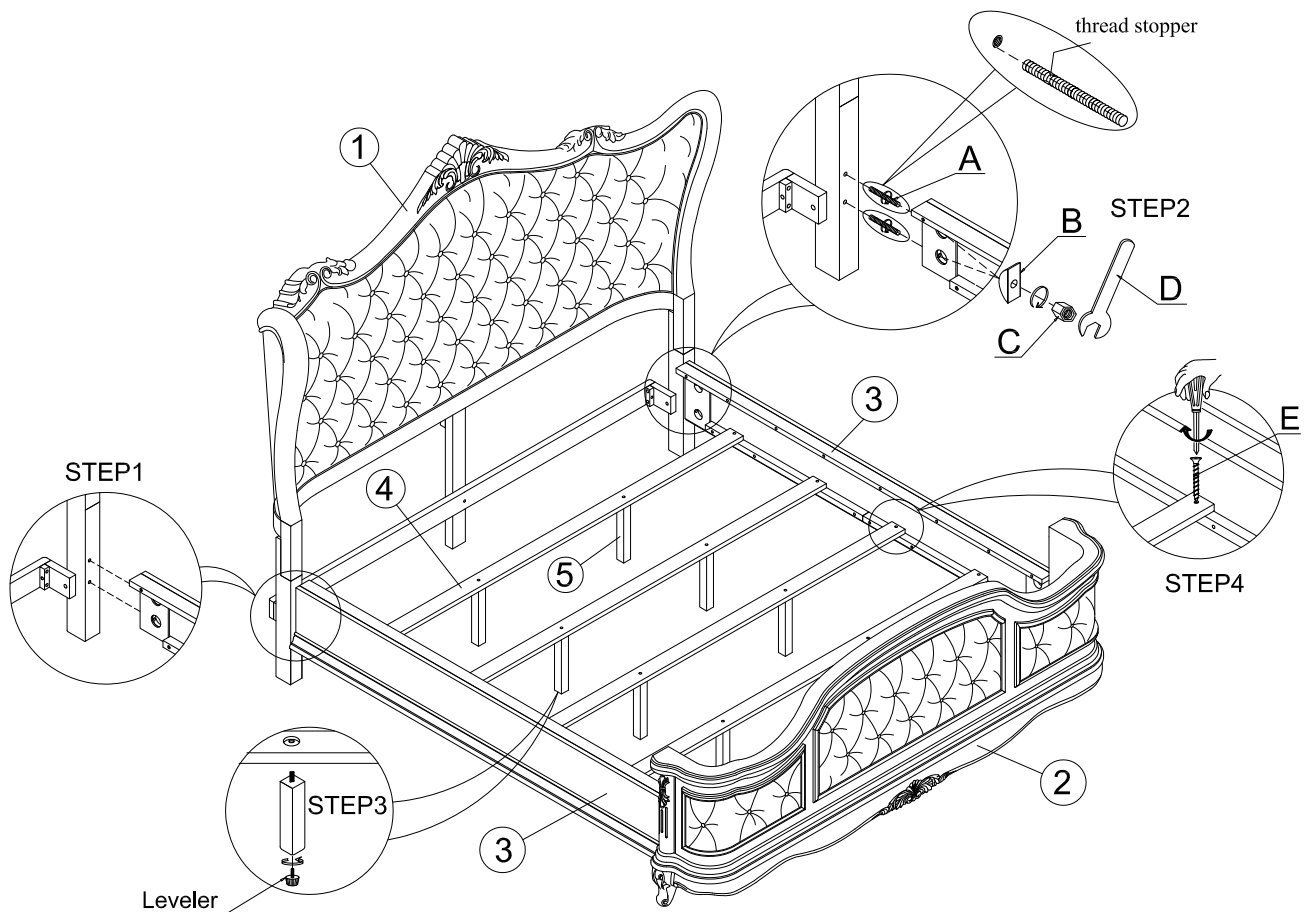
**** Do not fully tighten screws until fully assembled ****



HARDWARE LIST			
NO.	Drawing	Description	Q'ty
A		Threaded Bolt (Ø5/16"X3-1/2")	8pcs
B		Flat washer (Ø28x14.5x7.5)	8pcs
C		Hex Nut (Ø5/16")	8pcs
D		Ø5/16" Wrench(12mm)	1pc
E		Wood screw Ø8x1"	8pcs

PARTS LIST:

HEADBOARD: 1PC	FOOTBOARD: 1PC	SIDE RAIL: 2PCS	SLATS : 4PCS	SUPPORT LEGS: 8PCS



CLEANING INSTRUCTION

Clean the Cal king bed surface with a furniture polish and a soft cloth.

Attention

*** Some number parts listed on the instruction sheet may not be in parts bag as they may be assembled. Carefully check parts and packing materials prior to ordering replacements.***