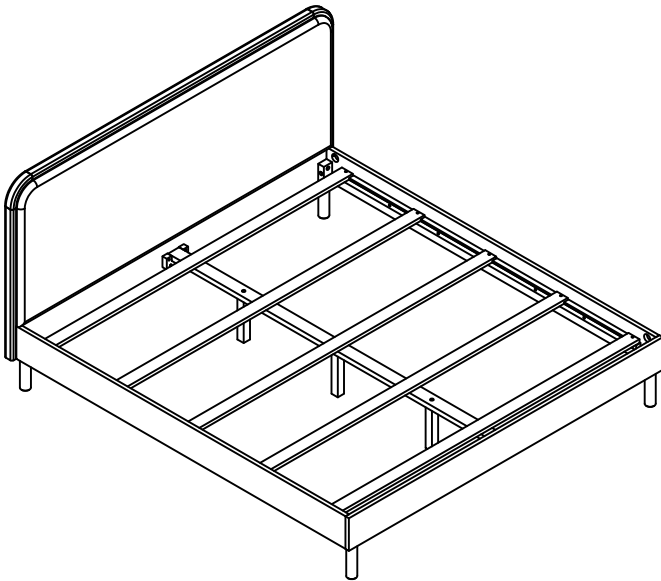


WOOD FRAME QUEEN BED

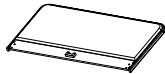
Assembly Instructions



Everything we make is incredibly simple to set up, including your new bed. You won't need any additional tools.

Parts List

A x 1
HEADBOARD



B x 1
FOOTBOARD



C x 2
LEGS (LEFT)



D x 2
LEGS (RIGHT)



E x 2
SIDE RAILS (R&L)



F x 2
CENTRE SUPPORT RAIL



G x 6
CENTRE LEGS



H x 5
SLATS



Hardware List

HW1 x 8
Metal thread 8x70mm



HW2 x 8
Semicircle washer 7x15x30mm



HW3 x 8
Nut 8mm



HW4 x 1
Spanner



HW5 x 12
Flat washer 8mm



HW6 x 12
Spring washer 8mm



HW7 x 8
Bolt 8x45mm



HW8 x 1
Allen key



HW9 x 3
Bolt 6x40mm



HW10 x 4
Bolt 8x60mm

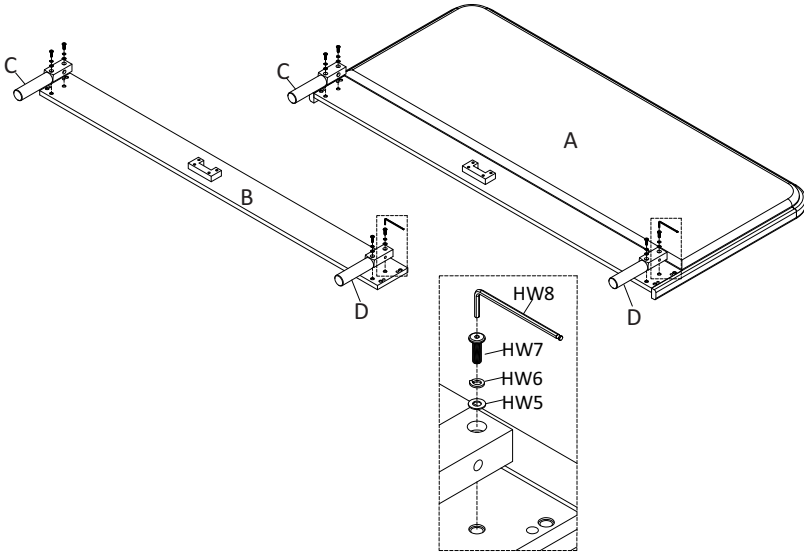


HW11 x 10
Screw 4x30mm



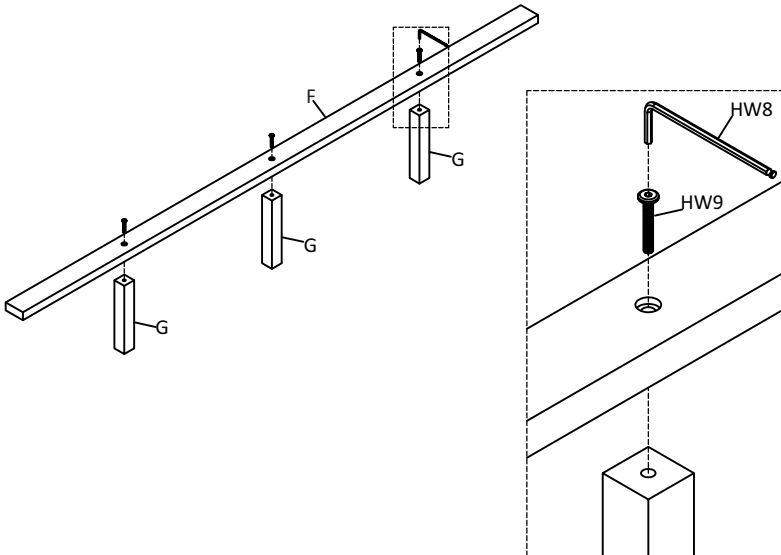
1

Place the spring washers (HW6) and the flat washers (HW5) on the bolts (HW7). Attach the legs (C&D) to the footboard (B) and headboard (A) by using the Allen Key (HW8) to screw in the bolts (HW7) with the washers as shown.



2

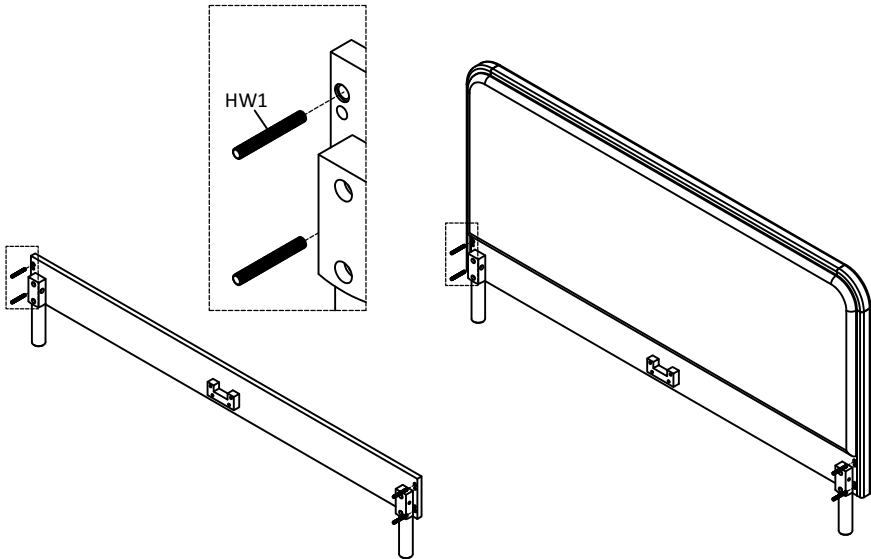
Attach the center support legs (G) to the center support rails (F) by using the Allen Key (HW8) to screw in the bolts (HW9) as shown.



3

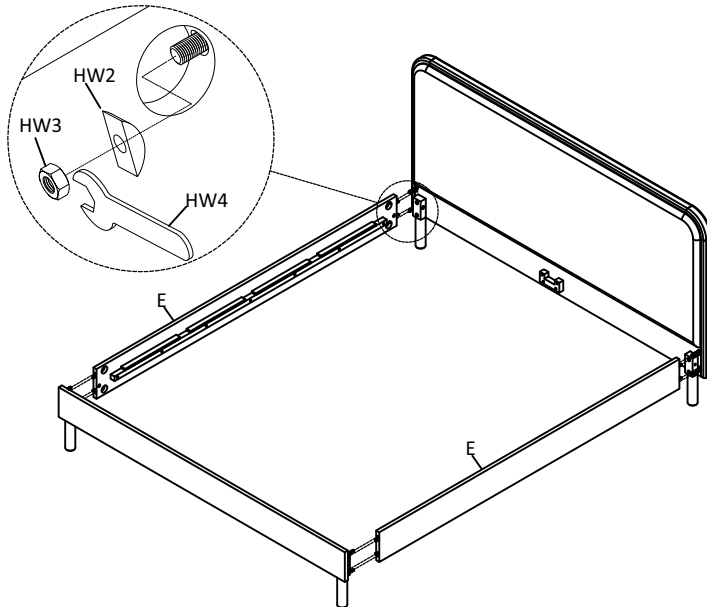
3

Attach the metal threads (HW1) to the headboard (A) and footboard (B) as shown.



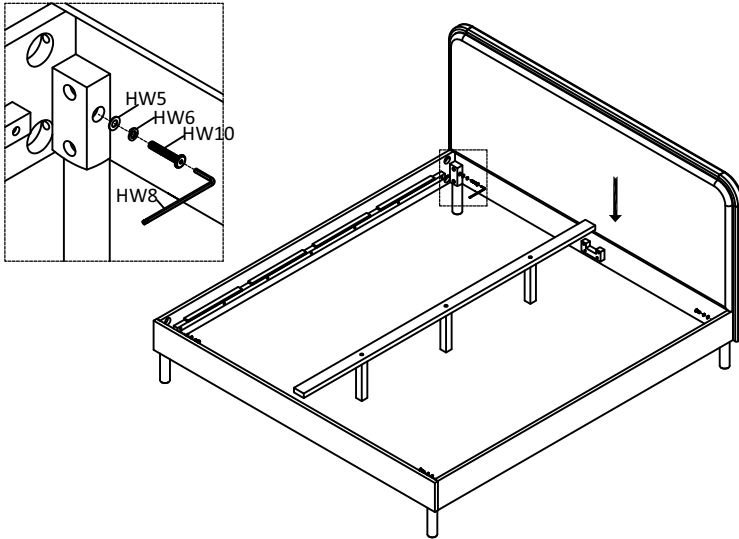
4

Attach the side rails (E) to the headboard (A) and footboard (B) by placing the metal threads through the holes on the side rails (E). Screw the semicircle washers (HW2) onto the metal threads. Then use the spanner (HW4) to screw on the nuts (HW3).



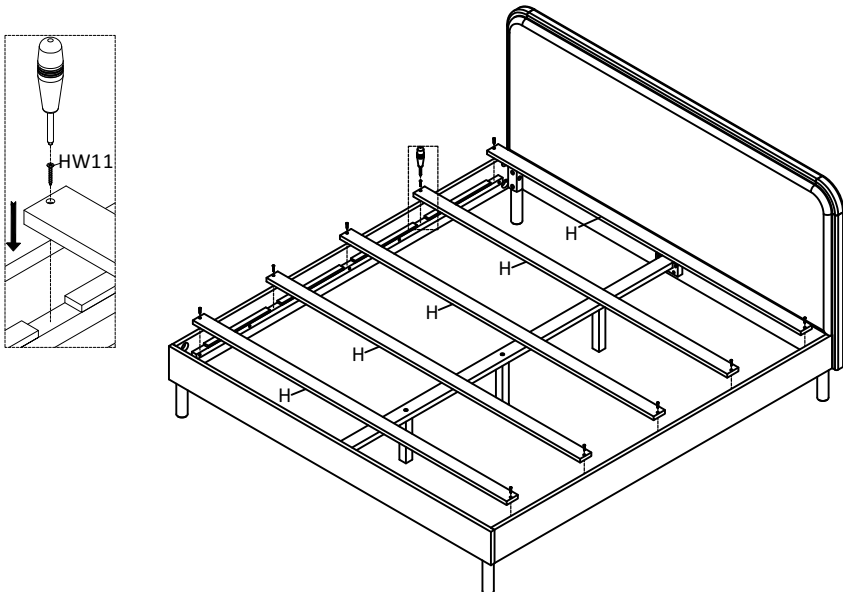
5

Connect the legs (C&D) to the side rails (E) by using the Allen Key (HW8) to screw in the bolts (HW10) with the spring washers (HW6) and flat washers (HW5) as shown. Place the center support rails on the bed frame as shown.



6

Place the slats (H) inside the bed frame as shown. Secure the slats (H) to the side rails by using a screwdriver to screw in the screws (HW11) as shown.



7

Place the bed in the place where you will use it. We'd love to see it – just tag us on Instagram!

