

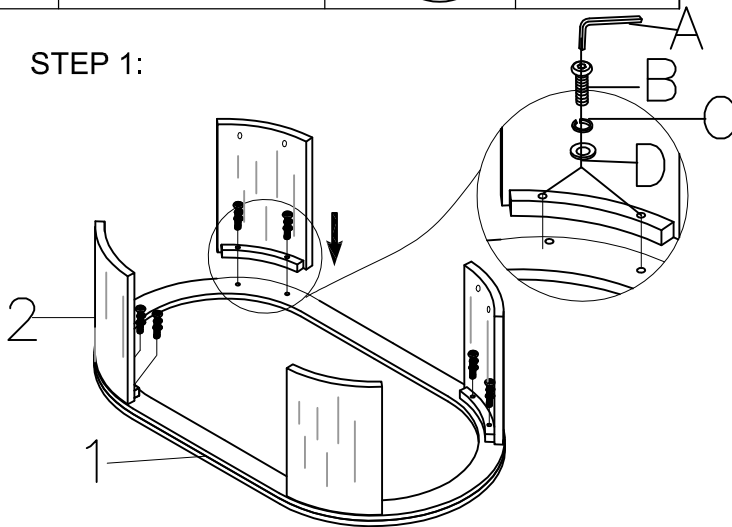
Assembly Instructions

ITEM NO.:11035 /11036

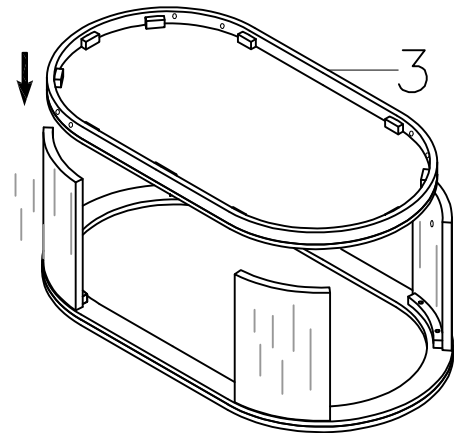
Thank you for purchasing this quality product. Be sure to check all packing material carefully for small parts that may have come loose inside the carton during shipment. (Note: Loosely thread all screws/bolts first. Once the item is assembled then completely tighten.)

PARTS LIST:				HARDWARE LIST:				
No.	Description	Sketch	Quantity	No.	Sketch	Description	Size	Quantity
1	Top table		1 pc	A		Allen Wrench	φ4*60mm	1 PC
				B		Bolt	φ8**38mm	16 PCS
				C		Lock Washer	φ8*13mm	16 PCS
2	Legs		4pcs	D		Flat Washer	φ8*19mm	16 PCS
3	Bottom		1pc					

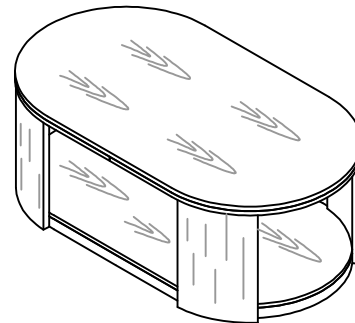
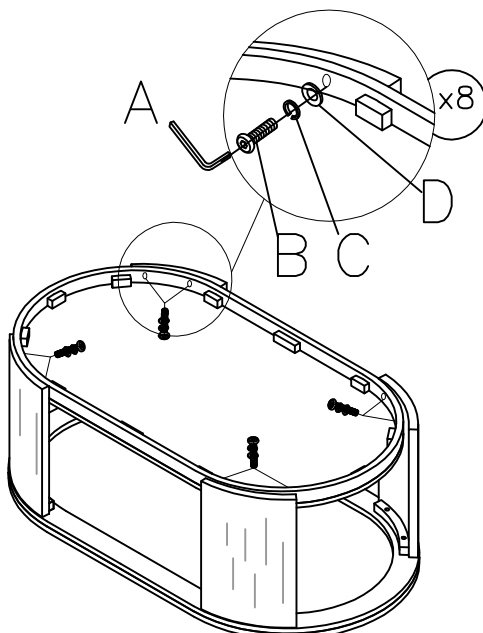
STEP 1:



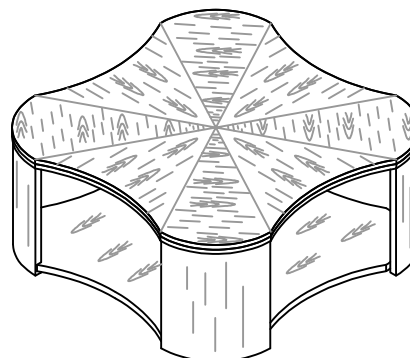
STEP 2:



STEP 3:



ITEM NO.:
11035#



ITEM NO.:
11036#

FINISH