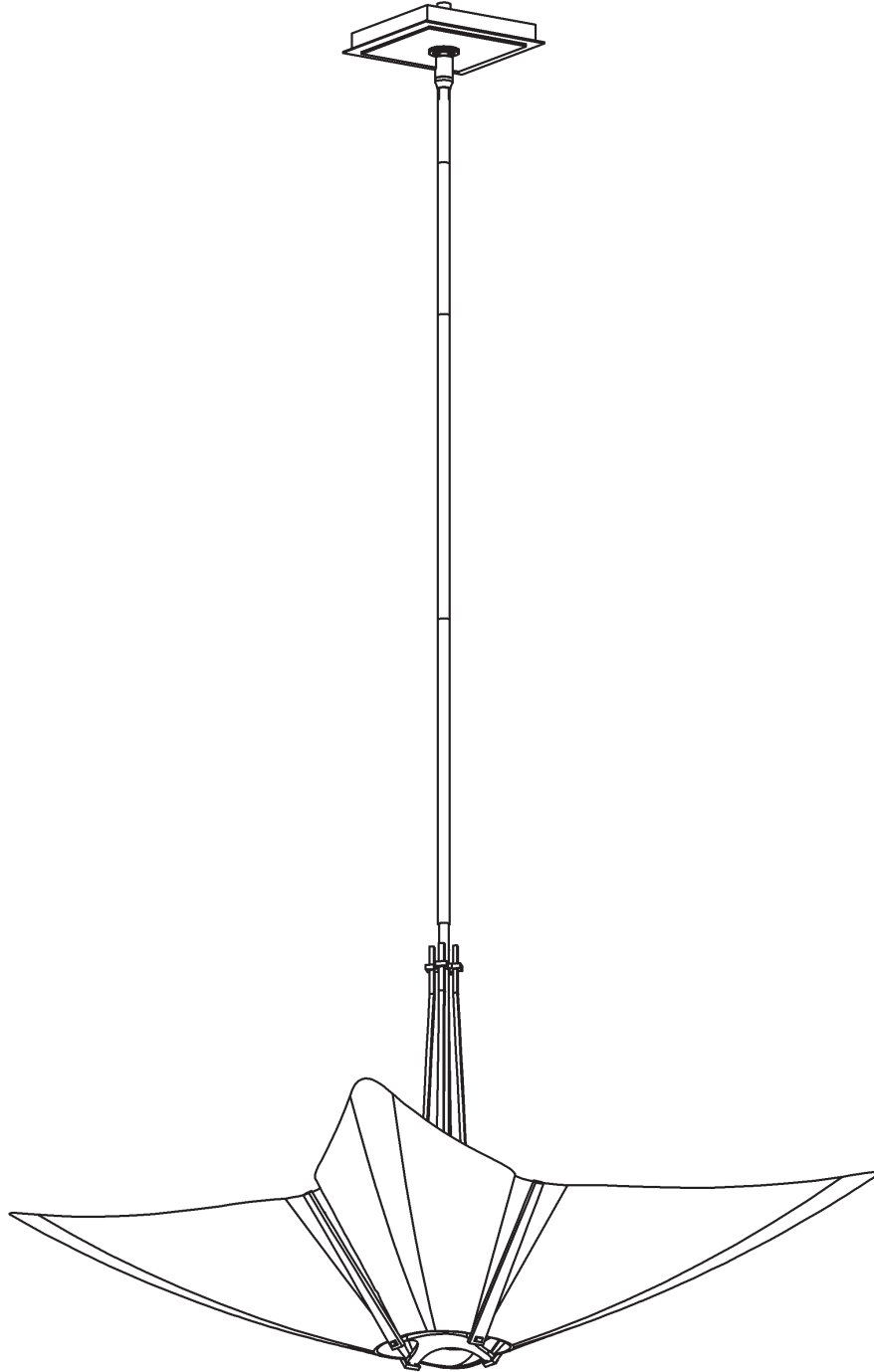


# ASSEMBLY & INSTALLATION INSTRUCTIONS

A789

Kirigami 4 Light Pendant 133305

---



HUBBARDTON FORGE.

MODERN AMERICAN BLACKSMITHS | FINE, HAND CRAFTED LIGHTING  
CASTLETON, VERMONT USA | HUBBARDTONFORGE.COM

## Component Parts

<b>A Fixture</b>	<b>N Bulb (not included)</b>
<b>B Crossbar</b>	<b>O Hex Nut</b>
<b>C Jam Nut</b>	<b>P Diffuser Top Plate</b>
<b>D Threaded Nipple</b>	<b>Q Nipple</b>
<b>E Ground Screw</b>	<b>R Bottom Assembly</b>
<b>F Canopy Ring</b>	<b>S Shade</b>
<b>G Canopy</b>	<b>T Threaded Knob (4)</b>
<b>H Swivel</b>	<b>U Threaded Stud (4)</b>
<b>I 3" Fixture Pipe (1)</b>	<b>V Diffuser</b>
<b>J 6" Fixture Pipe (1)</b>	<b>W Alignment Pin</b>
<b>K 12" Fixture Pipe (2)</b>	<b>X Spring</b>
<b>L Stem Nipple (4)</b>	<b>Y Flat Head Screw (4)</b>
<b>M Socket (4)</b>	<b>Z Locking plate</b>



# ASSEMBLY & INSTALLATION INSTRUCTIONS

A789

Kirigami 4 Light Pendant 133305

**CAUTION: FAILURE TO INSTALL THIS FIXTURE PROPERLY MAY RESULT IN SERIOUS PERSONAL INJURY OR DEATH AND PROPERTY DAMAGE.** We recommend installation by a licensed electrician. This product must be installed in accordance with applicable installation code(s), by a person familiar with the construction and operation of the product and the hazards involved.\*

Caution: Do not exceed maximum wattage noted on fixture. Use only recommended bulbs with fixture.

Please Note: After installation extra hardware and accessories are possible due to our kits are used on multiple products and options.

## To Install Fixture (Figure 1) on following page

**CAUTION: BE SURE POWER IS OFF AT THE MAIN BREAKER BOX PRIOR TO INSTALLATION.**

1. Carefully unpack fixture (A) from the carton.
2. Frame (P) is shipped installed on fixture (A), remove frame (P) by loosening binding screws (R) and binding nuts (Q) and set aside for use in installing glass.
3. Thread jam nut (C) and crossbar (B) onto threaded nipple (D) with ground screw (E) facing towards swivel (HI); leave both parts loose.
4. Using two machine screws (not provided), temporarily fasten crossbar (B) to the electric box.

**NOTE: A NEW ELECTRIC BOX COMES WITH SCREWS. WHEN REPLACING A FIXTURE, RETAIN THE EXISTING SCREWS FOR USE WITH THE NEW FIXTURE.**

5. Adjust the length of threaded nipple (D) in crossbar (B) so that canopy ring (F) will hold canopy (G) against the ceiling with no threads showing for best appearance. When the correct adjustment is established, tighten jam nut (C) against crossbar (B) to secure the adjustment.
6. Remove crossbar (B) from the electrical box and proceed with the assembly instructions.
7. Locate fixture pipes (I, J, K), fixture (A), stem nipples (L) . Stem nipples (L) can be found in the kit bag.
8. Provided are multiple fixture pipes in three different lengths. Choose the combination that will achieve the overall height desired. Refer to the table below to determine the pipes required to reach the desired overall height. Once you have determined the components necessary, feed the wires that exit fixture (A) through the individual components and thread pipes and nipples together. Wires will slip easier through loose components than through pipes and nipples that are pre-assembled. Once wires are run, apply thread locking compound to all the connection points and assemble the pipes and nipples.

		Overall Height of Fixture											
		19.4	22.4	25.4	28.4	31.4	34.4	37.4	40.4	43.4	46.4	49.4	52.4
# of Pipes Required	3" Pipe (J)		1		1		1		1		1		1
	6" Pipe (K)			1	1			1	1			1	1
	12" Pipe (L)					1	1	1	1	2	2	2	2

**NOTE: APPLICATION OF THE THREAD LOCKING COMPOUND IS NECESSARY TO PREVENT THE PIPE FROM LOOSENING DURING REGULAR MAINTENANCE AND CLEANING OF THE FIXTURE. BE CERTAIN TO APPLY THE COMPOUND.**

9. Carefully slide canopy ring (F) and canopy (G) over wires and fixture pipes (I, J, K) until they rest on fixture (A).
10. Slip wires from the fixture (A) through assembled swivel (H) and threaded nipple (D).
11. Refer to instructions on next page to continue installation.

# ASSEMBLY & INSTALLATION INSTRUCTIONS

A789

Kirigami 4 Light Pendant 133305

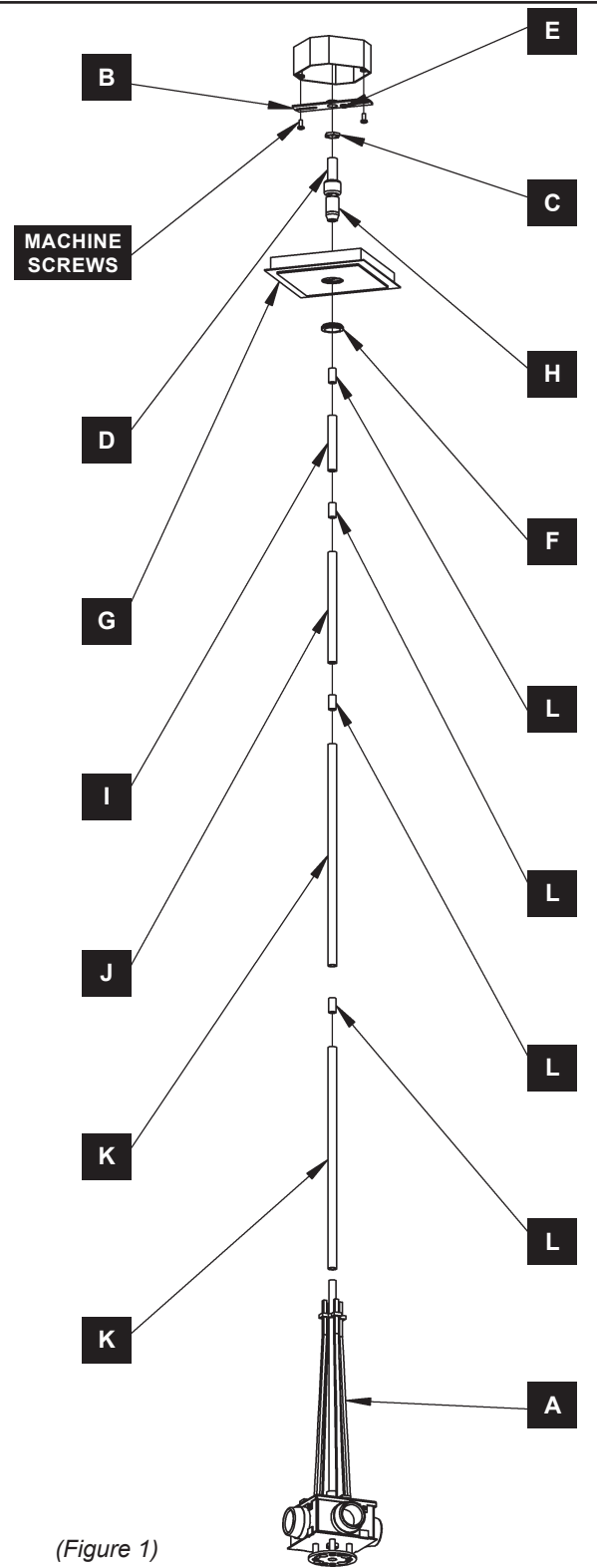
- Using two machine screws (not provided), fasten crossbar (B) to the electric box.
- Using suitable wire connectors (not provided) connect fixture wires to supply (white/ribbed to white and black/smooth to black). Attach a pigtail lead to crossbar ground screw (E). Hold canopy (G) close, connect all ground wires (bare copper or green to bare copper or green).

**CAUTION: MAKE SURE WIRE CONNECTORS ARE TWISTED ON SECURELY, AND NO BARE WIRE IS EXPOSED.**

- Slide canopy (G) against ceiling, and secure with canopy ring (F).

**CAUTION: BE SURE NO WIRES ARE PINCHED BETWEEN CANOPY (H) AND THE CEILING.**

- Refer to instructions on next page to install glass.



(Figure 1)



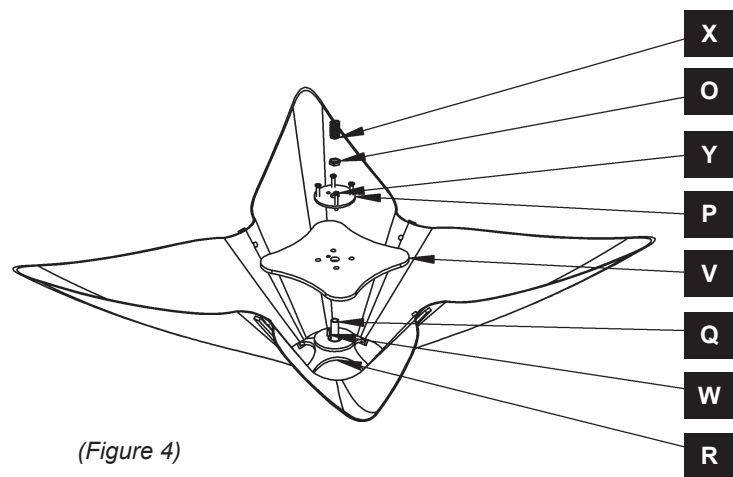
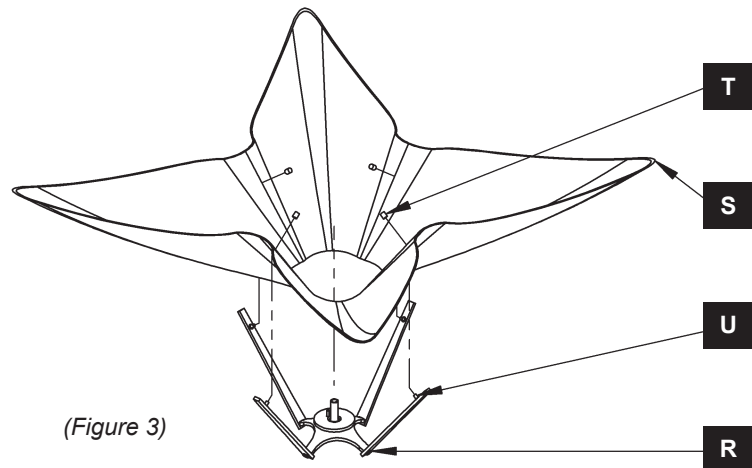
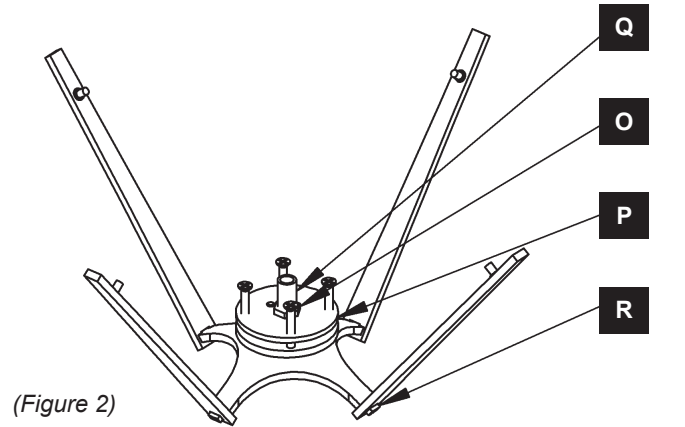
HUBBARDTON FORGE.

MODERN AMERICAN BLACKSMITHS | FINE, HAND CRAFTED LIGHTING  
CASTLETON, VERMONT USA | HUBBARDTONFORGE.COM

Kirigami 4 Light Pendant 133305

## To Assemble Bottom *(Figure 2,3,4)*

1. Remove hex nut (O) (Figure 2). Save for later use.
2. Slip diffuser top plate (P) with flat head screws (Y) installed off bottom assembly (R) (Figure 2). Save for later use.
3. Install shade (S) into bottom assembly by slipping the holes in the shade over the threaded studs (U) (Figure 3). Note: Be careful when installing shades not to allow the shade to come in contact with the three threaded studs. Contact with the studs will damage the shade and cause visible scratches
4. Install knobs (T) to keep shade (S) in place (Figure 3).
5. Slip diffuser (V) onto nipple (Q) aligning the alignment hole in the diffuser with the alignment pin (W). Note: if the other three holes in the diffuser don't hit the triangle on the bottom assembly remove the diffuser and flip over (Figure 4).
6. Thread the three flat head screws (Y) installed in the diffuser plate (P) so they protrude slightly out the bottom of the plate.
7. Align the diffuser top plate (P) so the three flat head screws (Y) align with the three holes in the diffuser (V) and slip onto the nipple (Q) until it rests on top of the diffuser.
8. Thread hex nut (O) onto nipple (Q) until it sits on top of the diffuser top plate (P). Tighten the hex nut being careful not to over tighten.
9. Thread the three flat head screws (Y) until they are snug.
10. Slip the spring (X) onto the nipple.
11. Refer to instructions following to complete installation.



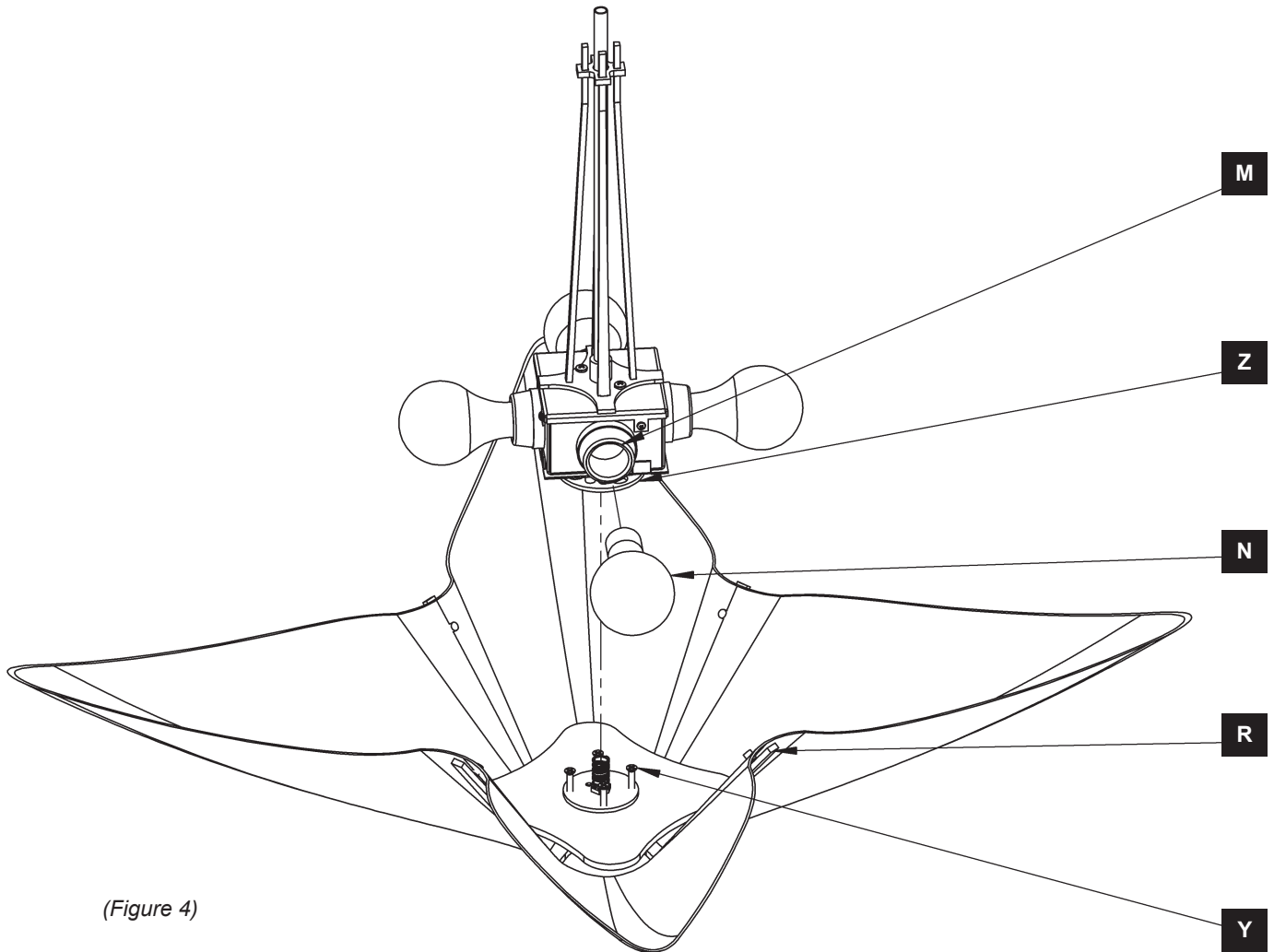
# ASSEMBLY & INSTALLATION INSTRUCTIONS

A789

Kirigami 4 Light Pendant 133305

## To install Bottom (Figure 5)

1. Raise bottom assembly (R) aligning flat head screws (Y) with the larger holes in the slots in the locking plate (Z).
2. Pushing up on the bottom assembly (O) turn clockwise until the bottom assembly stops in the locked position.
3. Install bulbs (N) Not Included into sockets (M)
4. Restore electricity at main breaker.



If you need further assistance, or find that you are missing any parts, please contact the dealer from which you purchased this product. We hope you enjoy your fixture!

**\* Hubbardton Forge will not be liable for injury or damage caused by improper installation, lamping or use of this fixture.**



HUBBARDTON FORGE.

MODERN AMERICAN BLACKSMITHS | FINE, HAND CRAFTED LIGHTING  
CASTLETON, VERMONT USA | HUBBARDTONFORGE.COM

49658

6 OF 6