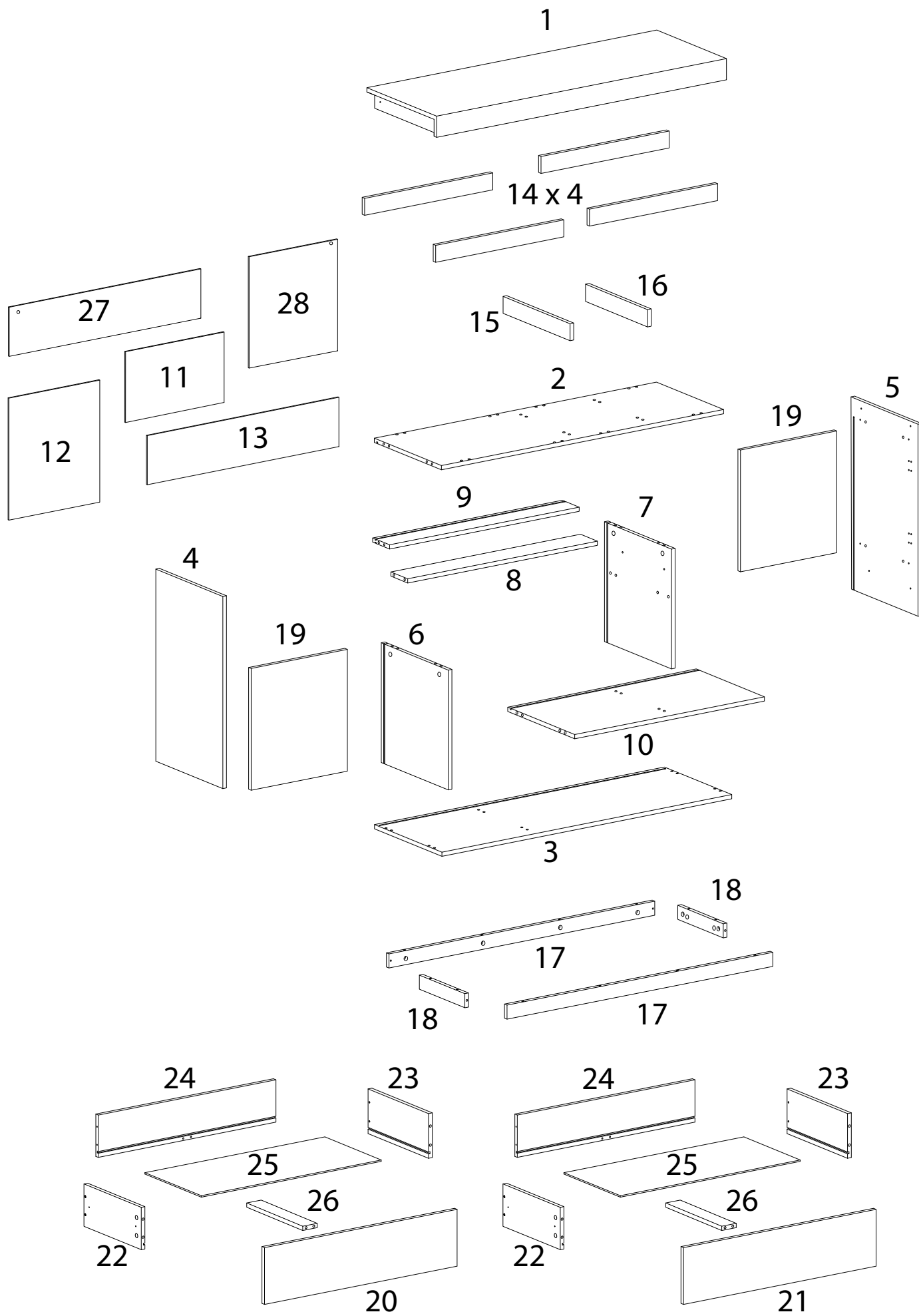
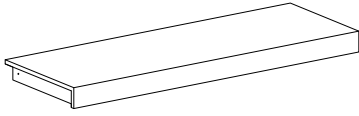

		2

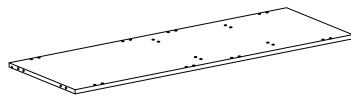


1



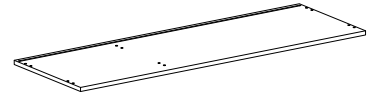
x 1

2



x 1

3



x 1

4



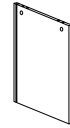
x 1

5



x 1

6



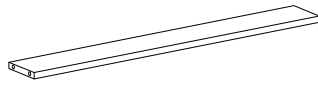
x 1

7



x 1

8



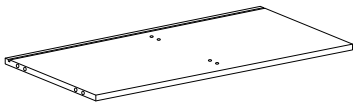
x 1

9



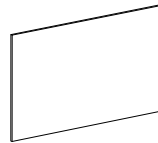
x 1

10



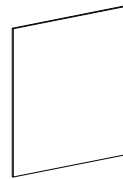
x 1

11



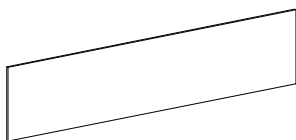
x 1

12



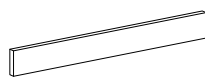
x 1

13



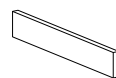
x 1

14



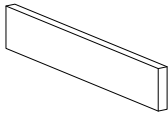
x 4

15



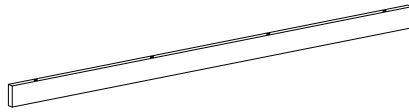
x 1

16



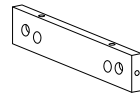
x 1

17



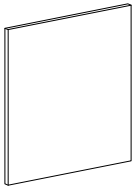
x 2

18



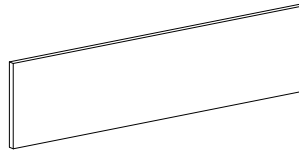
x 2

19



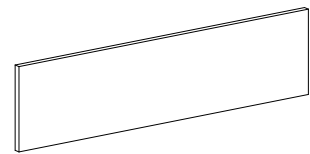
x 2

20



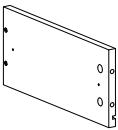
x 1

21



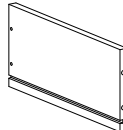
x 1

22



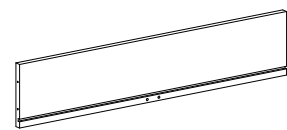
x 2

23



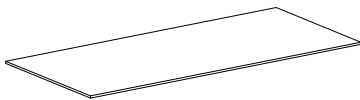
x 2

24



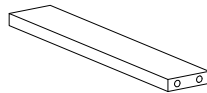
x 2

25



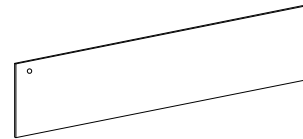
x 2

26



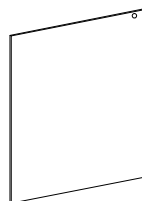
x 2

27



x 1

28



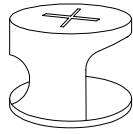
x 1

A



x 48

B



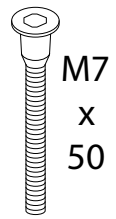
x 48

C



x 32

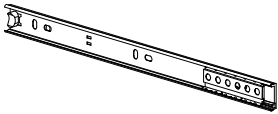
D



M7
x
50

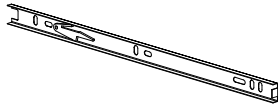
x 20

E



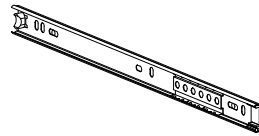
x 4

F



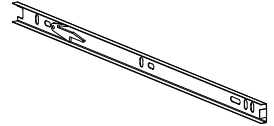
x 4

G



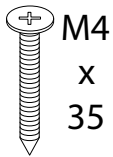
x 3

H



x 3

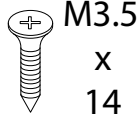
I



M4
x
35

x 12

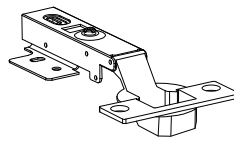
J



M3.5
x
14

x 74

K



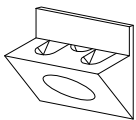
x 4

L



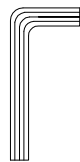
x 8

M



x 20

N



x 1

O



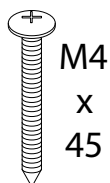
x 2

P



x 2

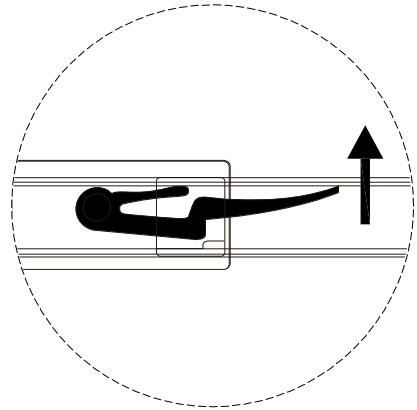
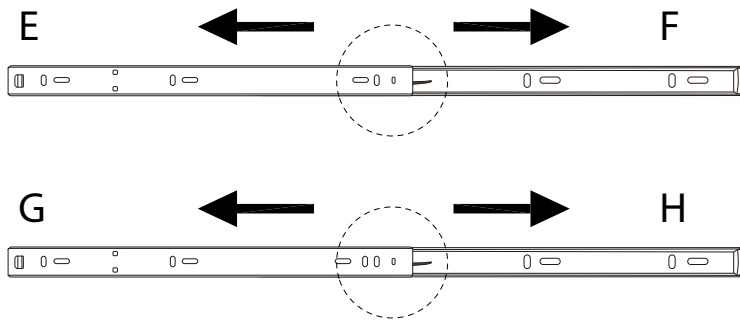
Q



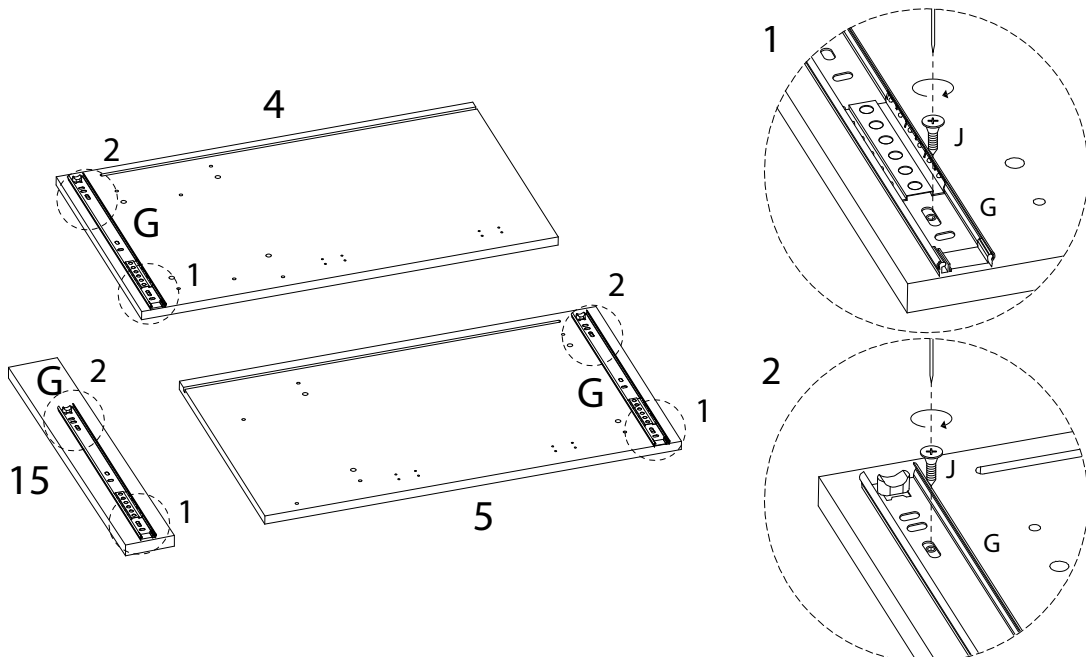
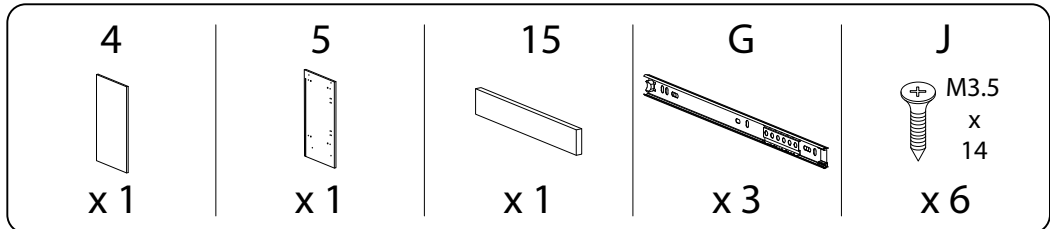
M4
x
45

x 2

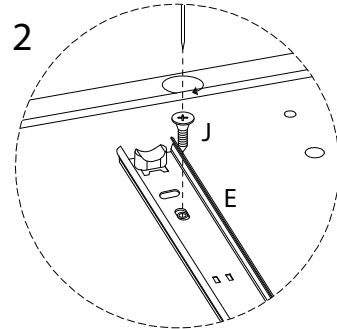
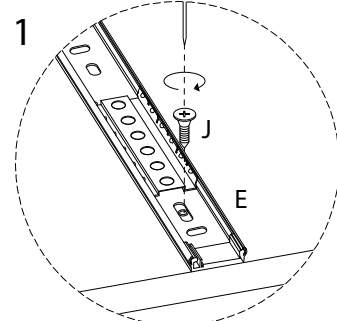
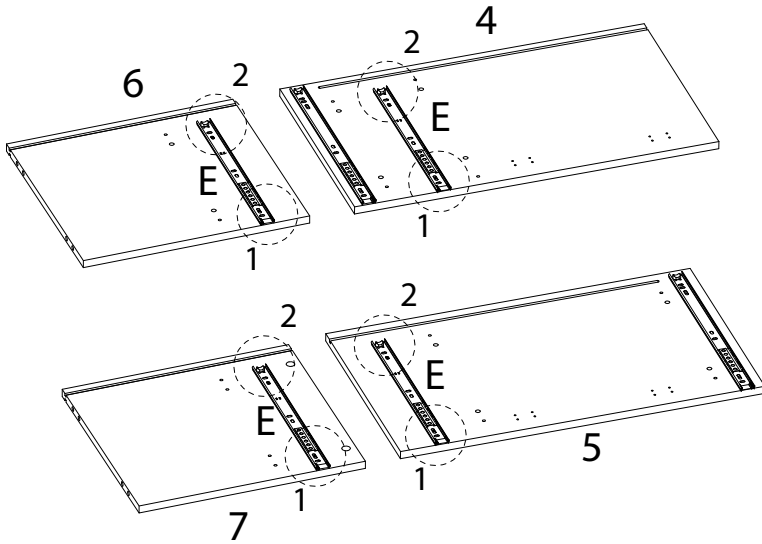
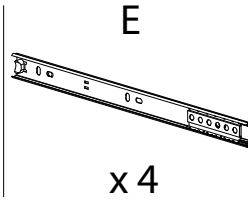
!



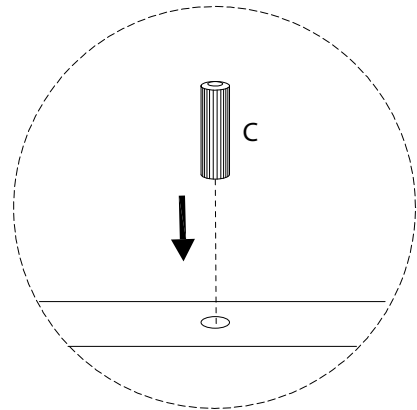
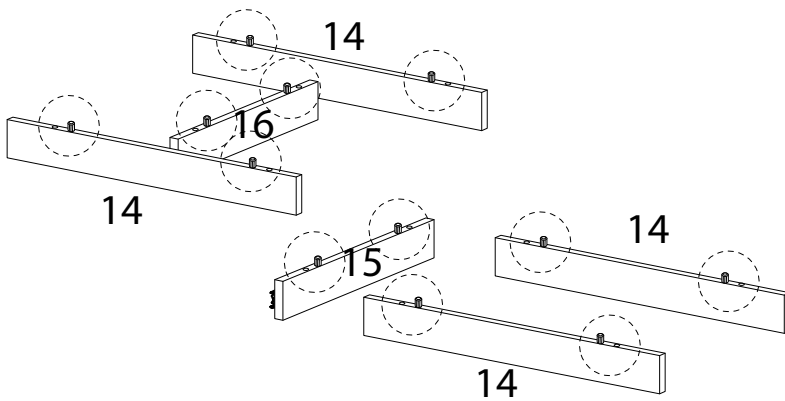
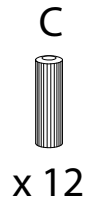
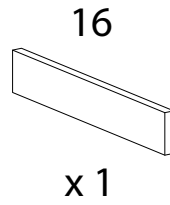
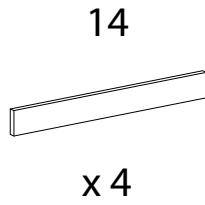
1



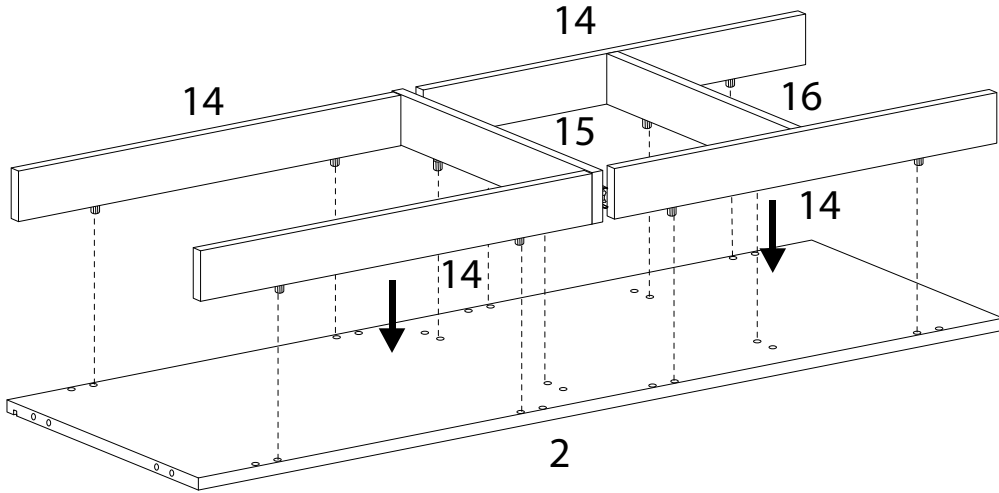
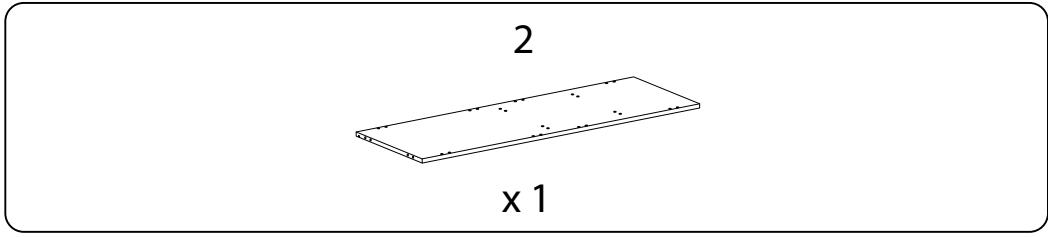
2



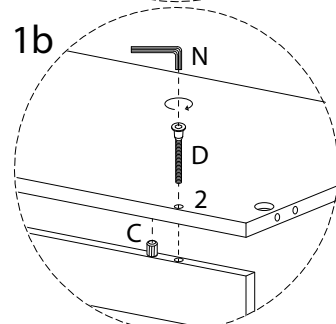
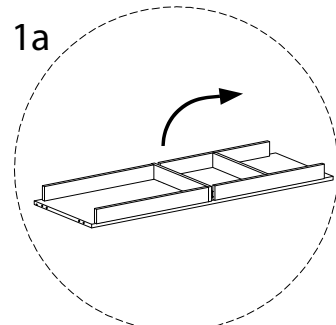
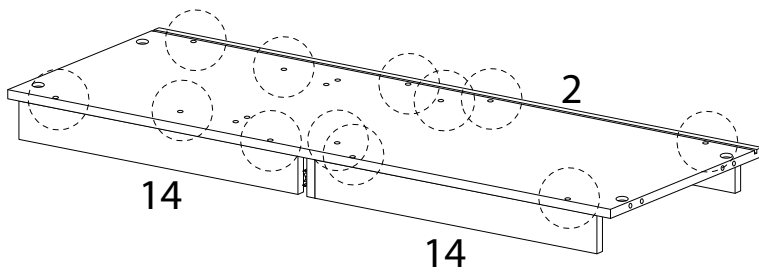
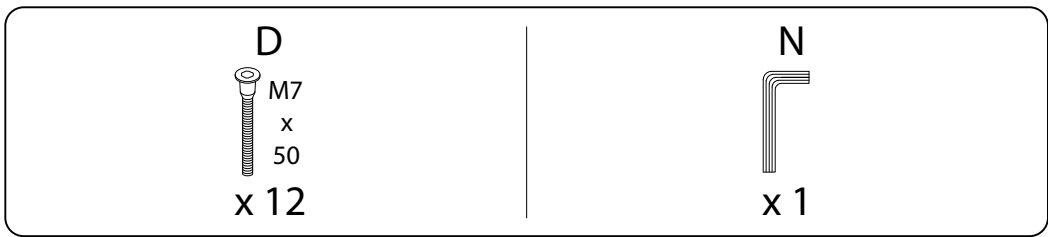
3



4



5



6

A

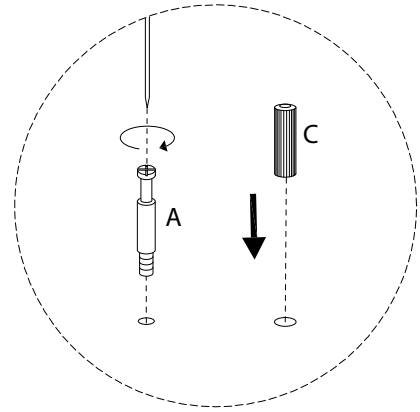
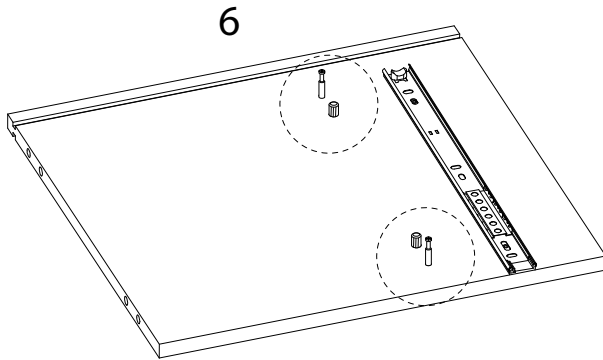


x 2

C

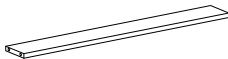


x 2



7

8



x 1

9



x 1

A

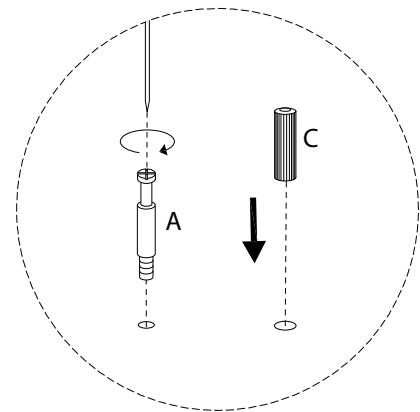
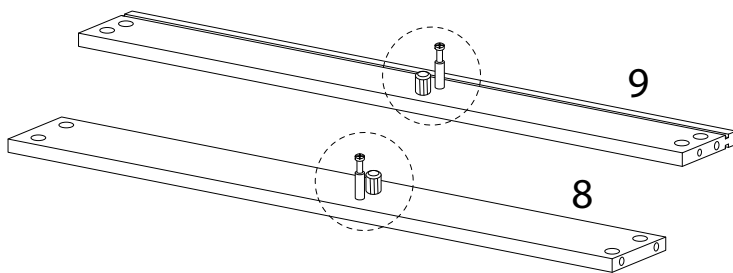


x 2

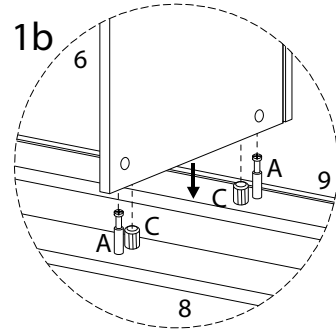
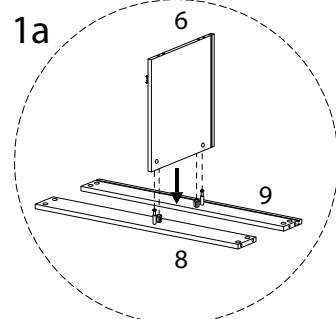
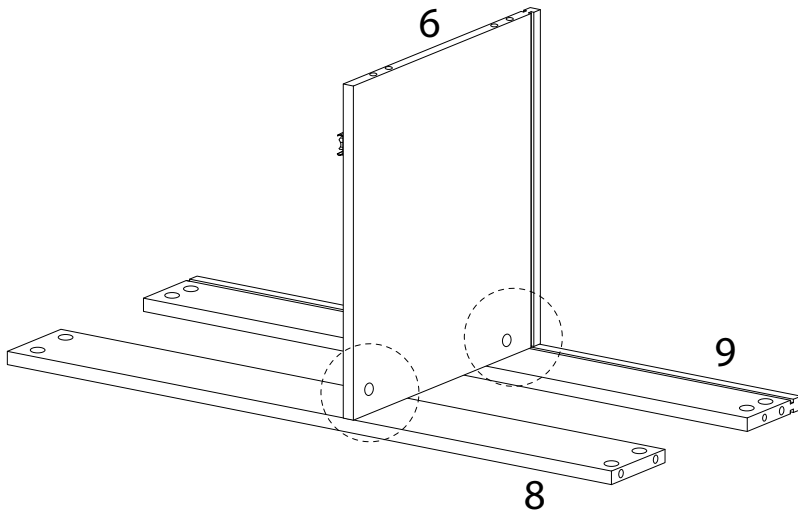
C



x 2



8

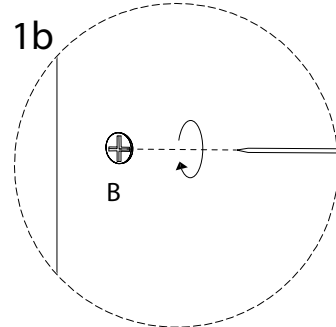
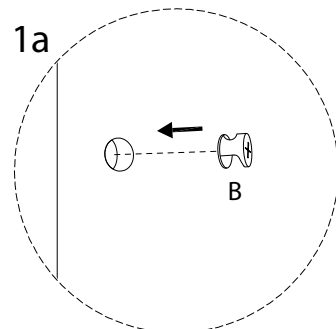
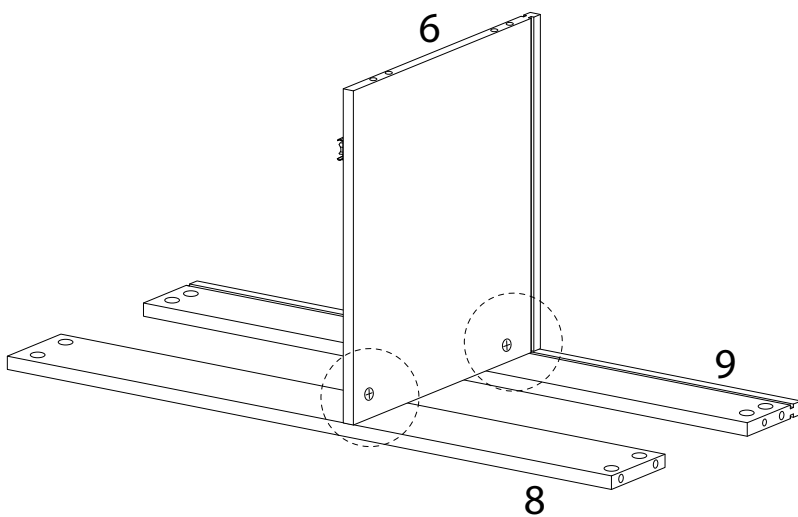


9

B



x2

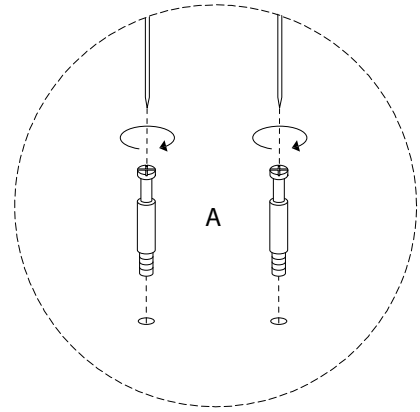
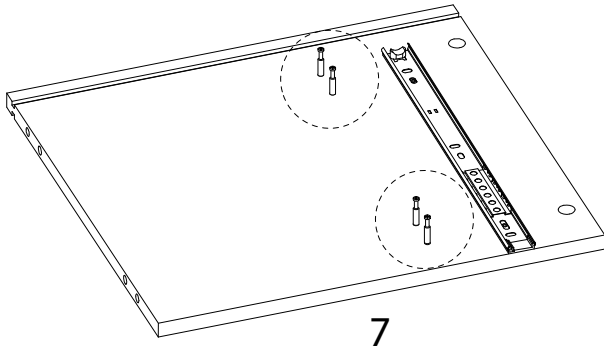


10

A



x 4

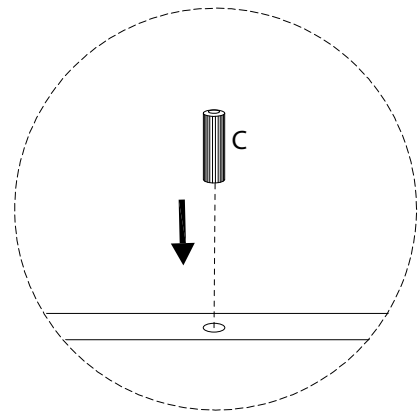
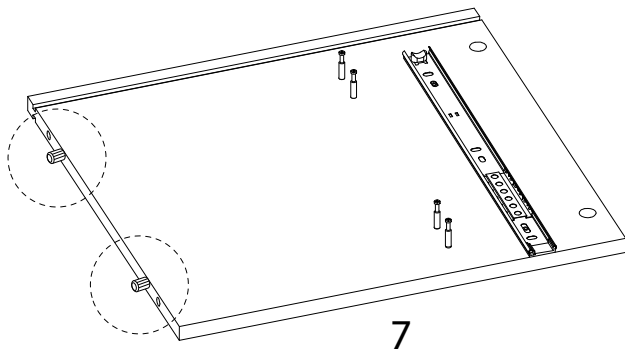


11

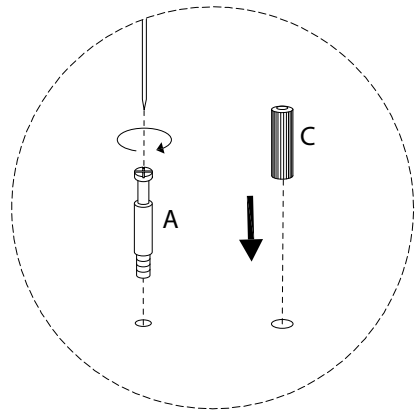
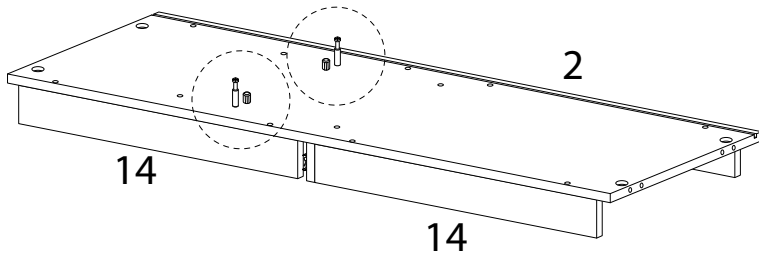
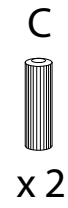
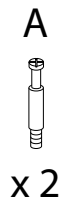
C



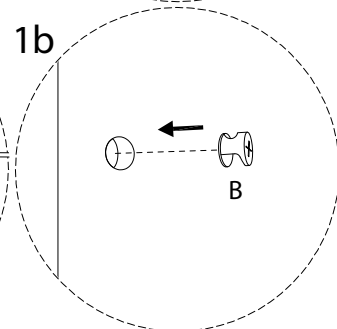
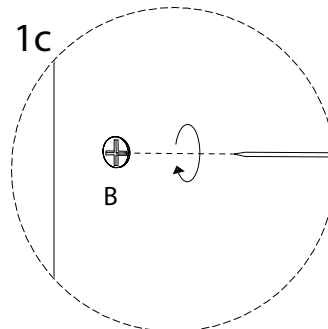
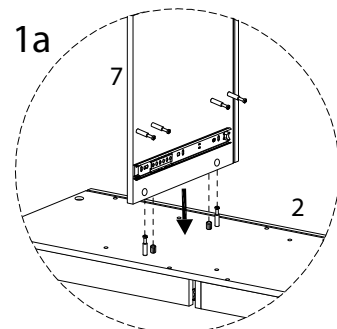
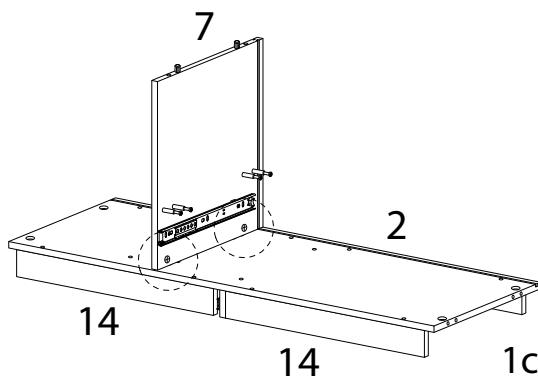
x 2



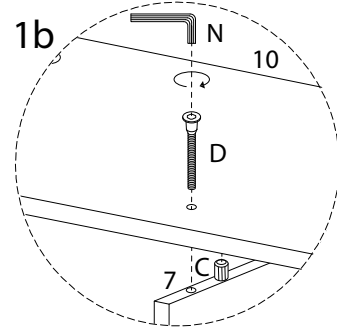
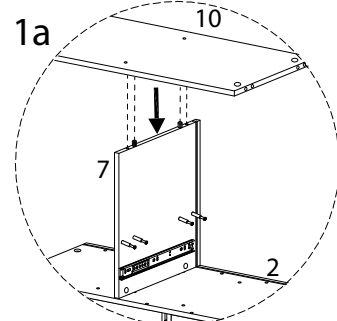
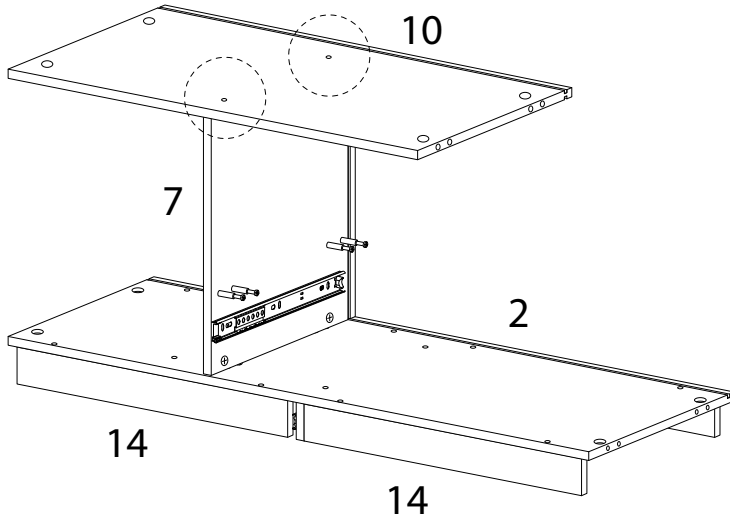
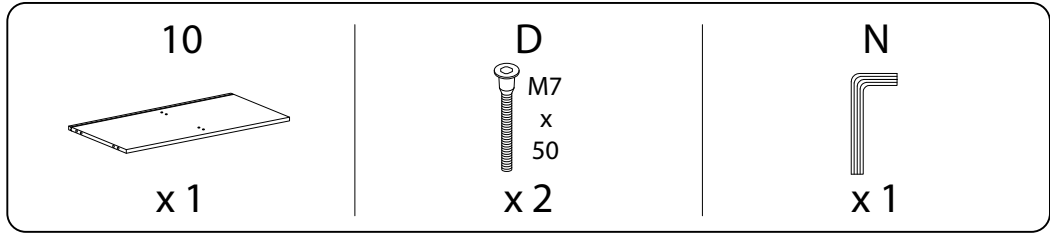
12



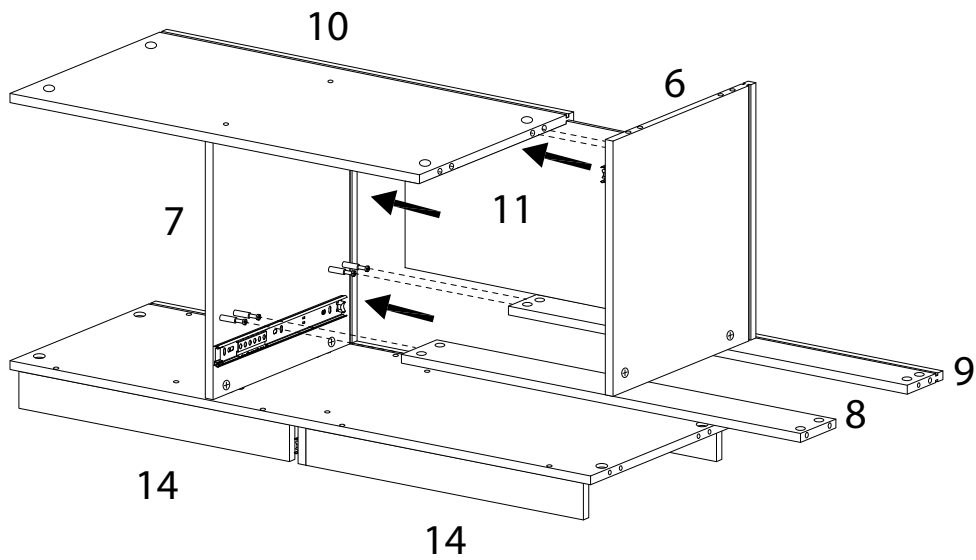
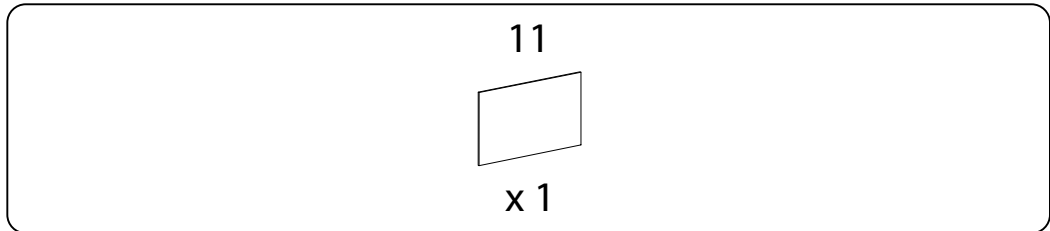
13



14



15

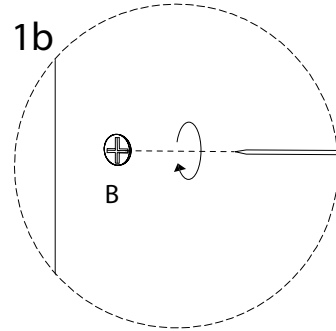
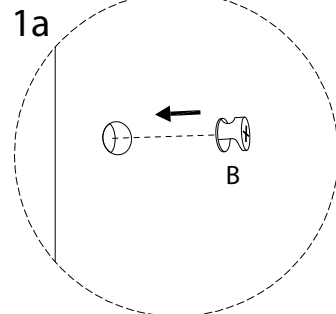
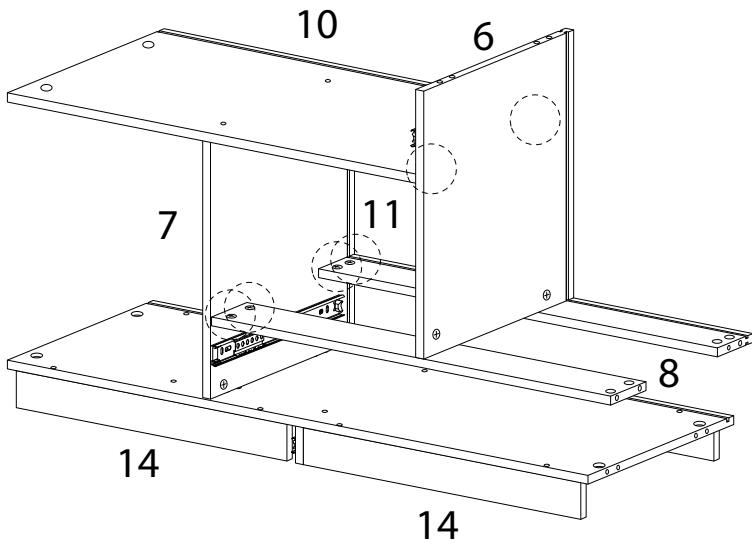


16

B



x 6

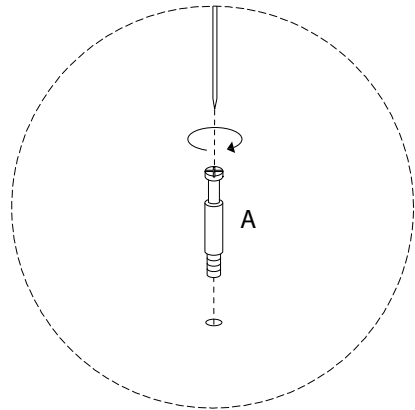
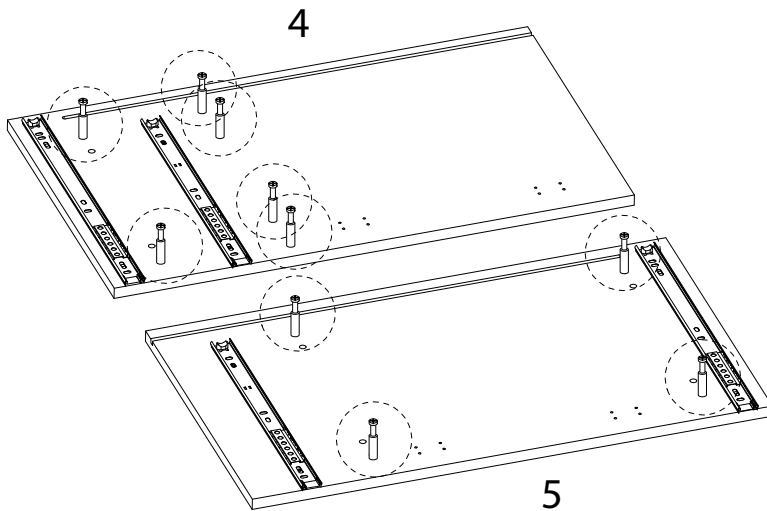


17

A



x 10

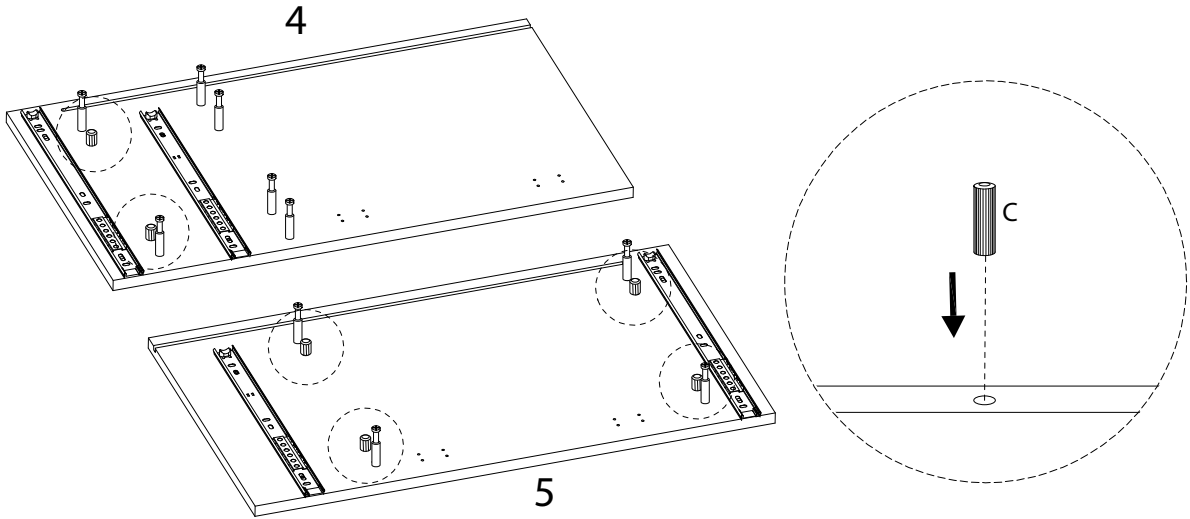


18

C



x 6

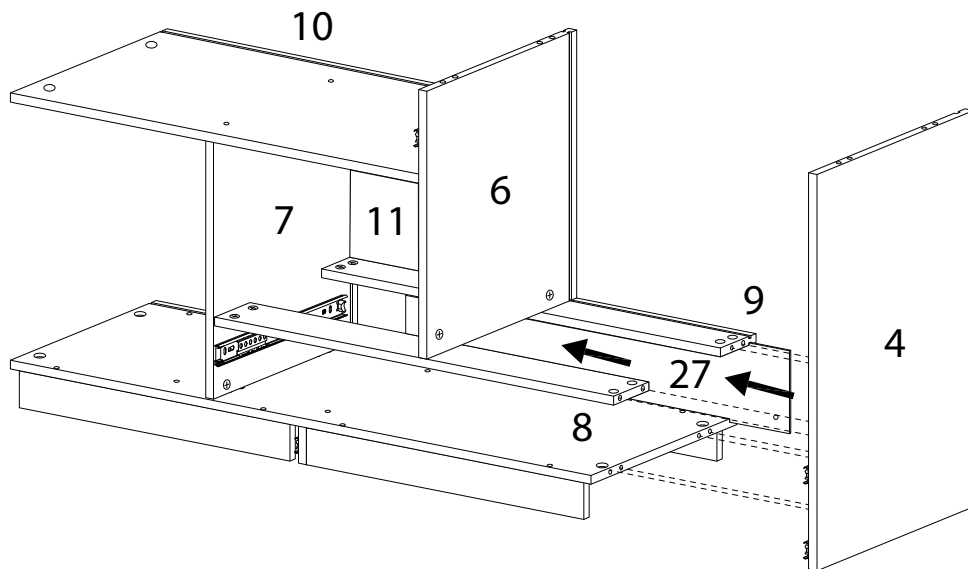


19

27



x 1

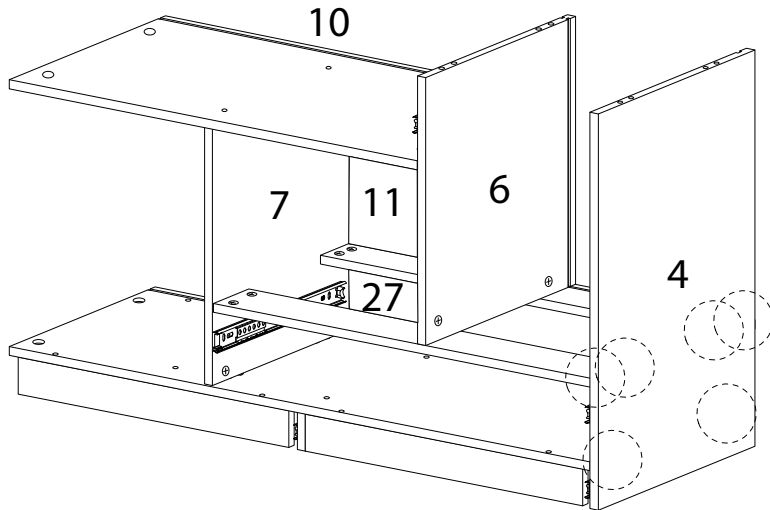


20

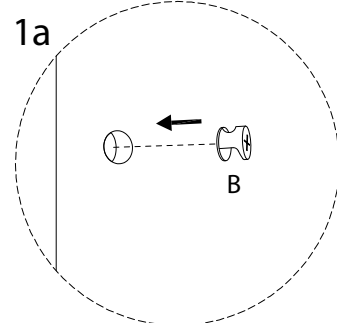
B



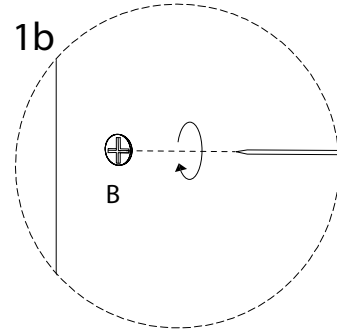
x 6



1a



1b

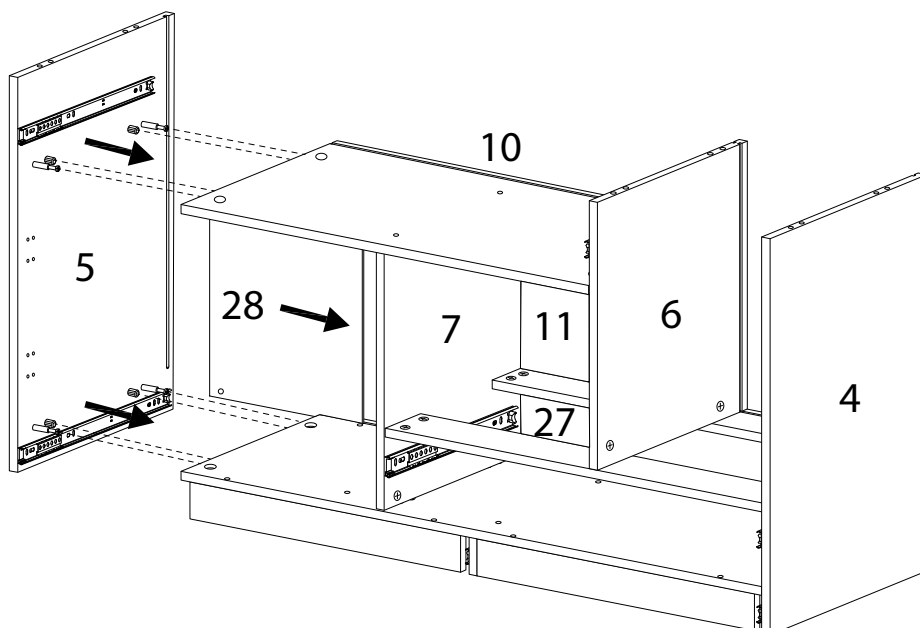


21

28



x 1

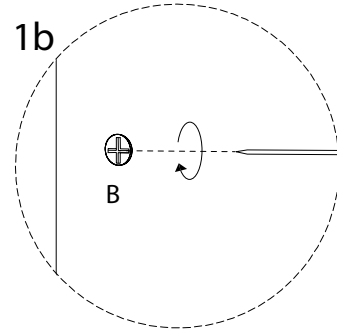
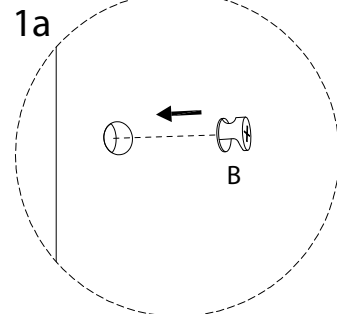
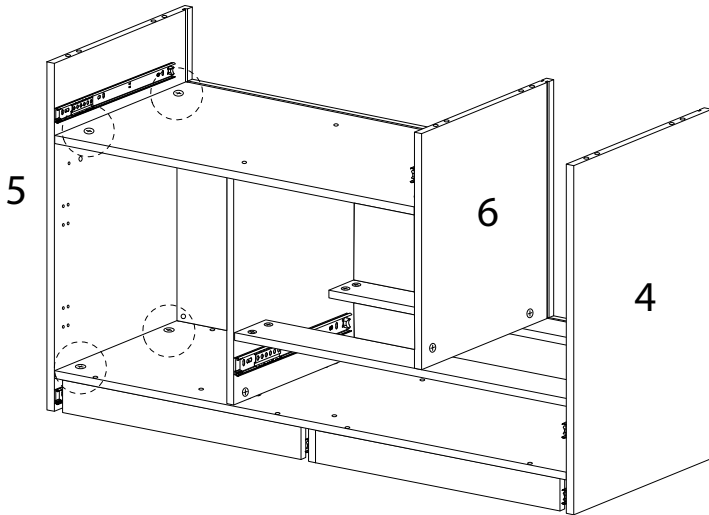


22

B

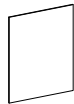


x 4



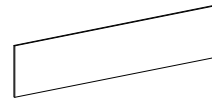
23

12

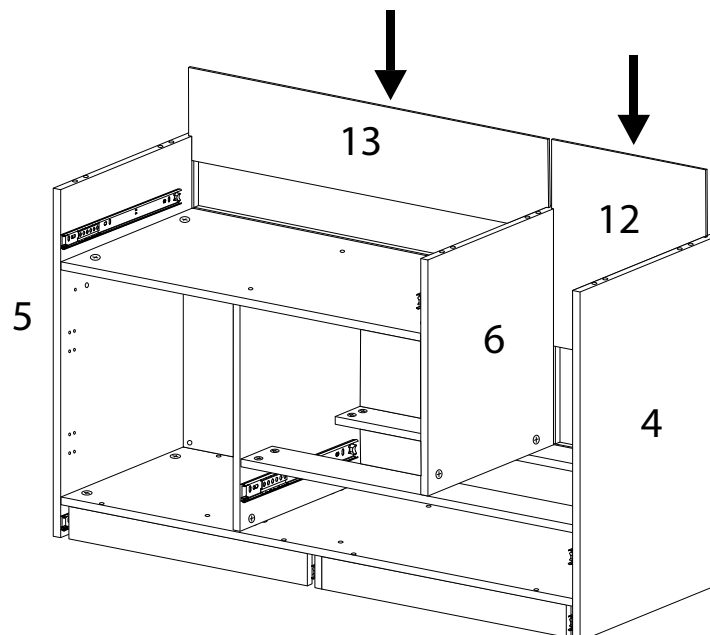


x 1

13



x 1

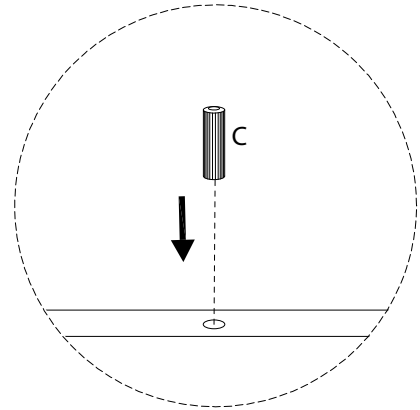
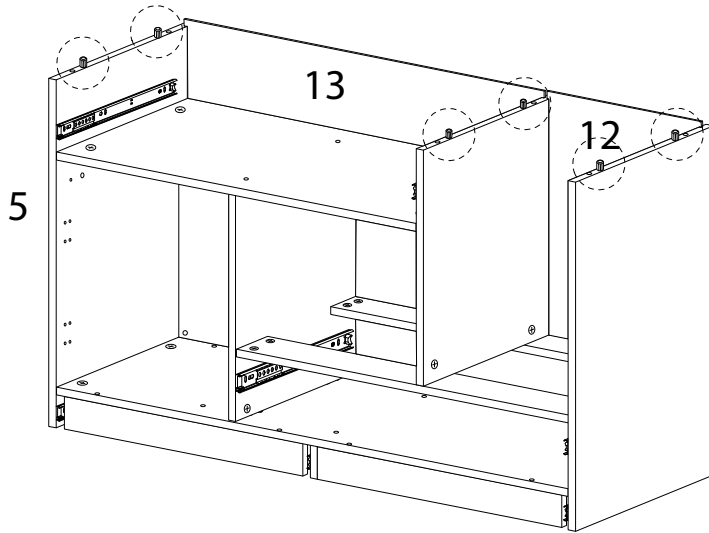


24

C



x 6



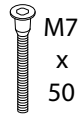
25

3



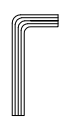
x 1

D

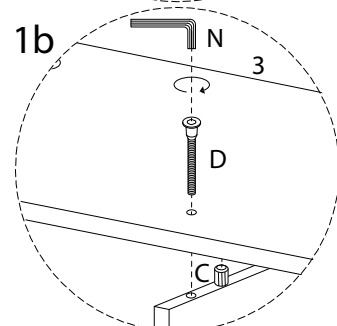
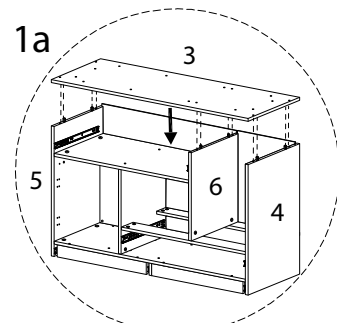
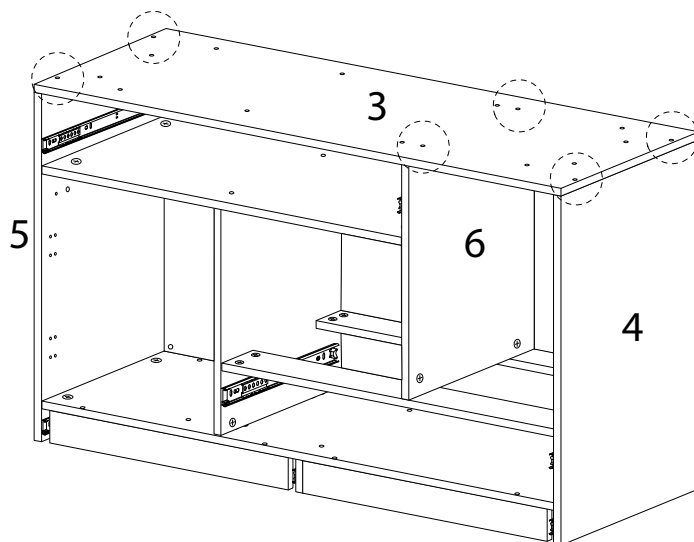


x 6

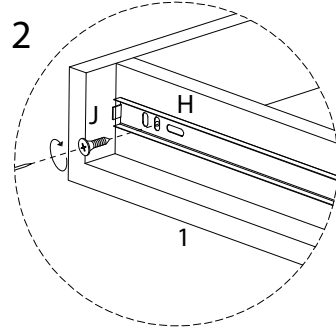
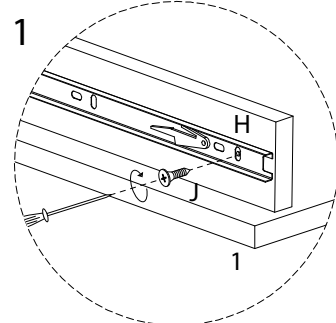
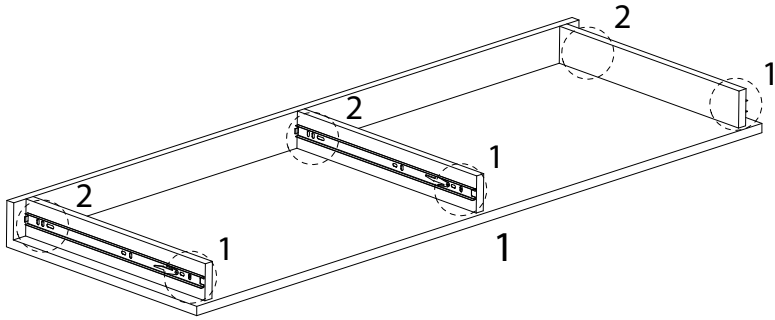
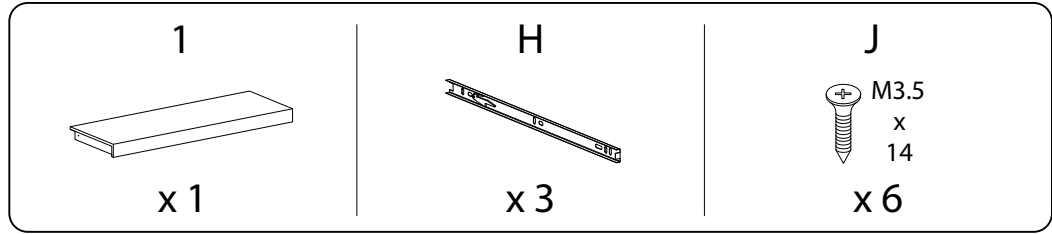
N



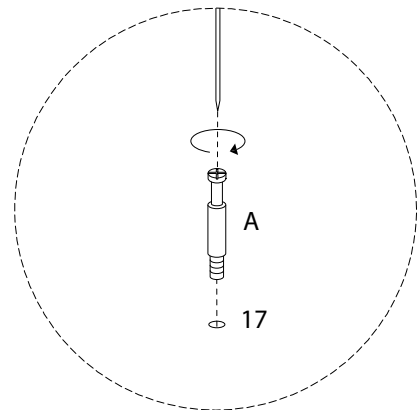
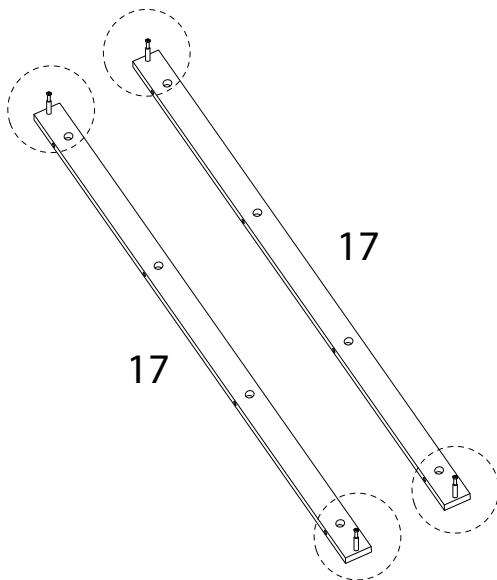
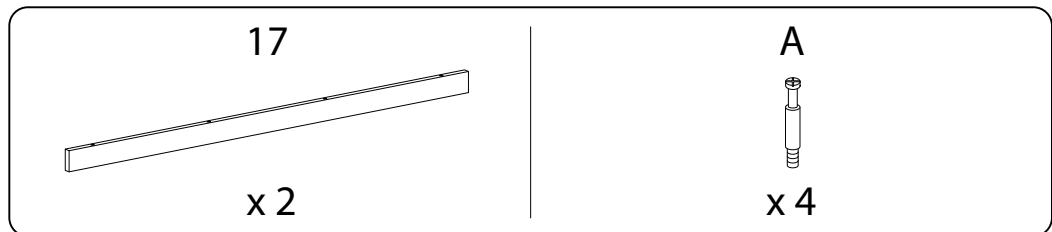
x 1



26

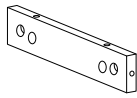


27



28

18

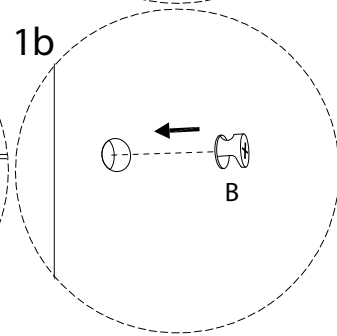
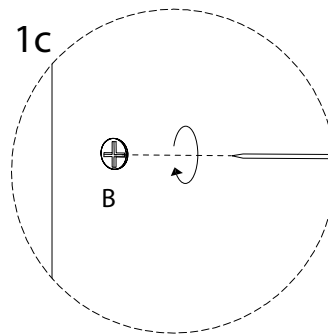
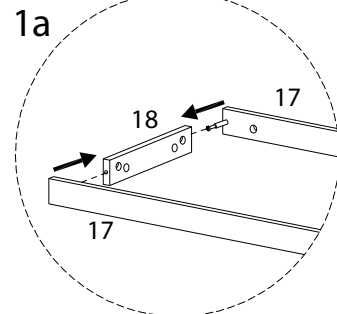
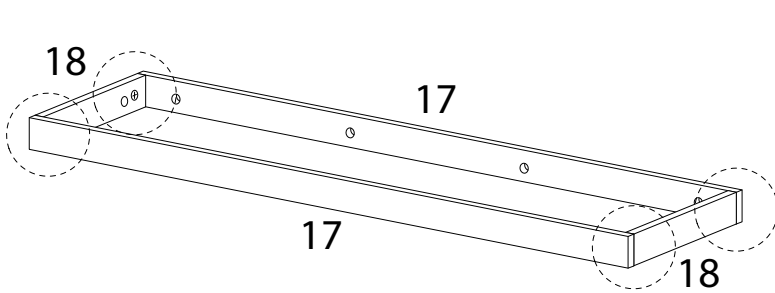


x 2

B



x 4

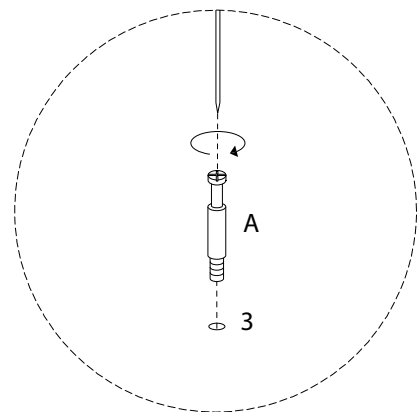
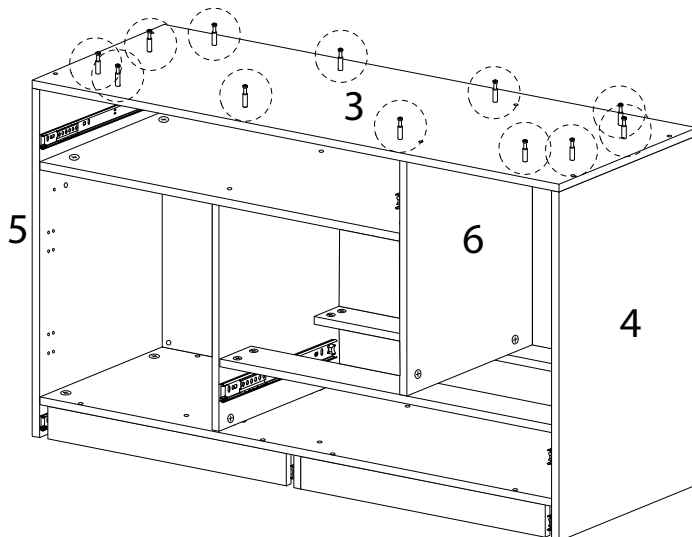


29

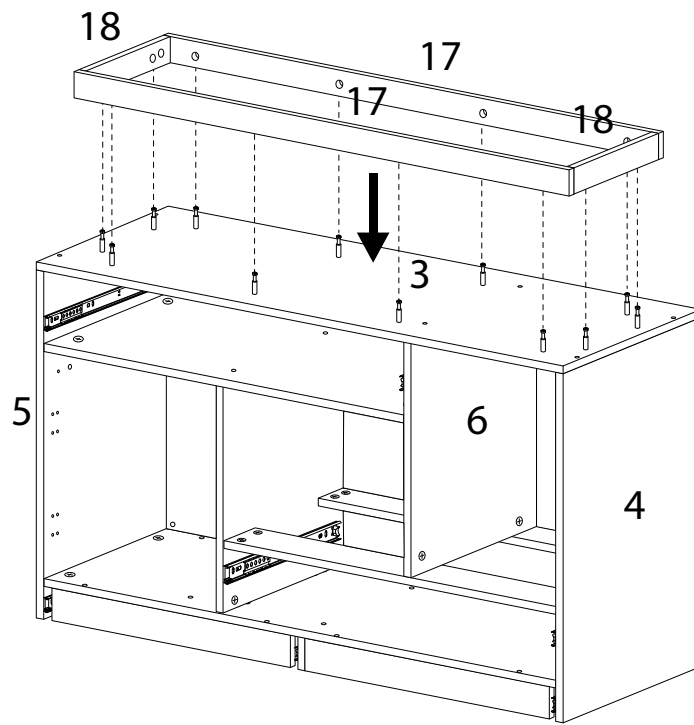
A



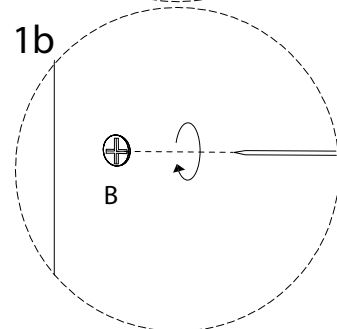
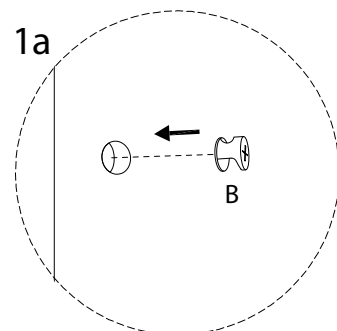
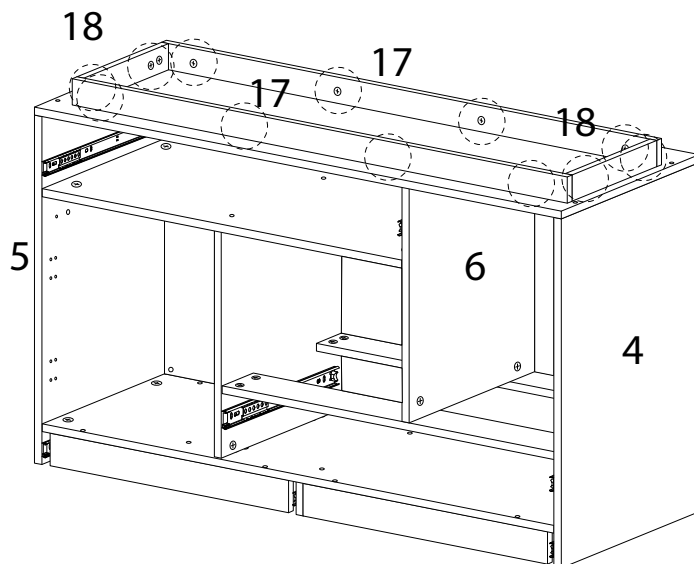
x 12



30

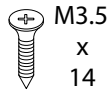


31



32

J

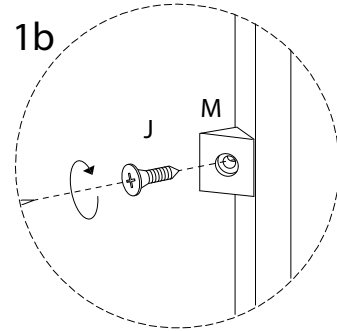
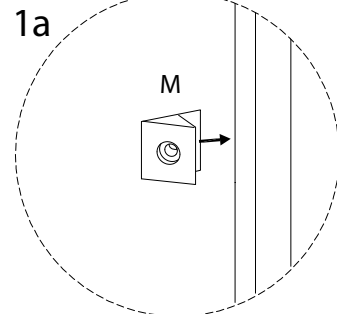
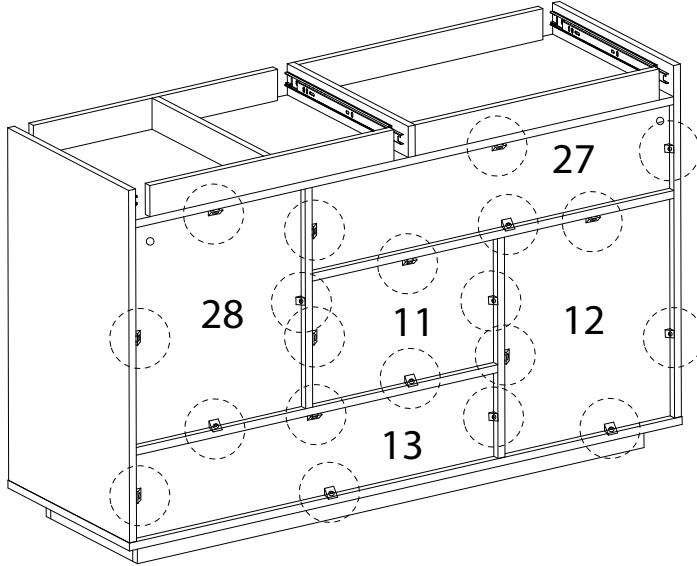


x 20

M



x 20



33

O



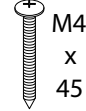
x 2

P

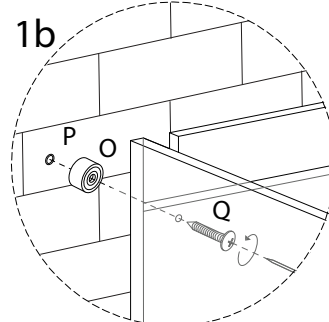
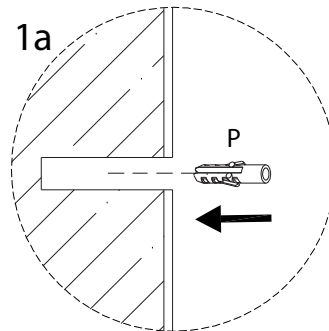
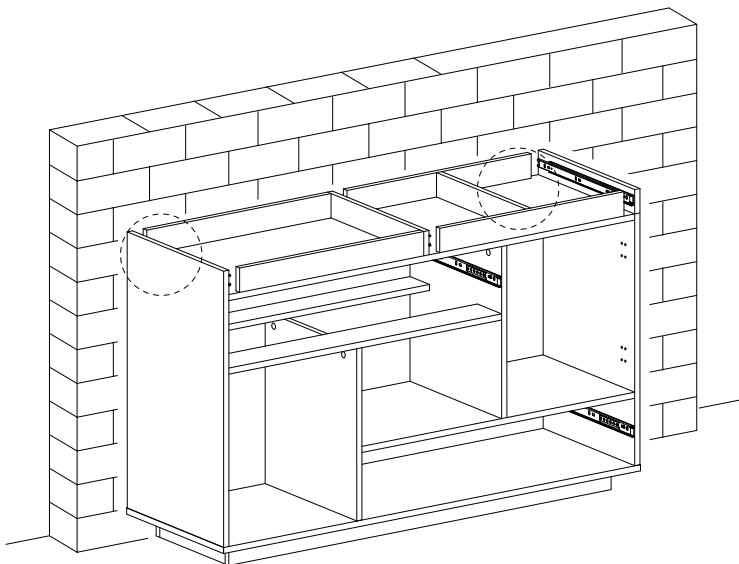


x 2

Q



x 2



34

19



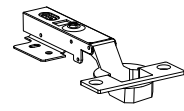
x 2

J

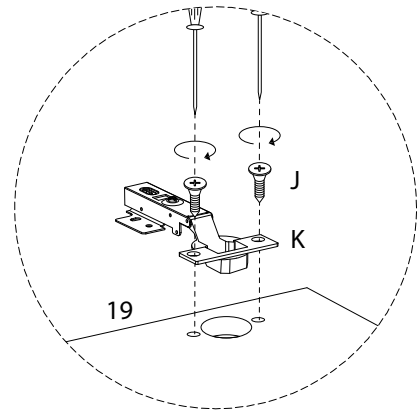
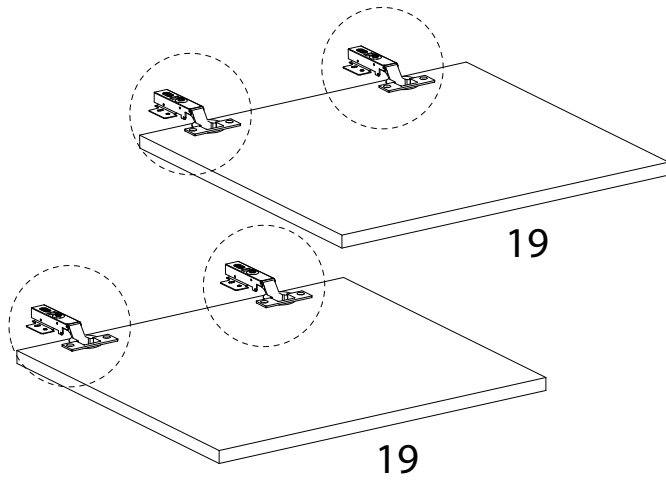


x 8

K

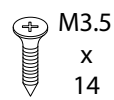


x 4

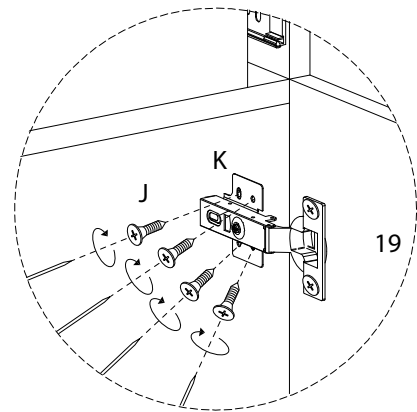
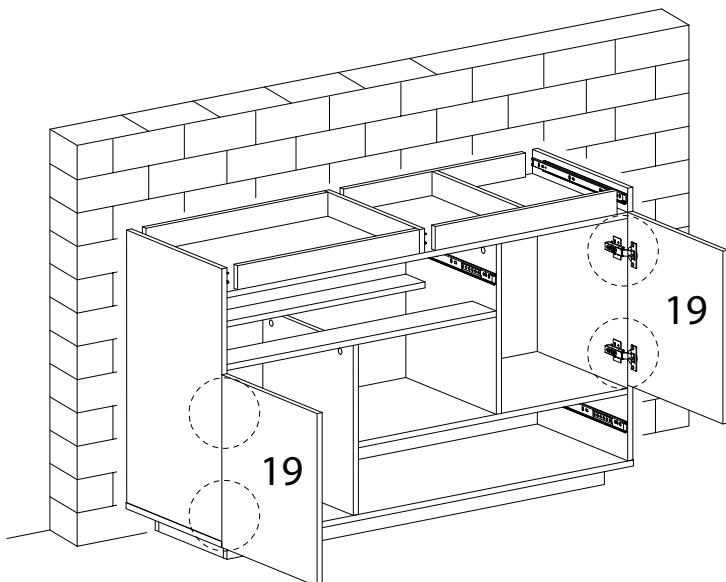


35

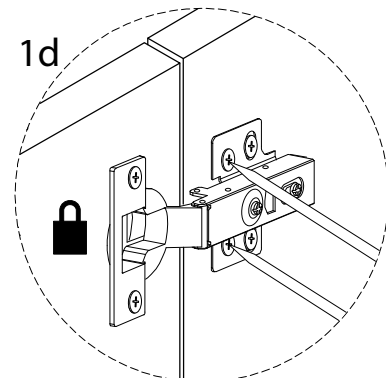
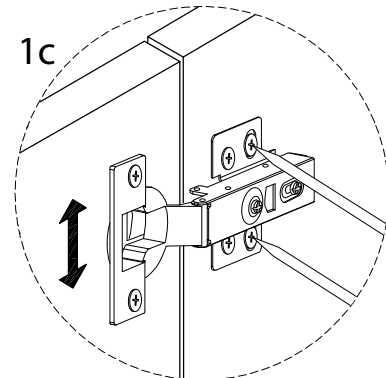
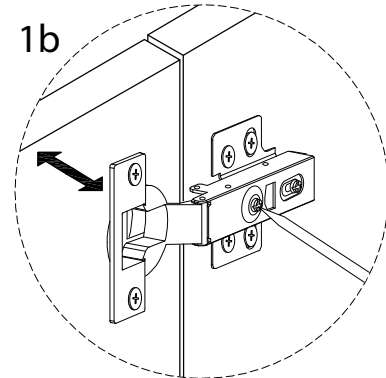
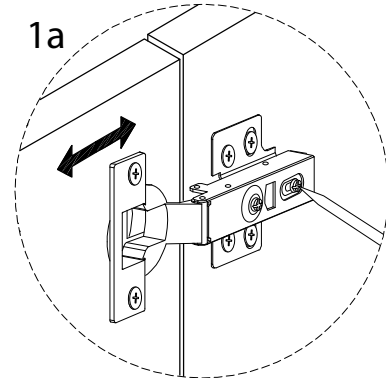
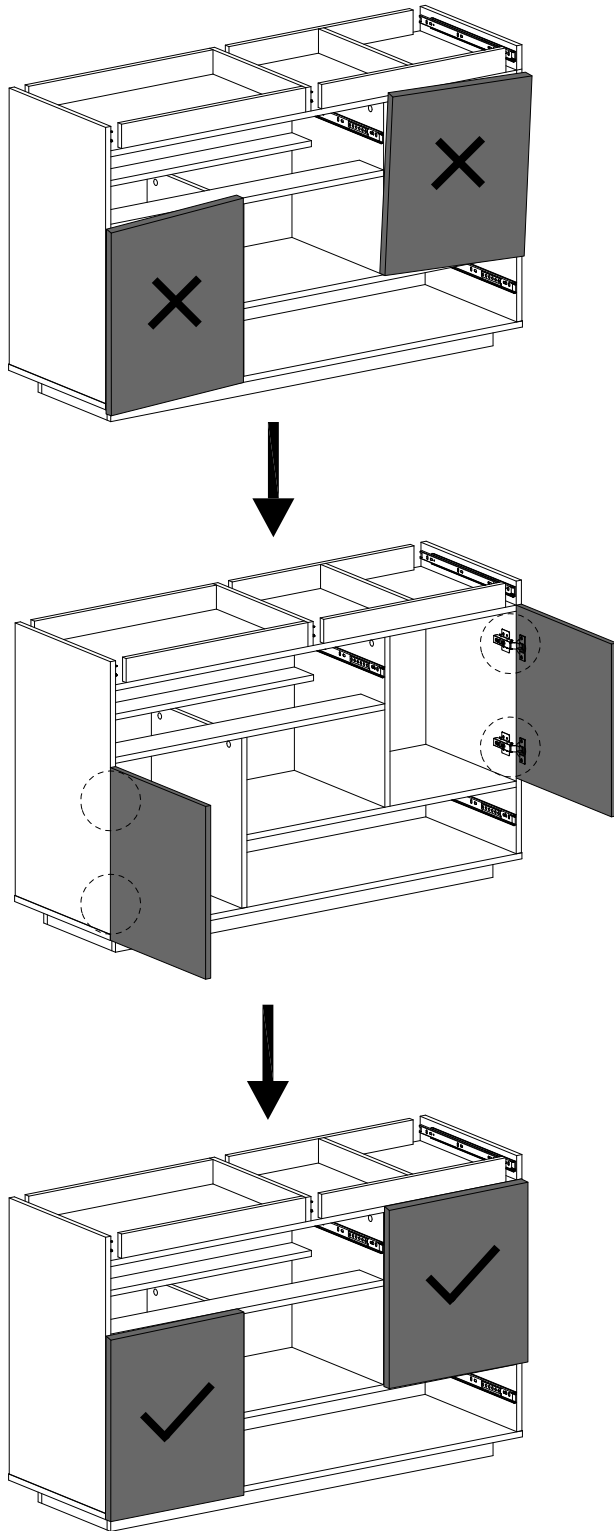
J



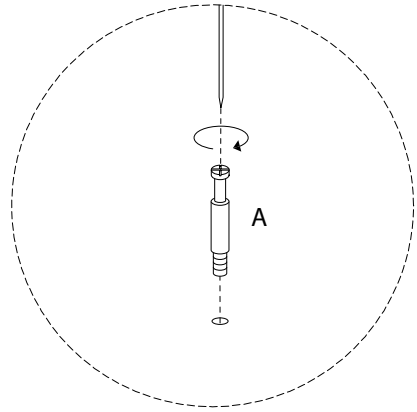
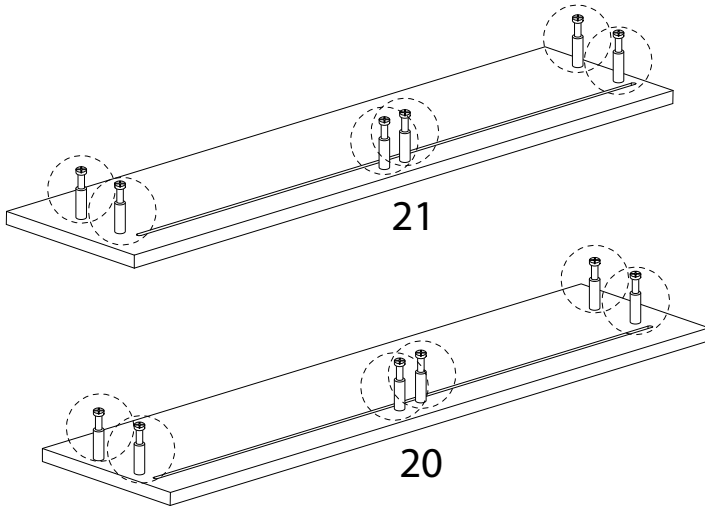
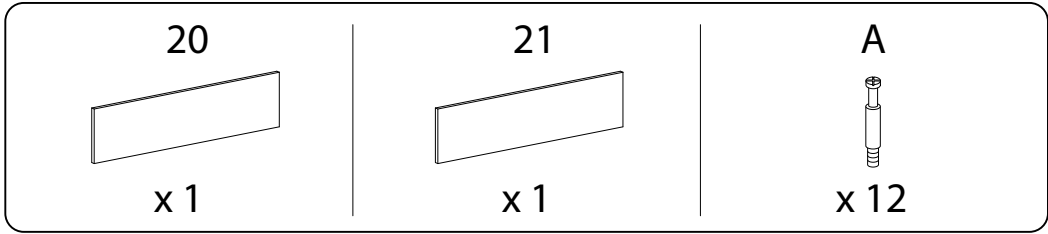
x 16



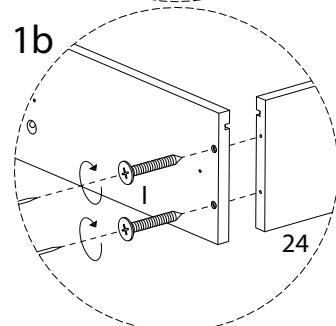
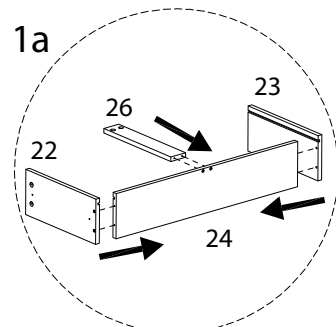
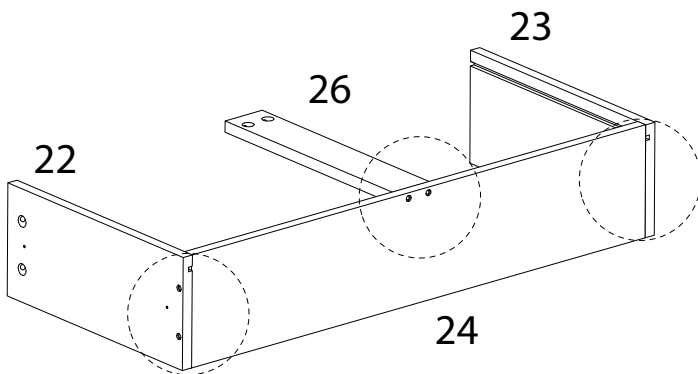
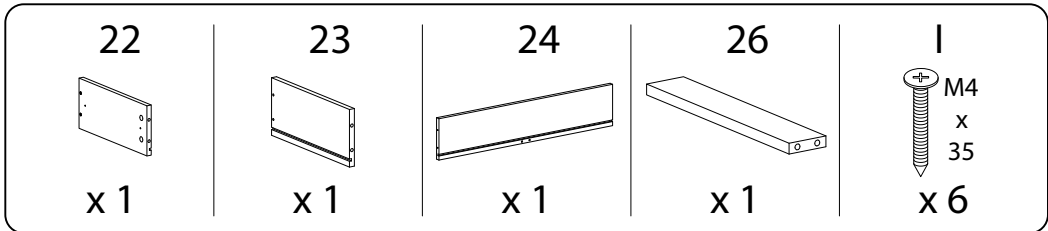
!



36

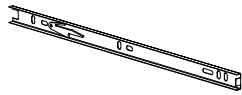


37 x 2



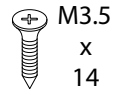
38 x 2

F



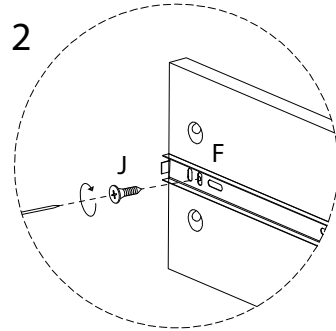
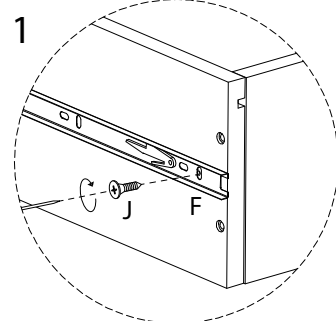
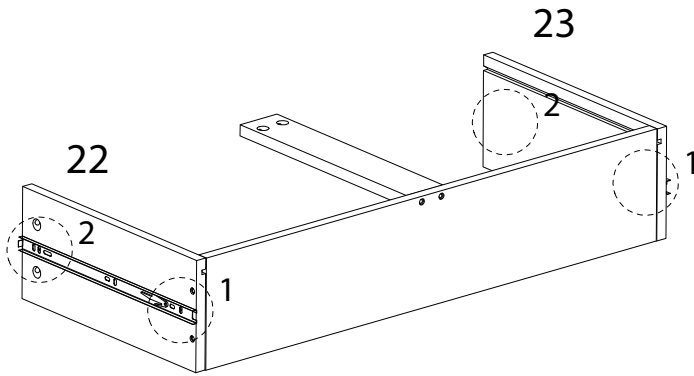
x 2

J



M3.5
x
14

x 4

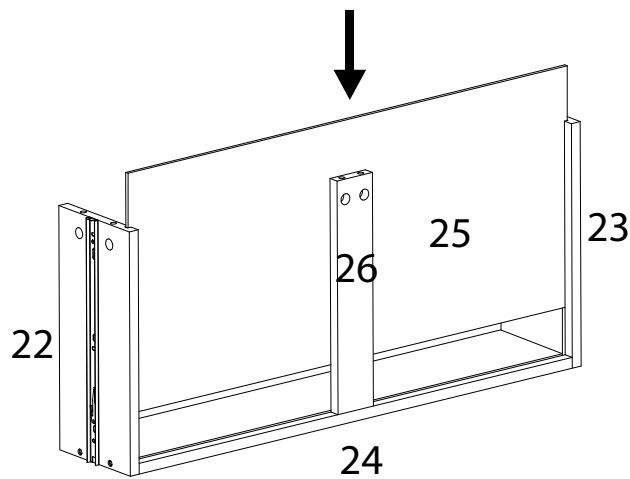


39 x 2

25



x 1

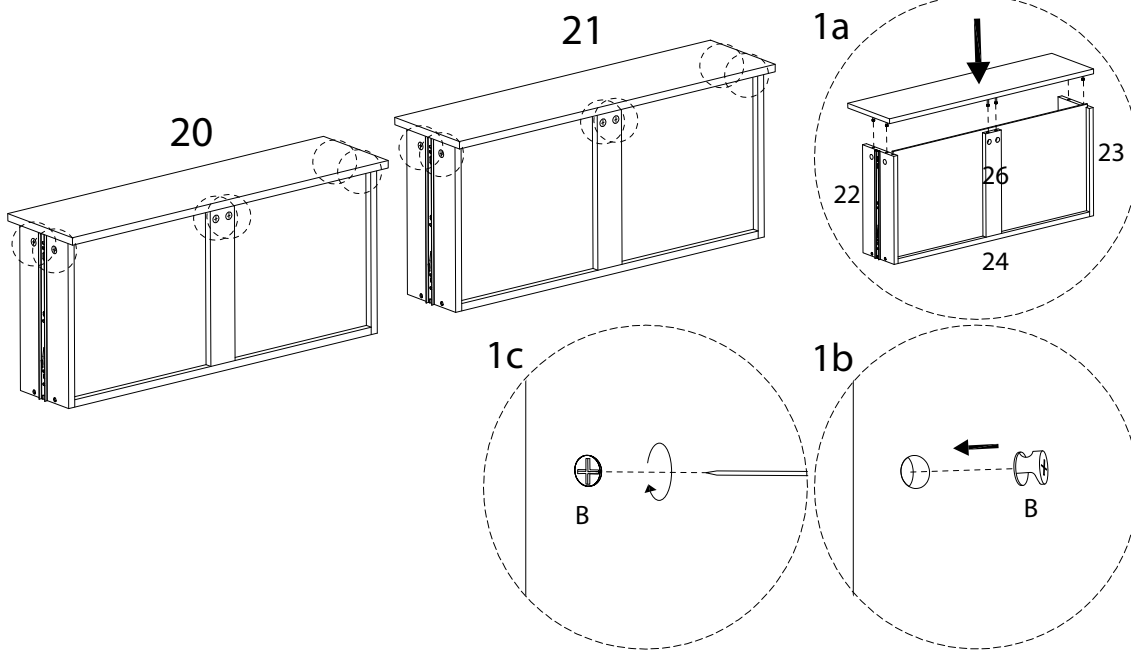


40

B



x 12

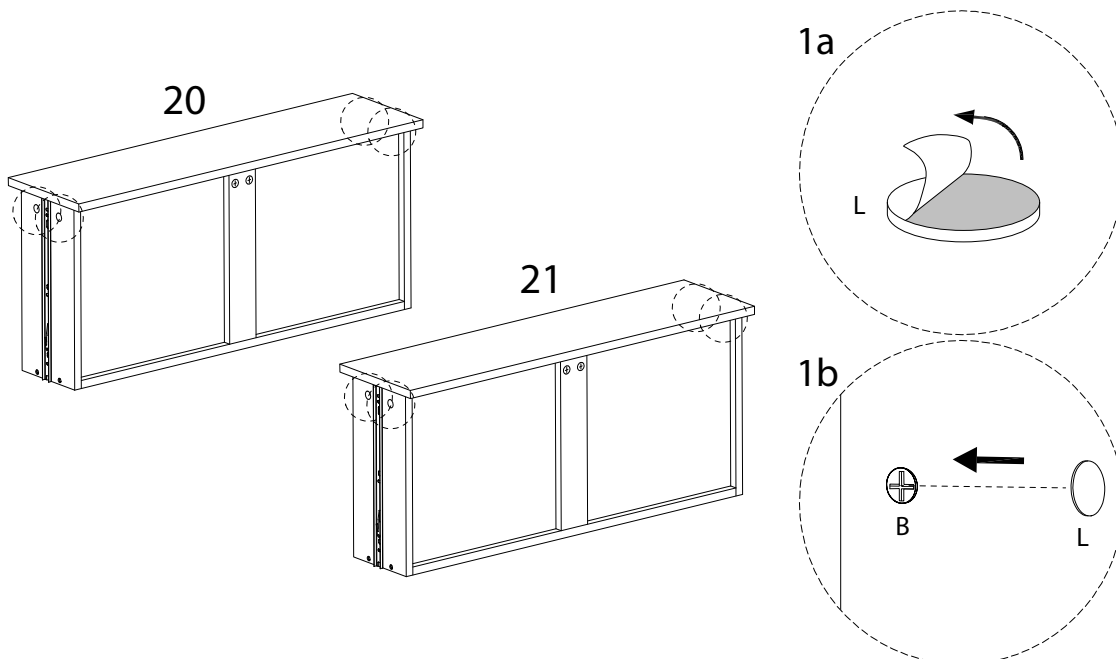


41

L

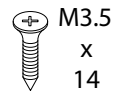


x 8

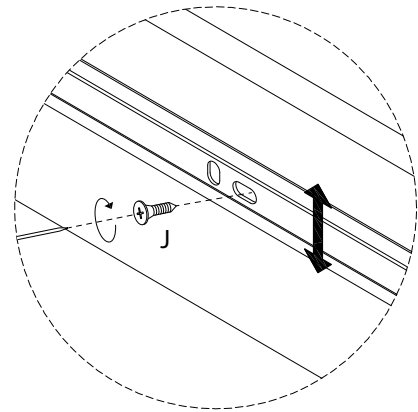
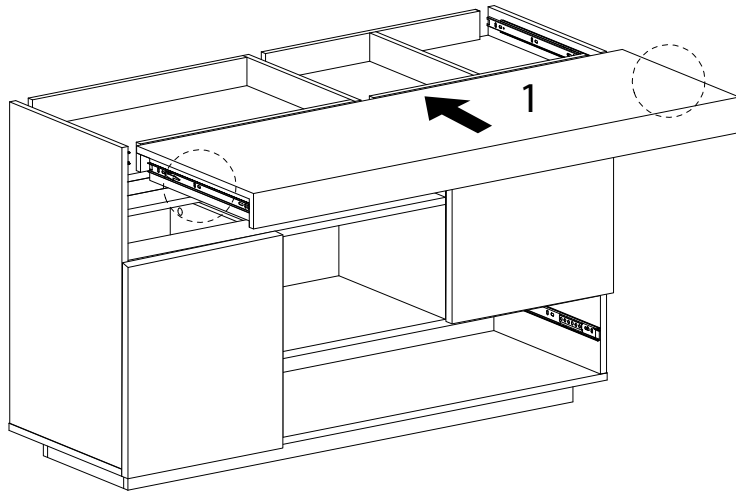


42

J



x 2



43

