
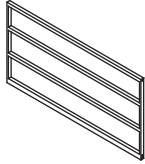
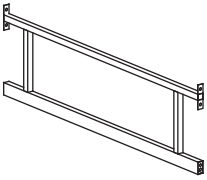
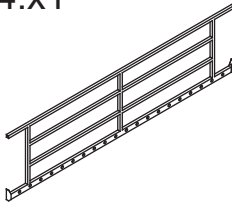
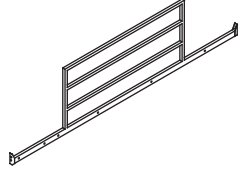
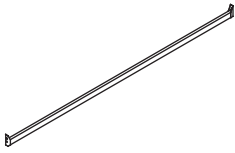
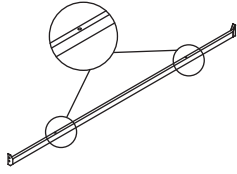

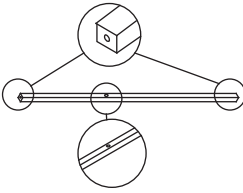
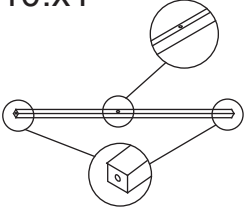
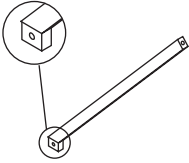
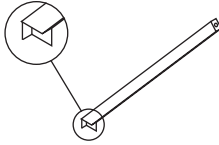
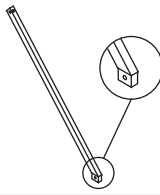
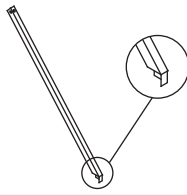







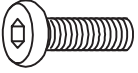
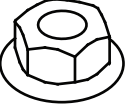

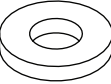
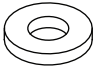


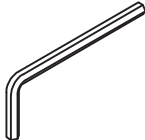
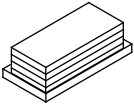
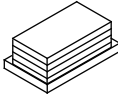
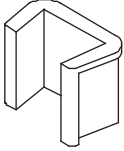
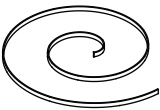



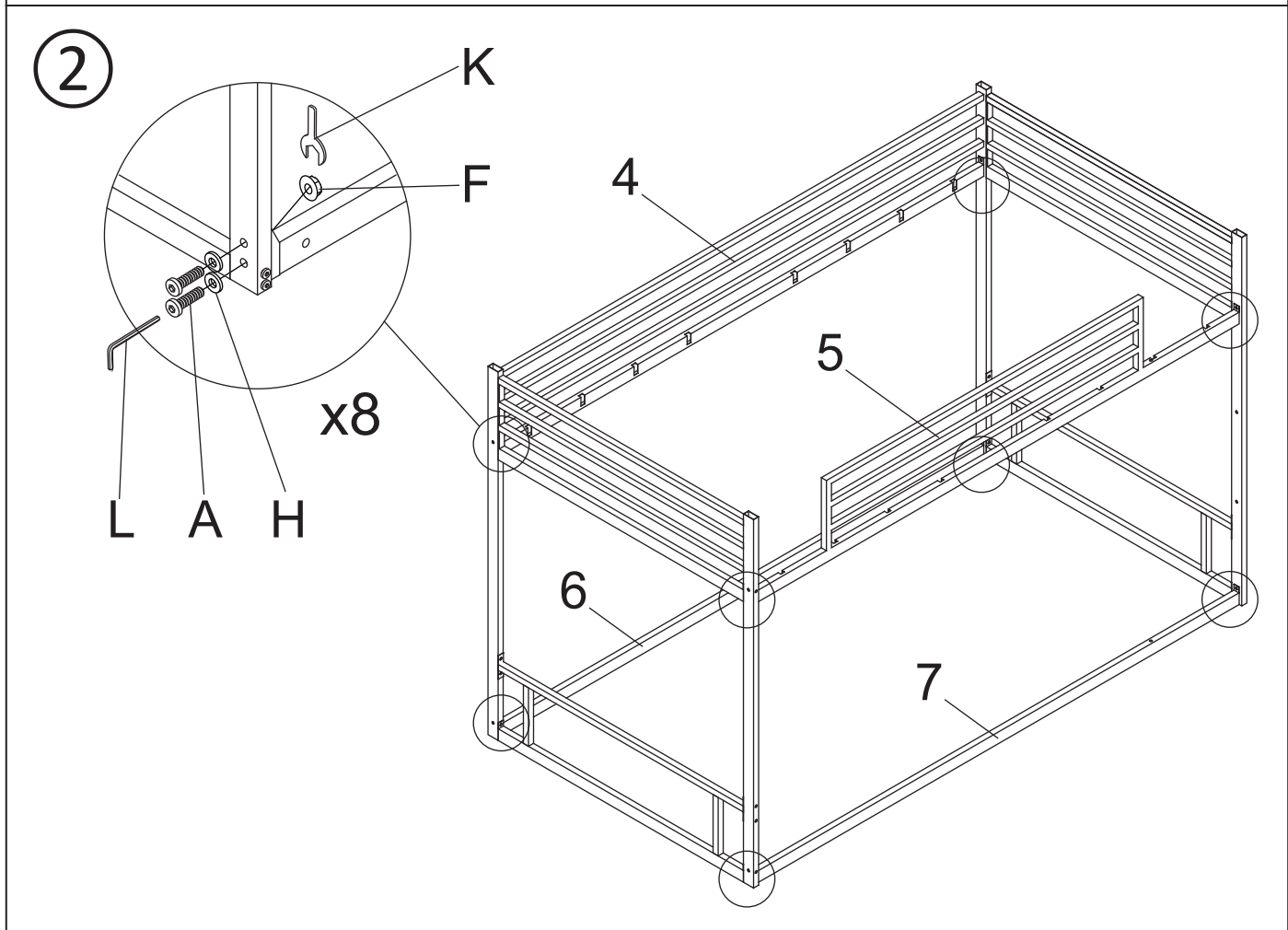
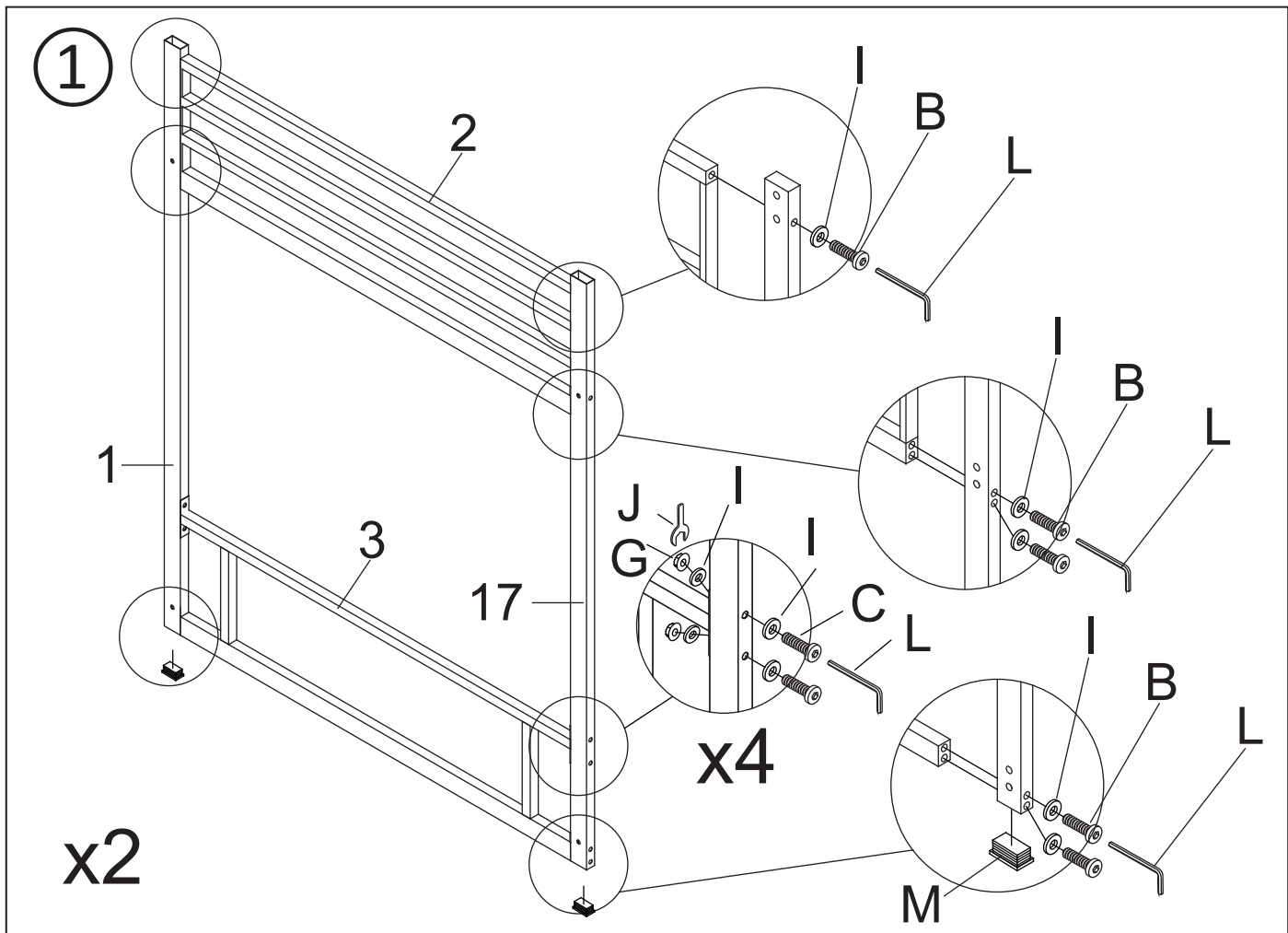
# ASSEMBLY INSTRUCTION

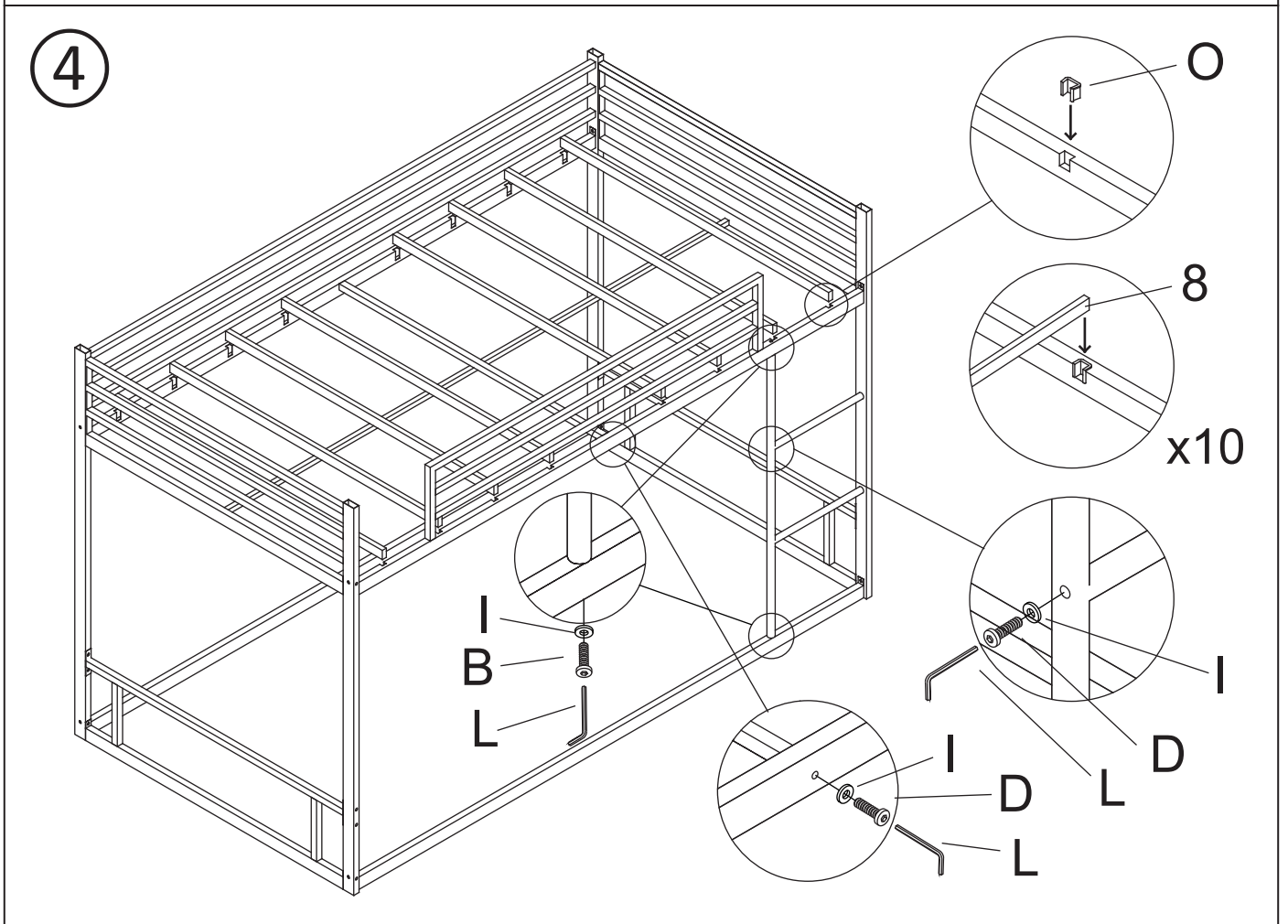
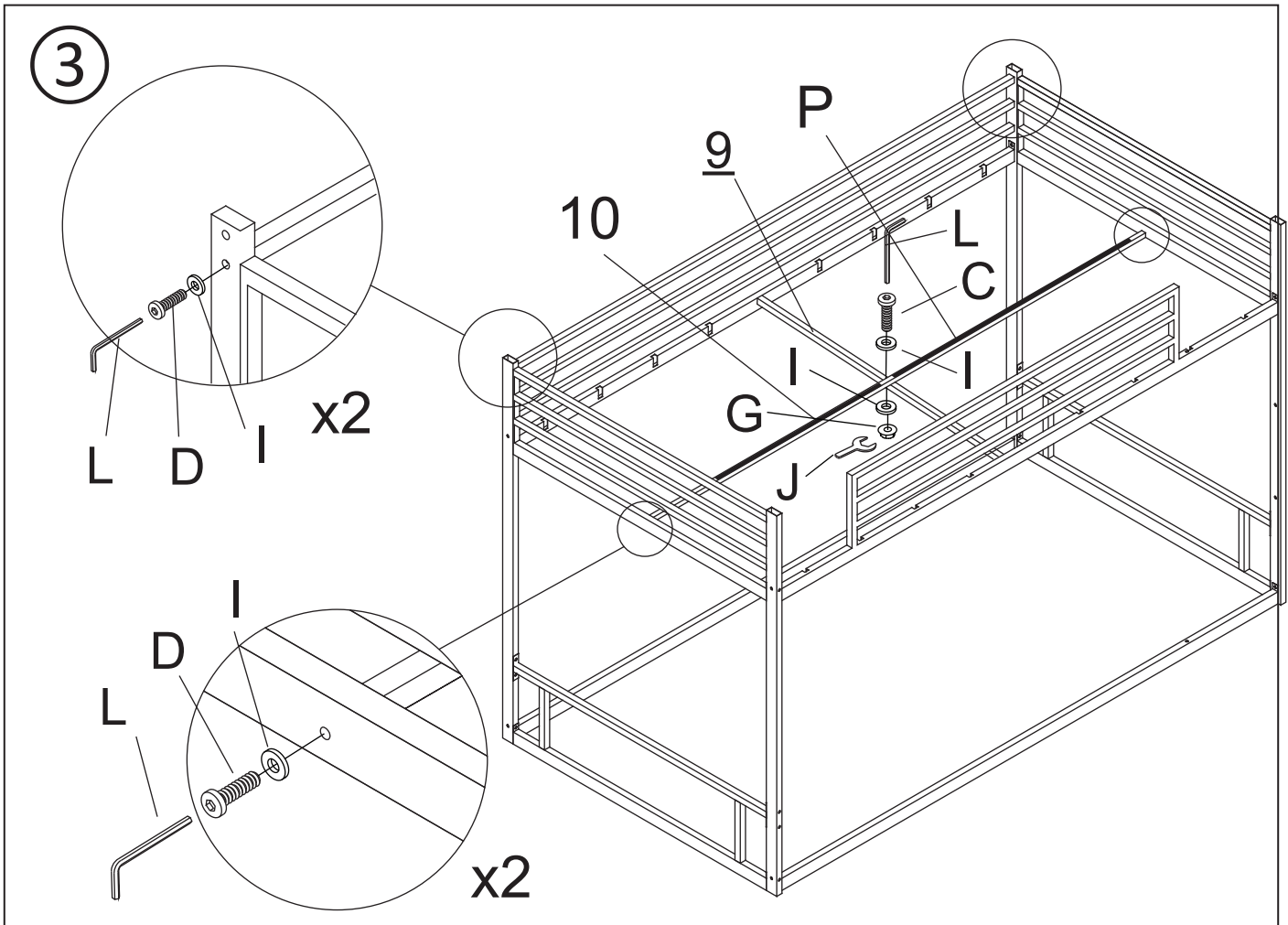
## This installation manual is the correct version

Note: Distinguishing between the numbers 6 and 9 is different, with the number 9 underlined; Please tighten all screws by 60% first, and then tighten them by 100% after installation is complete.

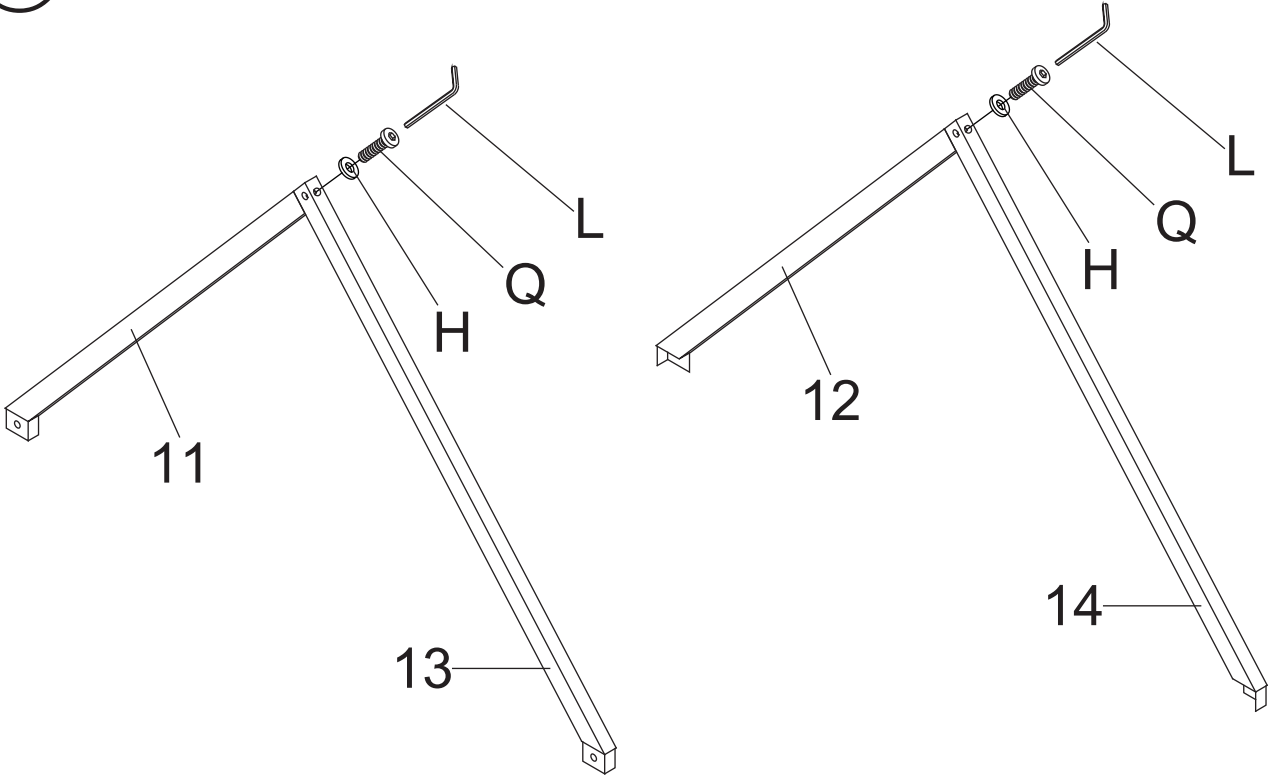


1.x2 	2.x2 	3.x2 	4.x1 	5.x1 
6.x1 	7.x1 	8.x10 	9.x1 	10.x1 
11.x1 	12.x1 	13.x1 	14.x1 	15.x2 
16.x2 	17.x2 			
A.x16 pcs  M8x35mm	B.x22 pcs  M6x60mm	C.x11 pcs  M6x50mm	D.x10 pcs  M6x40mm	E.x4 pcs  M6x15mm
F.x8 pcs  M8	G.x9 pcs  M6	H.x18 pcs  M8x16mm	I.x55 pcs  M6x16mm	J.x1 pcs  M6
K.x1 pcs  M8	L.x1 pcs  5#	M.x4 pcs  20x40mm	N.x2 pcs  20x30mm	O.x20 pcs 
P.x2 pcs 	Q.x2 pcs  M8x50mm			

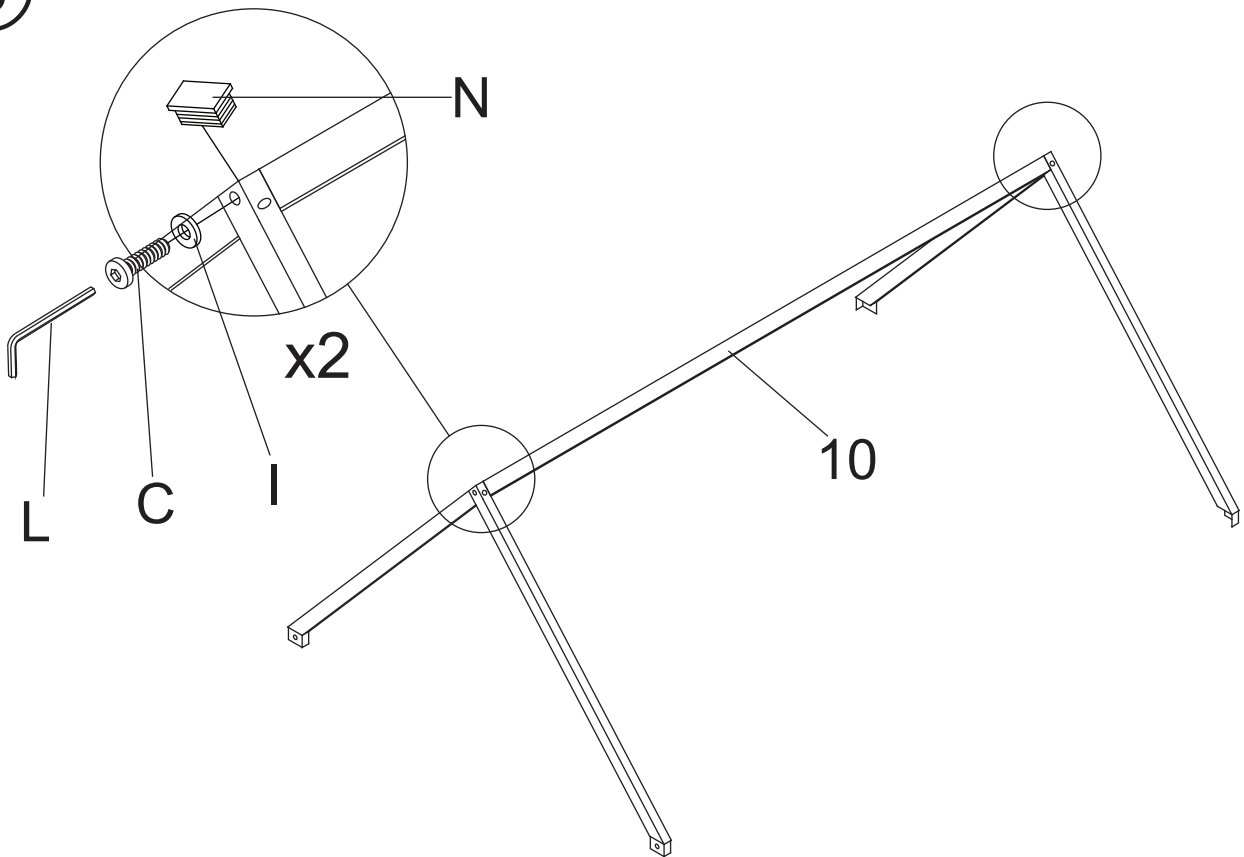




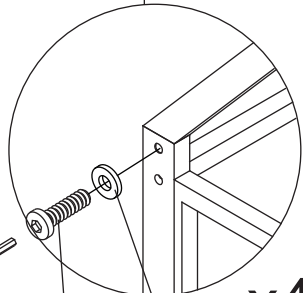
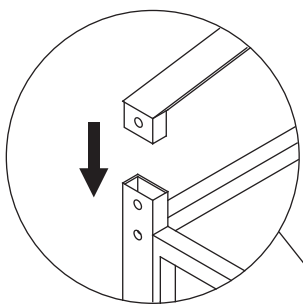
5



6

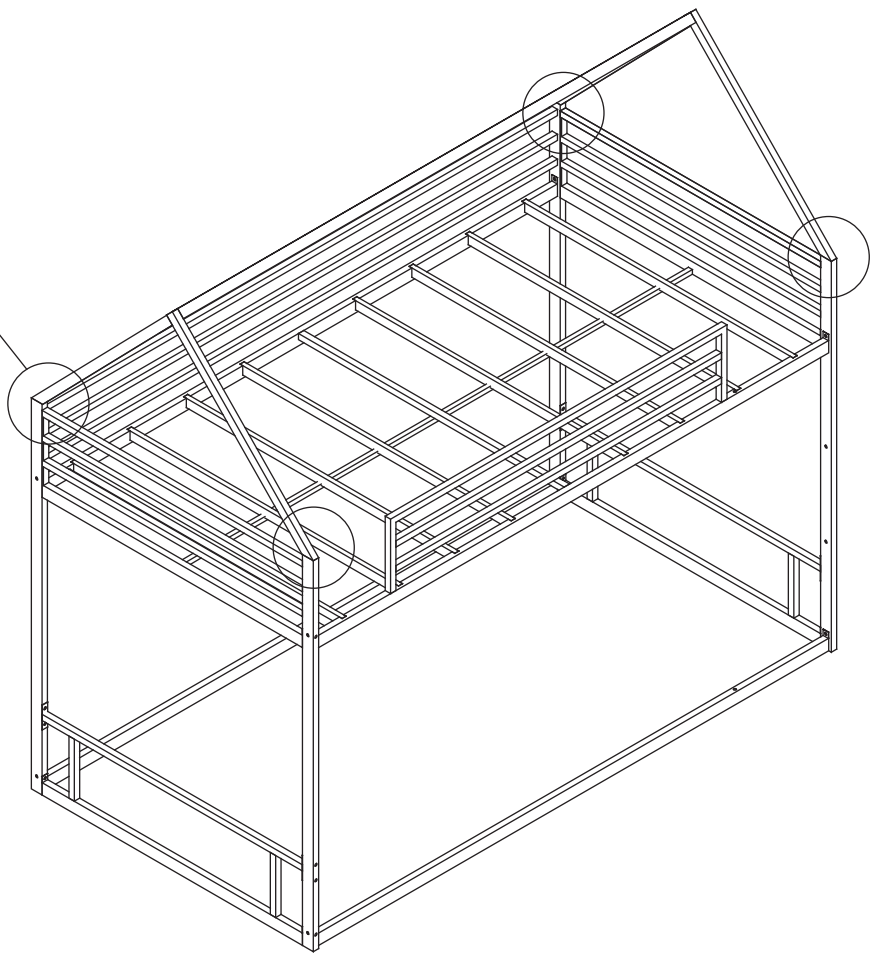


7

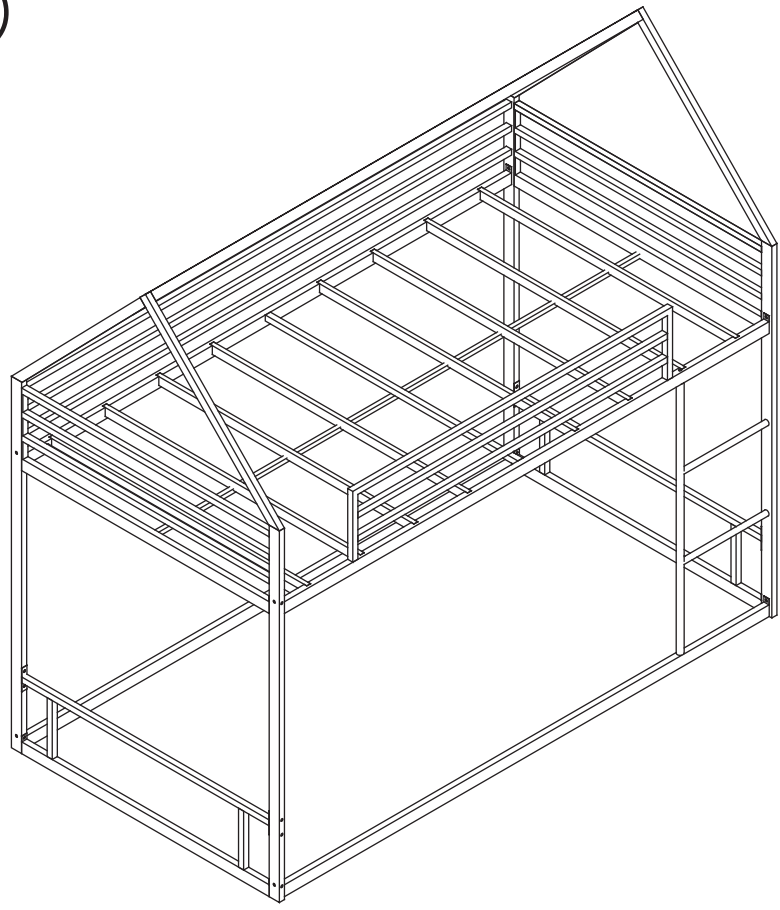


x4

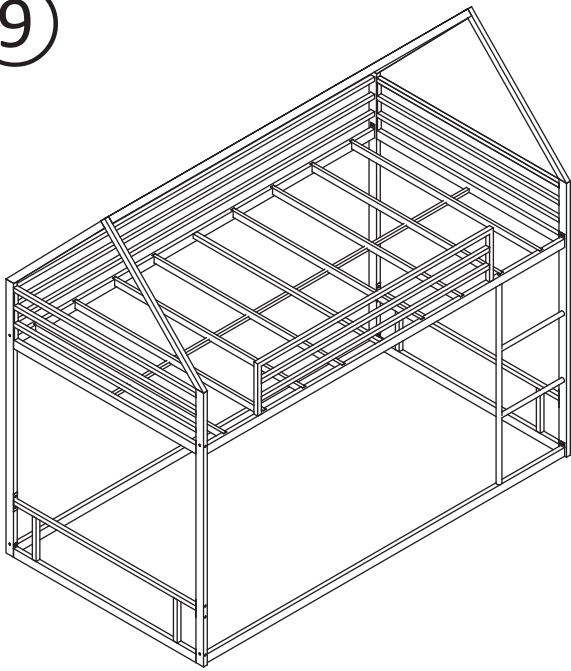
L  
E  
I



8



9



or

