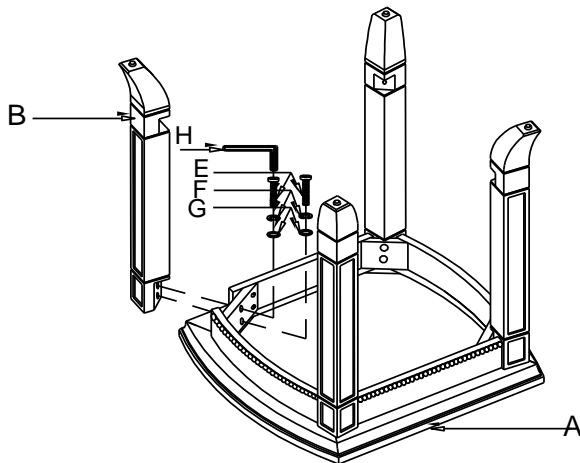


ASSEMBLY INSTRUCTIONS

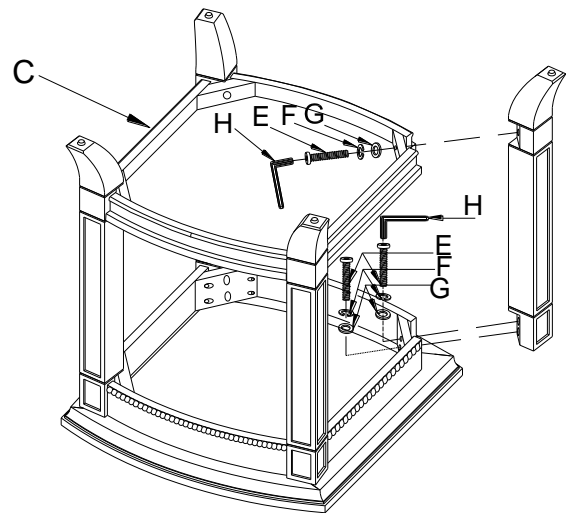
**NOTE: THIS ITEM NOT RECOMMENDED FOR COMMERCIAL USE
KEEP THIS DOCUMENT FOR REFERENCE IN CASE PARTS ARE NEEDED
DO NOT TIGHTEN SCREWS UNTIL COMPLETELY ASSEMBLED!!**

№	DESCRIPTION	Q'TY
A	END TOP 23" X 21" X 4-1/4"H	1PC
B	END LEG 22-1/4" X 2-3/4" X 2-3/4"H	4PCS
C	BOTTOM SHELF 20" X 18" X 46mmH	1PC
D	SIDE FLOWER 14-1/4" X 14" X 1-1/2"H	2PCS
E	BOLT 5/16" X 1-3/4"	12PCS
F	FLAT WASHER 5/16" X 19mm X 1.0mm	12PCS
G	LOCK WASHER 5/16"	12PCS
H	ALLEN KEY 4mm	1PC
I	WOOD SCREW 7mm X 3.5mm X 15mm	4PCS

STEP 1



STEP 2



STEP 3

