

# ASSEMBLY INSTRUCTION

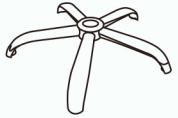
(A)x5



(G)x4



(B)x1



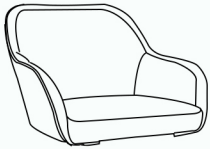
(H)x1



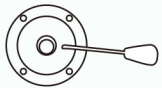
(C)x1



(D)x1



(E)x1

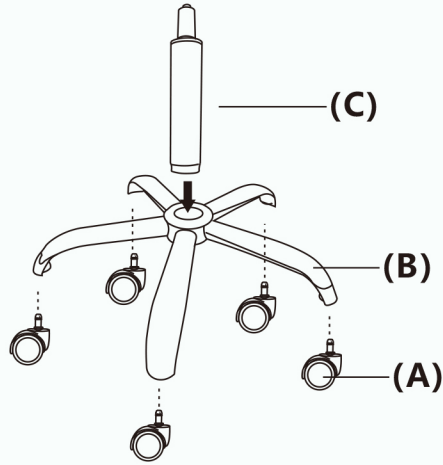


(F)x4

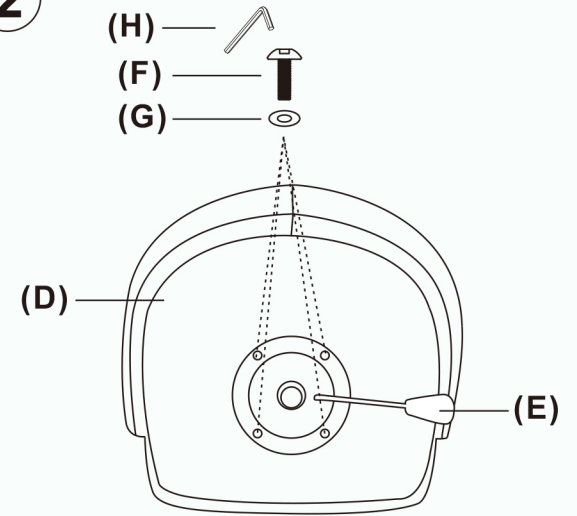


6\*18MM

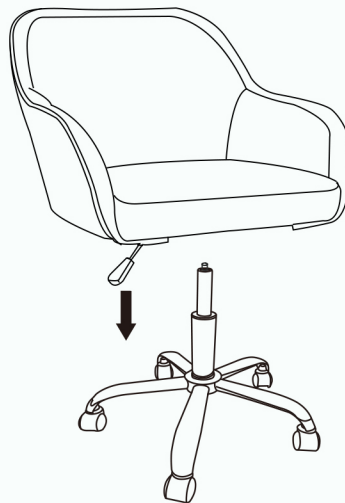
1



2



3



4

