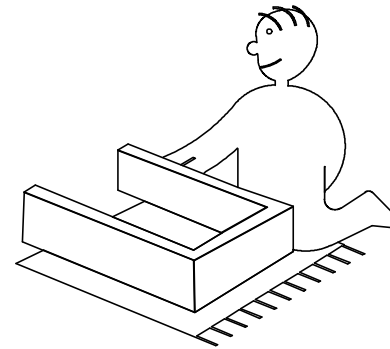
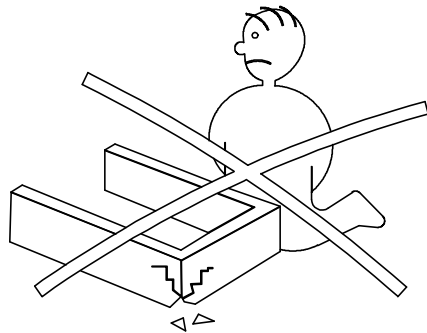
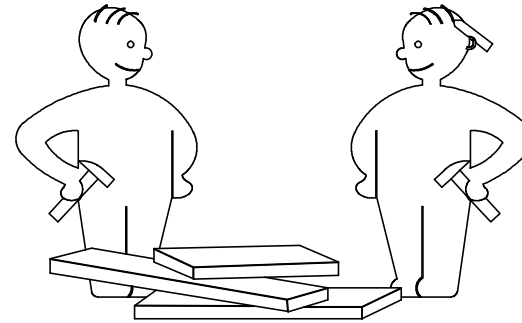
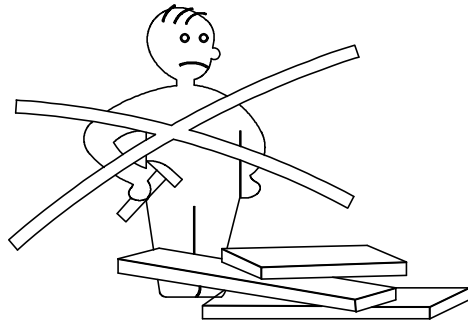
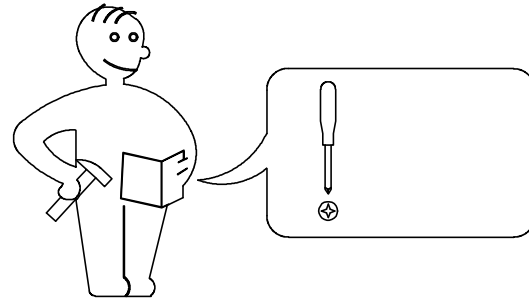
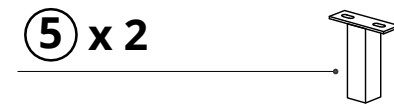
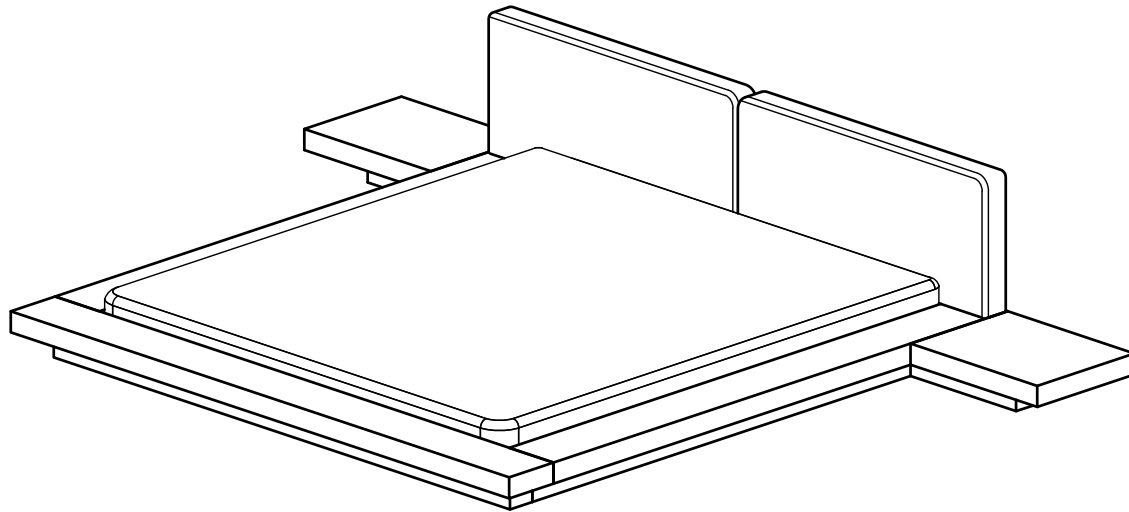


ASSEMBLY INSTRUCTION



ASSEMBLY INSTRUCTION

PARTS

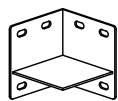


HARDWARE



φ12x50mm

Ⓐ x 4



Ⓑ x 4



M8x25mm

Ⓒ x 32



Ⓓ x 32

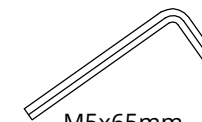


Ⓔ x 4



Ⓕ x 4

TOOL



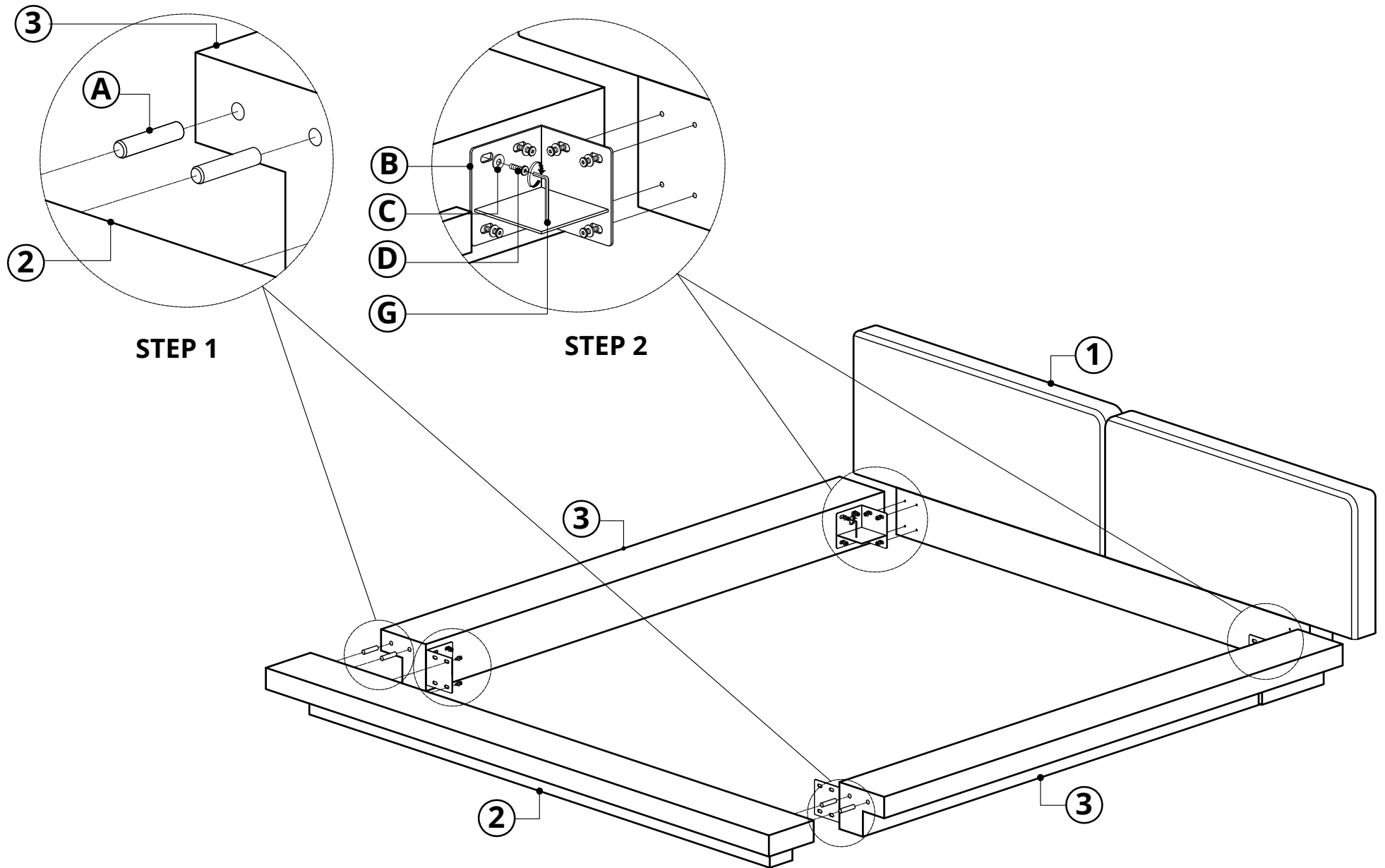
M5x65mm

Ⓖ x 1

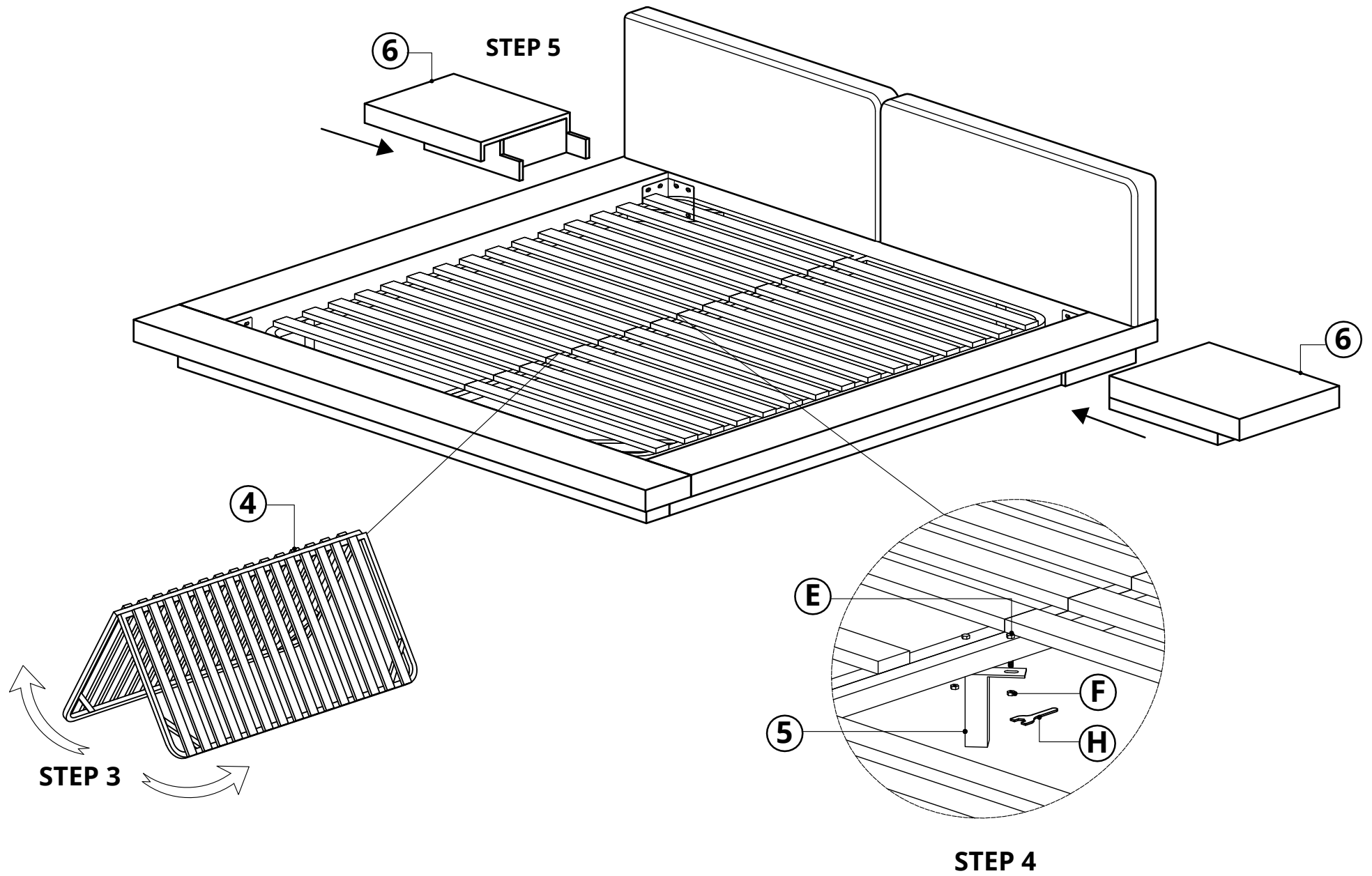


Ⓗ x 1

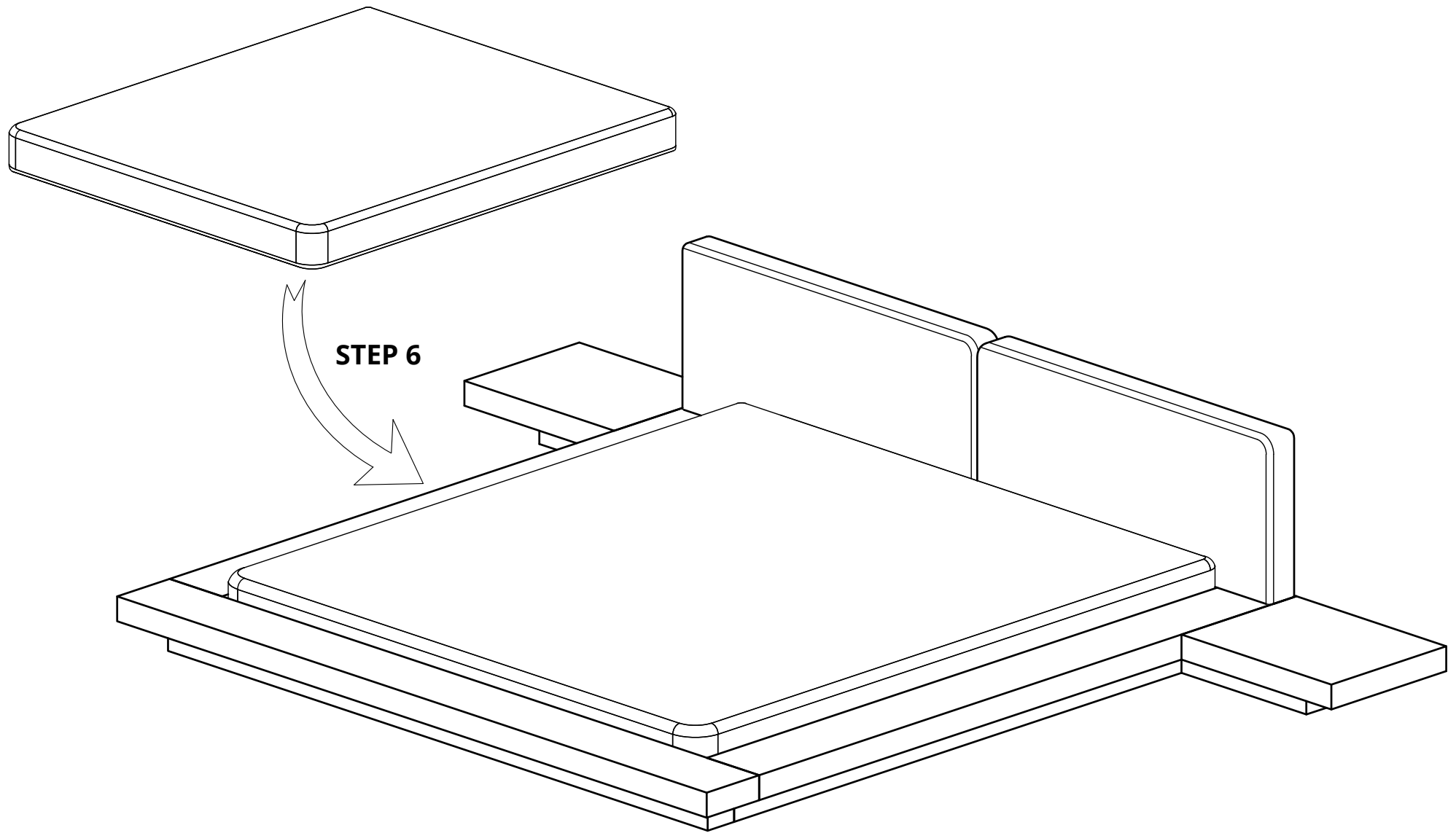
ASSEMBLY INSTRUCTION

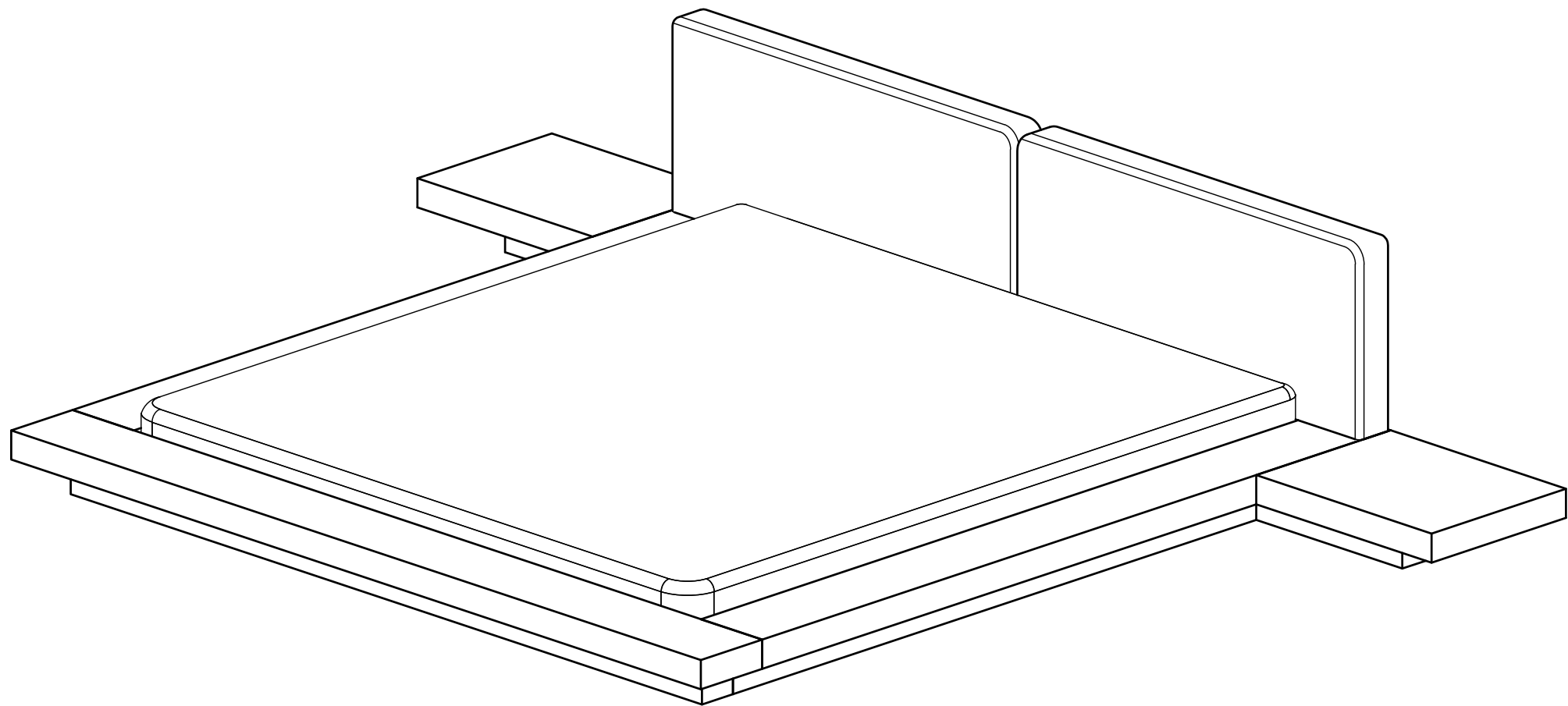


ASSEMBLY INSTRUCTION

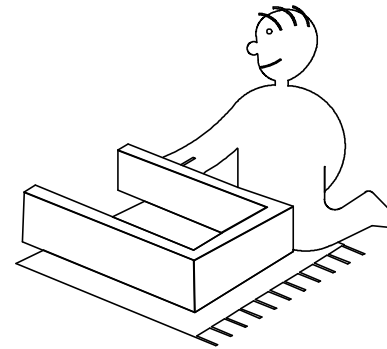
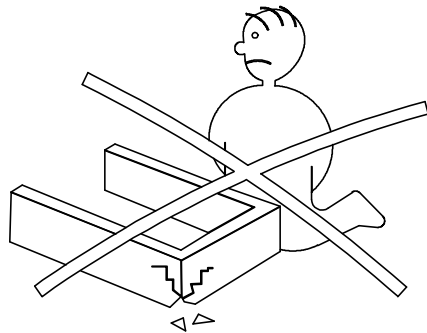
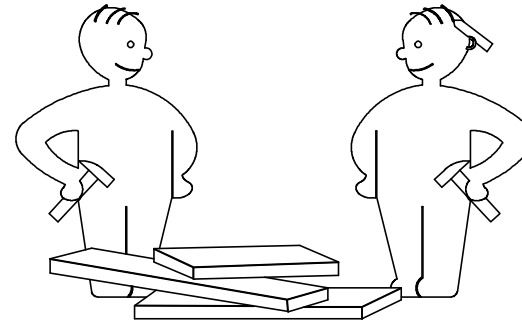
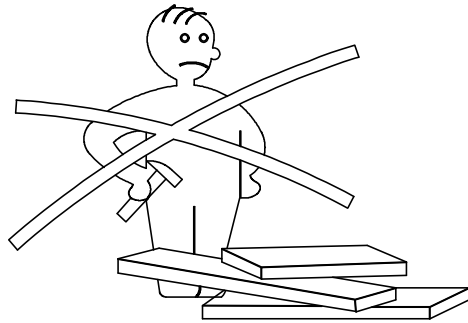
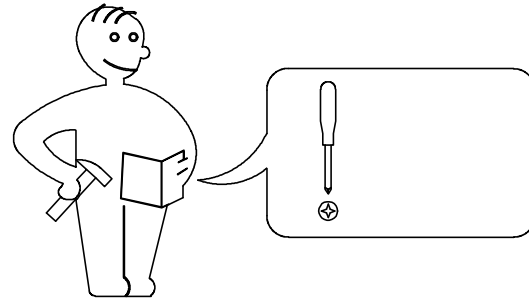


ASSEMBLY INSTRUCTION



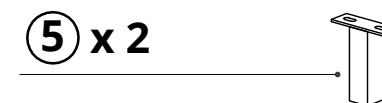
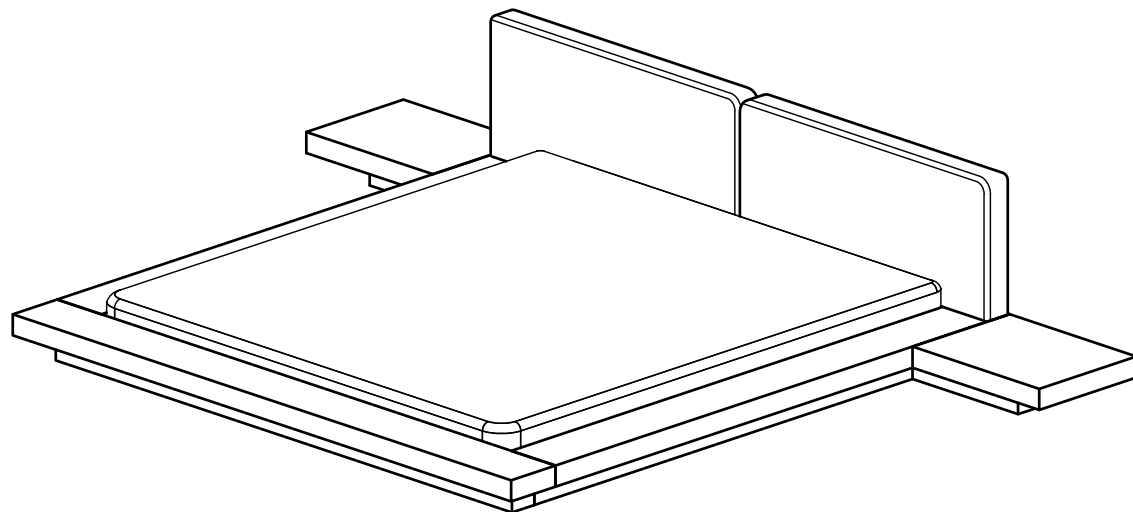


ASSEMBLY INSTRUCTION

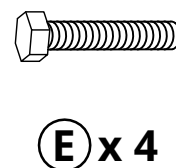
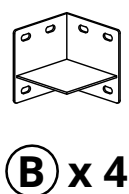


ASSEMBLY INSTRUCTION

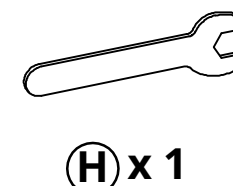
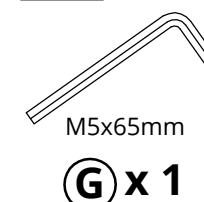
PARTS



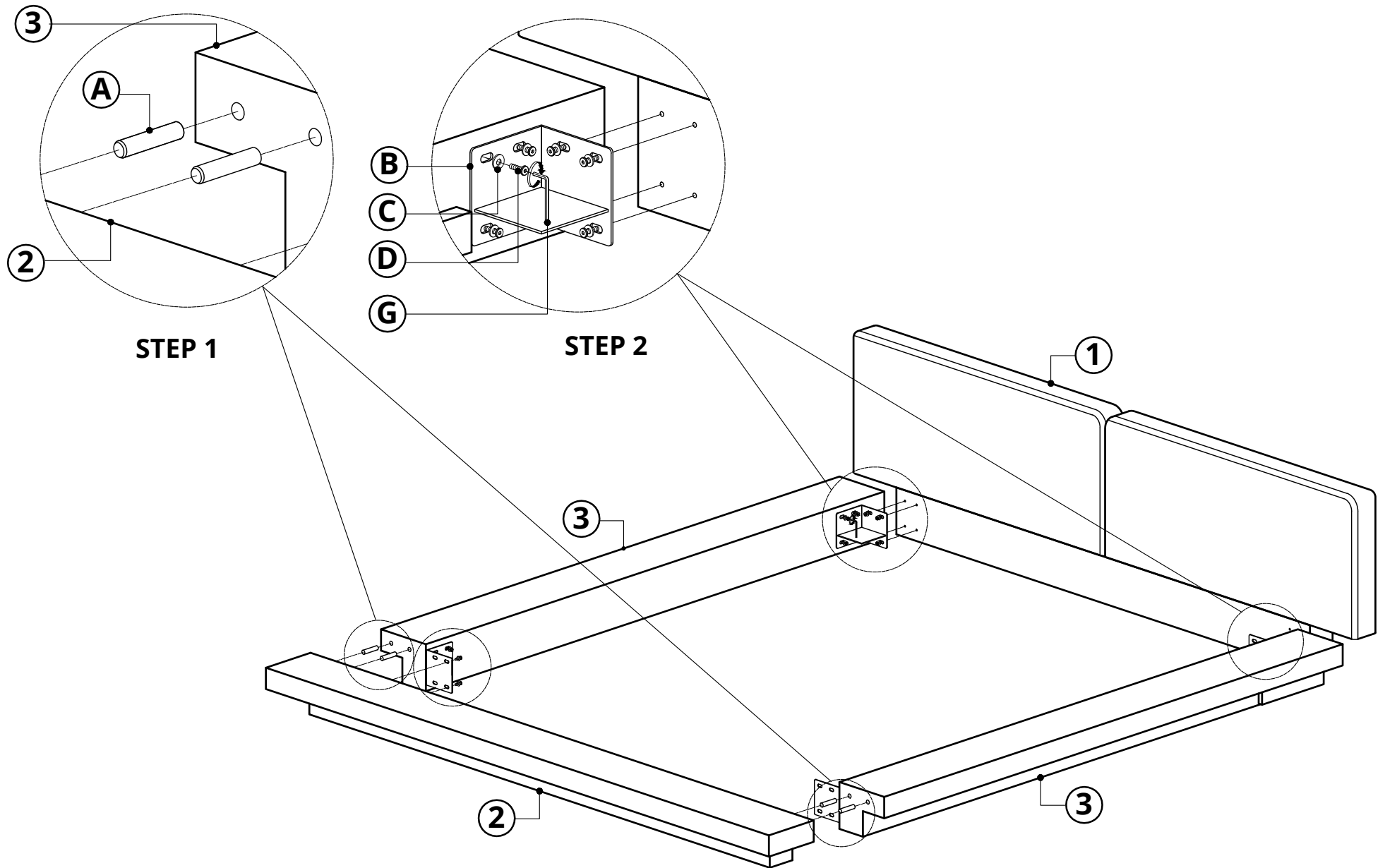
HARDWARE



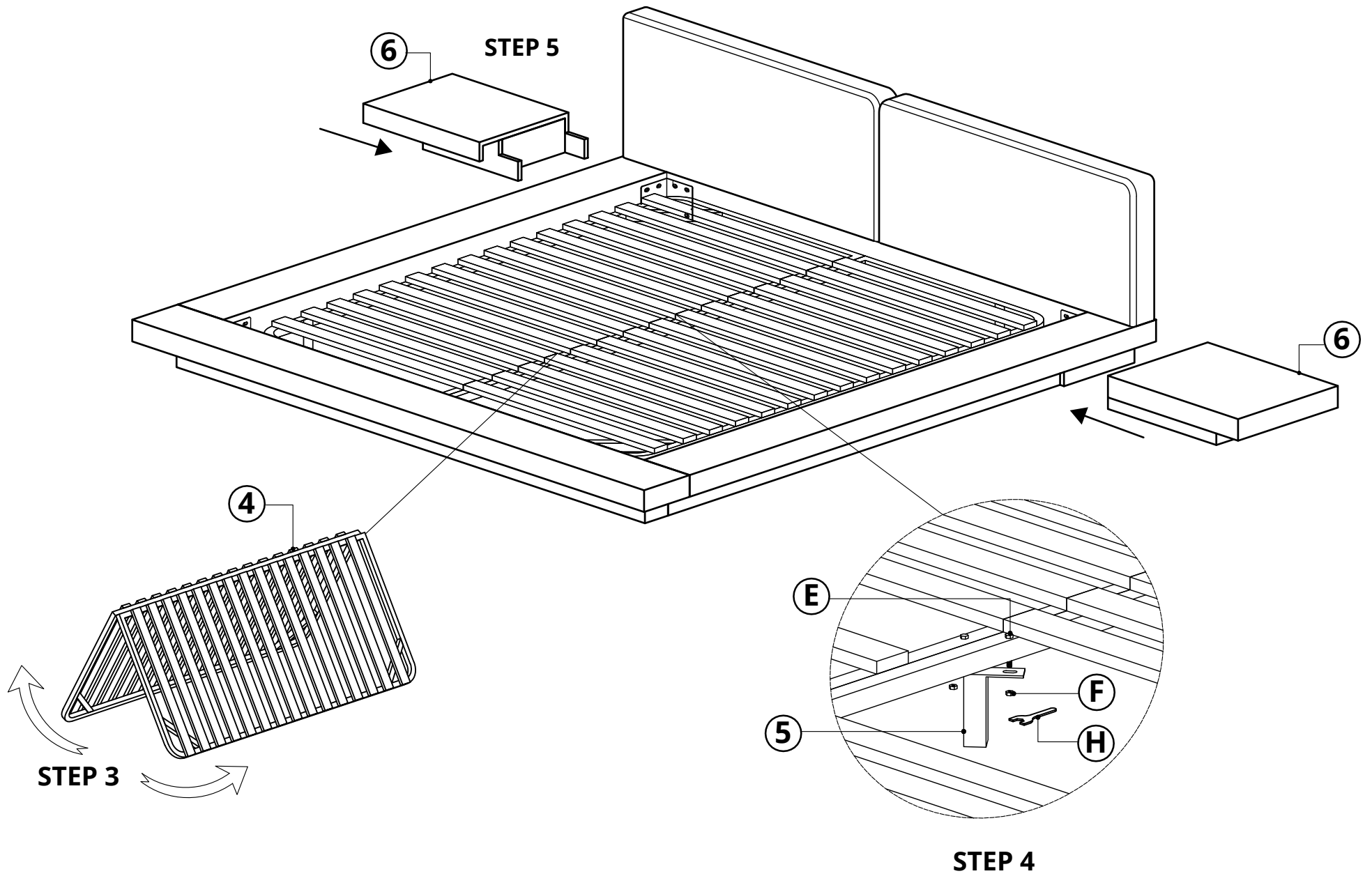
TOOL



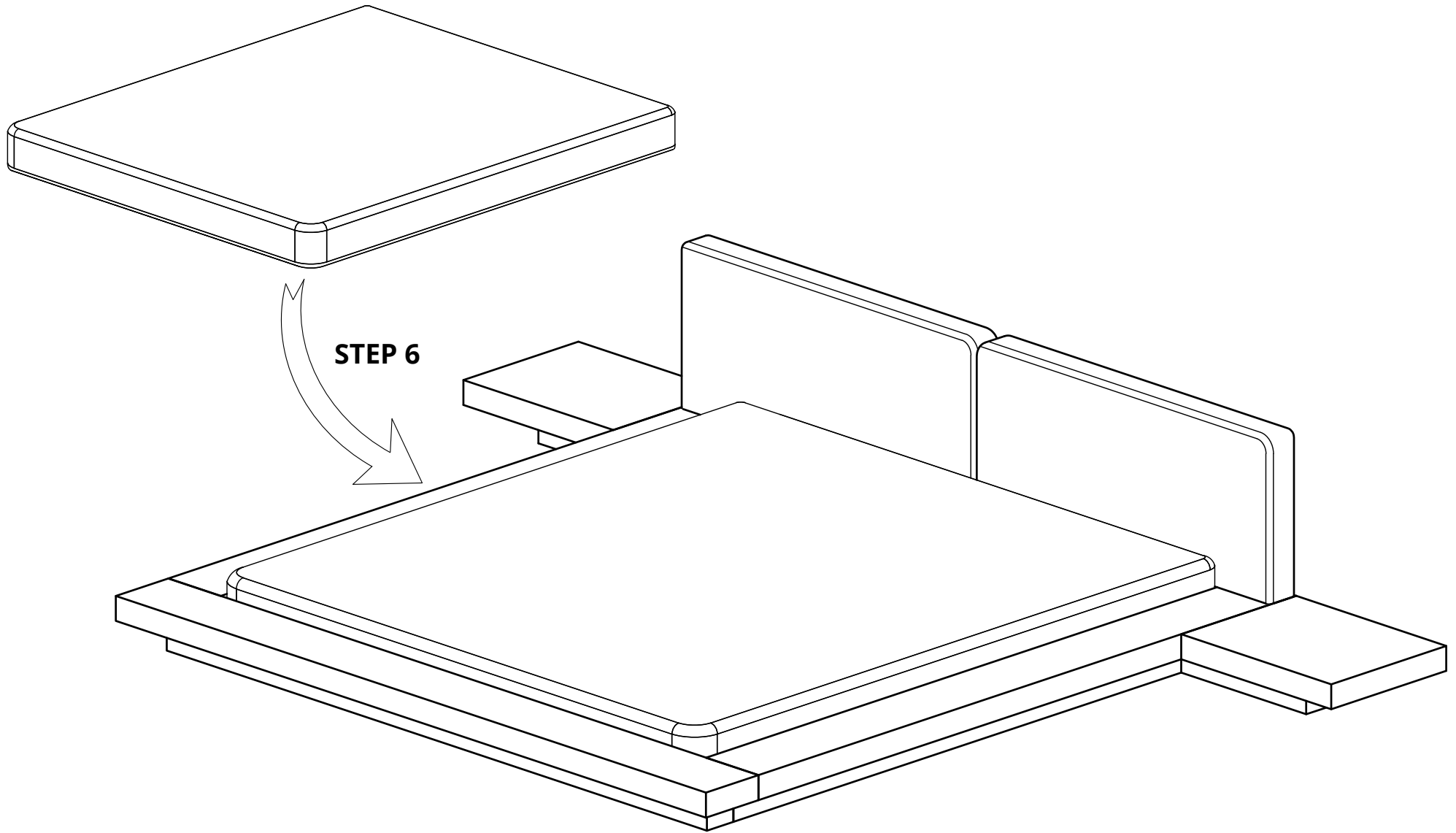
ASSEMBLY INSTRUCTION

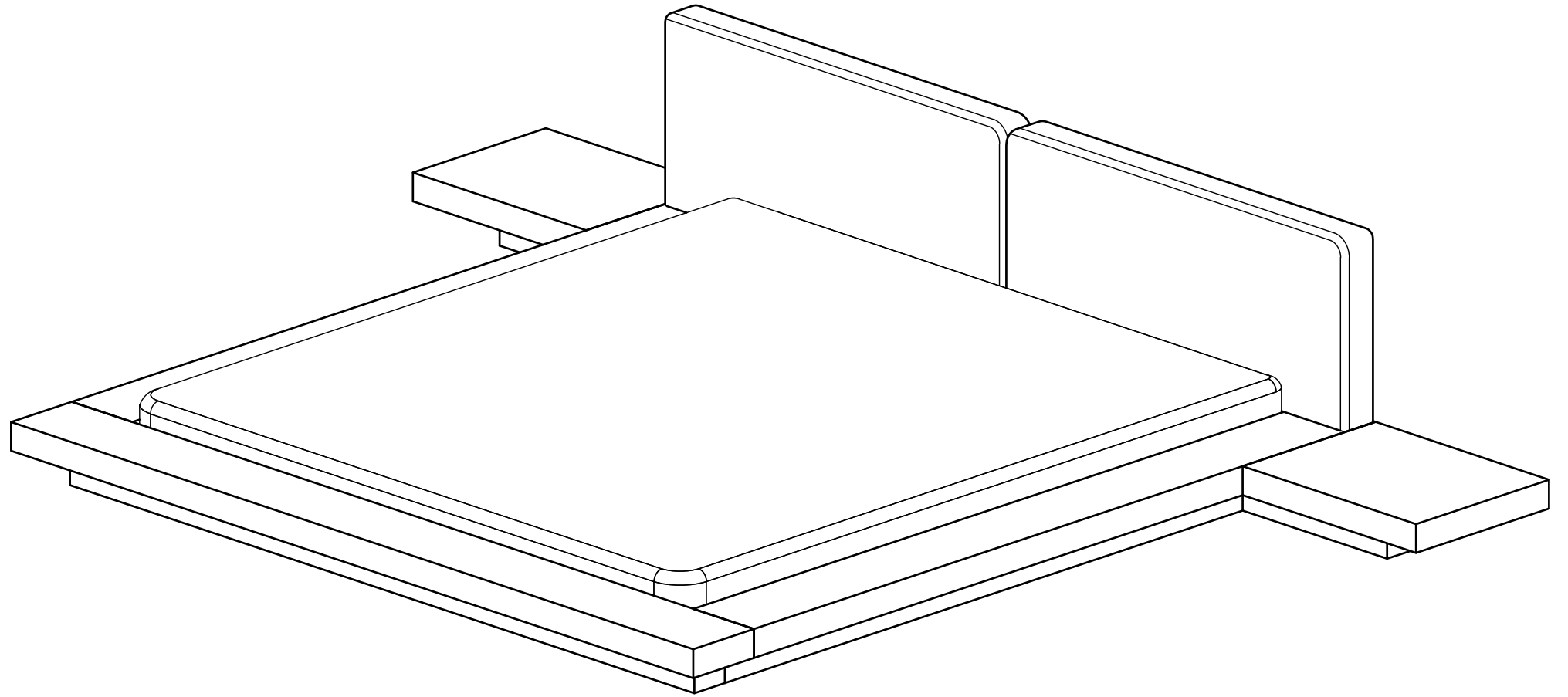


ASSEMBLY INSTRUCTION

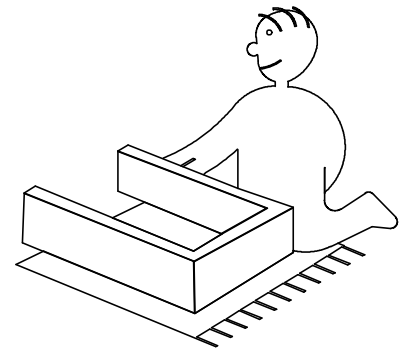
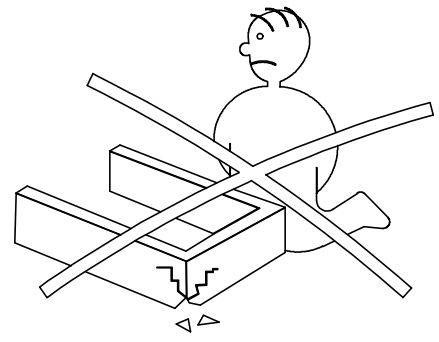
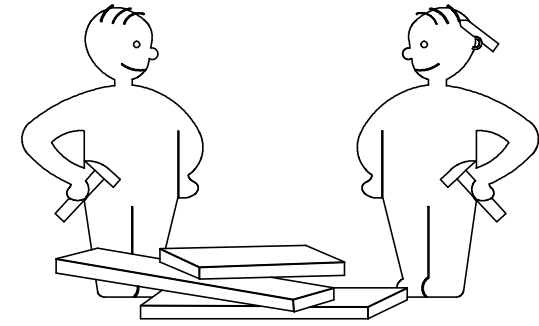
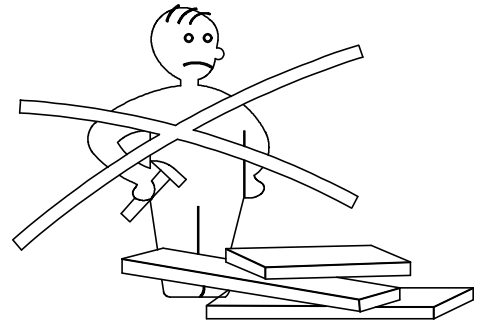
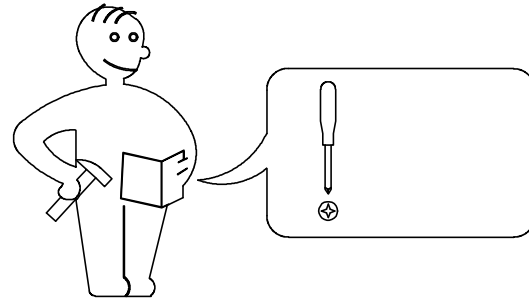


ASSEMBLY INSTRUCTION



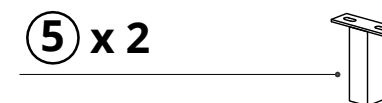
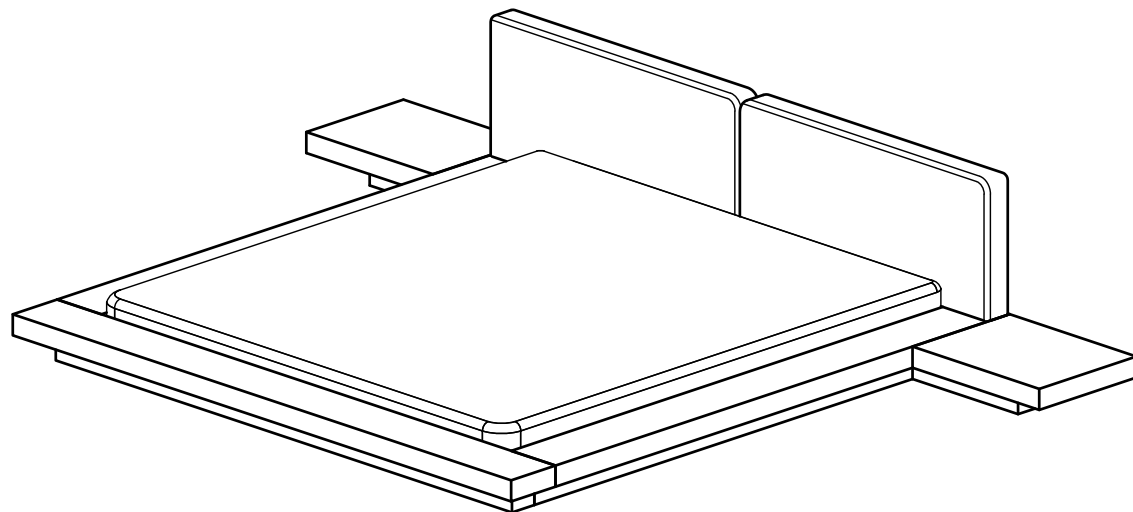


ASSEMBLY INSTRUCTION

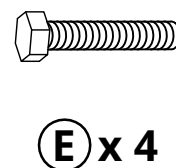
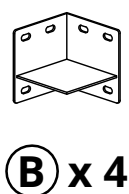


ASSEMBLY INSTRUCTION

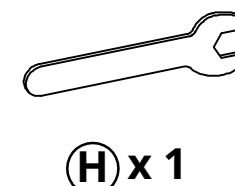
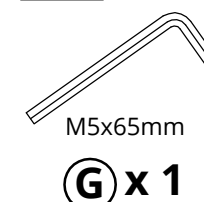
PARTS



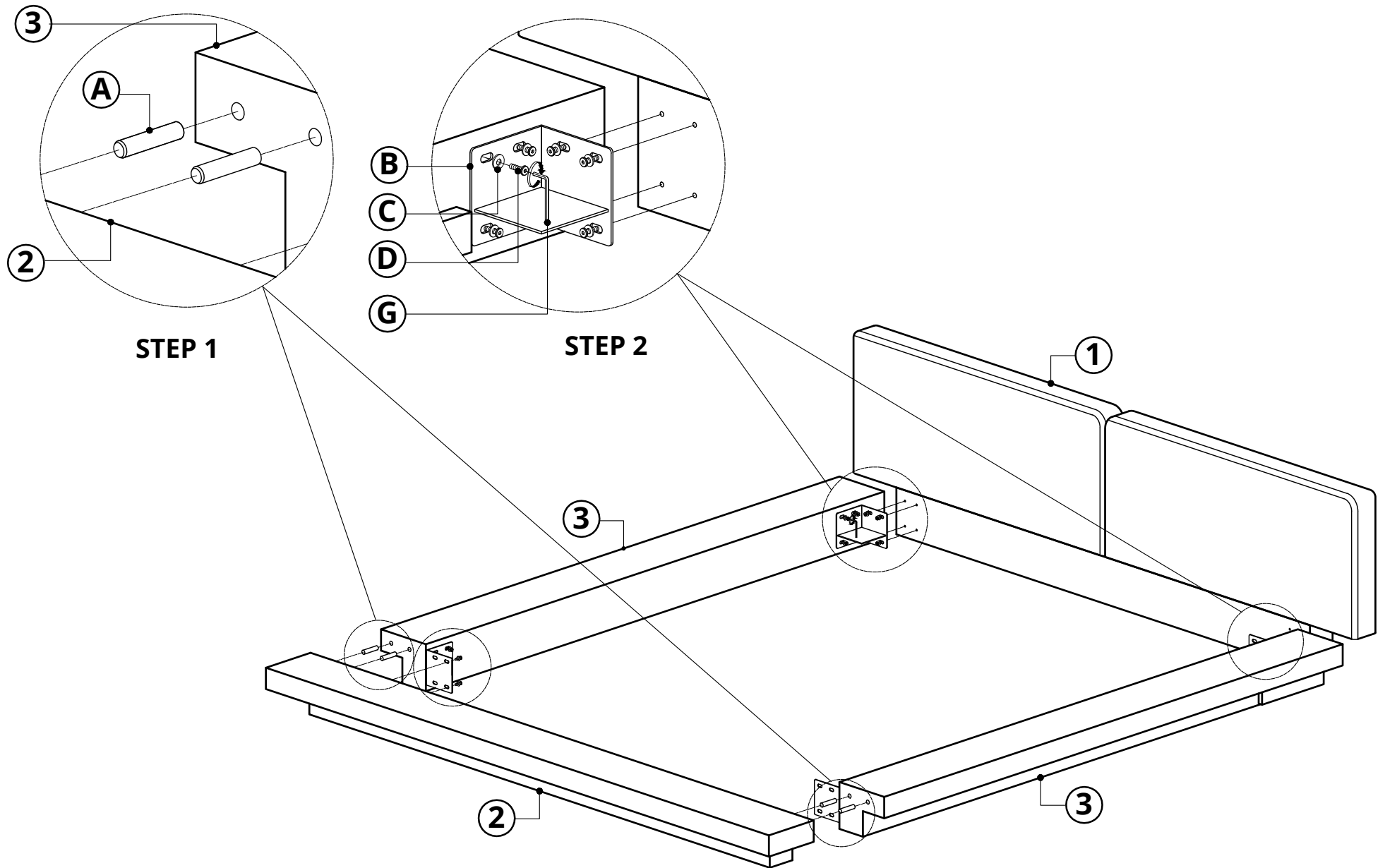
HARDWARE



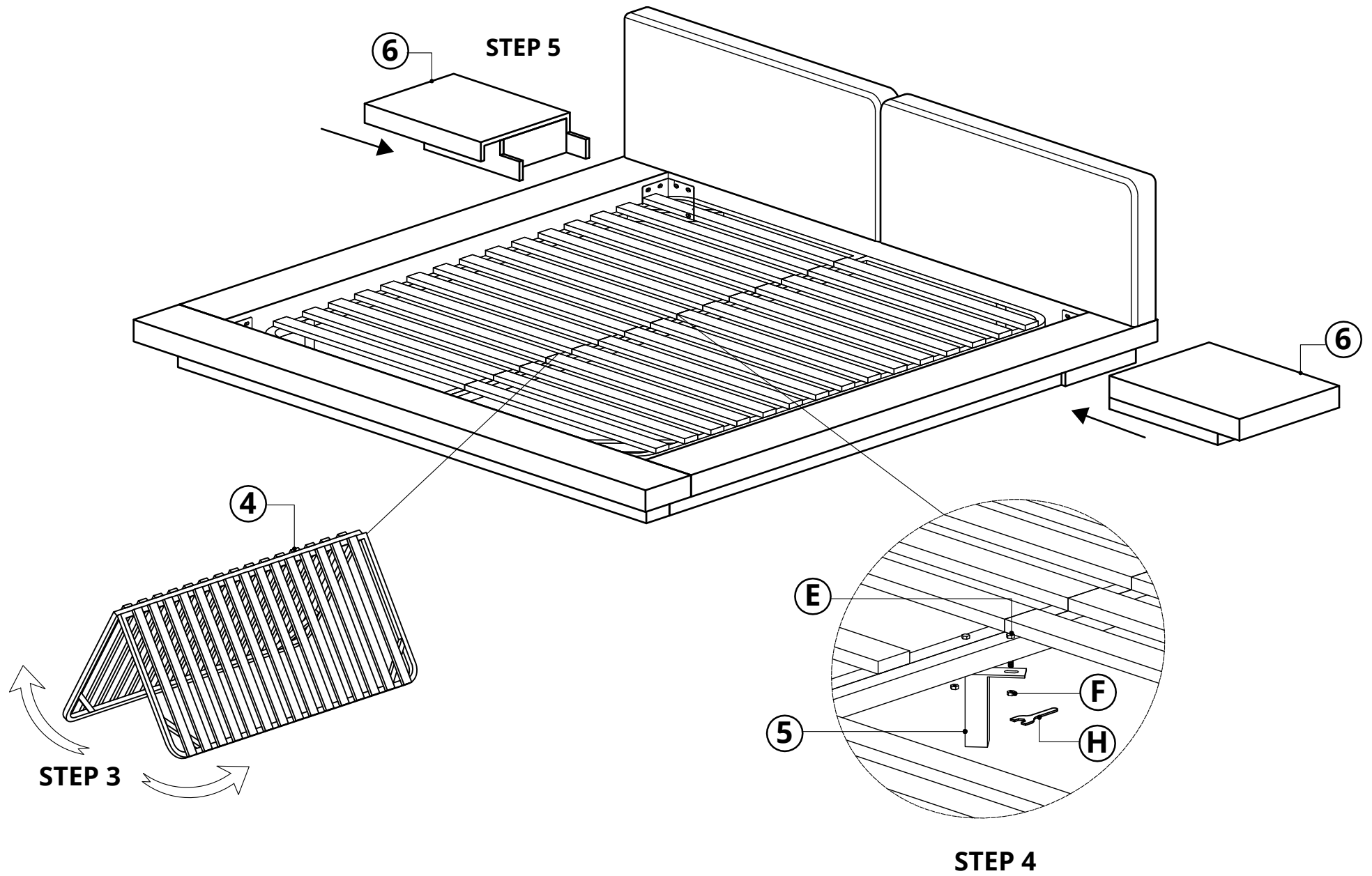
TOOL



ASSEMBLY INSTRUCTION



ASSEMBLY INSTRUCTION



ASSEMBLY INSTRUCTION

