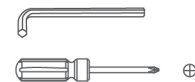


Thank you for purchasing our product!

Please refer and use this assembly instruction to assemble the product. Contact our customer service department in case there are any missing or damaged parts or hardware. Replacement parts are normally shipped within 2 or 3 days.

ASSEMBLY REQUIREMENT

1-Person Assembly
15 Minutes Assembly Time (Approximate)
Tools Required: **Allen Wrench (provided)**
Screwdriver (Not provided)



ASSEMBLY PREPARATION

1. Remove all packaging materials, staples and packing straps from the carton.
2. Refer to Parts List and Hardware List and ensure they are complete before you start assembling.
3. Place all components on a clean, flat and soft surface (e.g. carpet or rug) to prevent parts from getting scratched.

SAFETY PRECAUTION

1. **KEEP ALL HARDWARE PARTS OUT OF REACH OF CHILDREN.**
2. **DISPOSE PLASTIC PACKAGING MATERIAL IMMEDIATELY TO AVOID ANY RISK OF SUFFOCATION TO CHILDREN AND ANIMALS.**

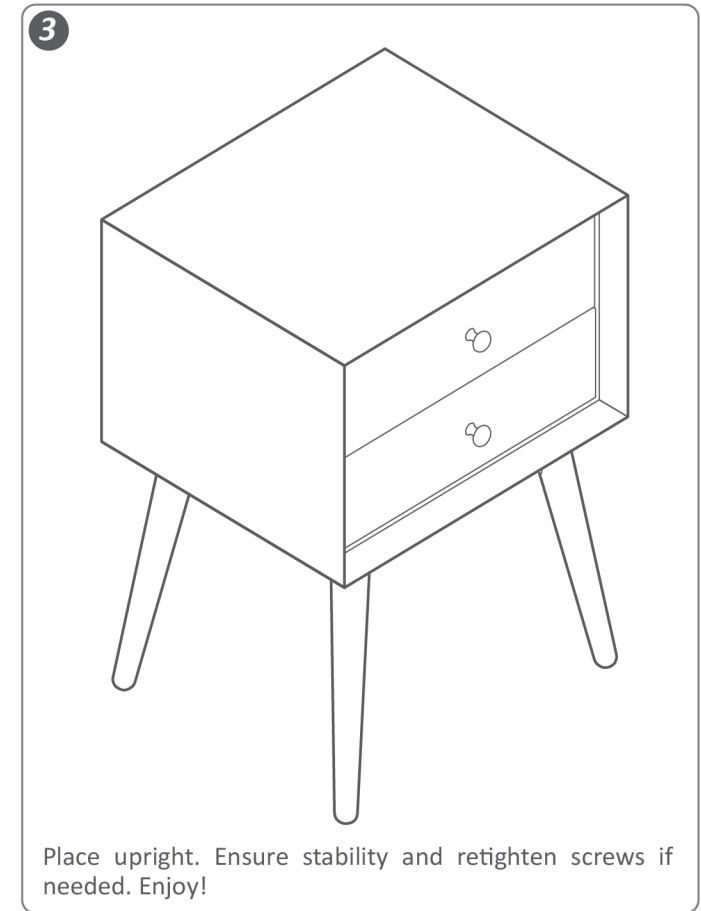
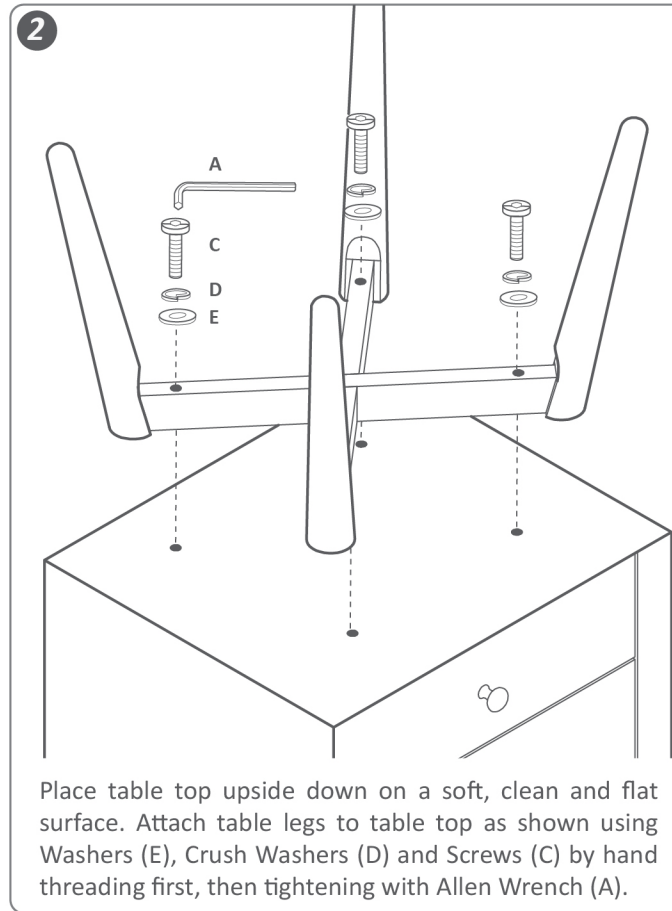
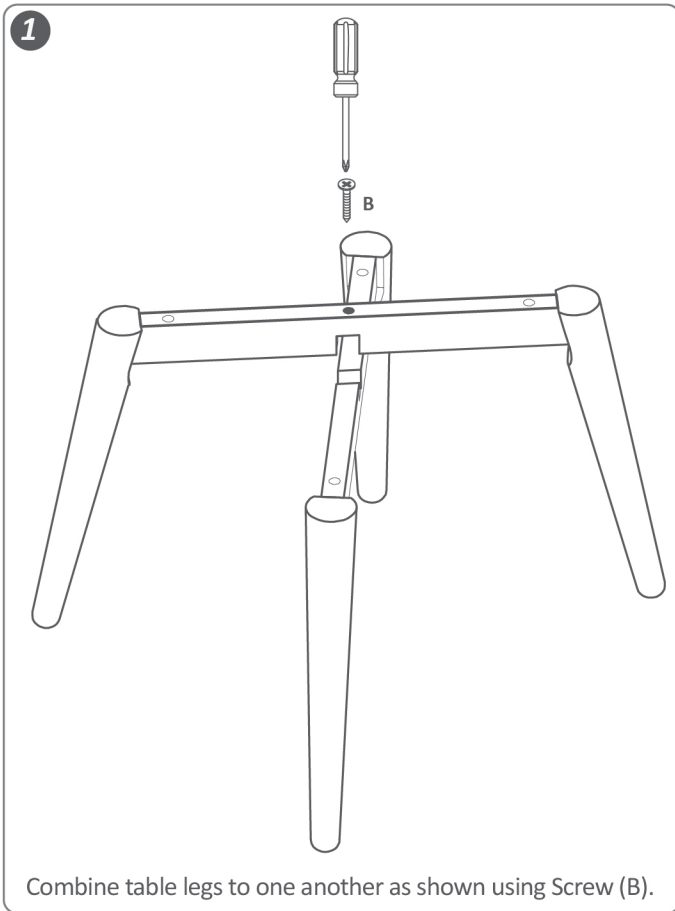
TIPS FOR ASSEMBLY

1. Allow ample room for assembly and in close proximity to where product will be placed.
2. Assemble the product on a surface that does not scratch or damage the exterior and finish of the furniture.
3. Please check all of the parts and quantities are included before assembly. Contact customer service for missing parts.
4. Identify all of the parts, hardware and quantities required for each step.
5. During assembly, do not over-tighten any fittings as this may cause damage.
6. **DO NOT USE POWER TOOLS TO ASSEMBLE THIS PRODUCT.**
7. Always place the product on a flat surface.
8. Do not sit or stand on the partially assembled product, only use the product for which it is intended.

CARE AND USE

- Recommended for indoor use only.
- Rated for residential non commercial use only.
- Wipe with a soft, dry cloth. Do not use harsh abrasives or household cleaners as they may damage the finish.
- Check all the fittings periodically and re-tighten as necessary. Do not use the product if any of the parts is damaged or broken.
- Never allow any kind of liquid to remain on your furniture. Absorption can cause surface damage.
- Do not place hot items (e.g. hot drinks) directly onto the surface.
- Do not drag and/or pull the furniture.

ASSEMBLY INSTRUCTIONS ITEM # EM-510



- RECOMMENDED FOR INDOOR USE ONLY.
- DO NOT STAND ON ANY PART OF THIS SIDE TABLE.
- DO NOT USE THE SIDE TABLE UNLESS ALL BOLTS AND SCREWS ARE TIGHT.
- AT LEAST EVERY SIX MONTHS CHECK ALL BOLTS AND SCREWS TO BE SURE THEY ARE TIGHT.
- IF ANY PARTS ARE MISSING, BROKEN, DAMAGED OR WORN, STOP USING THE PRODUCT UNTIL REPAIRS ARE MADE WITH FACTORY-AUTHORIZED PARTS.
- FAILURE TO FOLLOW THESE WARNINGS CAN RESULT IN SERIOUS INJURY.

	A	B	C	D	E
PARTS CHECKLIST	Allen Wrench	25MM Screw	④ 60MM Screws	④ Crush Washers	④ Washers