

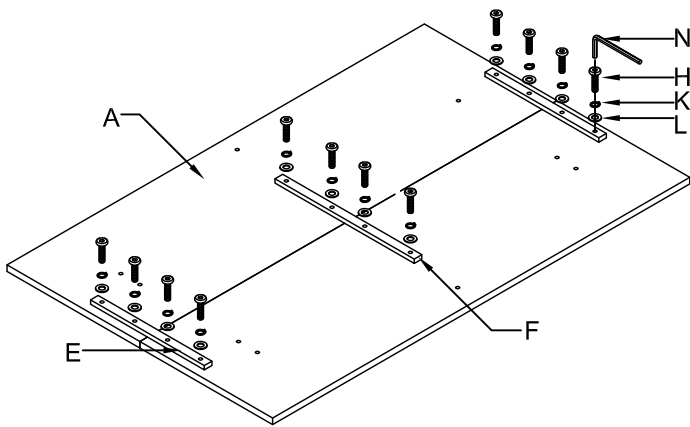


Ax2 	Bx2 	Cx2 	Dx2 	Ex2 	Fx1
Gx1 	Hx12 	Ix10 	Jx4 	Kx12 	Lx12
Mx4 	Nx1 	Ox11 	Px11 	Qx1 	

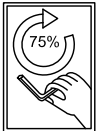
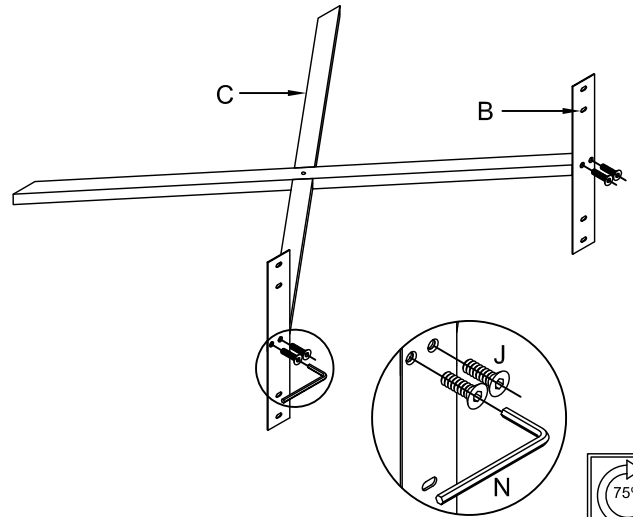
SPARE(Ersatzteile)

Hx1 	Ix1 	Jx1 	Kx1 	Lx1 	Mx1 	Ox1 	Px1
6x25mm	8x20mm	8x16mm					

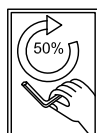
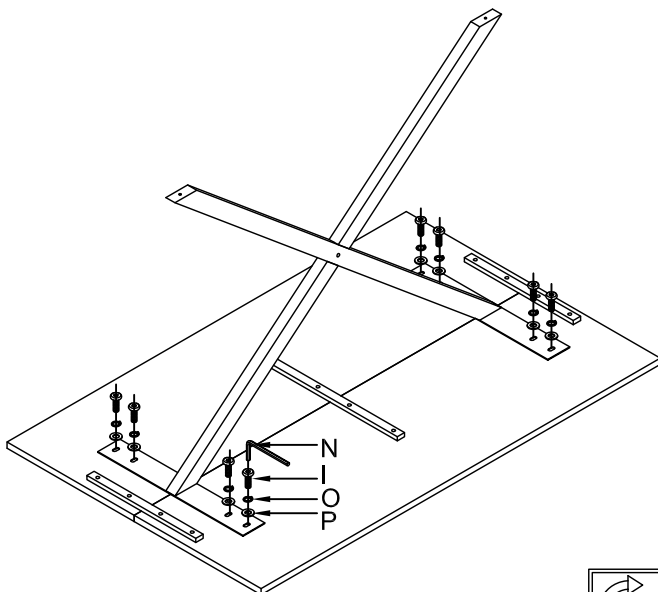
Step1



Step2



Step3



Step4

