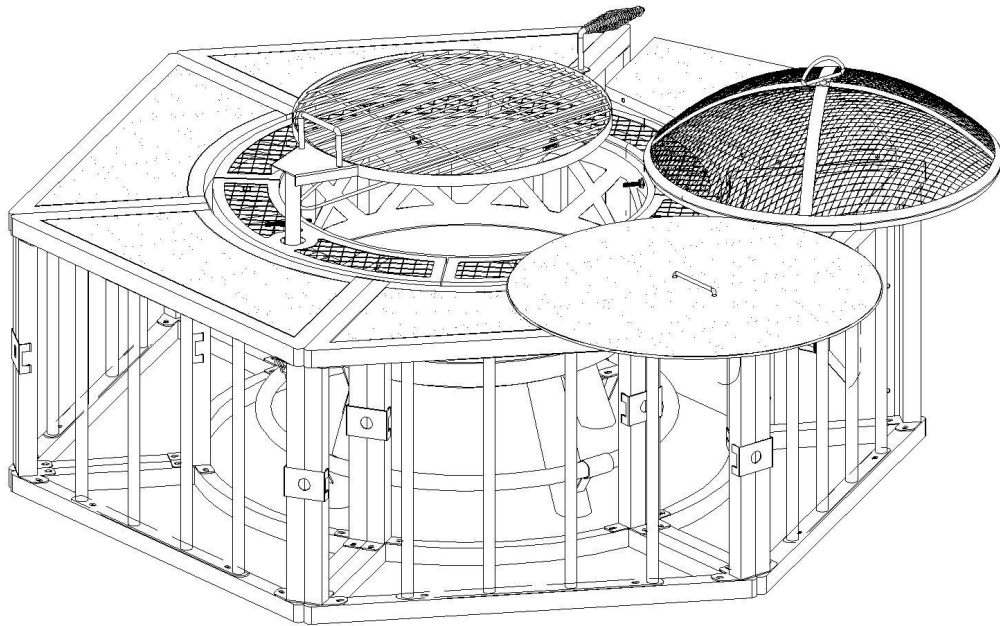


Assembly Instruction



INSTRUCTION MANUAL

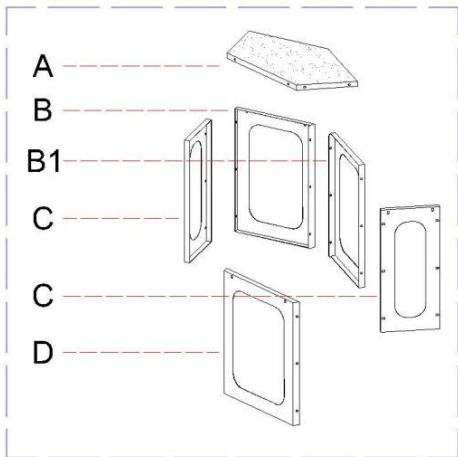
Outdoor Multifunctional Table

IF YOU PURCHASED THE BENCH ONLINE AND HAVE
ANY QUESTIONS OR CONCERNS PLEASE CONTACT
US WITH EMAIL OR WHATSAPP.

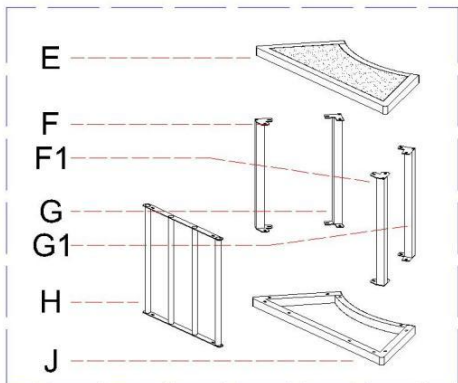
A	1	
B	1	
B1	1	
C	2	
D	1	

E	5	
F	5	
F1	5	
G	5	
G1	5	
H	5	
J	5	

S1	125	
S2	25	
S3	8	

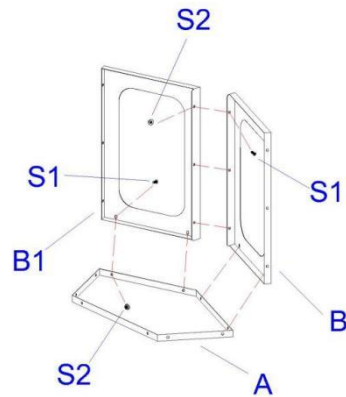


Spare hardware		
S1	5	
S2	5	
S3	1	

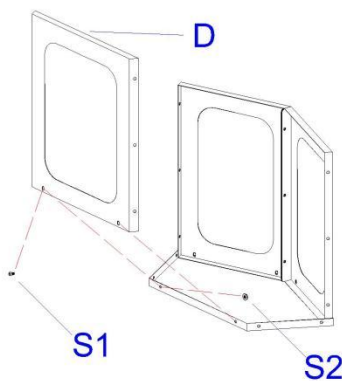


x5

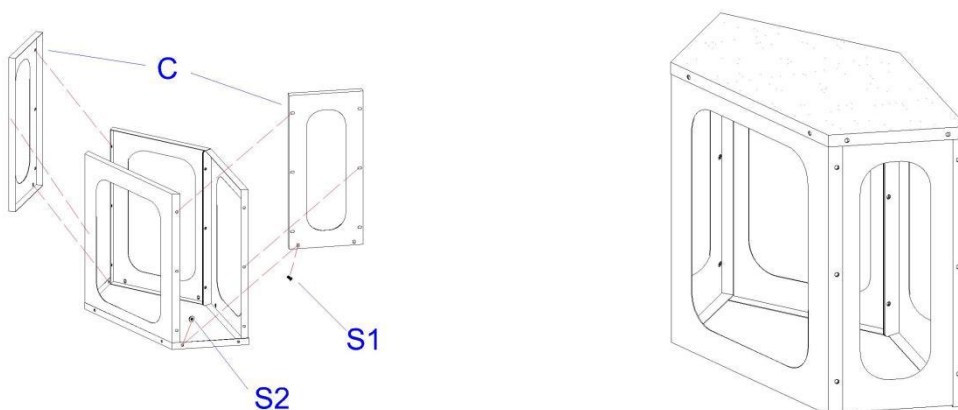
Step 1, Turn the table top (A) over and place it on the plane, assemble the table foot (B/B1) and the table top (A) with S1+S2/4PCS (M6*12mm bolts +M6 nuts), then assemble the table foot (B/B1) with S1+S2/3PCS (M6*12mm bolts +M6 nuts), please note, Do not lock the nut in this step.



Step 2. Assemble the table foot (D) and table top (A) with S1+S2/2PCS (M6*12mm bolts +M6 nuts).

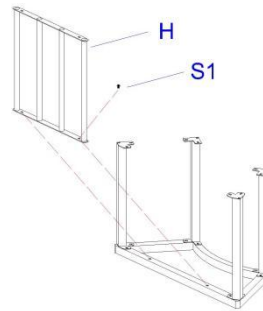
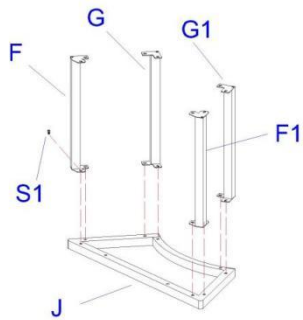


Step 3, Assemble the table foot (C*2) and table top (A) with S1+S2/4PCS (M6*12mm bolts +M6 nuts) according to the figure, and then splice the table foot (C) with the table foot (B/B1/D) respectively S1+S2/12PCS (M6*12mm bolts +M6 nuts) are assembled. After all parts are assembled, lock all nuts.

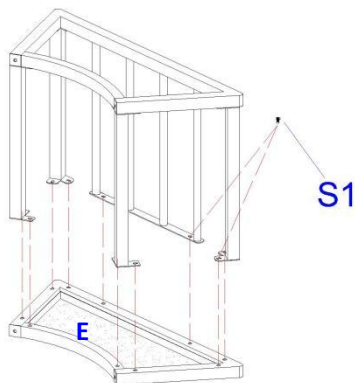


Step4,Lay the table base (J) flat and assemble the table foot (F/F1/G/G1) and the chair surface (J) with S1+S2/8PCS (M6*12mm bolts +M6 nuts). Do not lock the nuts in this step.

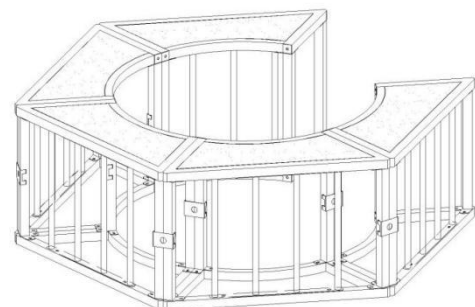
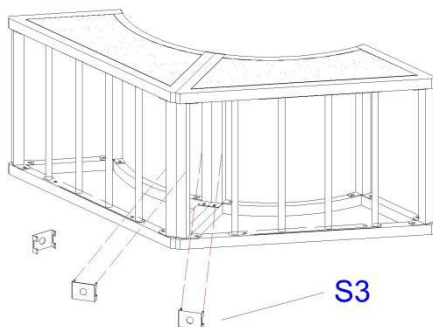
Step5.Assemble the side panel (H) and table base (J) with S1+S2/2PCS (M6*12mm bolts +M6 nuts), and do not lock the nuts first.



Step 6,Turn the table top (E) over and place it on a flat surface, then align the foot of the table (F/F1/G/G1/H) with the hole and use S1+S2/10pcs (M6*12mm bolts +M6 nuts). Assemble and then lock all nuts.



Step7,After all tables are assembled, splice t fasten the table connection with 8PCS S3 (clasp) according to the figure to prevent movement.



Tip:

1. The front and back feet of the splicing desktop need to be stuck.
- 2, table split When the chair is used, please keep a safe distance from the brazier, and put away the buckle to avoid loss.

