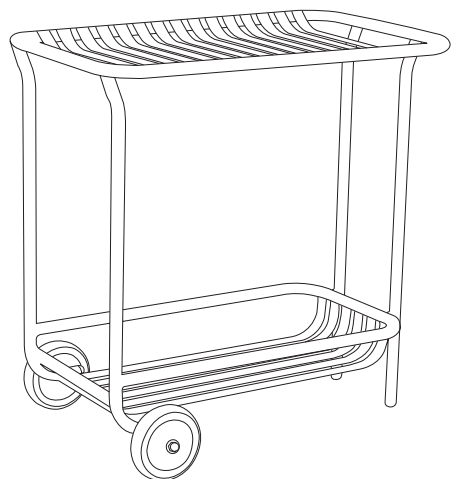


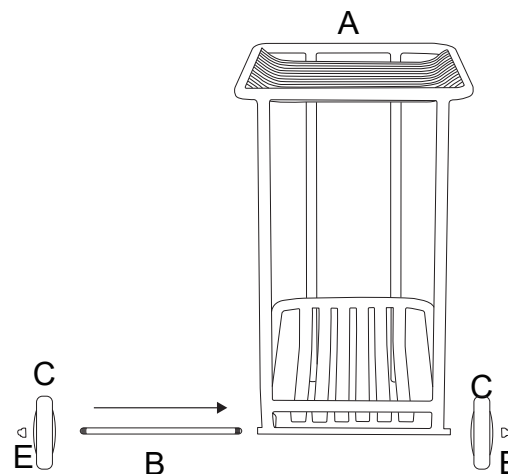
# Assembly Instructions

## ENID Outdoor Cart

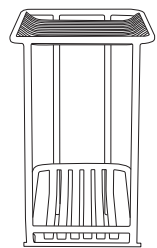
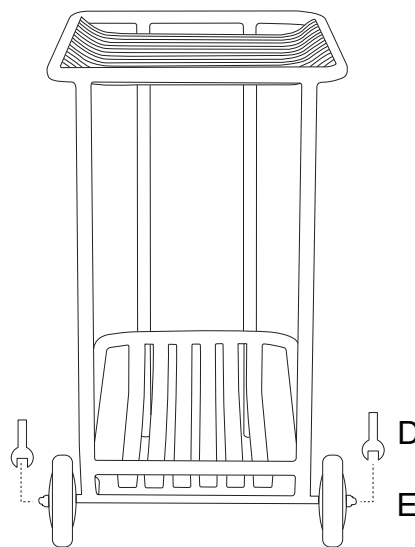
PLEASE NOTE: Check that you have received all components and hardware before assembling. If you are missing any parts, contact your retailer.



### Step 1



### Step 2



A (1 pc)



B (1 pc)



C (2 pcs)



D (1 pc)



E (2 pcs)

During assembly, hand tighten screws only. When the screws are in place, tighten completely.