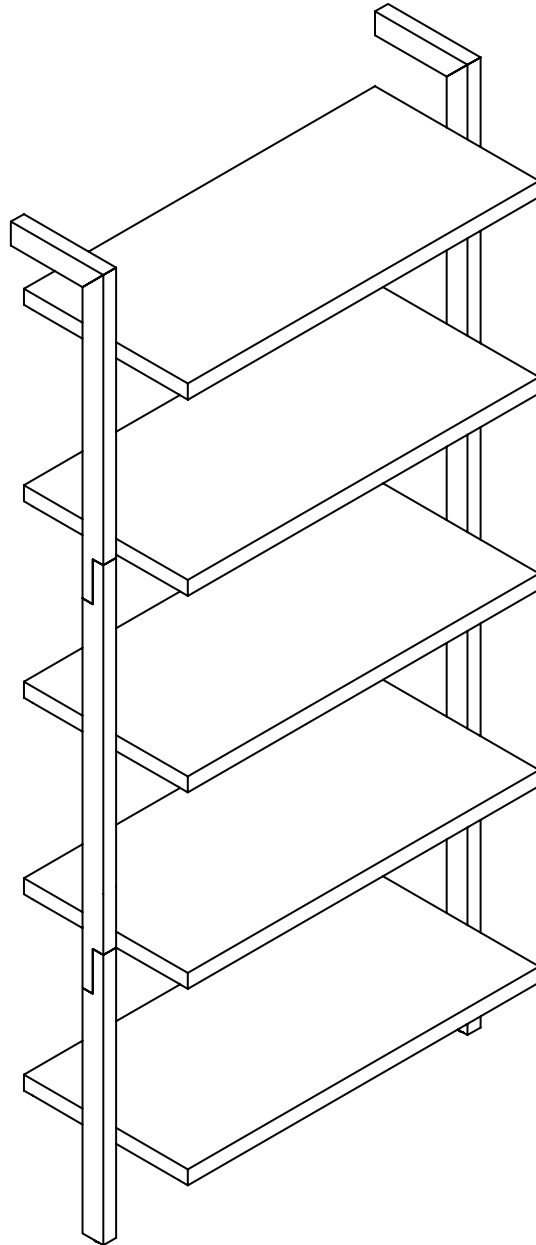


Let's build the

# Beacon Bookshelf

SKU 67610



**Scan me!**

Free Lifetime  
Warranty

nathan james

24-0529-VN

# Ok, let's get rolling

This should be easy, just follow our instructions and you will be back to Netflix in no time.

## Estimated time for assembly



75:00

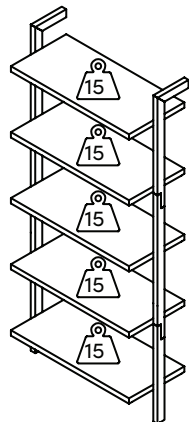
## What you need

- Some of your favorite bubbly or your preferred relaxant
- Use the packaging carton as a working surface to prevent product damage during assembly
- Phillips head screwdriver
- Drill
- 1/4" Drill Bit (for non-drywall)
- 1/4" Drill Bit (for drywall)

## Weight Limitation



75  
lbs



## What's included

Description	Qty
A Shelf Panel	5
B Top Vertical Support (Left)	1
C Middle Vertical Support (Left)	1
D Bottom Vertical Support (Left)	1
E Top Vertical Support (Right)	1
F Middle Vertical Support (Right)	1
G Bottom Vertical Support (Right)	1
1 Ø 1/4" x 35mm Bolt	28
2 Ø 1/4" x 12mm Spring Washer	28
3 Ø 1/4" x 13mm Flat Washer	28
4 Allen Key	1
5 Non-drywall Wall Anchor	5
6 Drywall Wall Anchor	5
7 M4 x 60mm Screw	5
8 Leveler (Extra)	2

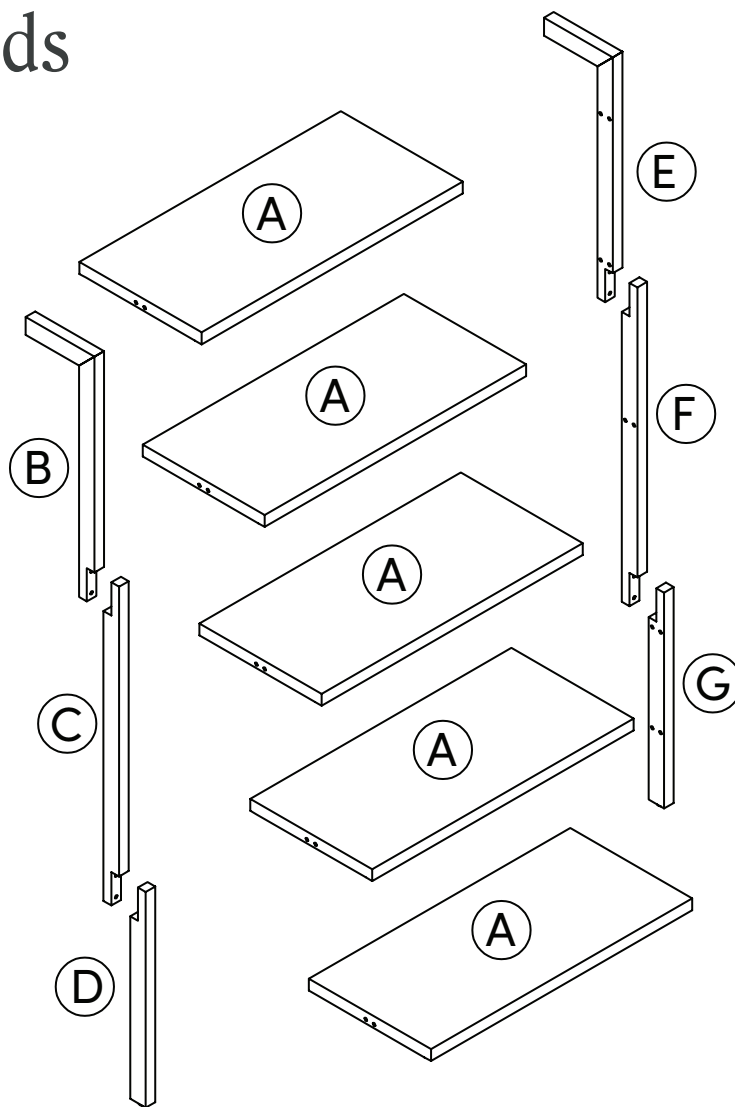
Scan me!

Free Lifetime  
Warranty

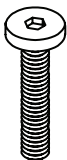


Toll-free at 1-866-619-1004  
Help@nathanjames.com  
Nathanjames.com/help

# The goods



1



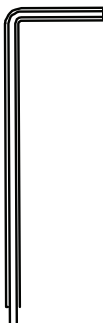
2



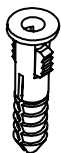
3



4



5



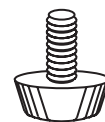
6



7



8



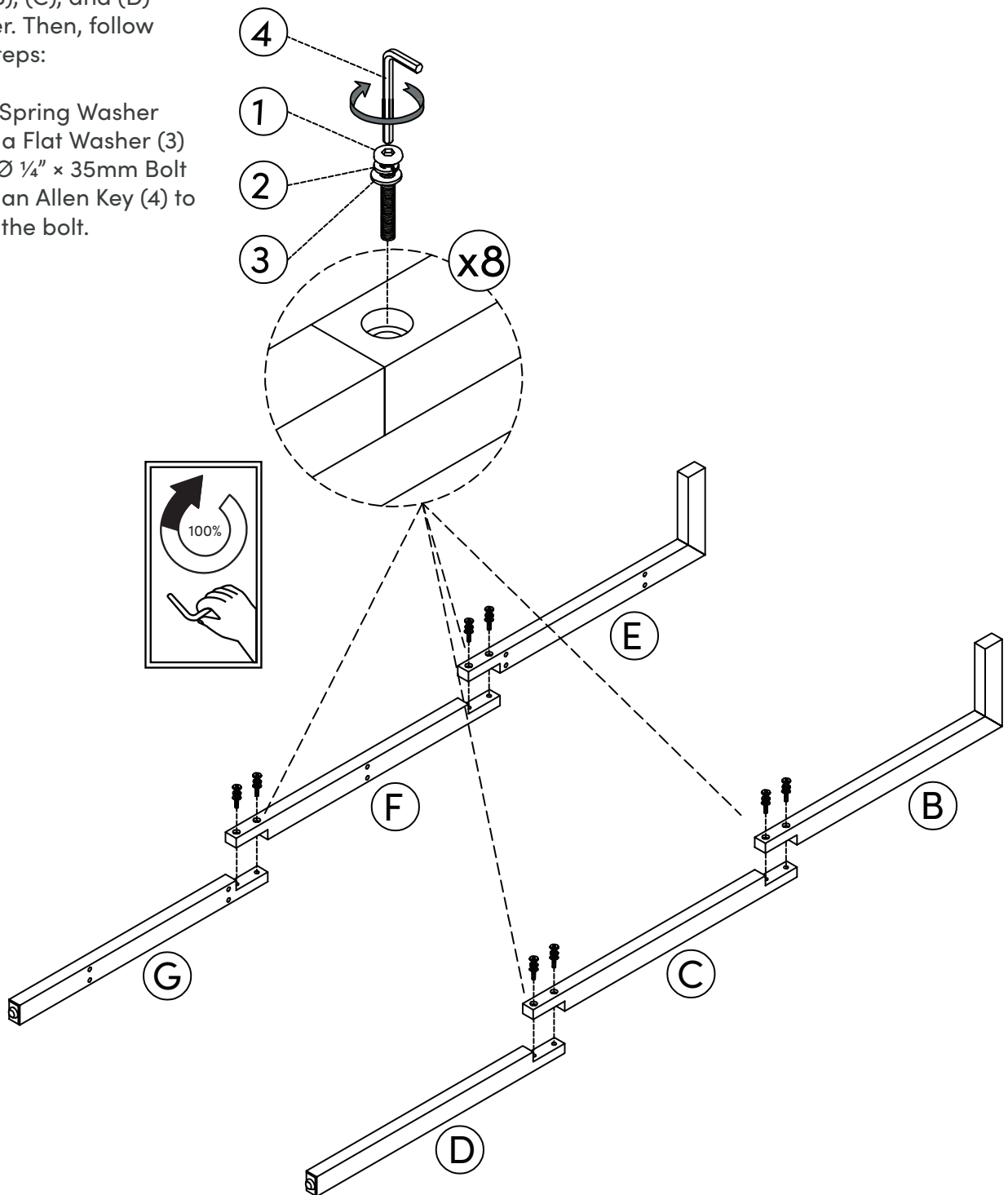
## IMPORTANT

1. Do not tighten bolts / screws completely until all bolts / screws are lined up and inserted into holes.
2. Do not over tighten screws and bolts to avoid stripping.

# Step 1

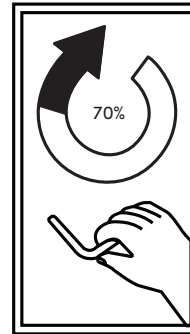
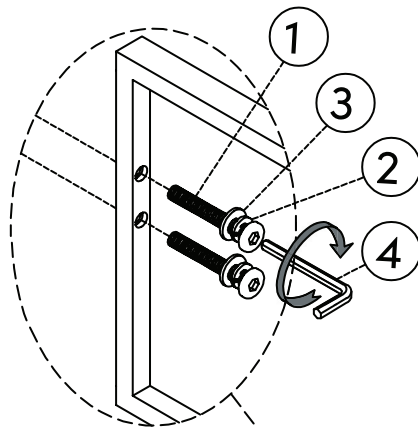
Let's get started!  
Assemble the vertical supports as shown in the picture below by tightening parts (E), (F), and (G) together and parts (B), (C), and (D) together. Then, follow these steps:

Slide a Spring Washer (2) and a Flat Washer (3) onto a  $\text{Ø } \frac{1}{4}'' \times 35\text{mm}$  Bolt (1). Use an Allen Key (4) to tighten the bolt.

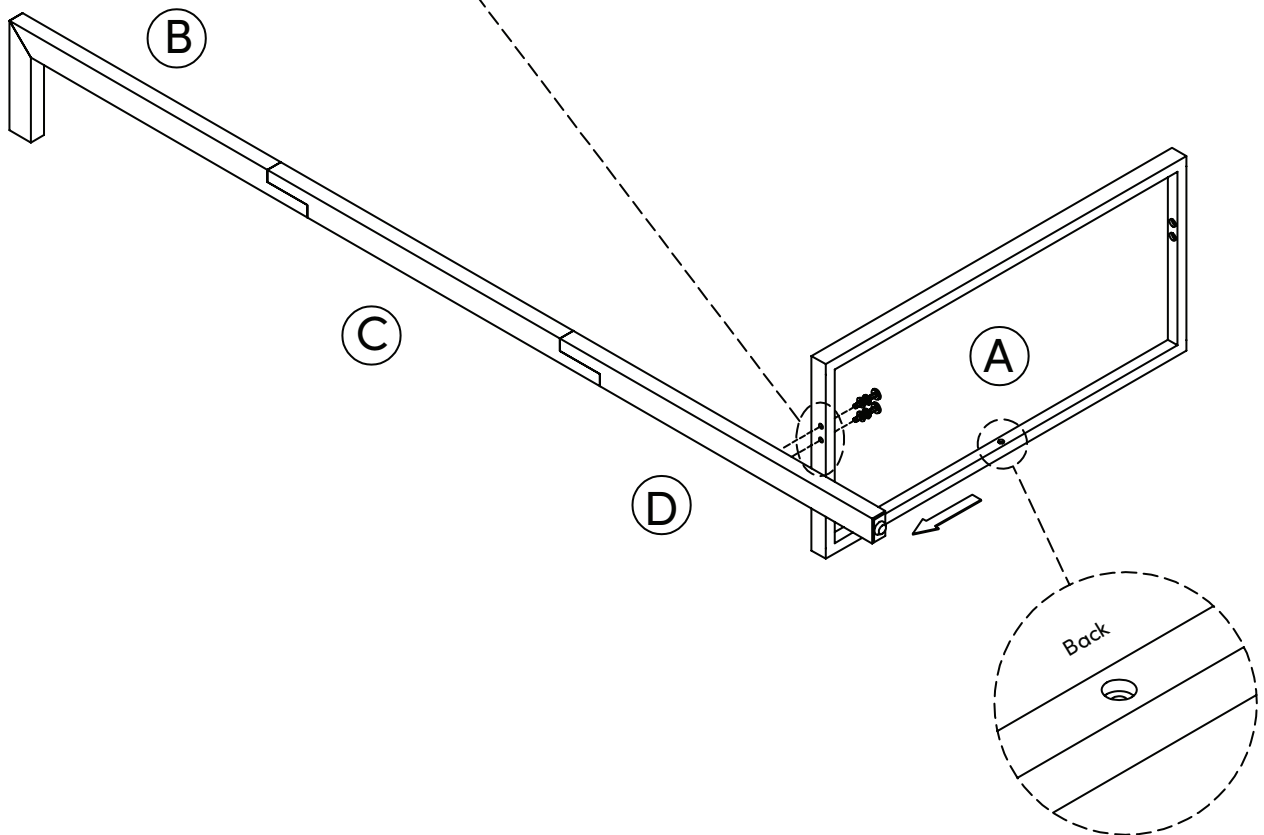


# Step 2

Secure the Shelf Panel (A) to the Bottom Vertical Support (D) by sliding a Spring Washer (2) and Flat Washer (3) onto a  $\text{Ø } \frac{1}{4}'' \times 35\text{mm}$  Bolt (1) and then tightening the bolt with an Allen Key (4). Repeat twice.

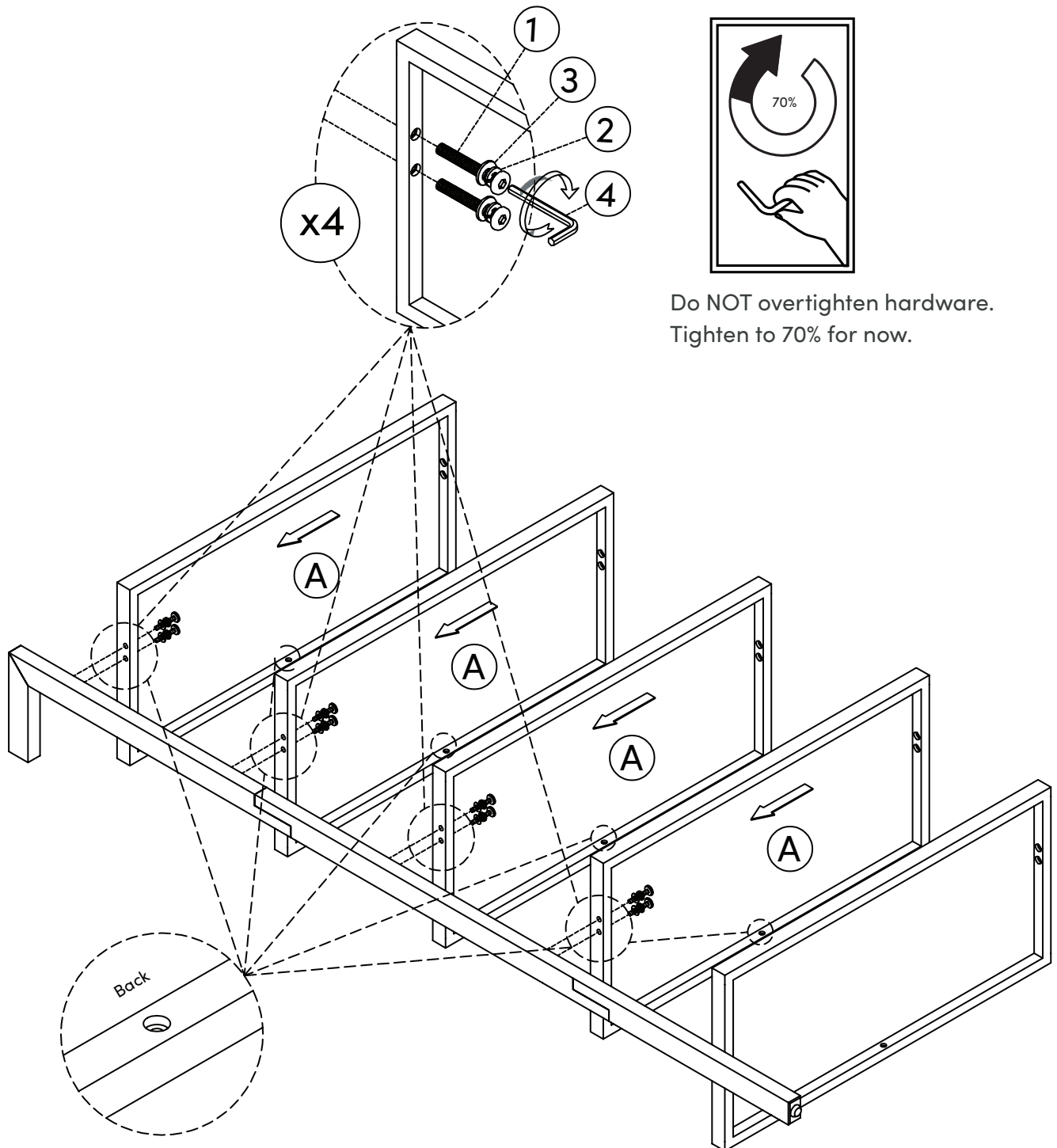


Do NOT overtighten hardware.  
Tighten to 70% for now.



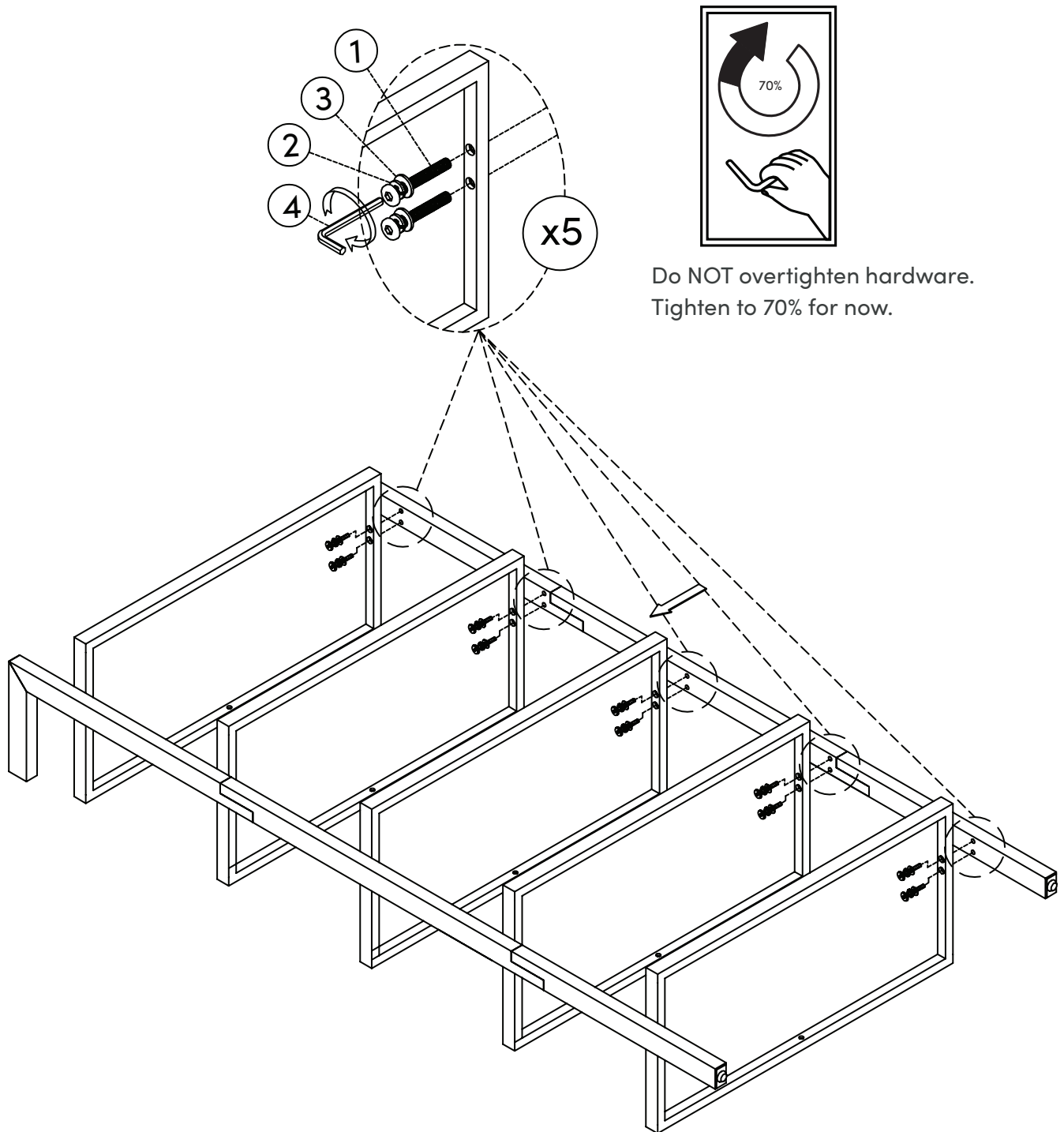
# Step 3

Repeat with the other four Shelf Panels (A).



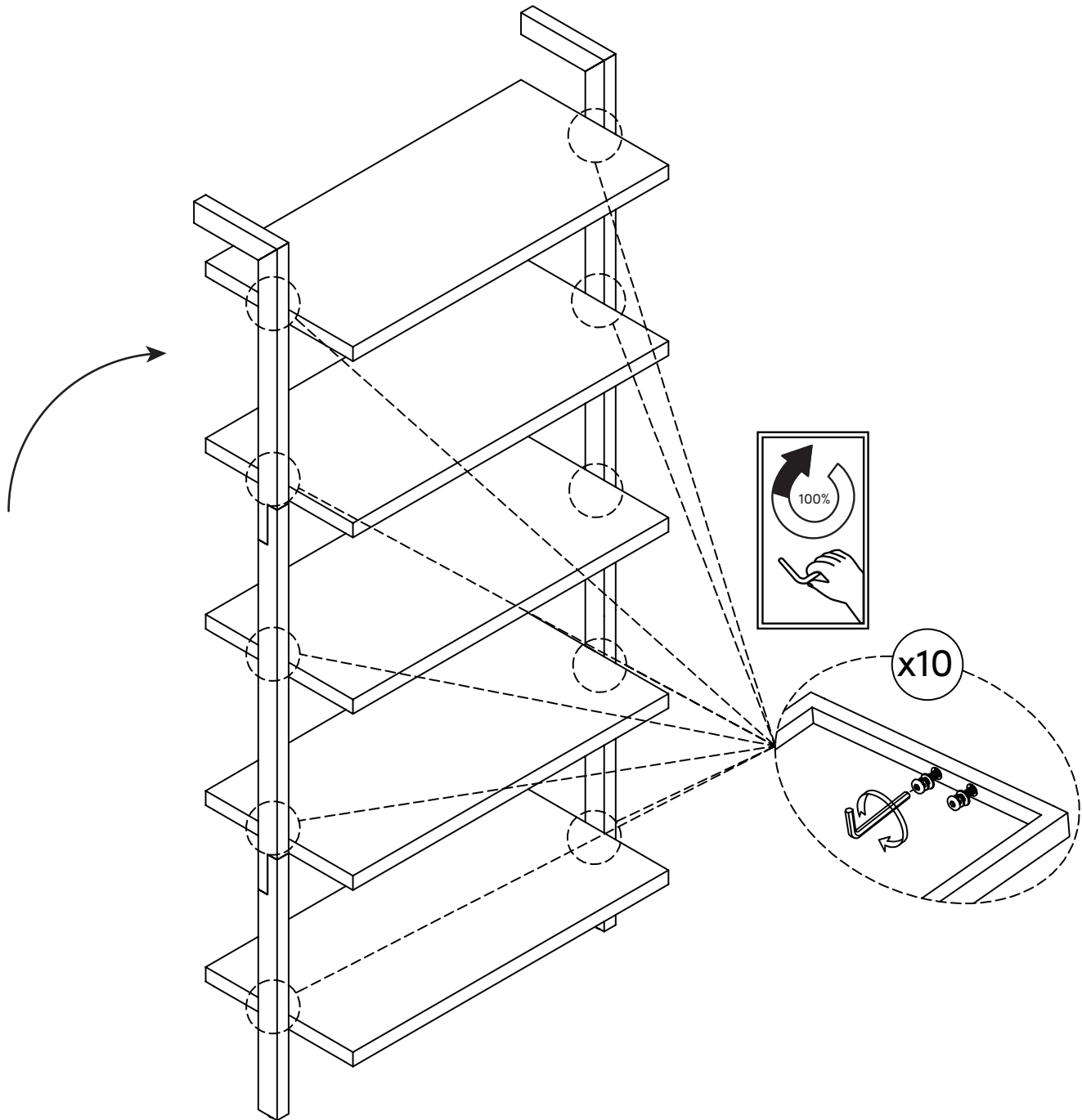
# Step 4

Time to attach the other vertical support to the shelf panels! You're a pro by now!



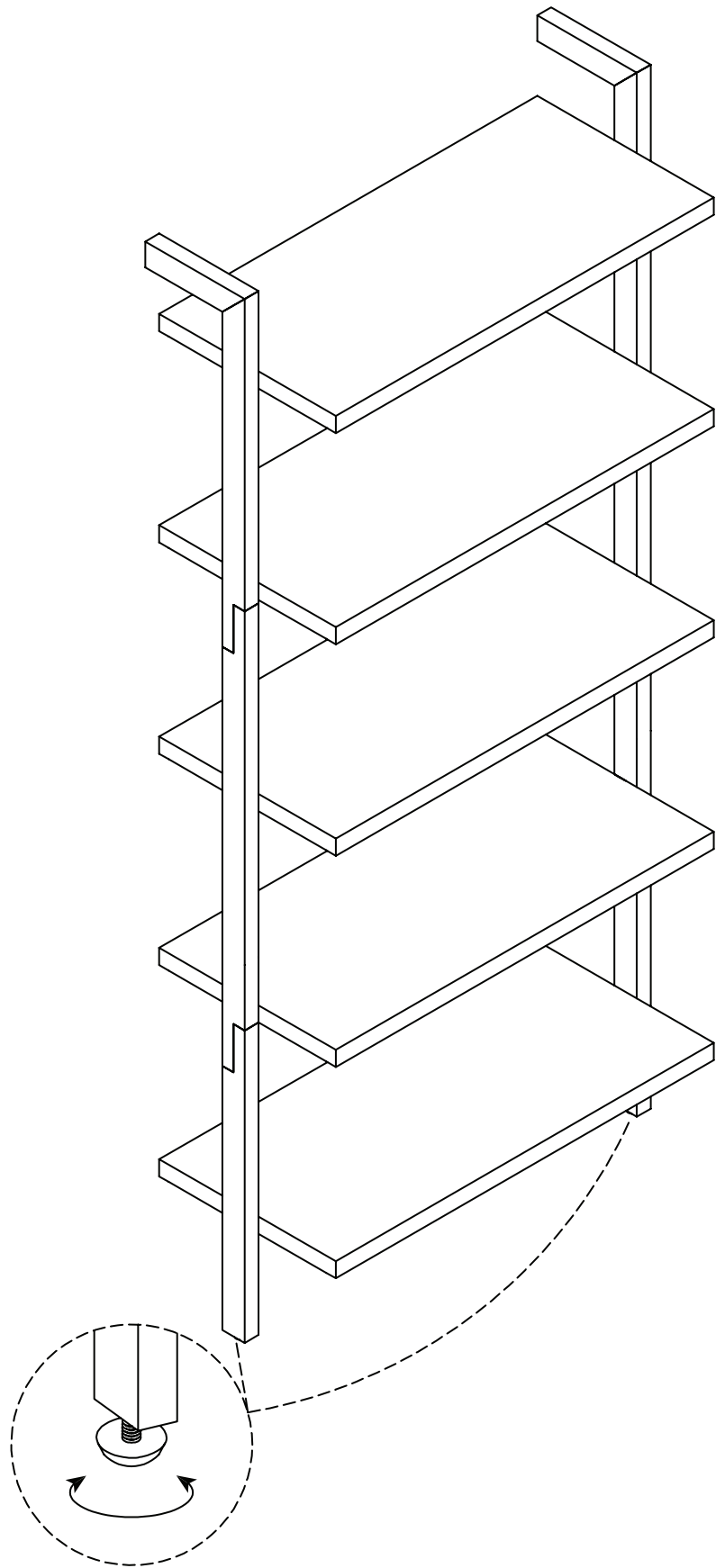
# Step 5

Carefully flip the bookshelf over and tighten all of the screws to 100%.



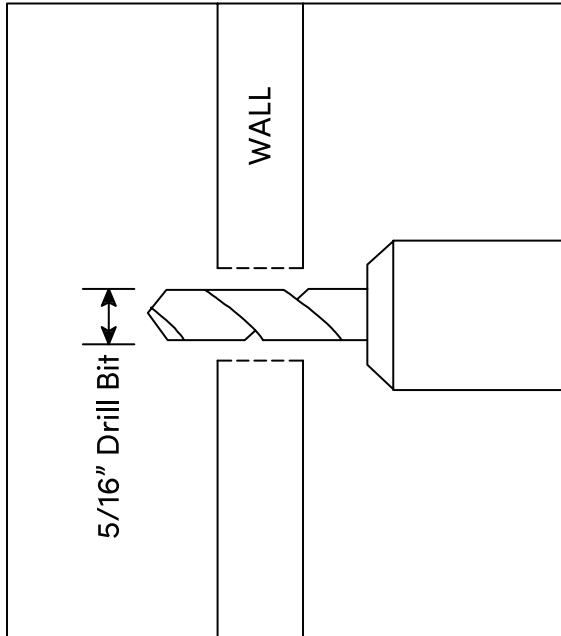
# Step 6

Wobbly or unlevel? Adjust the bookshelf feet until stable so your precious decor won't slide off!

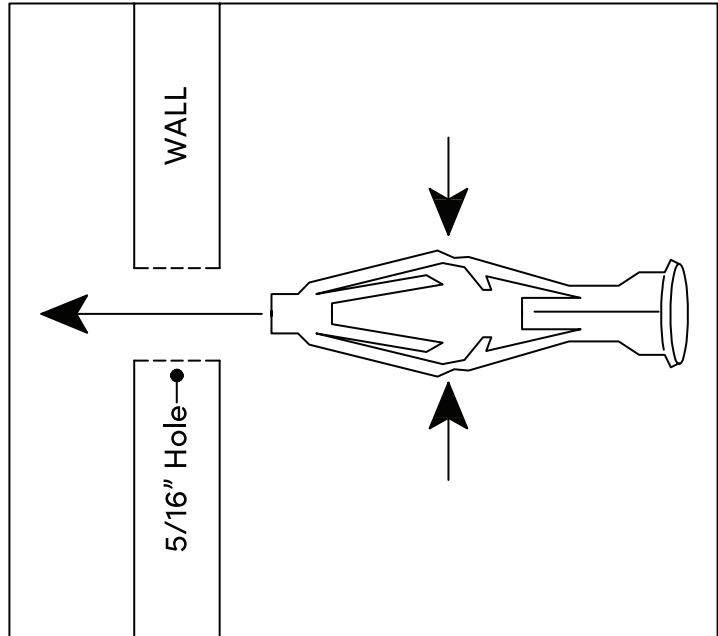


Wobbly or unlevel?  
Adjust feet until stable!

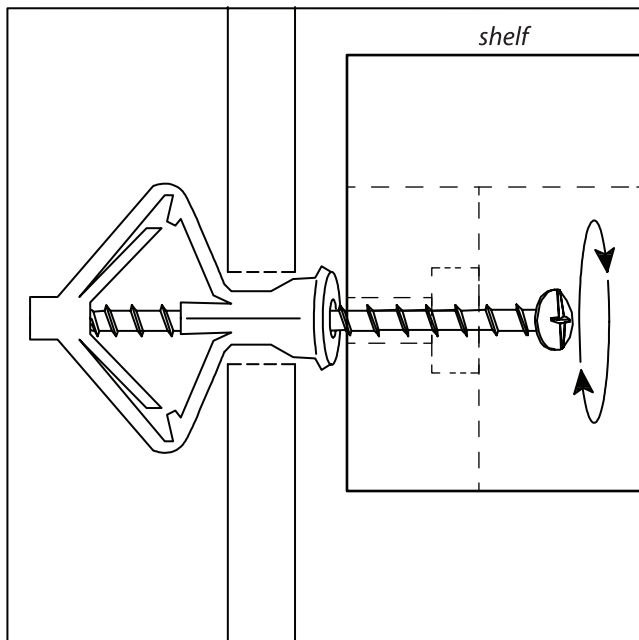
# How to use Drywall Anchors



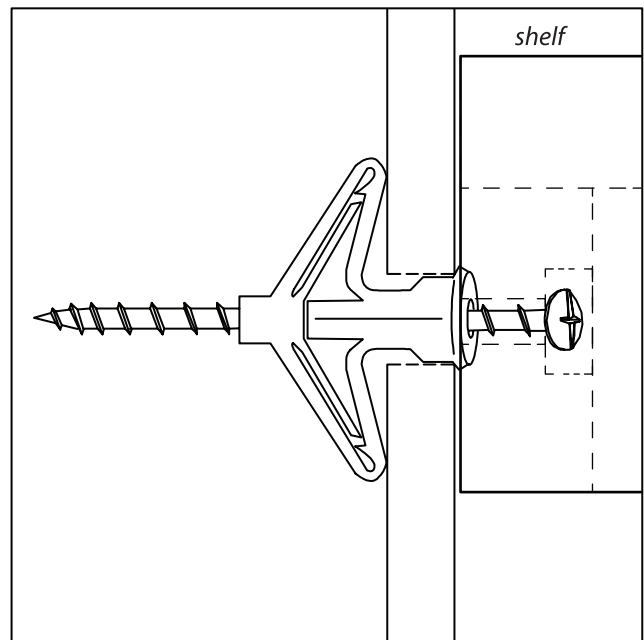
1. Drill hole with 5/16" bit.



2. Pinch and insert.



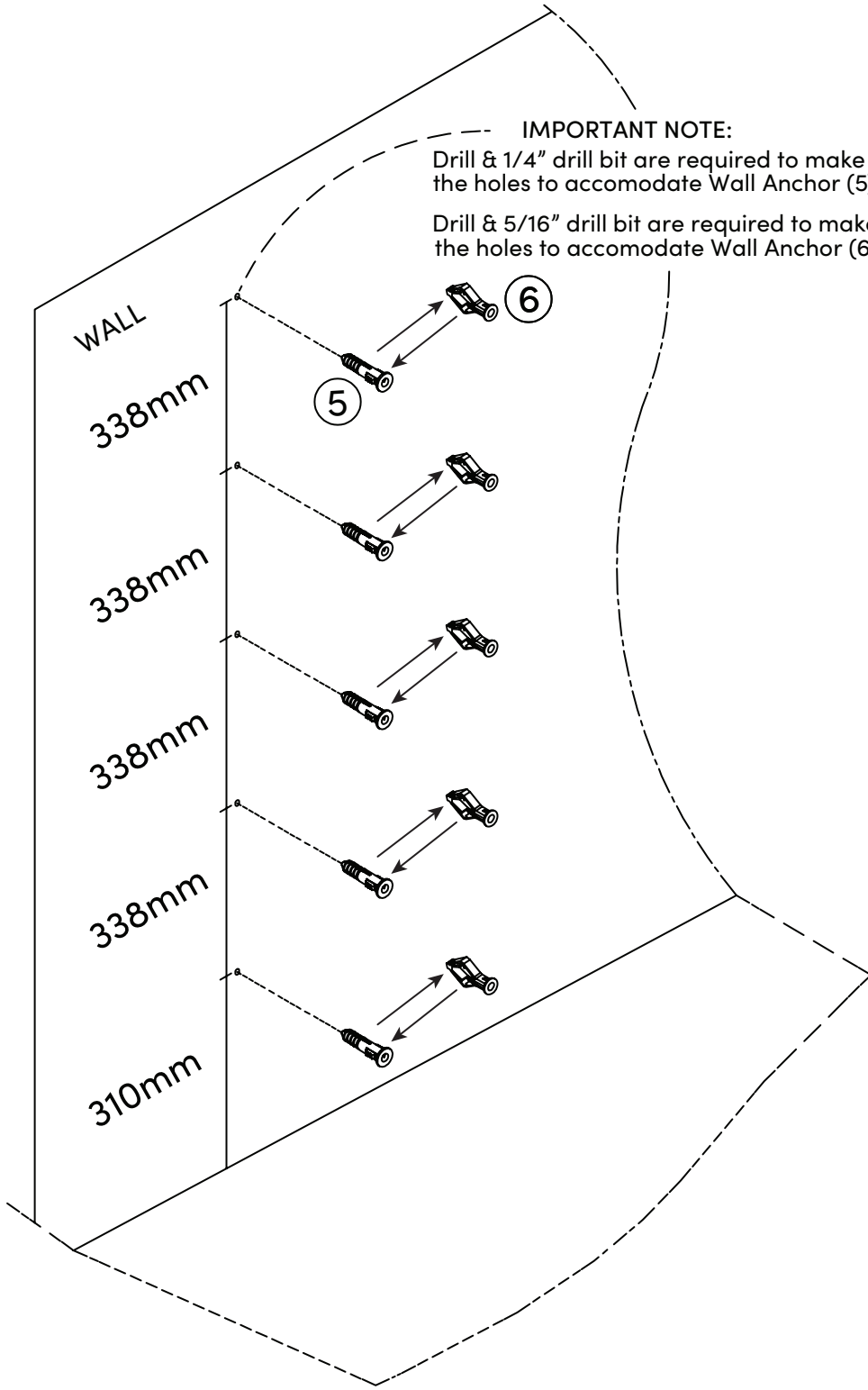
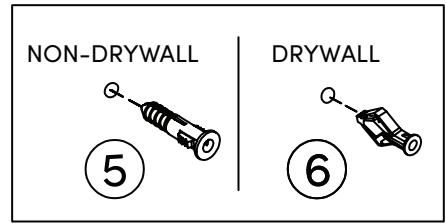
3. Begin tightening.



4. Anchor is secure when screw is tightened to 100%

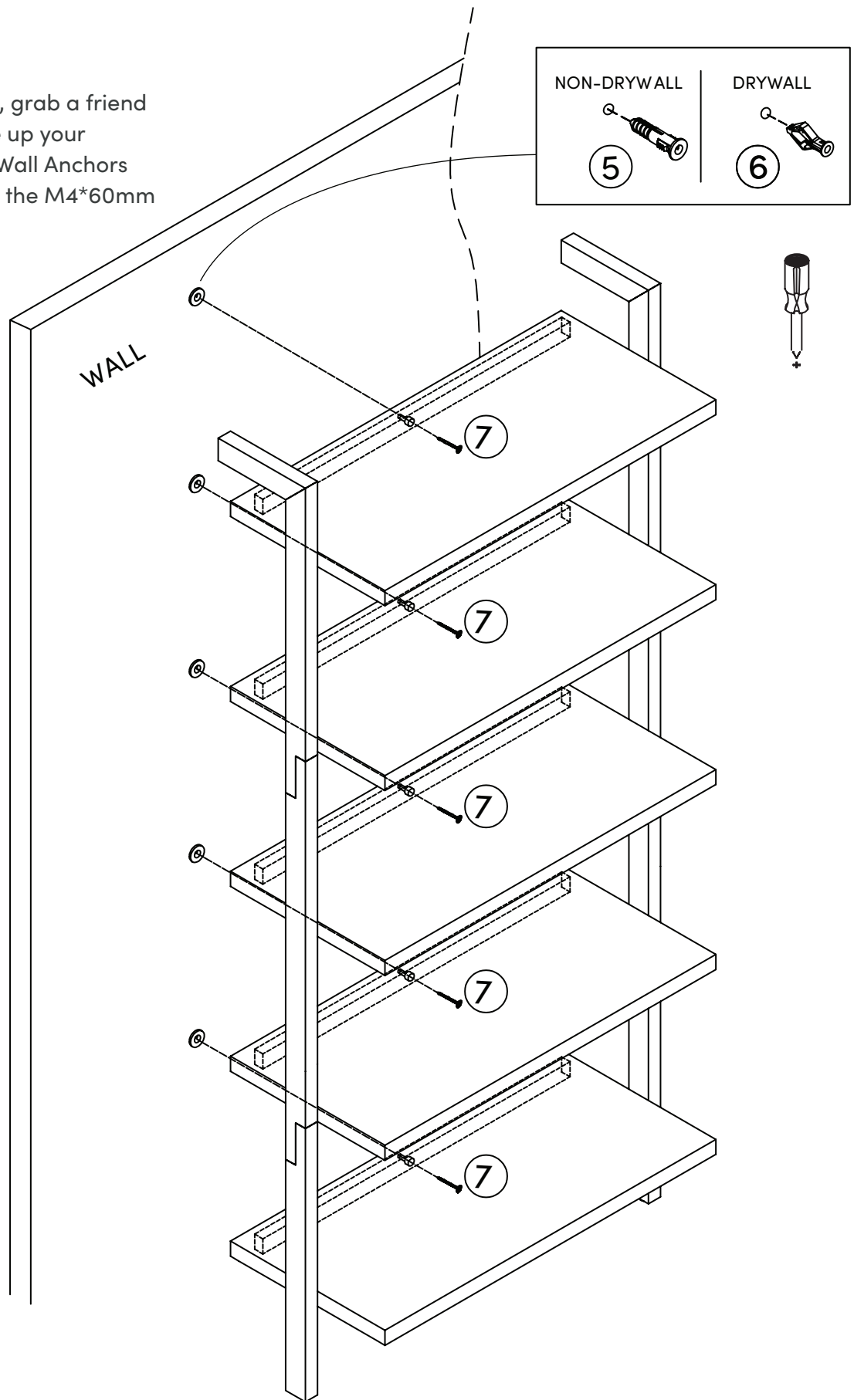
# Step 7

Safety first! Drill five 1/4" holes 338mm apart. Position the bottom Anchor 310mm from the ground. Insert the Wall Anchors (6).



# Step 8

Last but not least, grab a friend and carefully line up your bookshelf to the Wall Anchors and secure using the M4\*60mm Screws (7).



# No heartburn, when we handle the return

Give us a call **1-866-619-1004** or shoot us a message at **help@nathanjames.com** we will issue you a free replacement with **zero hassle**.

## Our way



Give us a call



Replacement



You

## Their way



Re-package item



Schedule pick up



Track package



Replacement



You

We really don't want you to go through the hassle of re-packaging your item and sending it back, because let's be honest...nobody has time for that.

# Safety first, fun later

We want your product to last as long as possible, so we recommend that you tighten the screws 2 weeks after assembly and for added safety check the tightness of all screws every 2 months.

For proper care and treatment, please check our website at [NathanJames.com/products](http://NathanJames.com/products)

## Safe use of this product starts with you.

Use this product responsibly with the primary concern for your safety. Follow assembly instructions carefully and inspect product upon receipt and each use.

Nathan James and its parent companies cannot be held legally responsible for any injuries or death resulted from failure to follow instructions or improper use of this product.

## Do not modify the structure of this product in any way.

Our products have been tested to meet specific safety measures as they were originally intended to be sold. Any modifications will present the risk of creating significant safety issues which NJ will not be responsible for.

## Proper use

- DO NOT** use for commercial purposes
- DO NOT** frolic on bookshelf
- DO NOT** use bookshelf as foot stool
- DO NOT** leave spilled liquid on shelves
- DO NOT** use bookshelf if damaged
- DO NOT** make temporary repairs
- DO NOT** use outdoors

# We are only in business if you're happy

For starters, thanks for being you.

☎ Toll-free at 1-866-619-1004

✉ Help@nathanjames.com

🌐 NathanJames.com/help

We do our best to ensure your furniture arrives without any problems, but occasionally mistakes happen—as humans we are imperfect beings. In the event that a part is damaged or missing, we will be more than happy to provide you with replacement part(s) for free.

## Warranty

This product comes with a lifetime warranty from the date of purchase. Please use your phone to scan the QR code to register your product or visit <https://goo.gl/i9dk3q>



### Did we do alright? Please spread the love!

If you are happy with your product, tell your friends and family about us or even better leave us a review online. Spreading the word gives us the opportunity to make more people happy and keep our prices low for your next purchase.

*Brooklyn Burdon*

Founder, Nathan James