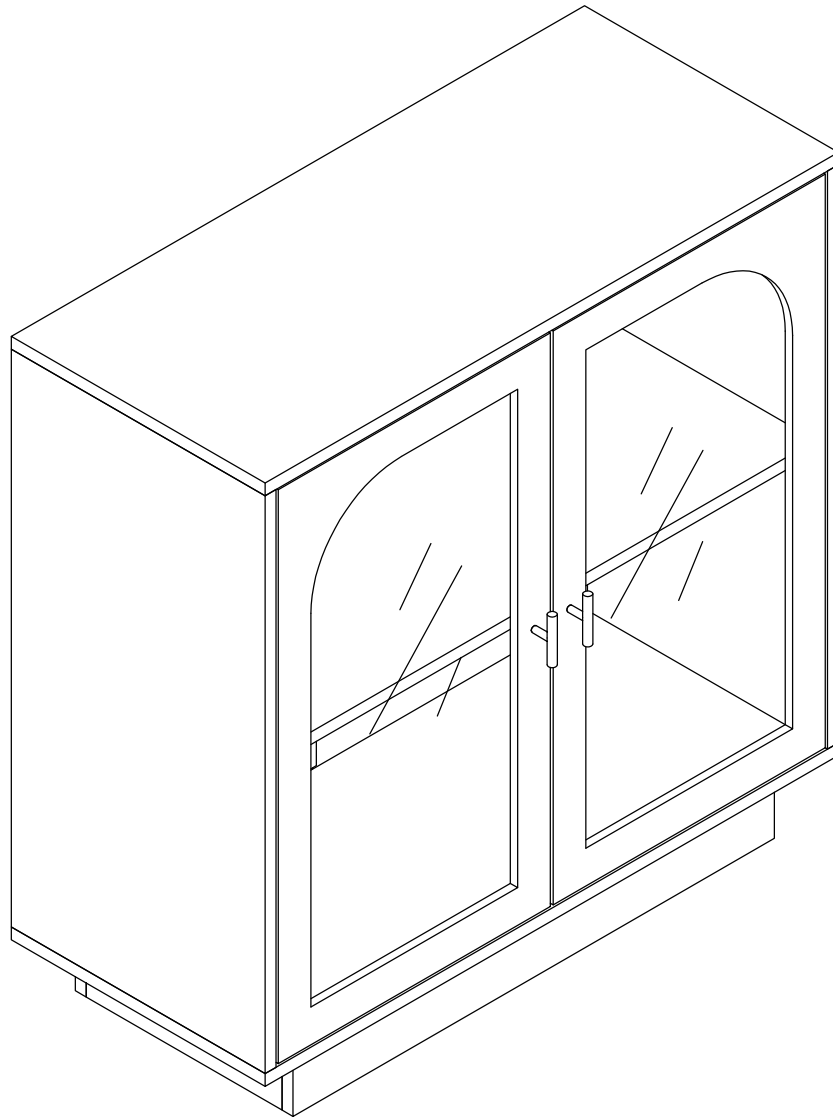


# Installation Instruction



Product name

---

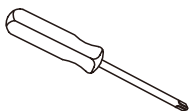
**2 Door Cabinet**

Ver.1.0 20230815

# Assembling

## What you need

- Use the packaging carton as a working surface to prevent product damage during assembly
- Phillips head screwdriver



## Weight Limitation



60

lbs table top

30

lbs per shelf

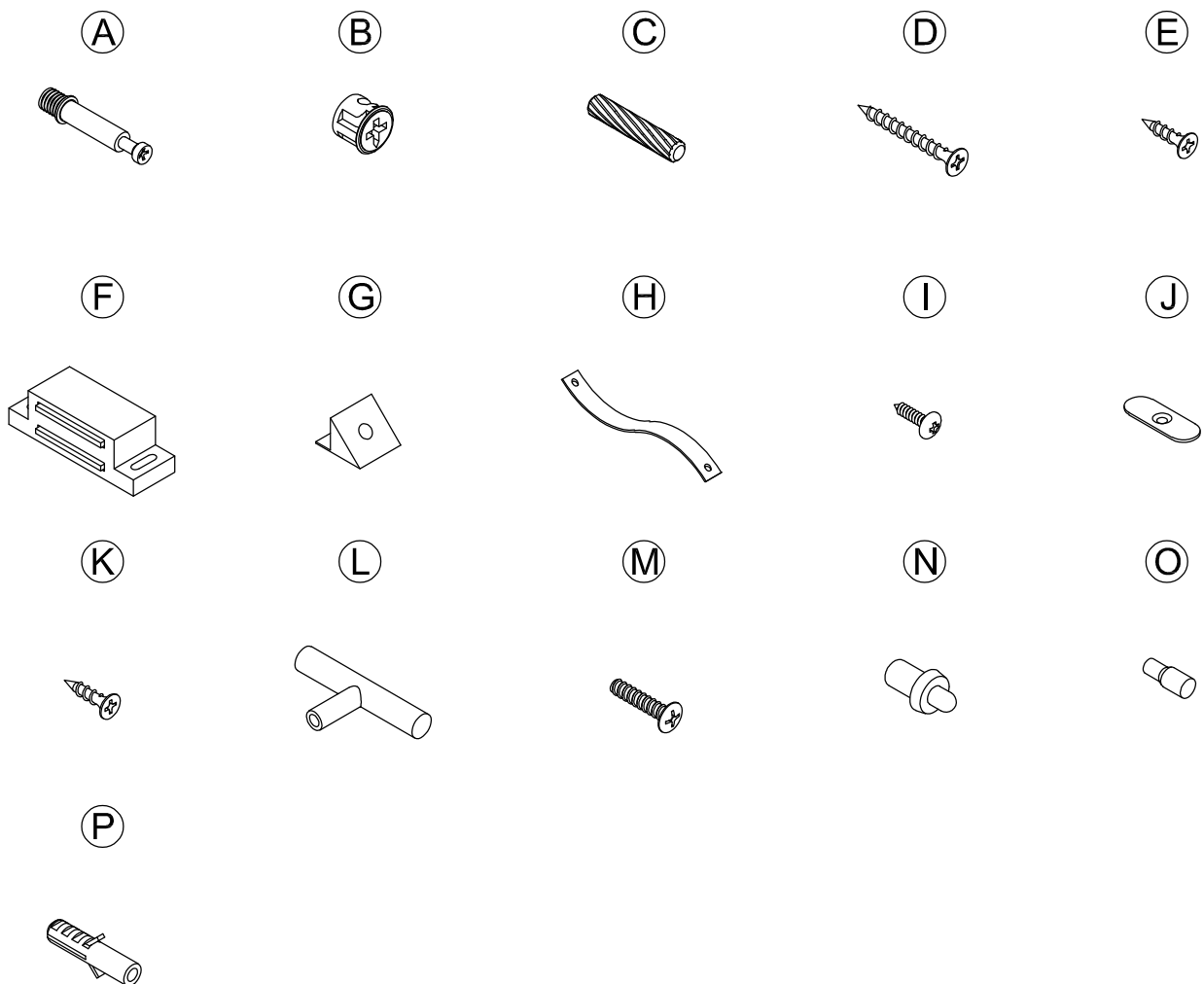


2 PERSONS

# What's included

Code	Description	Qty
A	Cam Bolt M6X35MM	20
B	Cam Lock 15X10MM	20
C	Wooden Dowel M8X30MM	20
D	Screw M4X35MM	8
E	Screw M3X14MM	12
F	Magnetic Door Catcher	2
G	Plastic corner support	8
H	Nylon Strap	2
I	Screw M4X14MM	2
J	Metal Plate	4
K	Screw M3X12MM	4
L	Handle	2
M	Bolt M4X18MM	2
N	Metal Pin	4
O	Metal Support	4
P	Anchor M6X30MM	2

# The Hardwares



## IMPORTANT:

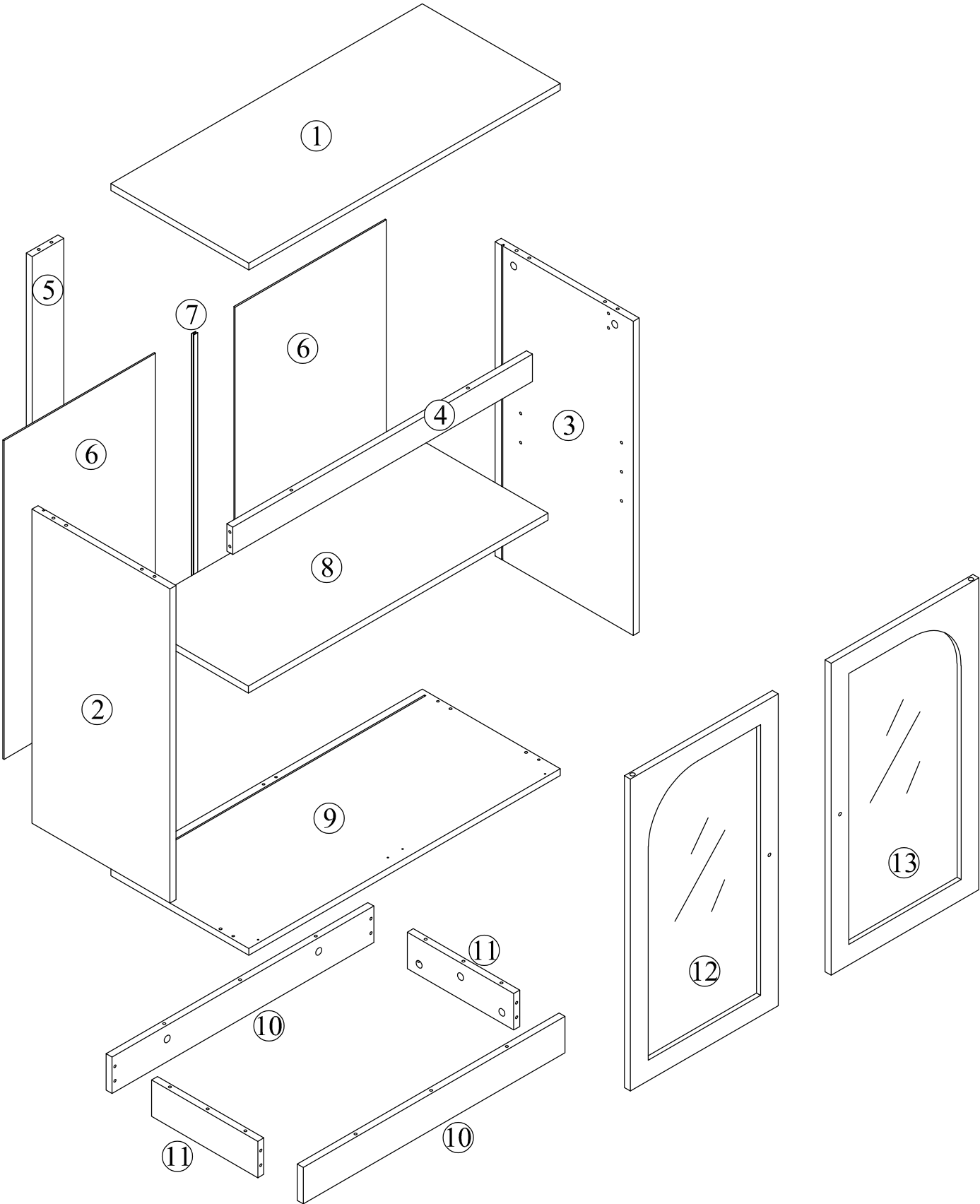
1. Do not tighten bolts / screws completely until all bolts / screws are lined up and inserted into holes.
2. Do not over tighten screws and bolts to avoid stripping.
3. Please use hand tools to assemble this product. Do not use power tools.
4. Must need 2 people to assemble this product.



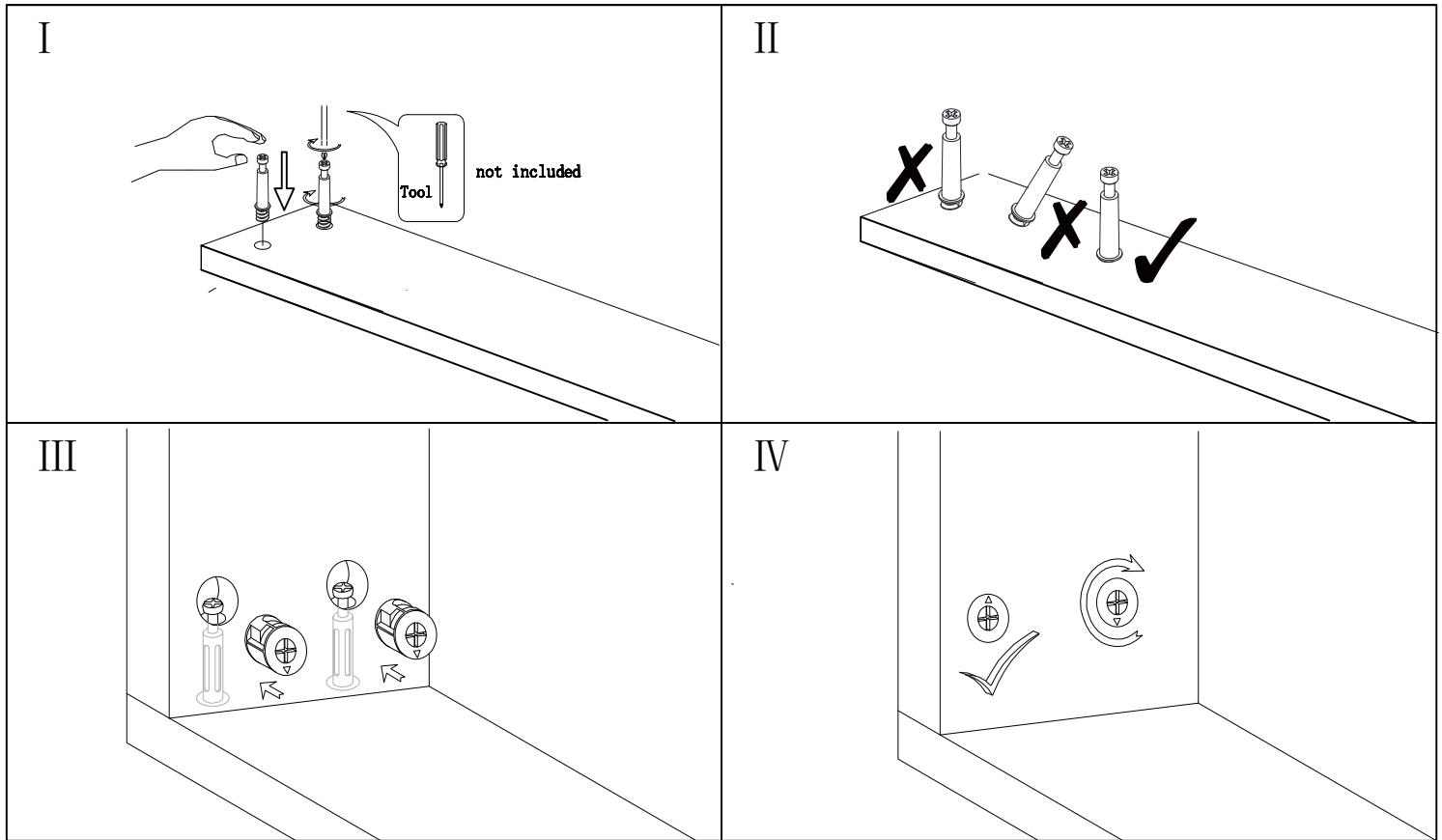
# Included Accessories

<b>Code</b>	<b>Description</b>	<b>Qty</b>
1	Cabinet Top	1
2	Left Side Panel	1
3	Right Side Panel	1
4	Top Stretcher	1
5	Vertical Back Stretcher	1
6	Back Panel	2
7	Plastic Strip	1
8	Shelf	1
9	Bottom Panel	1
10	Bottom Front and Back Panel	2
11	Bottom Side Panel	2
12	Left Door	1
13	Right Door	1

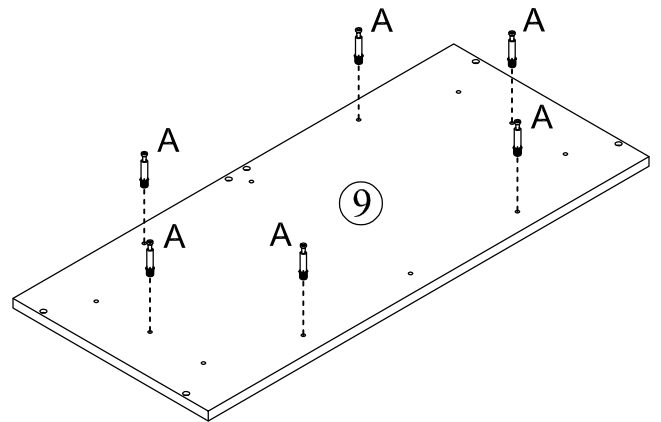
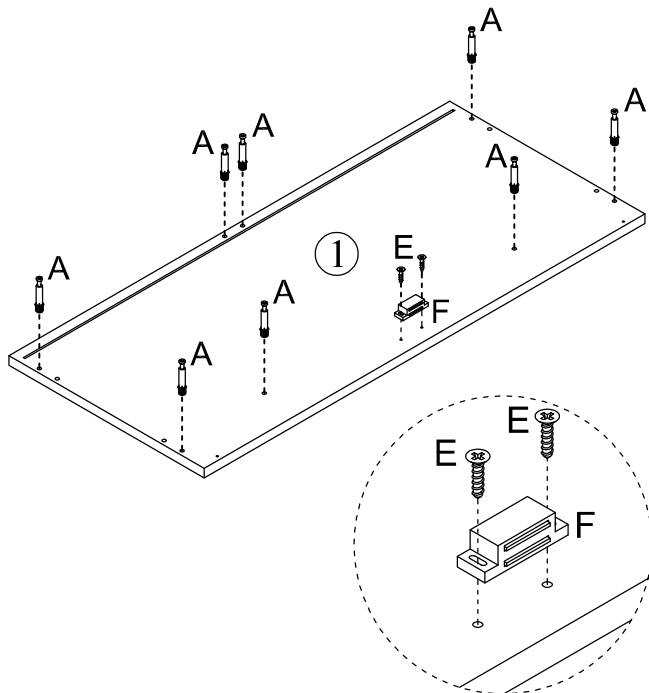
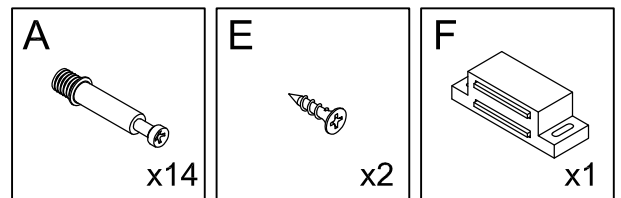
# The Accessoriess



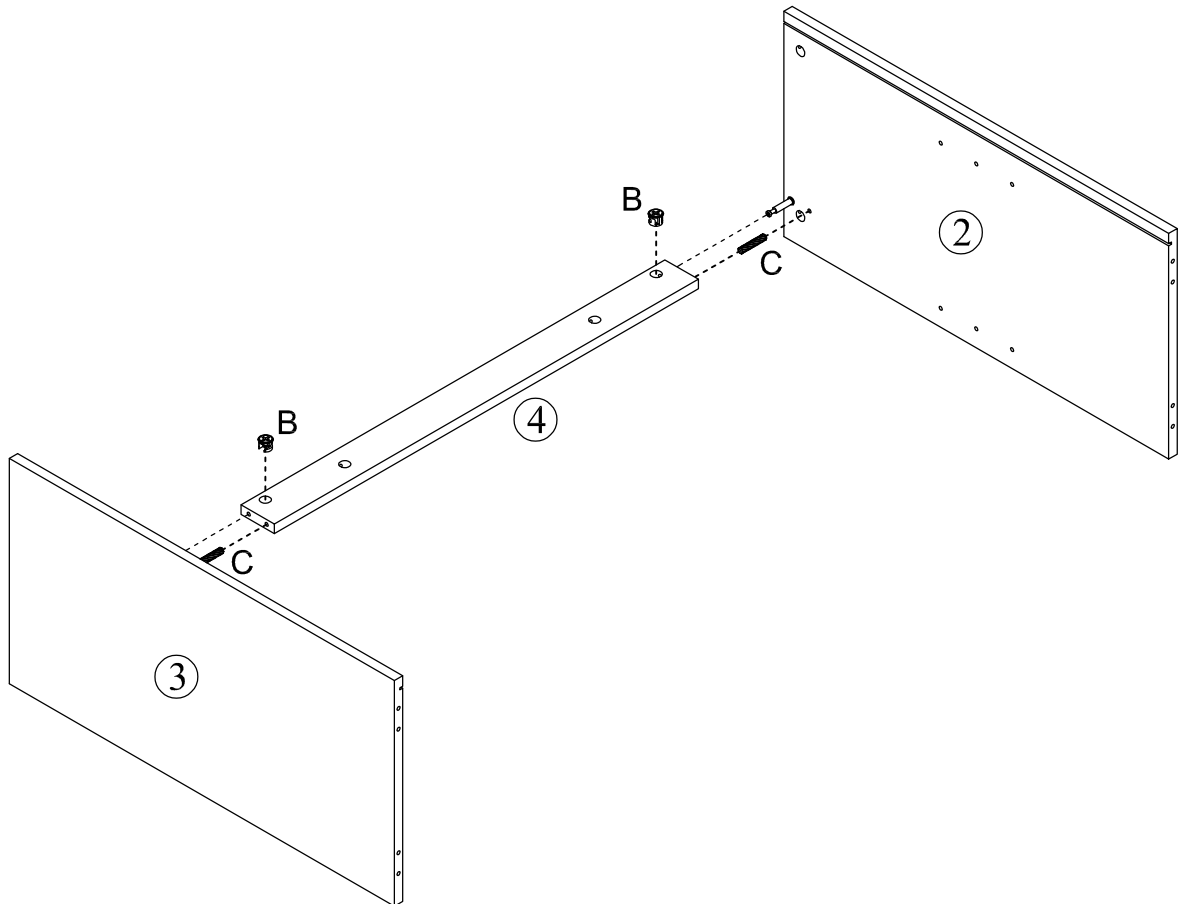
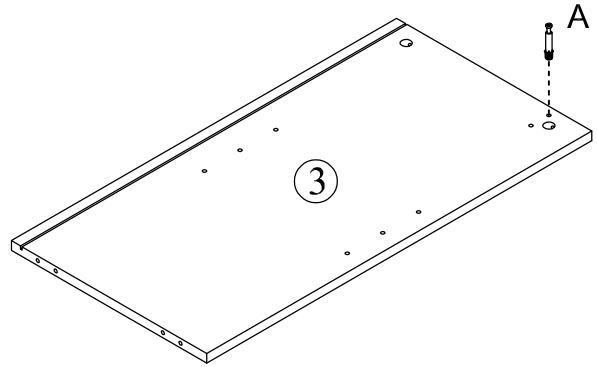
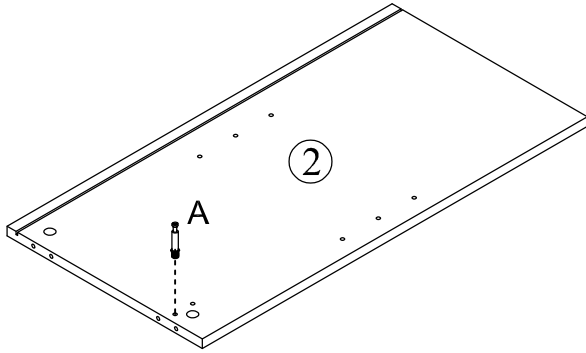
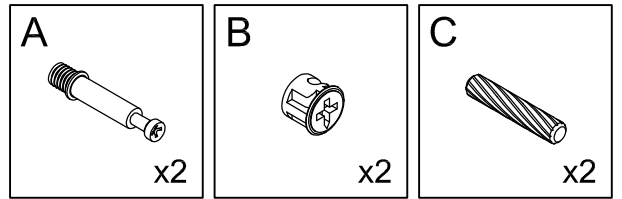
Noted :



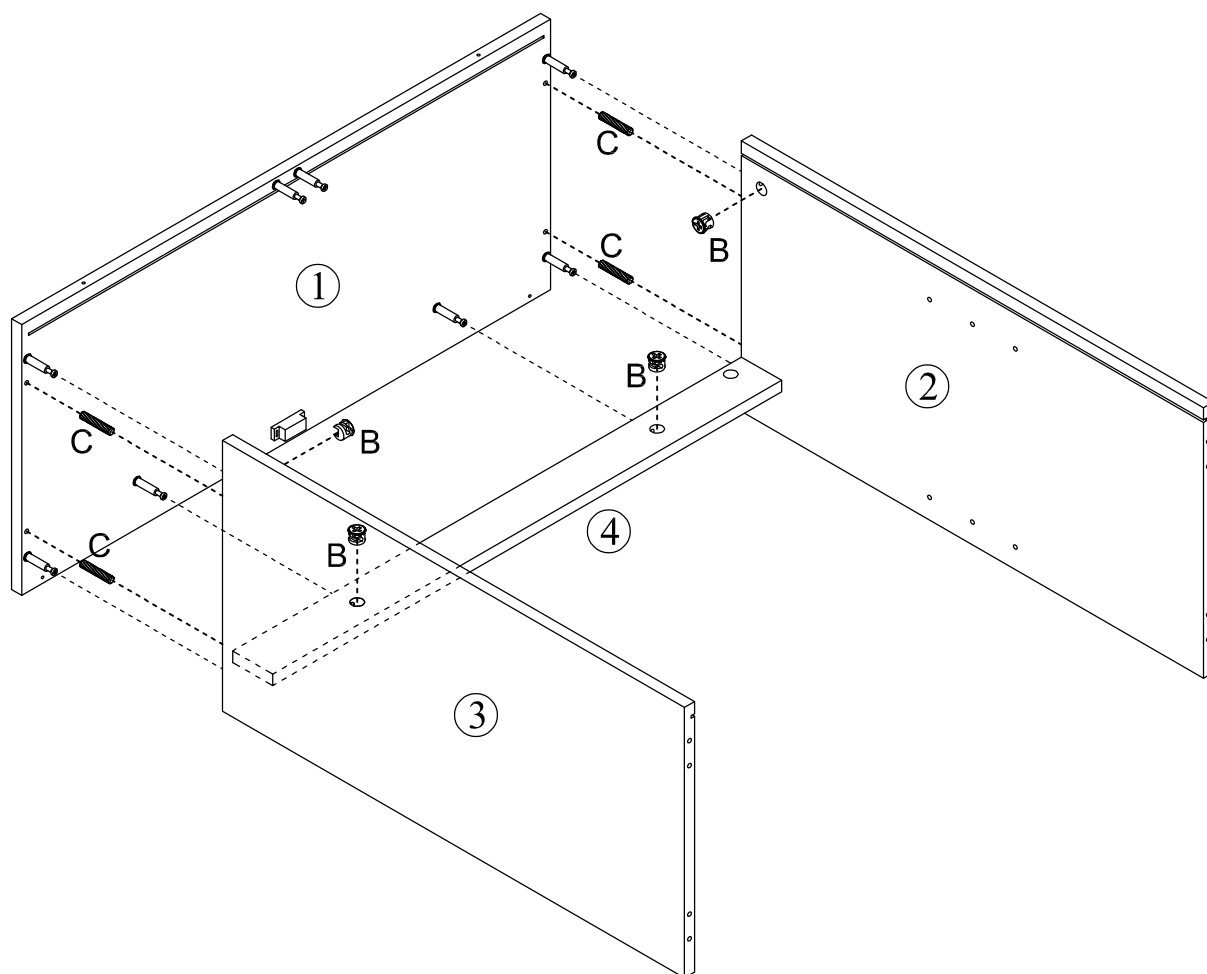
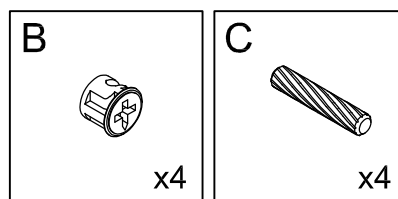
# STEP 1



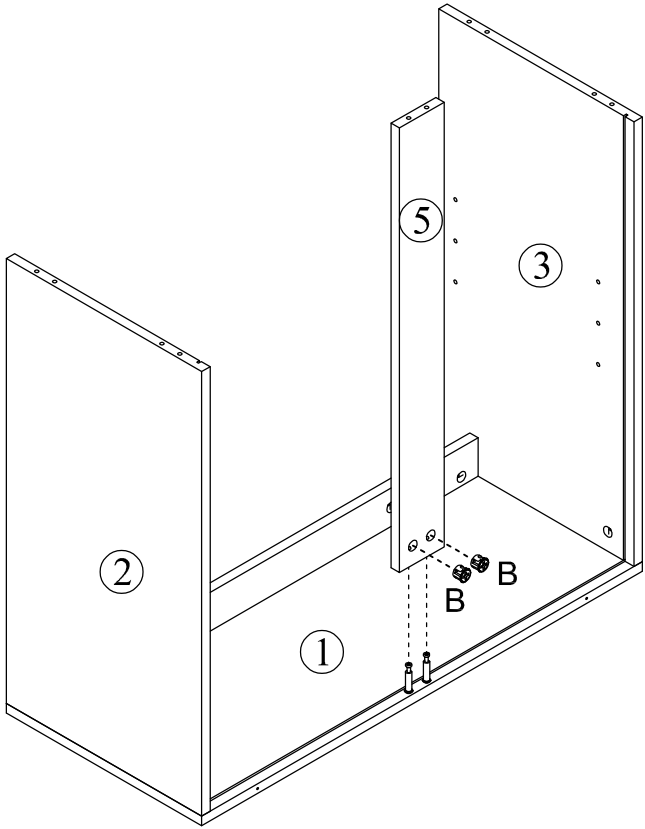
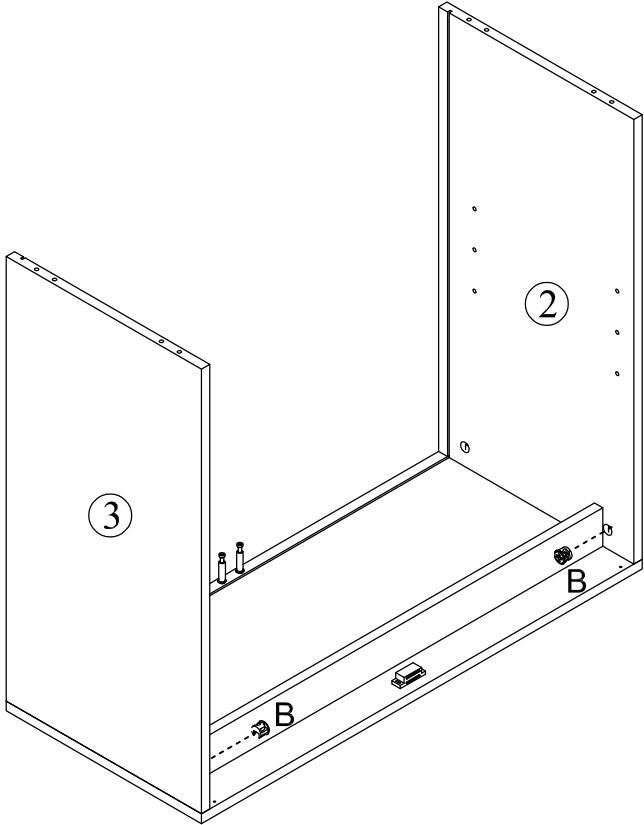
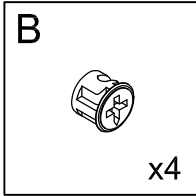
# STEP 2



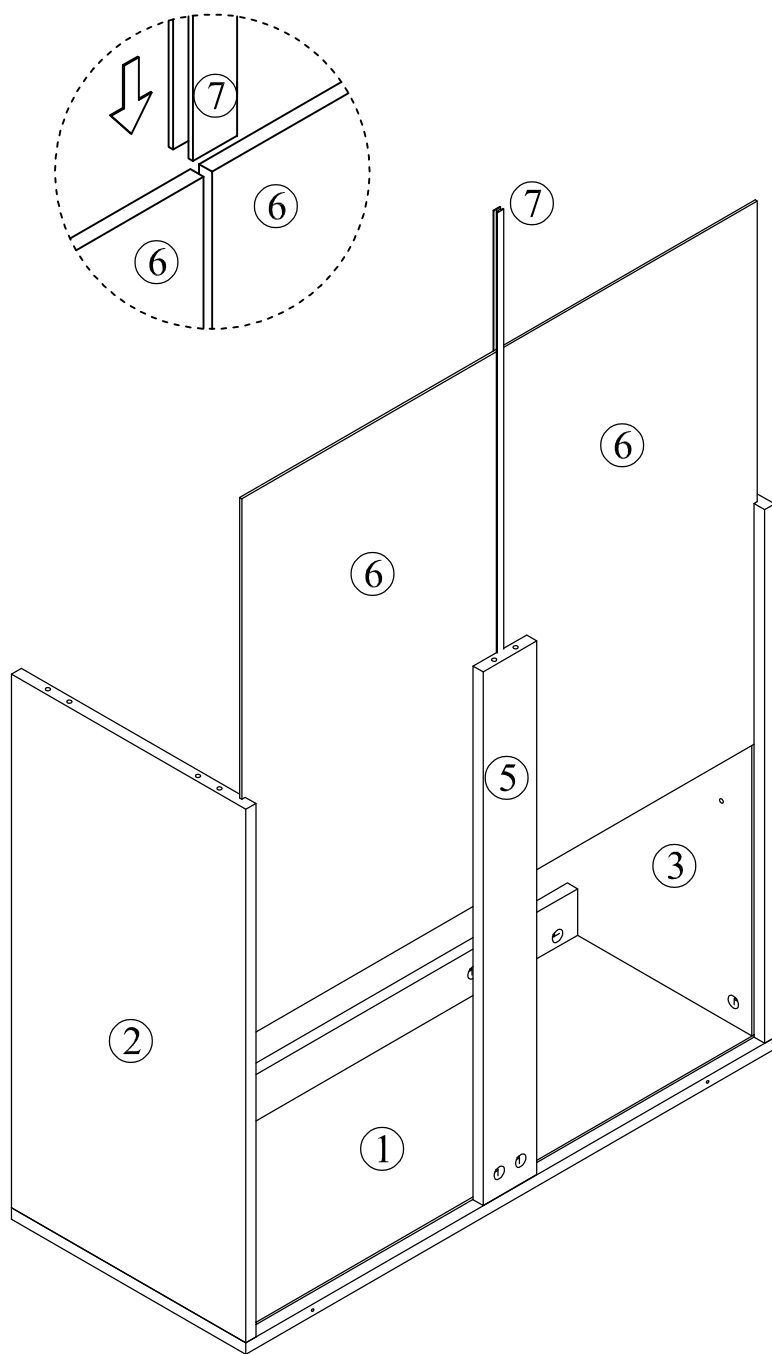
# STEP 3



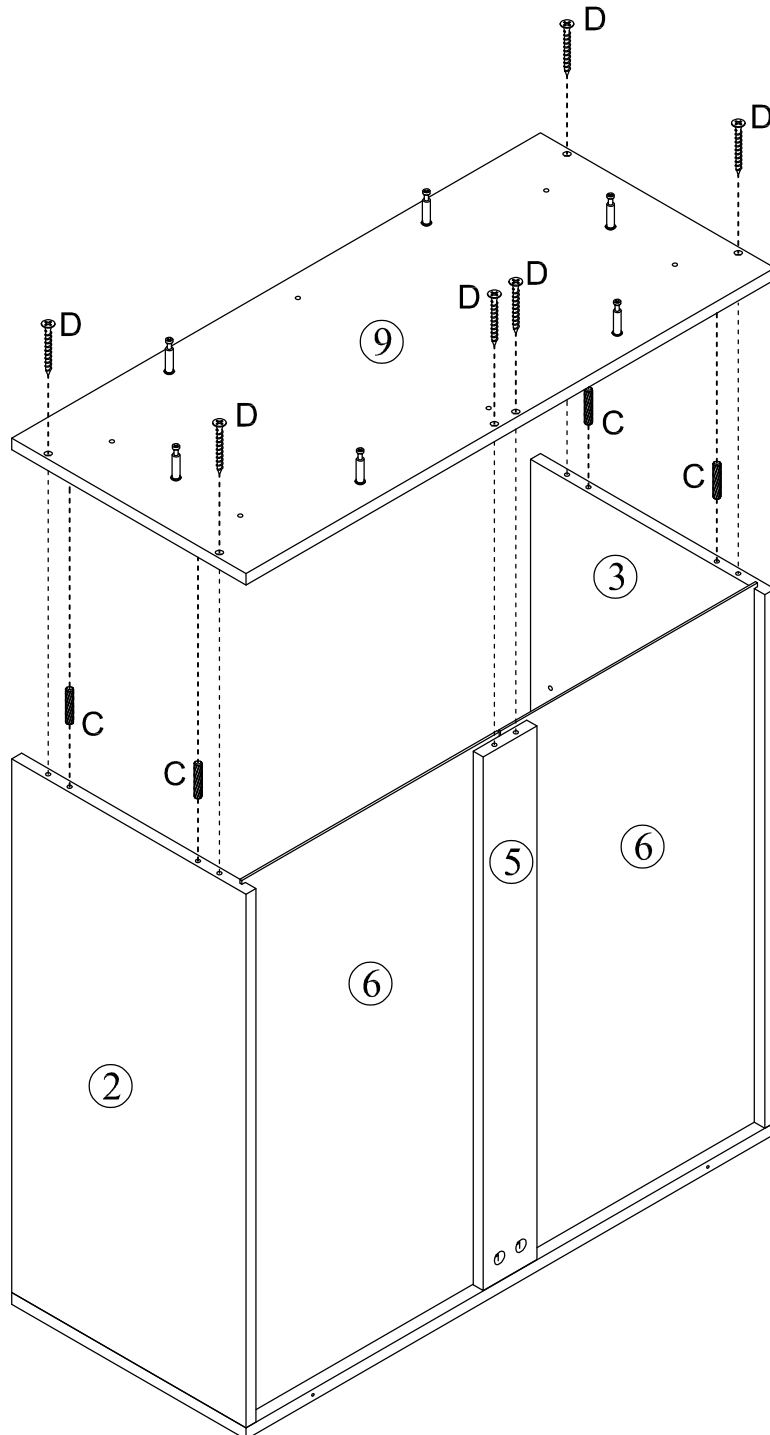
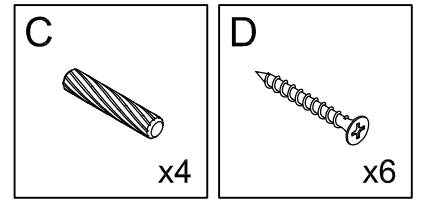
# STEP 4



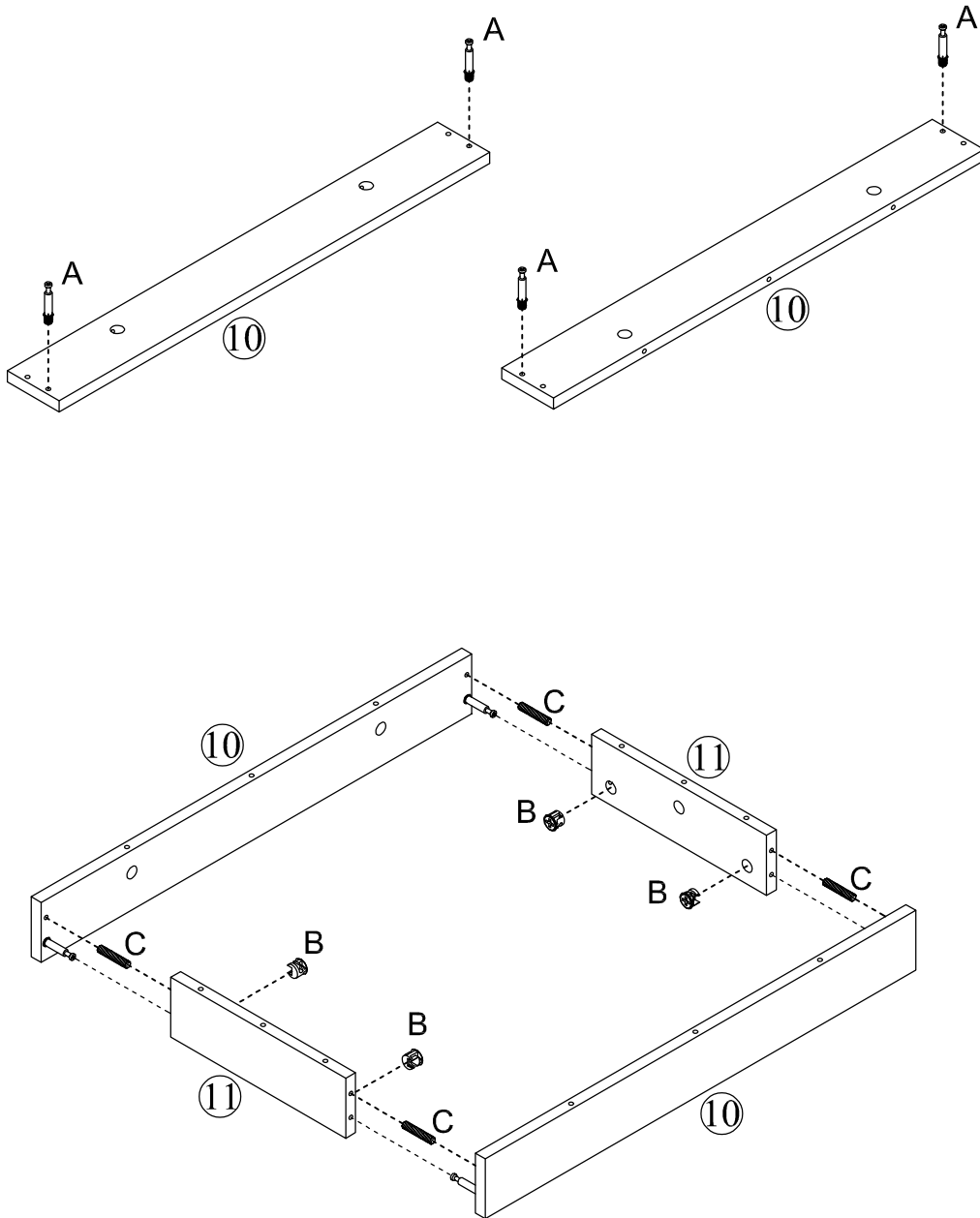
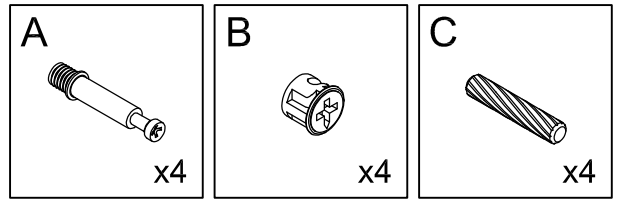
# STEP 5



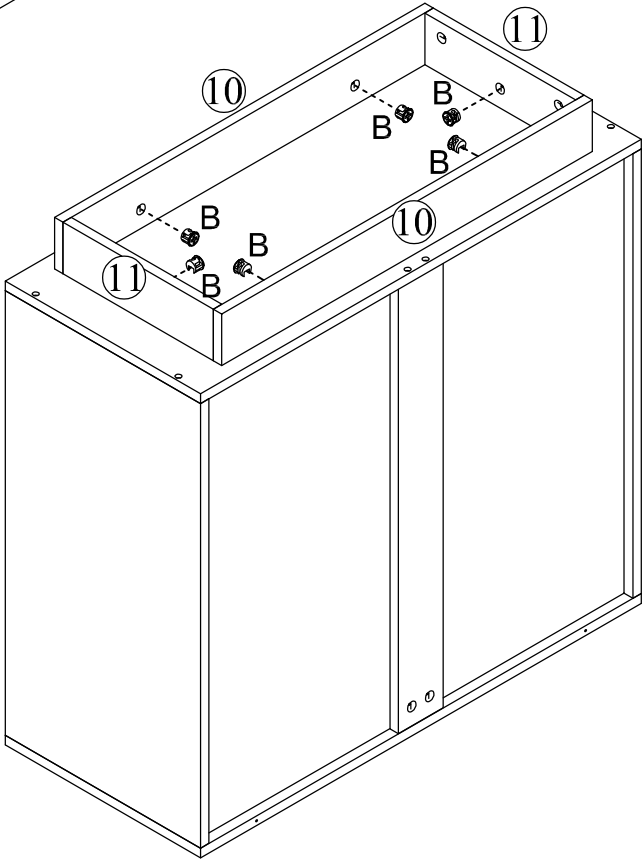
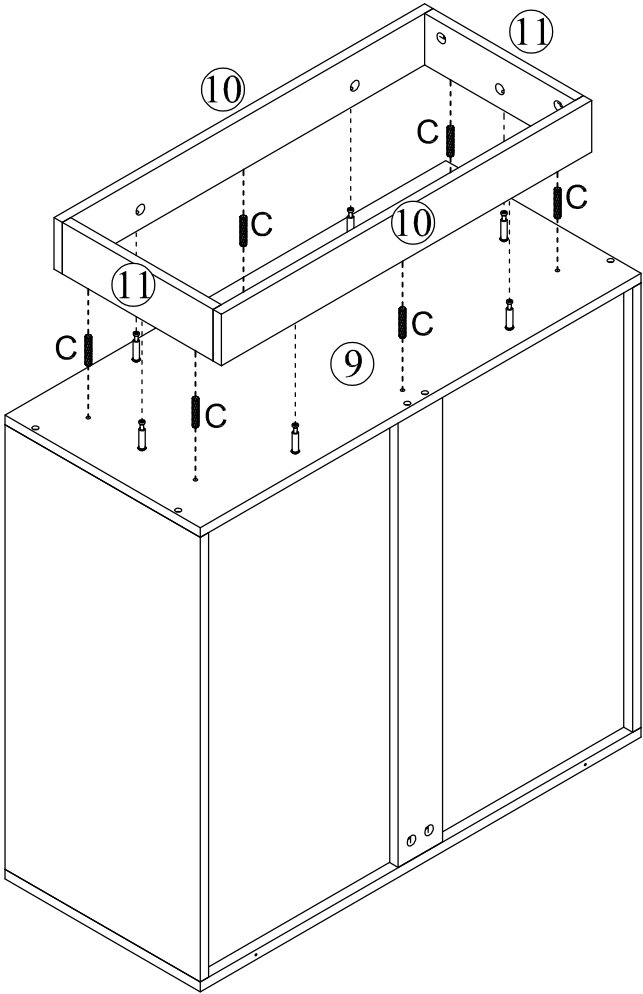
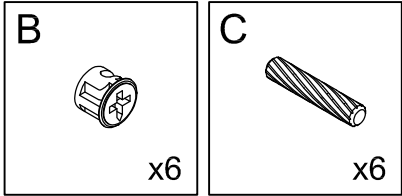
# STEP 6



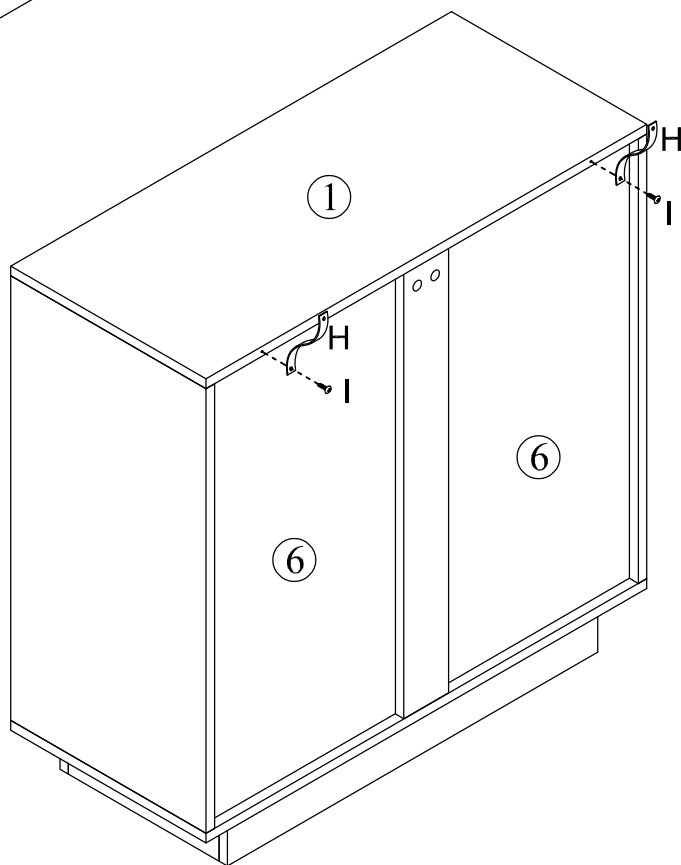
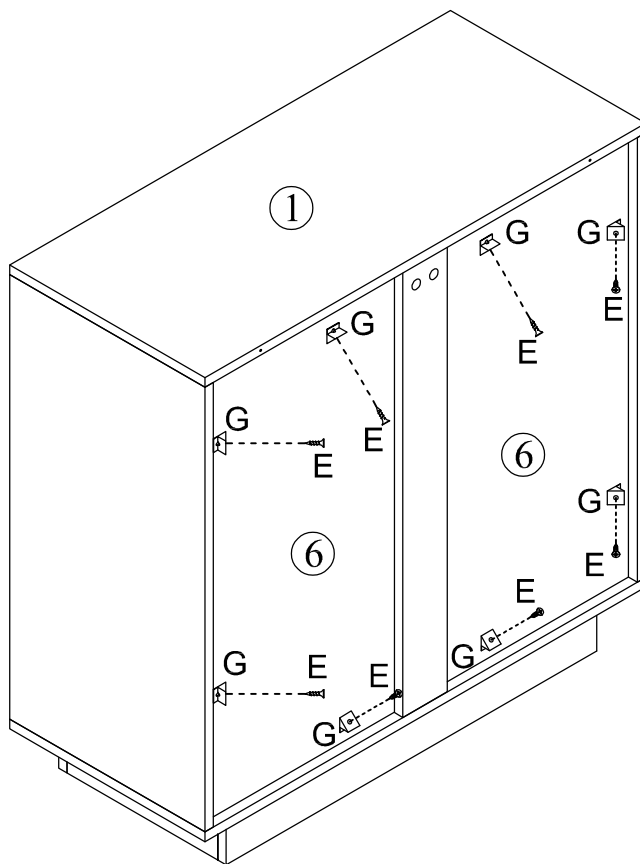
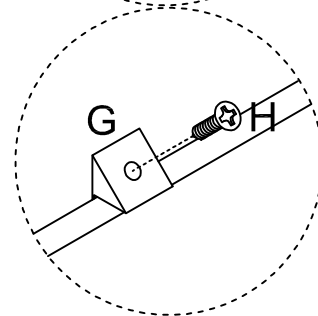
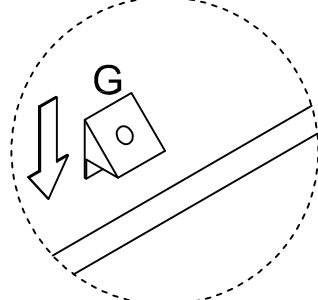
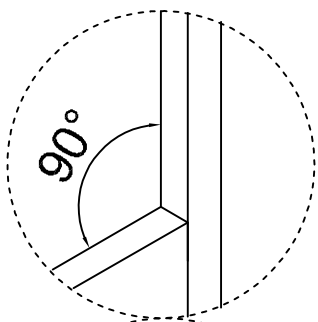
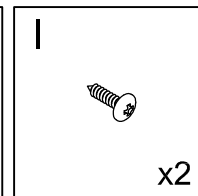
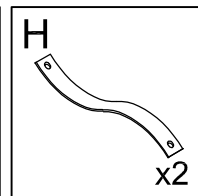
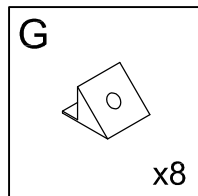
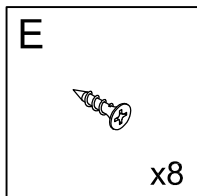
# STEP 7



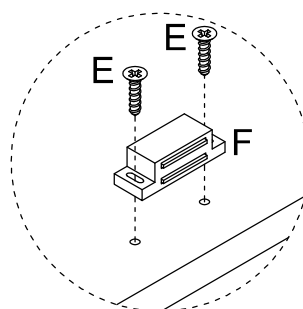
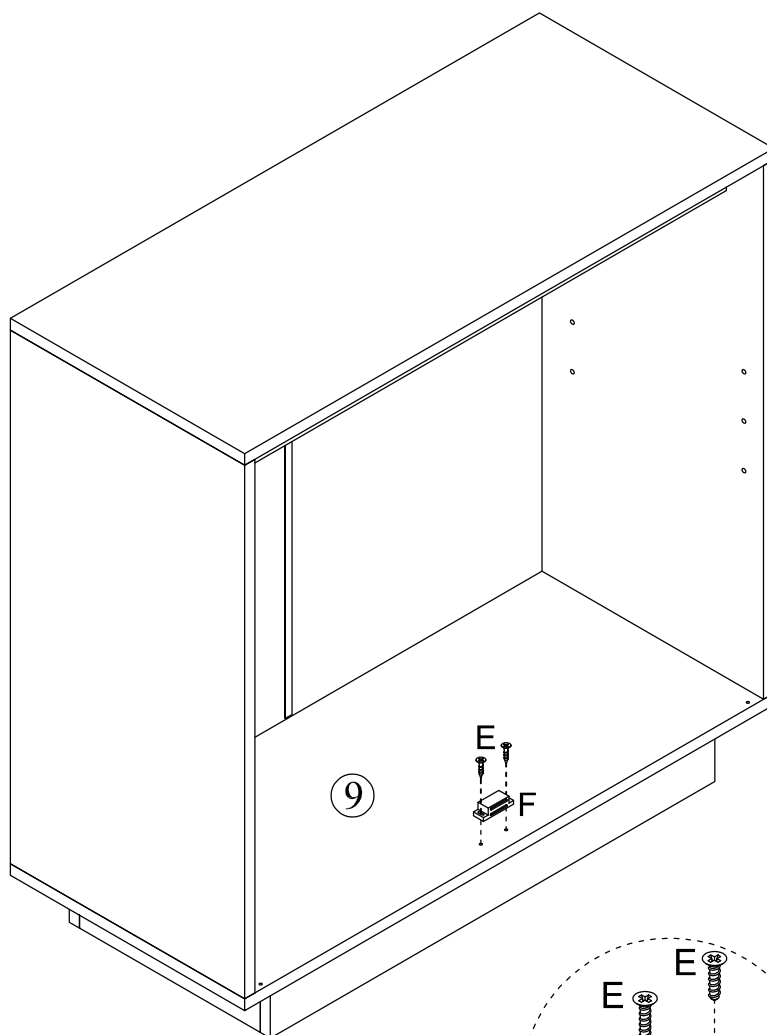
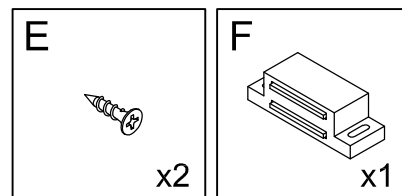
# STEP 8



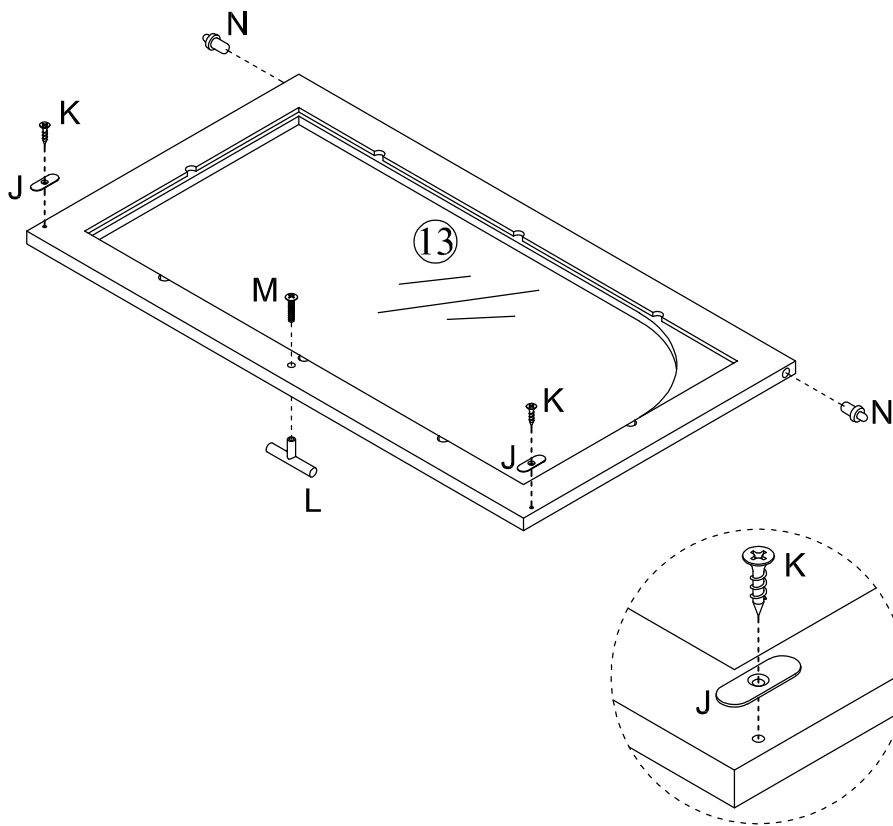
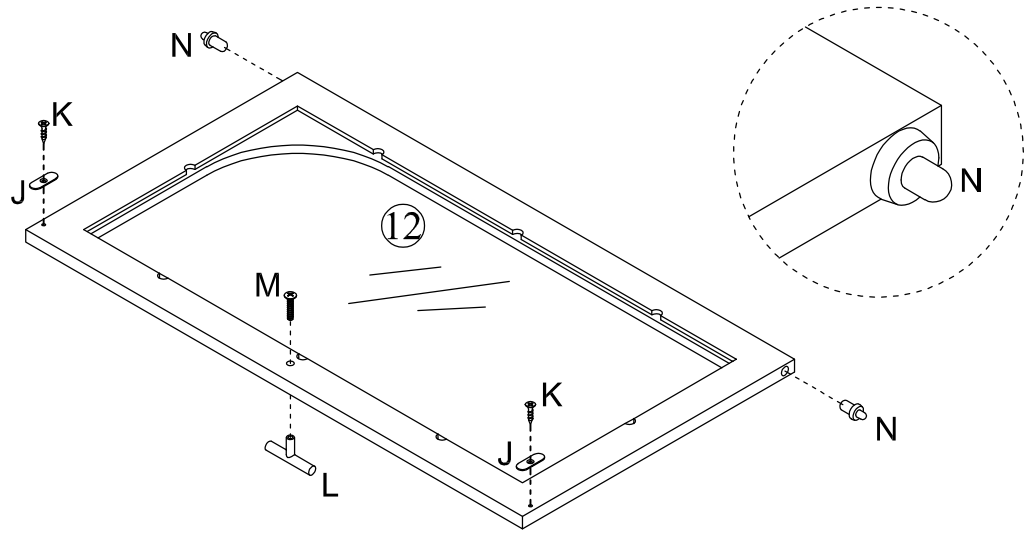
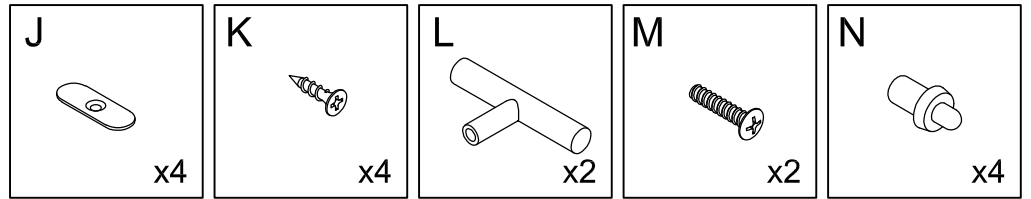
# STEP 9



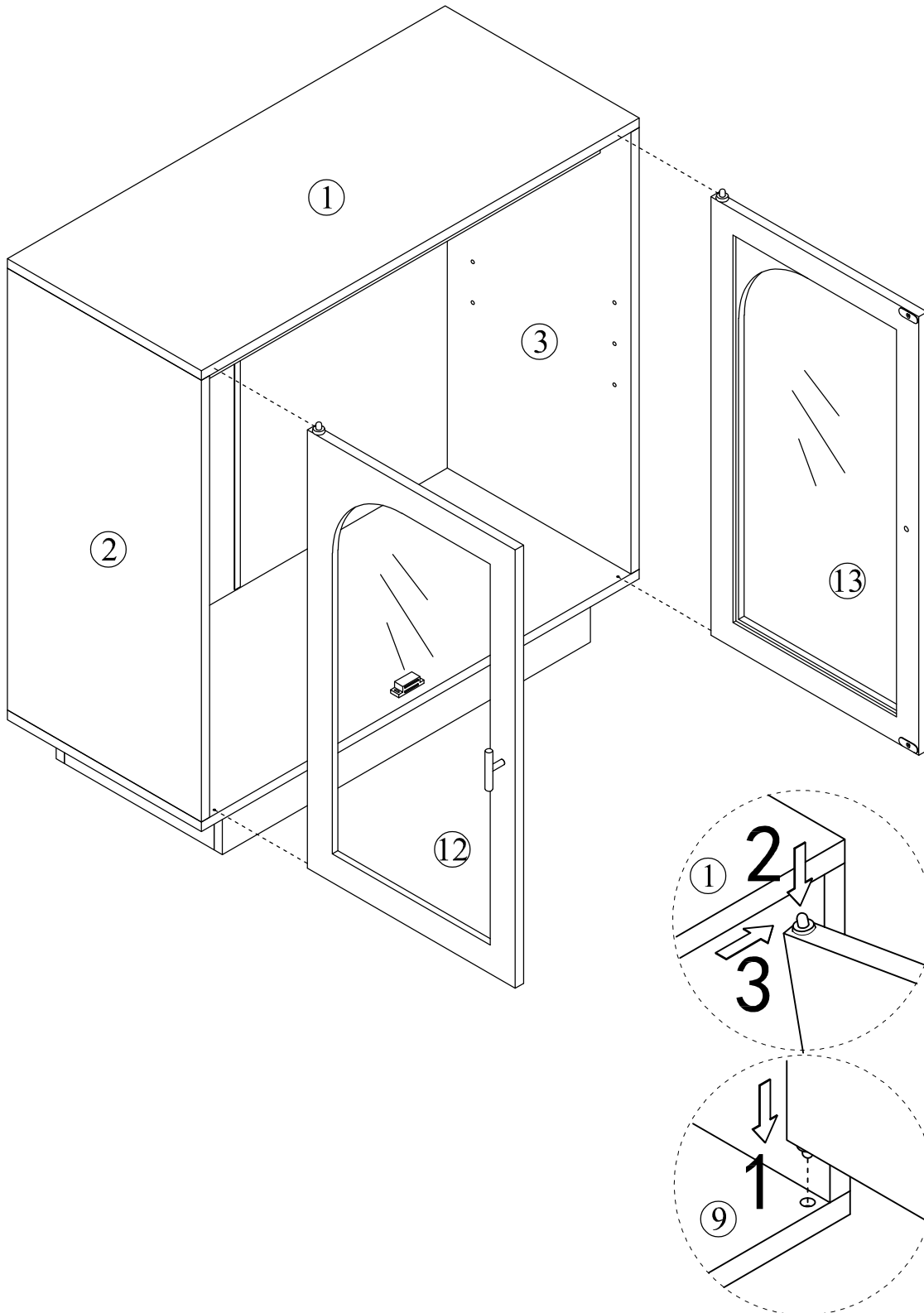
# STEP 10



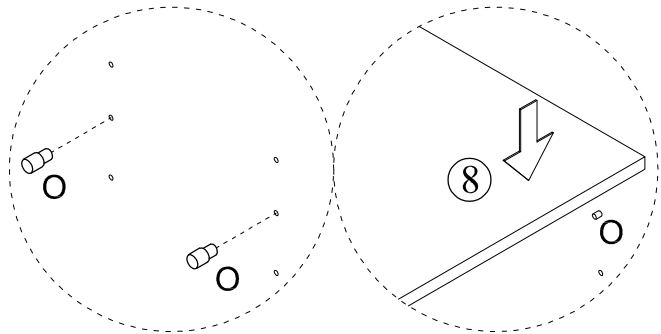
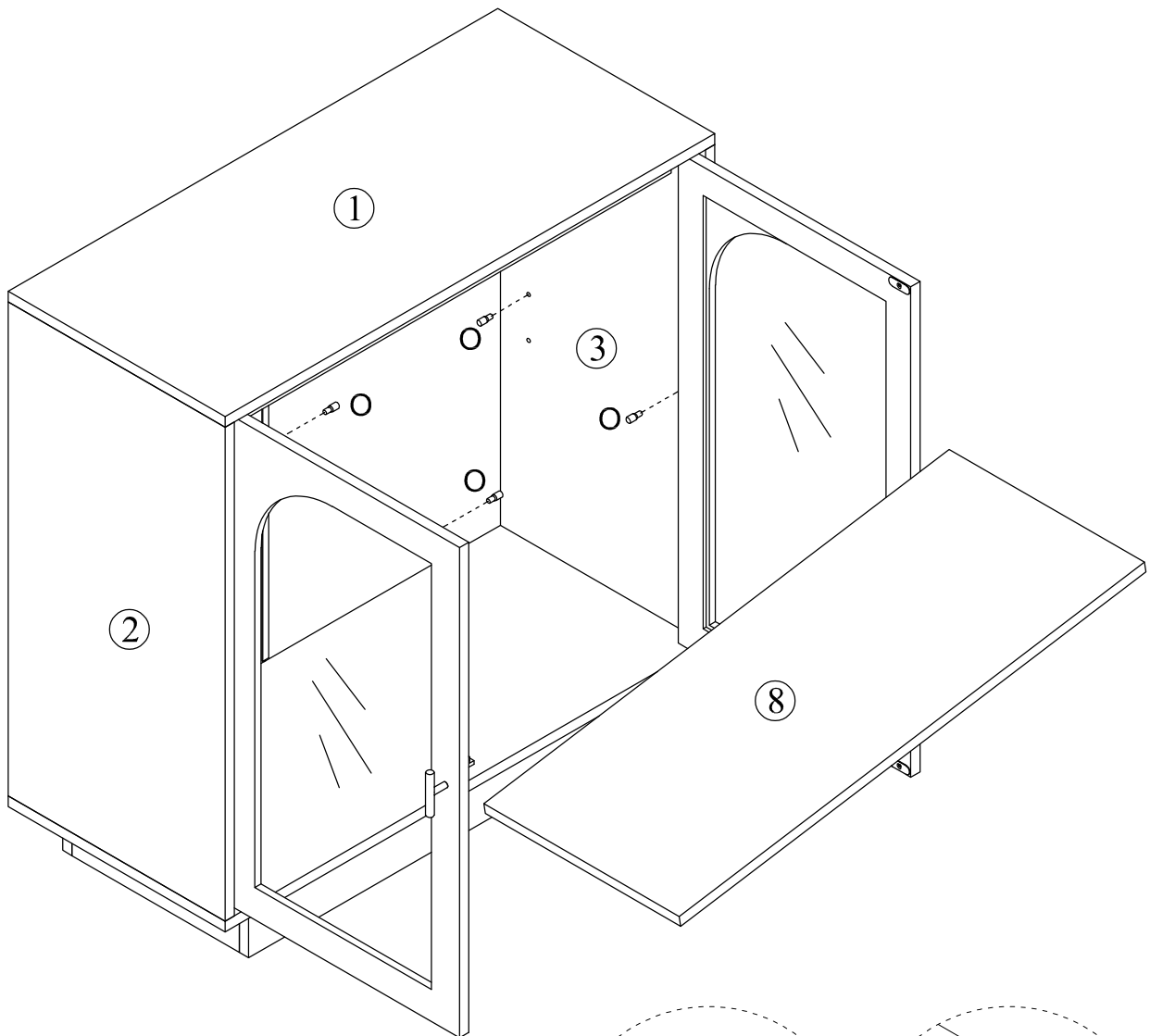
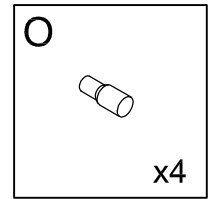
# STEP 11



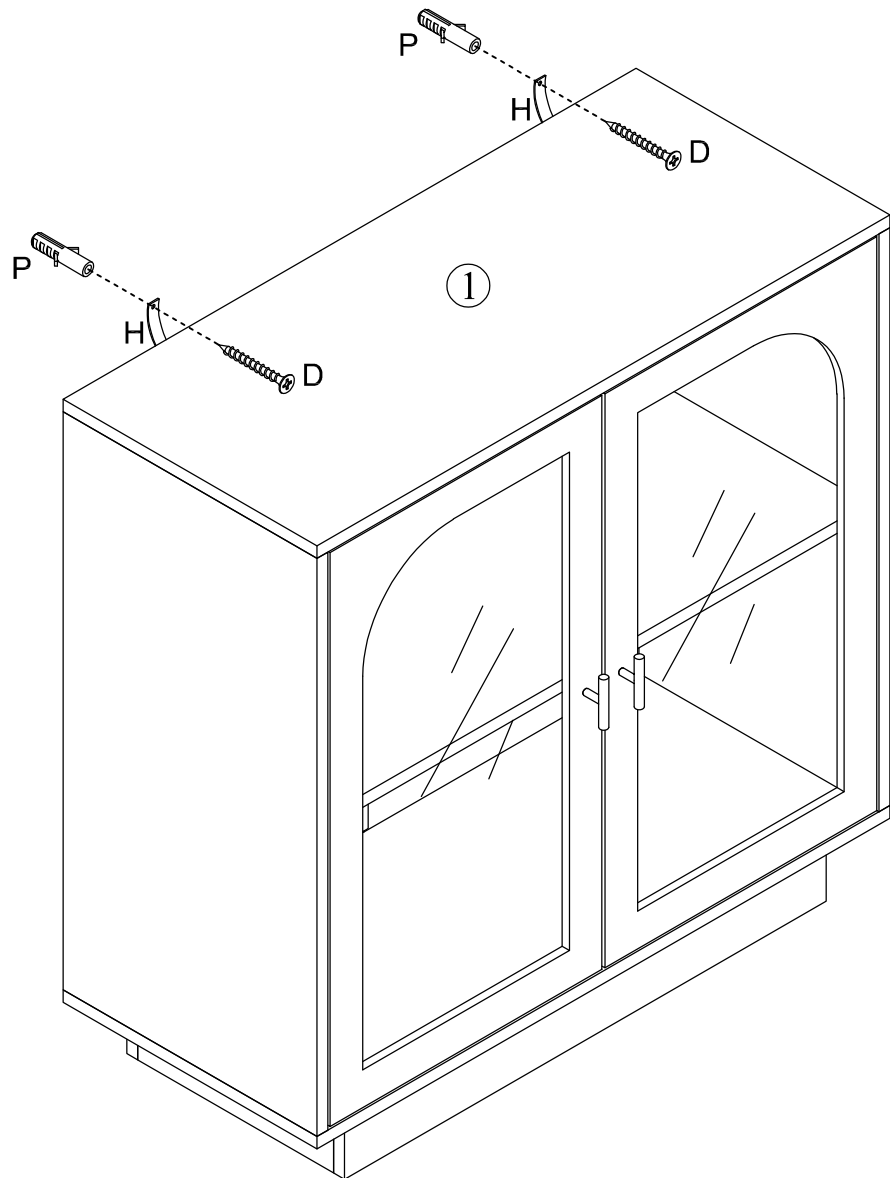
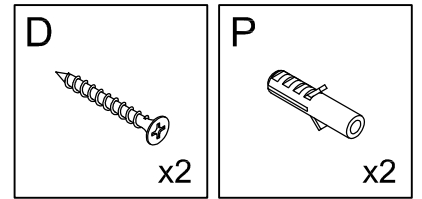
# STEP 12



# STEP 13



# STEP 14



# Proper Use

- DO NOT** use for commercial purposes
- DO NOT** use as a step stool or stand on table
- DO NOT** put hot serving liquid directly on the table top
- DO NOT** leave spilled liquid on the table top
- DO NOT** use table if damaged
- DO NOT** exceed weight limit
- DO NOT** make temporary repairs
- DO NOT** use outdoor