

**66" BAYLIS  
COPPER DOUBLE  
SLIPPER TUB**

Cat. No.  
COTDSN66S



L: 66"  
W: 32-1/8"  
H: 30-5/8"

Water depth: 15-3/4" to top of tub

The following is recommended for COTDSN tubs without faucet holes:

- Faucet: **Part# 4602, 4604**
- Free standing bath supplies: **Part# 4502**
- Leg tub drain: **Part# 5599LT or 5599TS**



Overflow can be drilled.  
With overflow drilled this tub  
requires drain **5599E**.  
**Tubs that have been  
drilled with overflow are  
"special order" and  
are not returnable.**

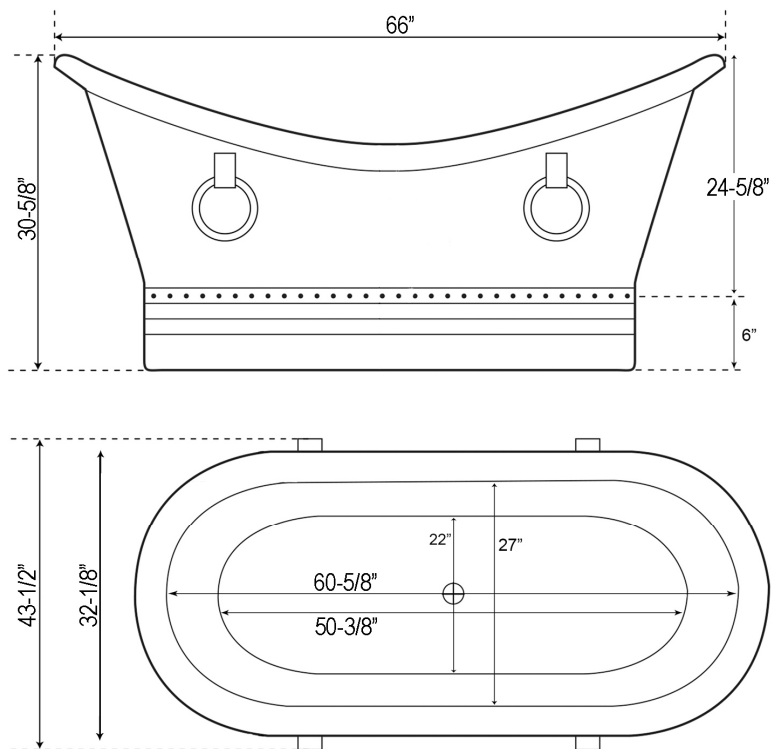
Gallon Capacity:	60
Shipping Weight:	225 lbs.
Empty Weight:	170 lbs.
Filled Weight:	671 lbs.

**Features:**

- ▶ Made of 16 gauge copper  
(Copper is a living finish and will patina over time)
- ▶ Hammered antique copper inside and out
- ▶ No faucet holes
- ▶ No overflow
- ▶ Extra wide
- ▶ Rim is 2-5/8"
- ▶ Decorative hammered copper rings
- ▶ Hand polished
- ▶ Includes base

**Tub Finishes:**

**AC** Hammered Antique Copper



Dimensions and specifications subject to change without notice.

08/10/2018

P 847•244•1234

www.barclayproducts.com