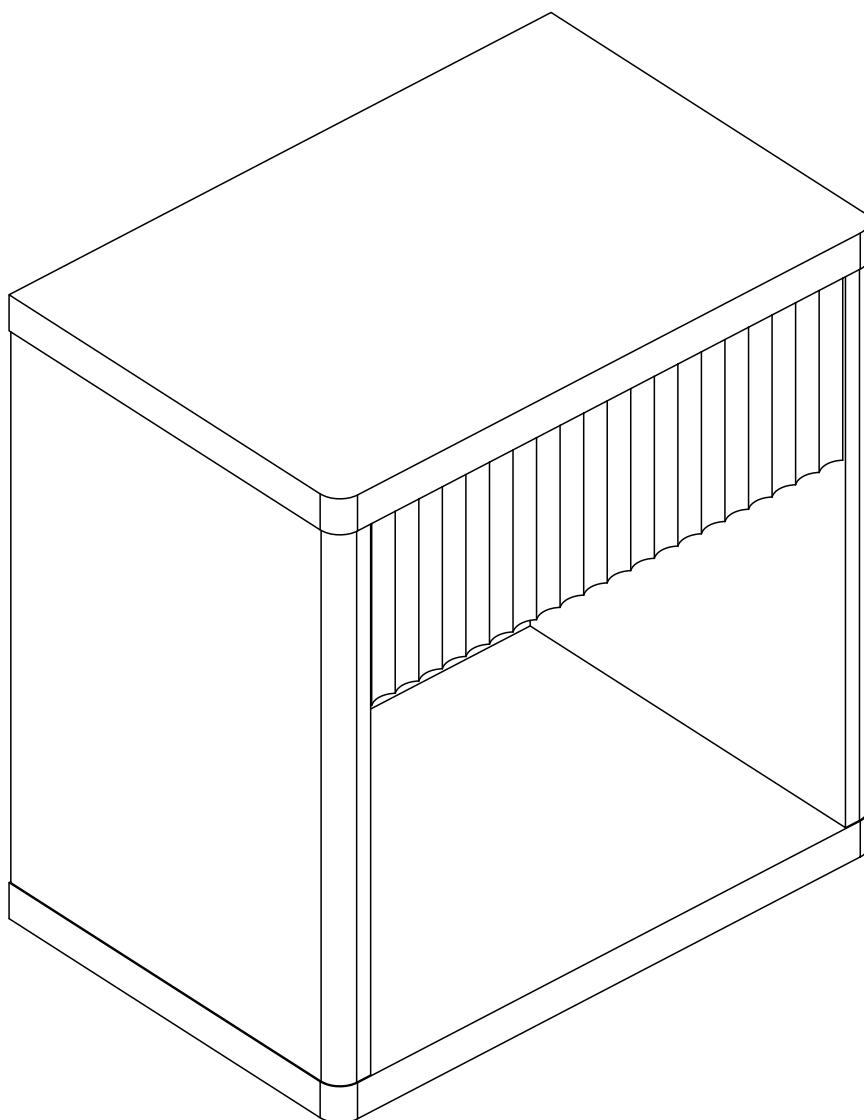


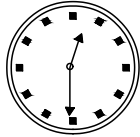
# Installation Instruction



# Assembling

---

## Estimated time for assembly

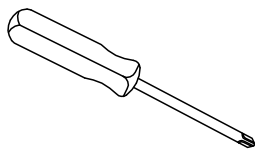


**30 : 00**

---

## What you need

- Use the packaging carton as a working surface to prevent product damage during assembly
- Phillips head screwdriver



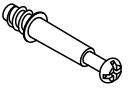


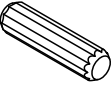


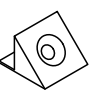
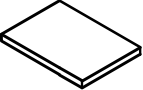
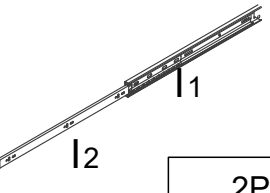

## Weight Limitation



**20** | **11**  
lbs table top      lbs per drawer

---

# HARDWARE

<p>A</p>  <p>Cam Bolt M6x35mm</p> <p>9PCS</p>	<p>B</p>  <p>Cam Lock Ø15x12mm</p> <p>9PCS</p>	<p>C</p>  <p>Screw Ø3x14mm</p> <p>8PCS</p>
<p>D</p>  <p>Wooden Dowel Ø8x30mm</p> <p>8PCS</p>	<p>E</p>  <p>Screw Ø3x12mm</p> <p>12PCS</p>	<p>F</p>  <p>Screw Ø4x40mm</p> <p>8PCS</p>
<p>G</p>  <p>Plastic Corner Support</p> <p>8PCS</p>	<p>H</p>  <p>Foot Pad</p> <p>4PCS</p>	<p>I</p>  <p>Slide</p> <p>2PCS</p>
<p>J</p>  <p>Screw Ø4x35mm</p> <p>2PCS</p>		

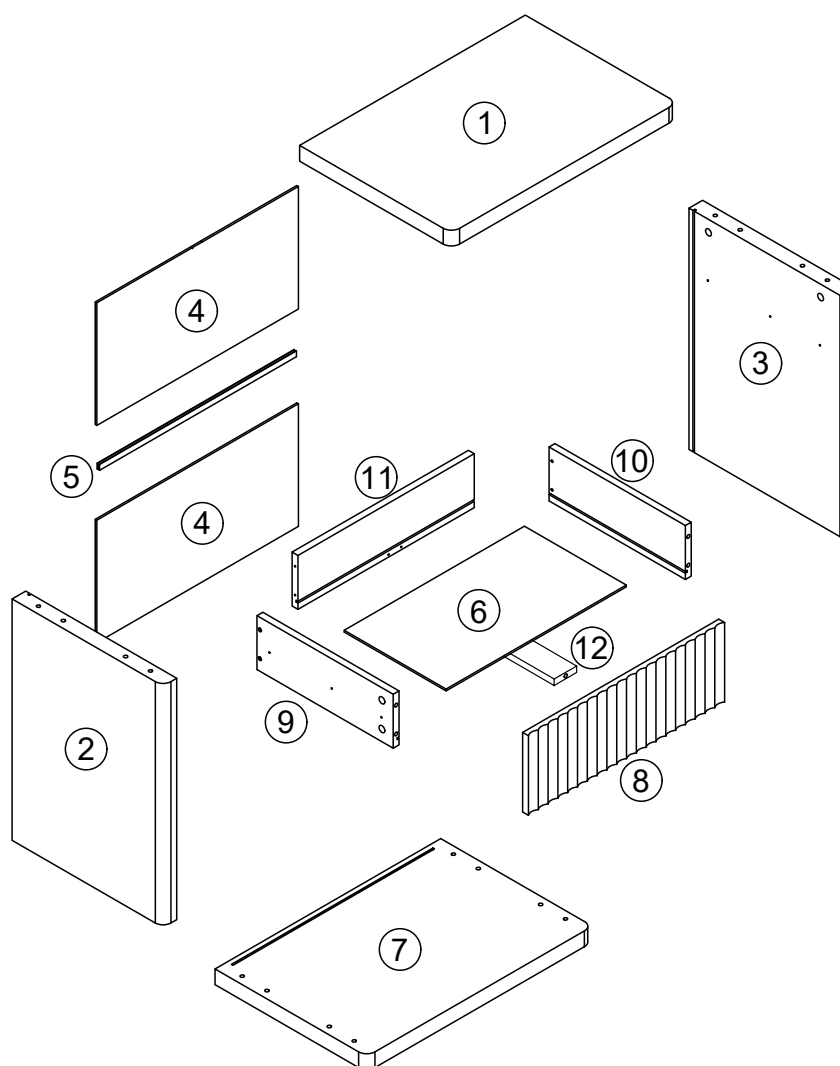
## IMPORTANT:

1. Do not tighten bolts / screws completely until all bolts / screws are lined up and inserted into holes.
2. Do not over tighten screws and bolts to avoid stripping.
3. Please use hand tools to assemble this product. Do not use power tools.



# Included Accessories

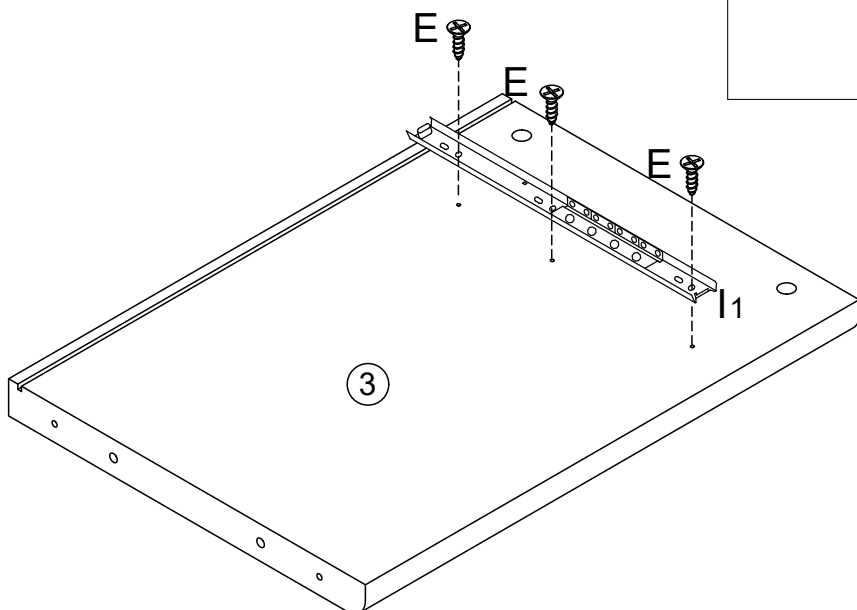
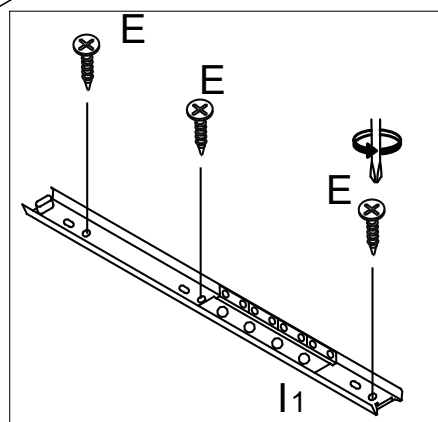
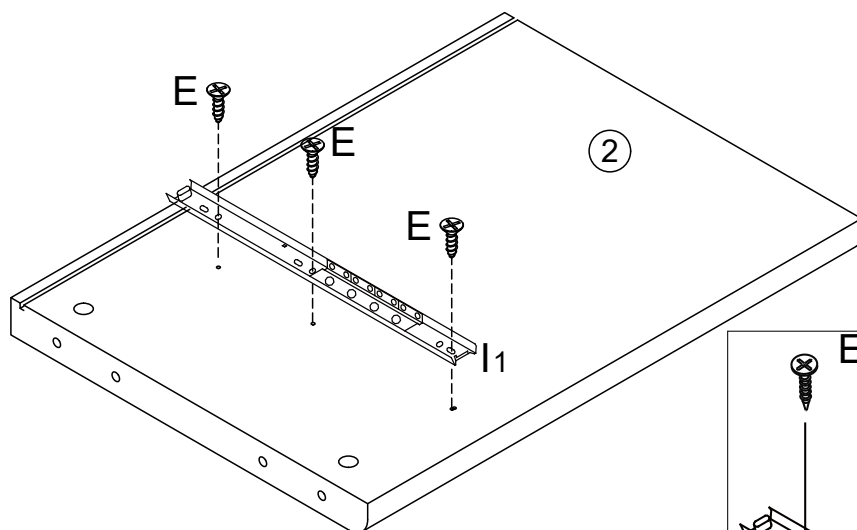
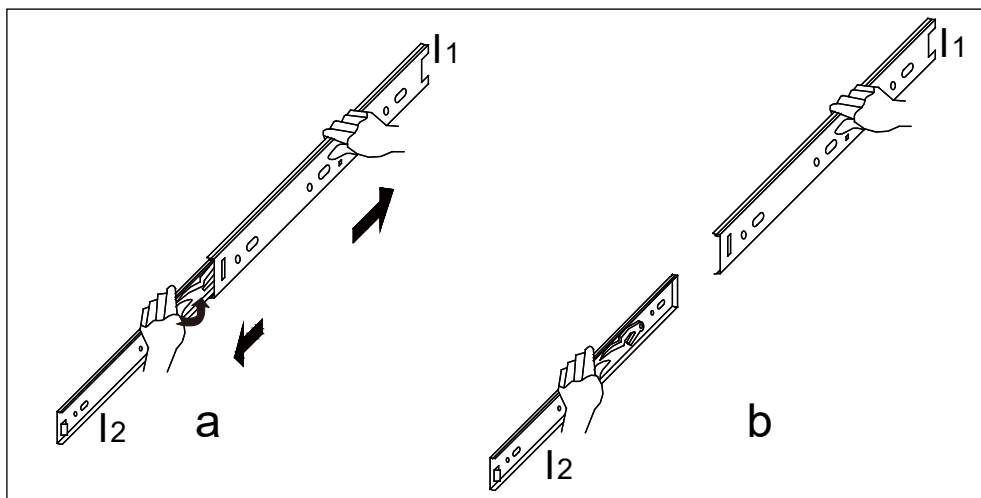
<b>Code</b>	<b>Description</b>	<b>Qty</b>
1	Top Panel	1
2	Left Side Panel	1
3	Right Side Panel	1
4	Back Panel	2
5	Plastic Strip	1
6	Drawer Bottom Panel	1
7	Bottom Panel	1
8	Drawer Front Panel	1
9	Drawer Left Side Panel	1
10	Drawer Right Side Panel	1
11	Drawer Back Panel	1
12	Drawer Support Panel	1

# The Accessories

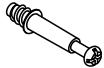
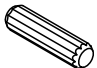


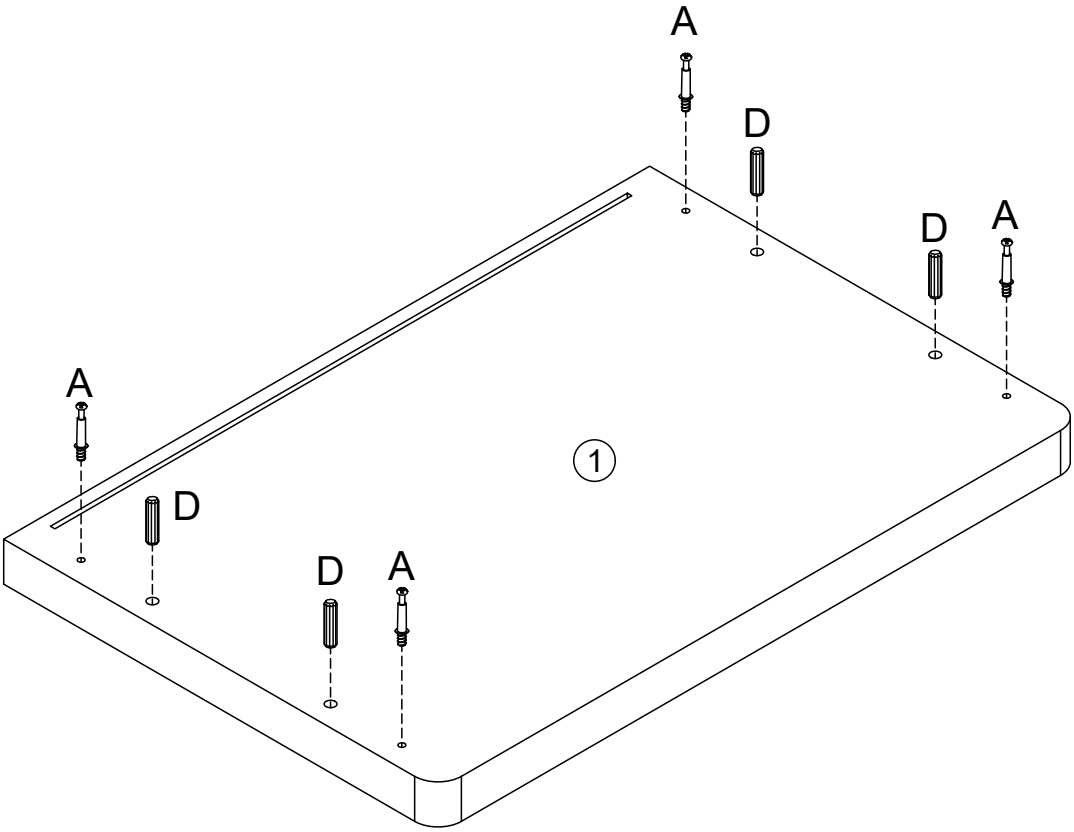
# Step 1

E	x6	I	x2
			




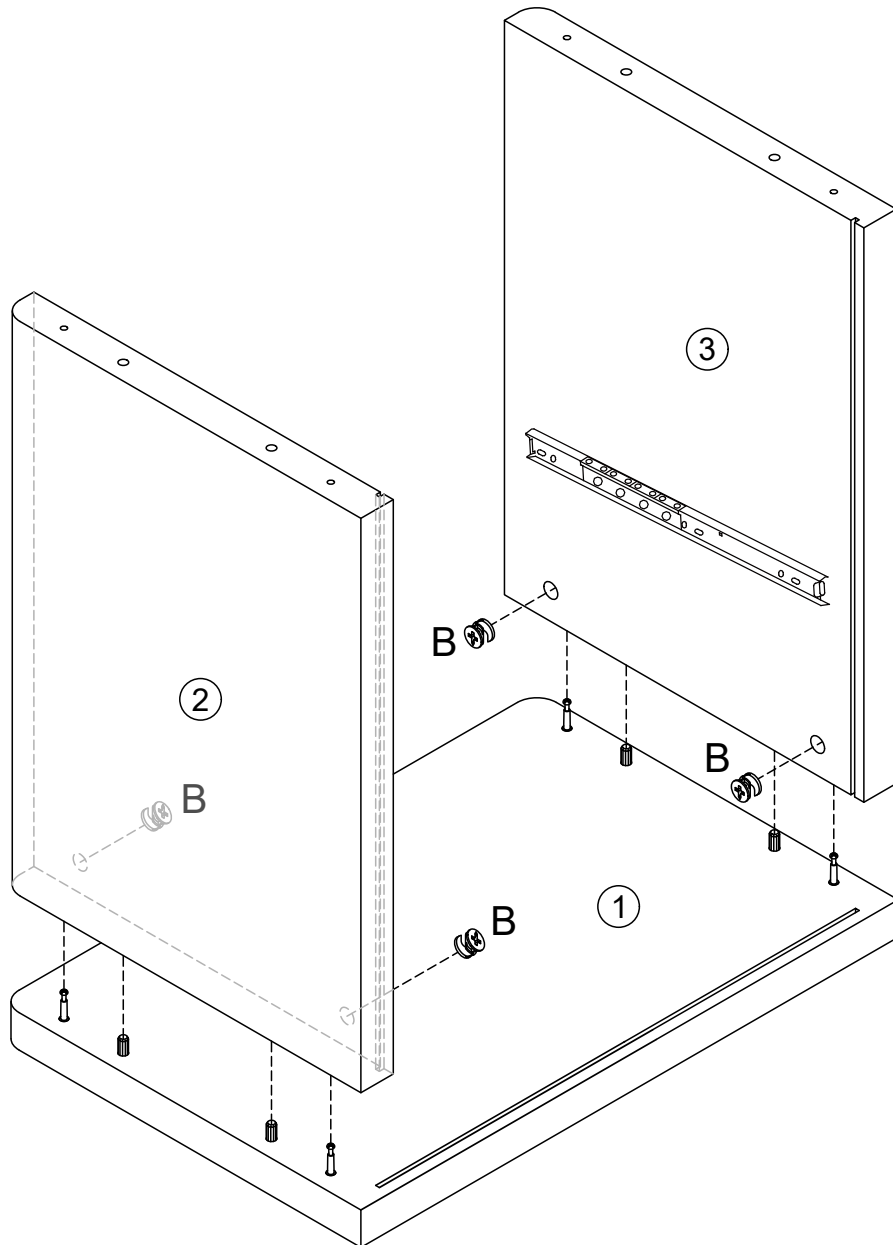
# Step 2

A	x4	D	x4
			

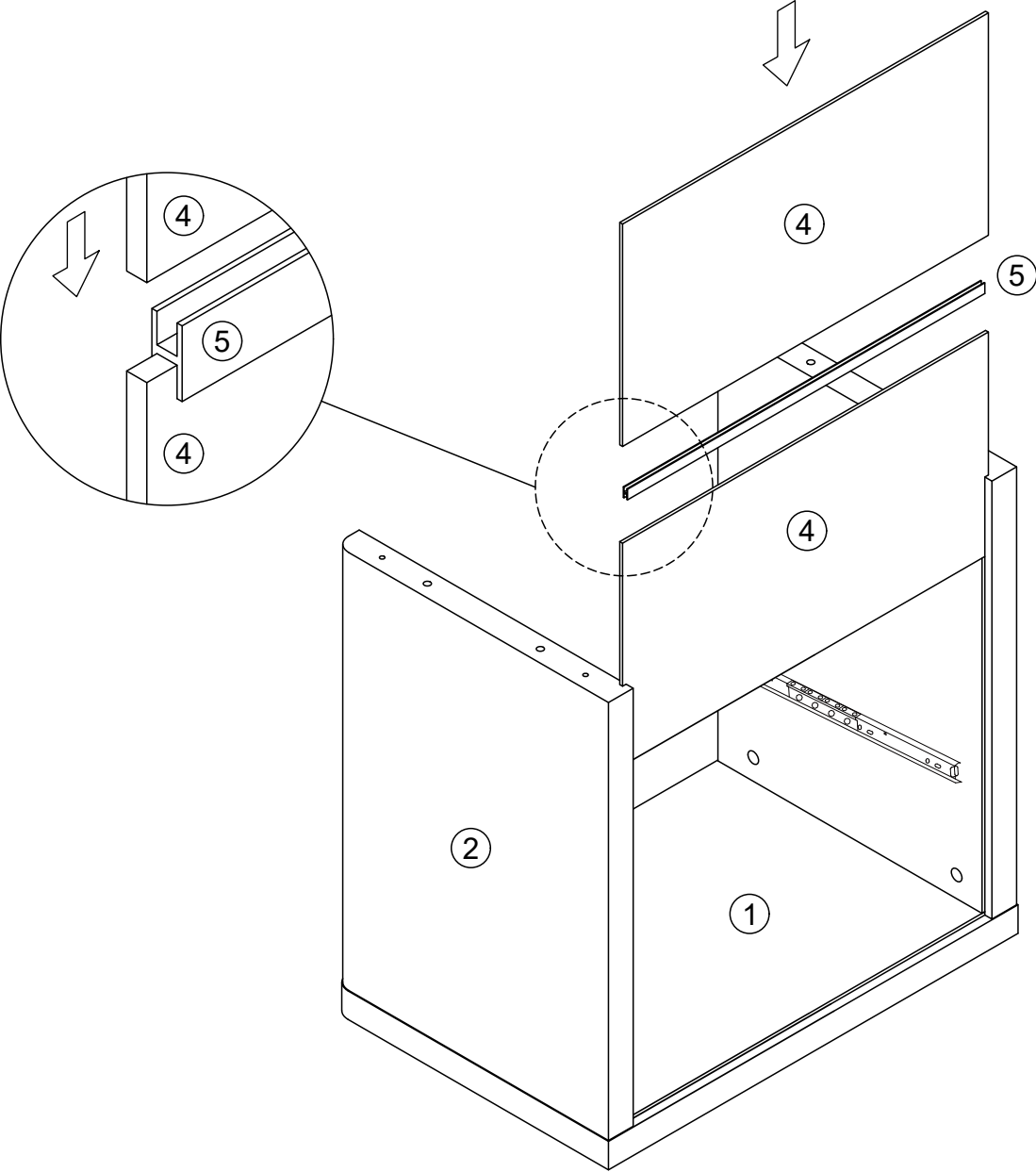


# Step 3


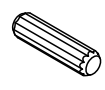
B	x4
	

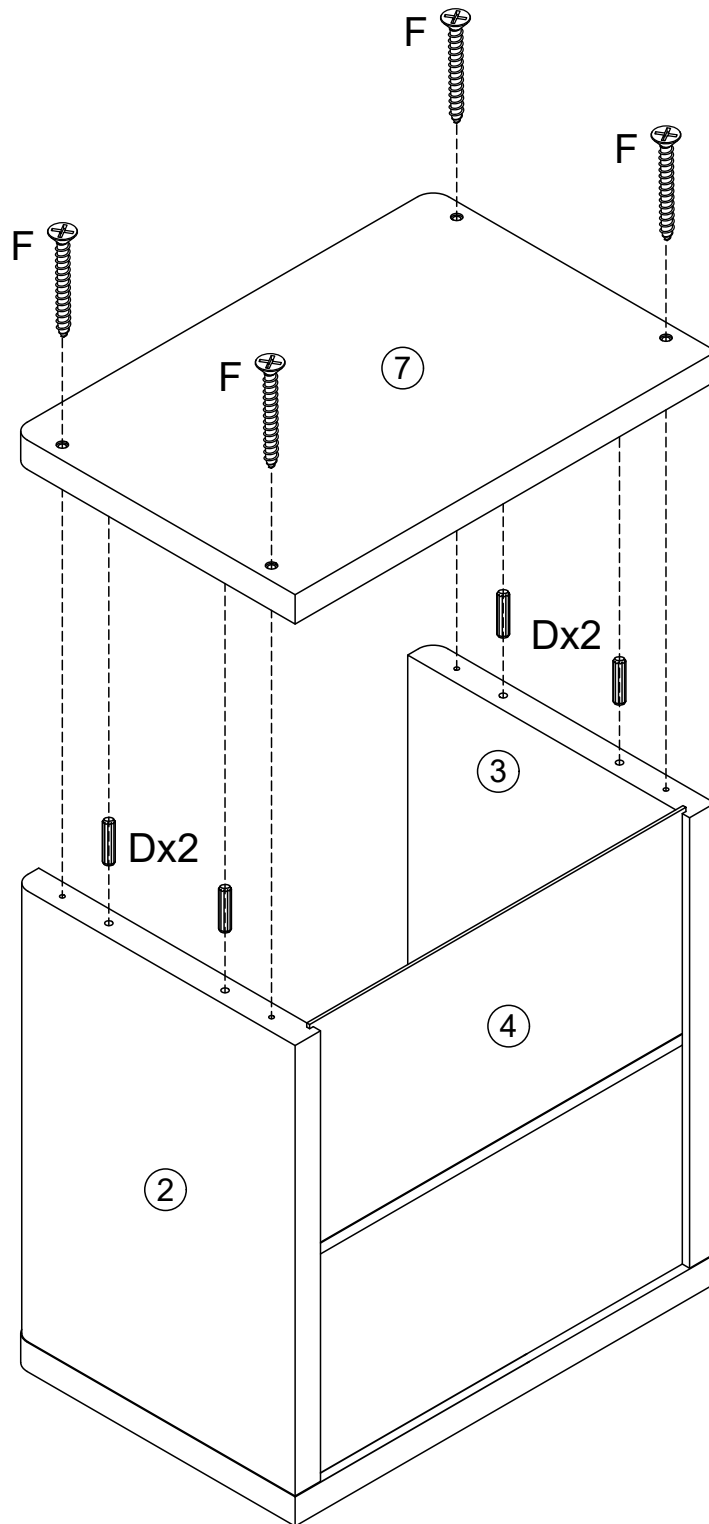


# Step 4




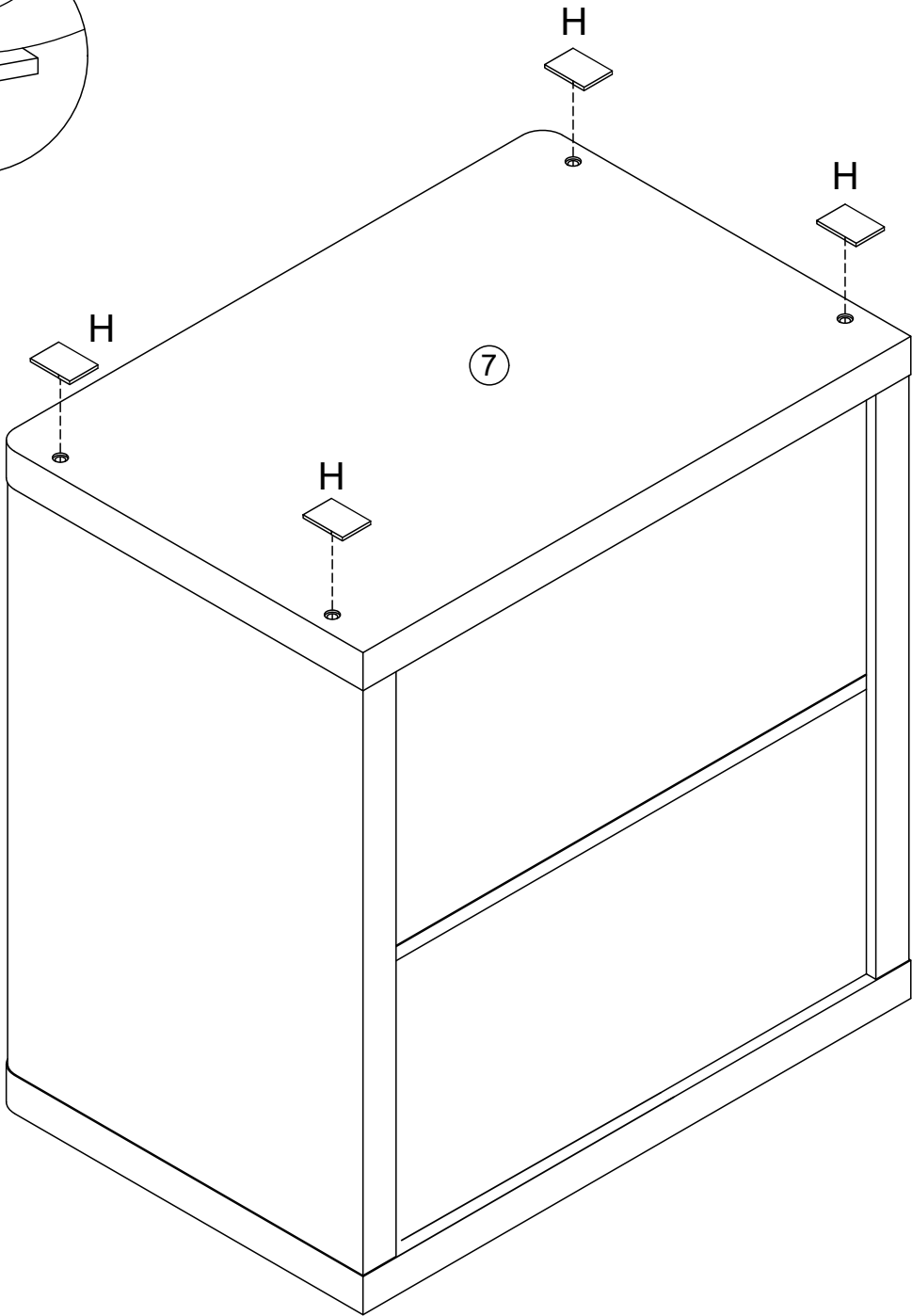
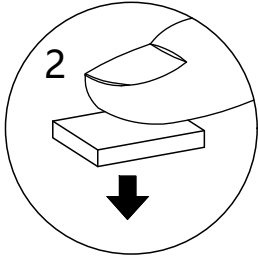
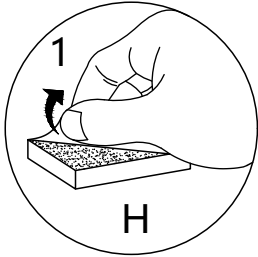
# Step 5

F	x4	D	x4
			

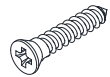
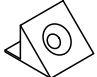


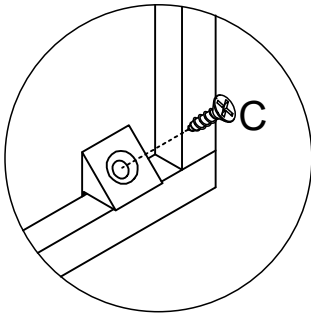
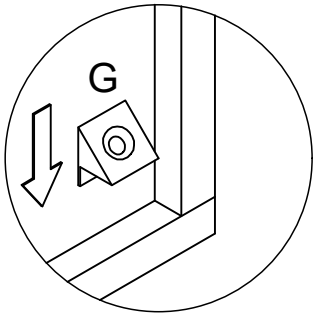
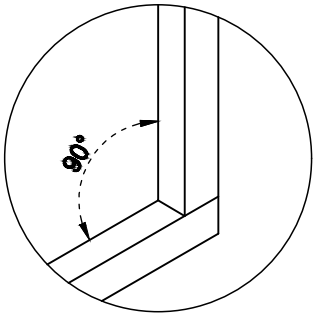
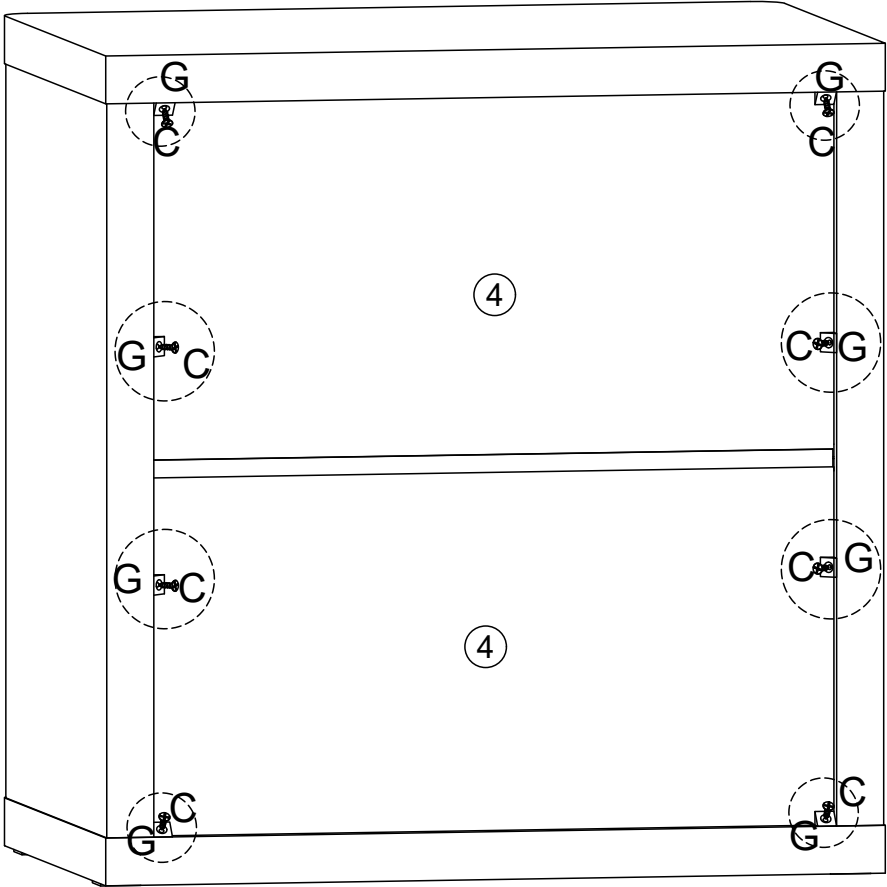
# Step 6

H	x4
	

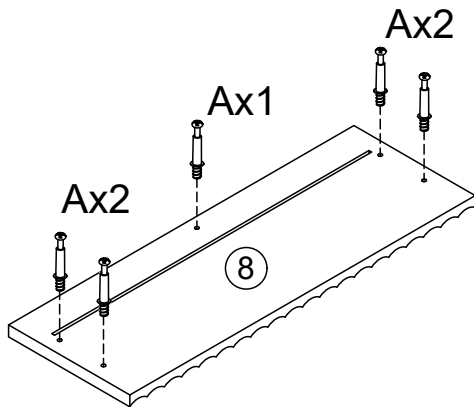


# Step 7

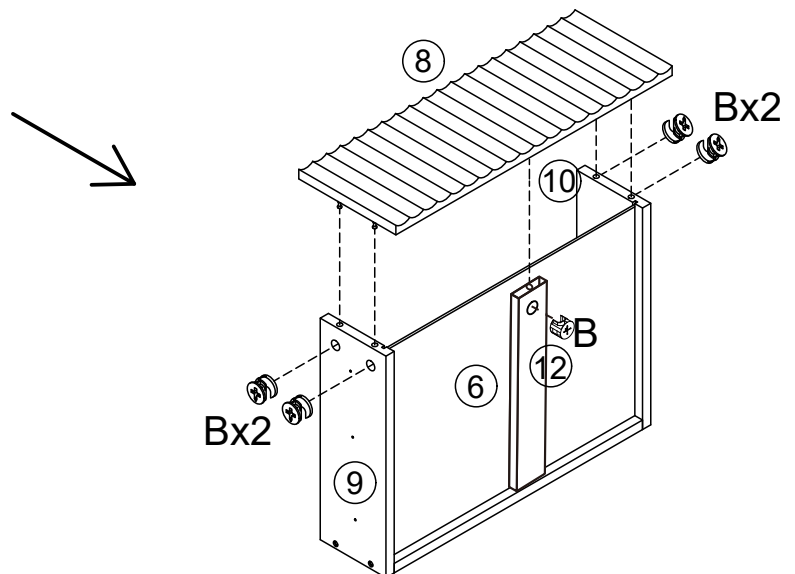
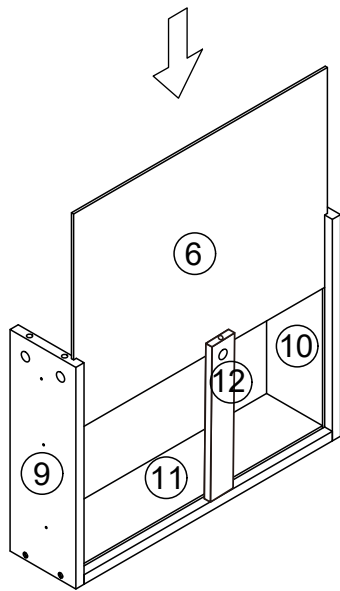
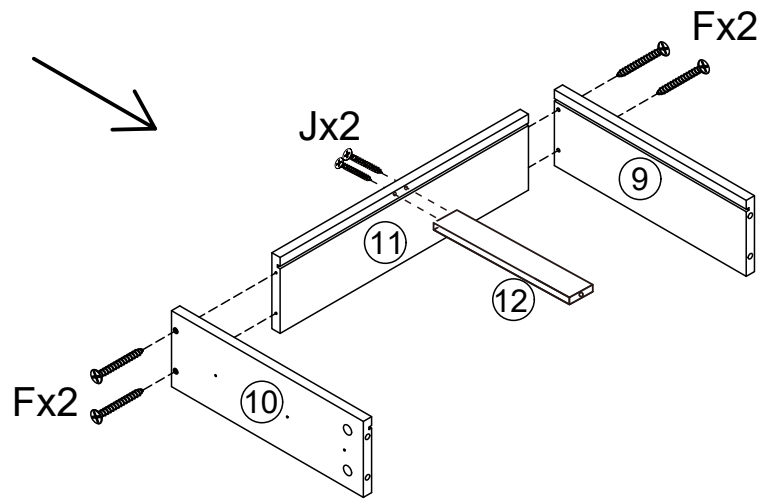
C	x8	G	x8
			





# Step 8

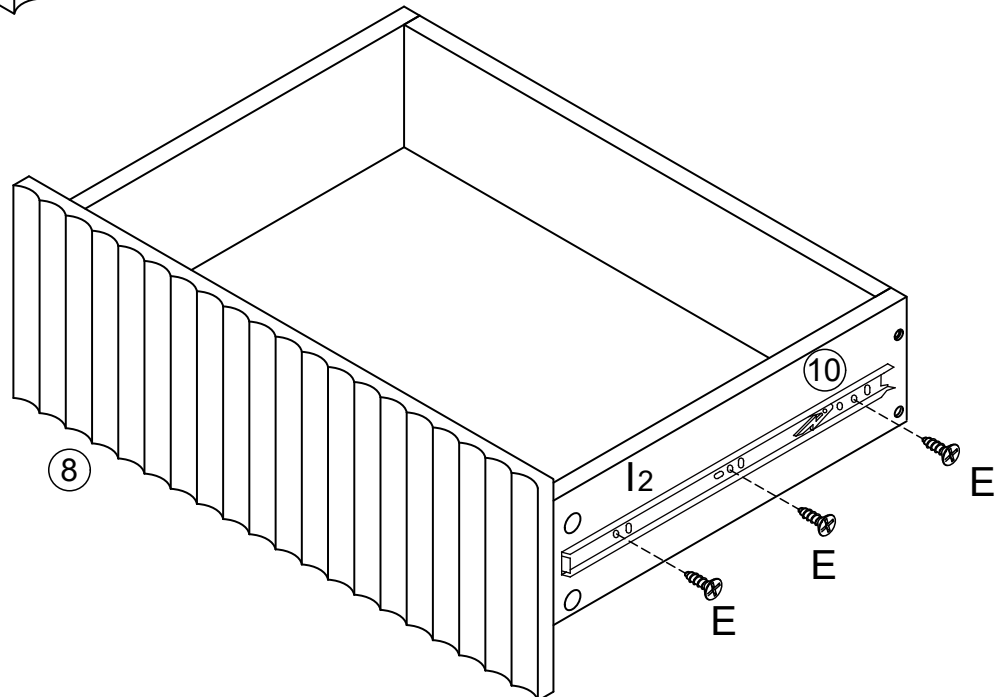
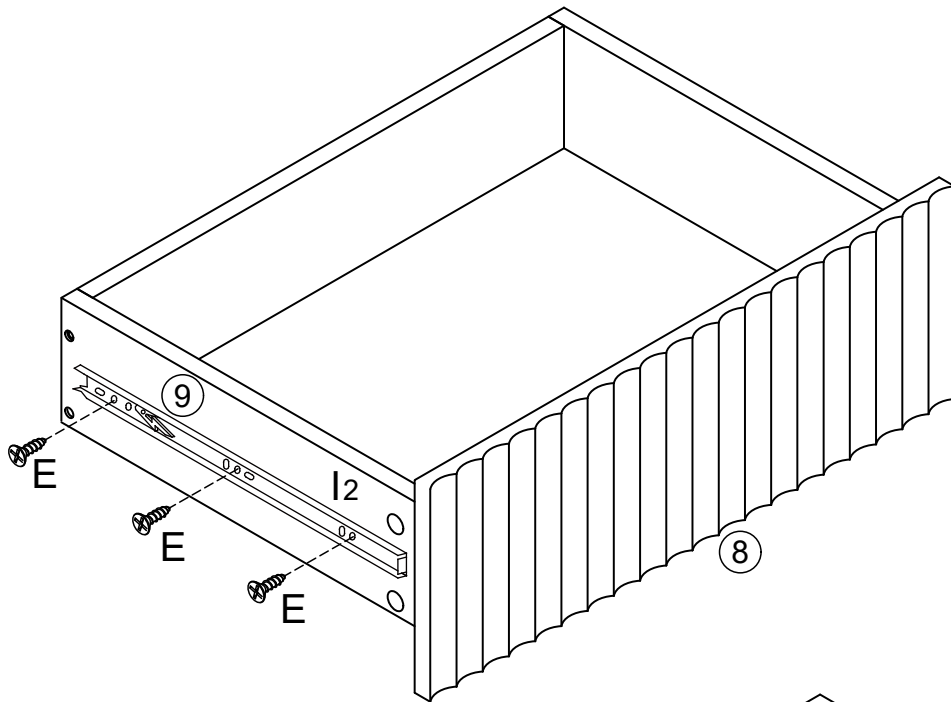


A	x5	B	x5	F	x4
J	x2				

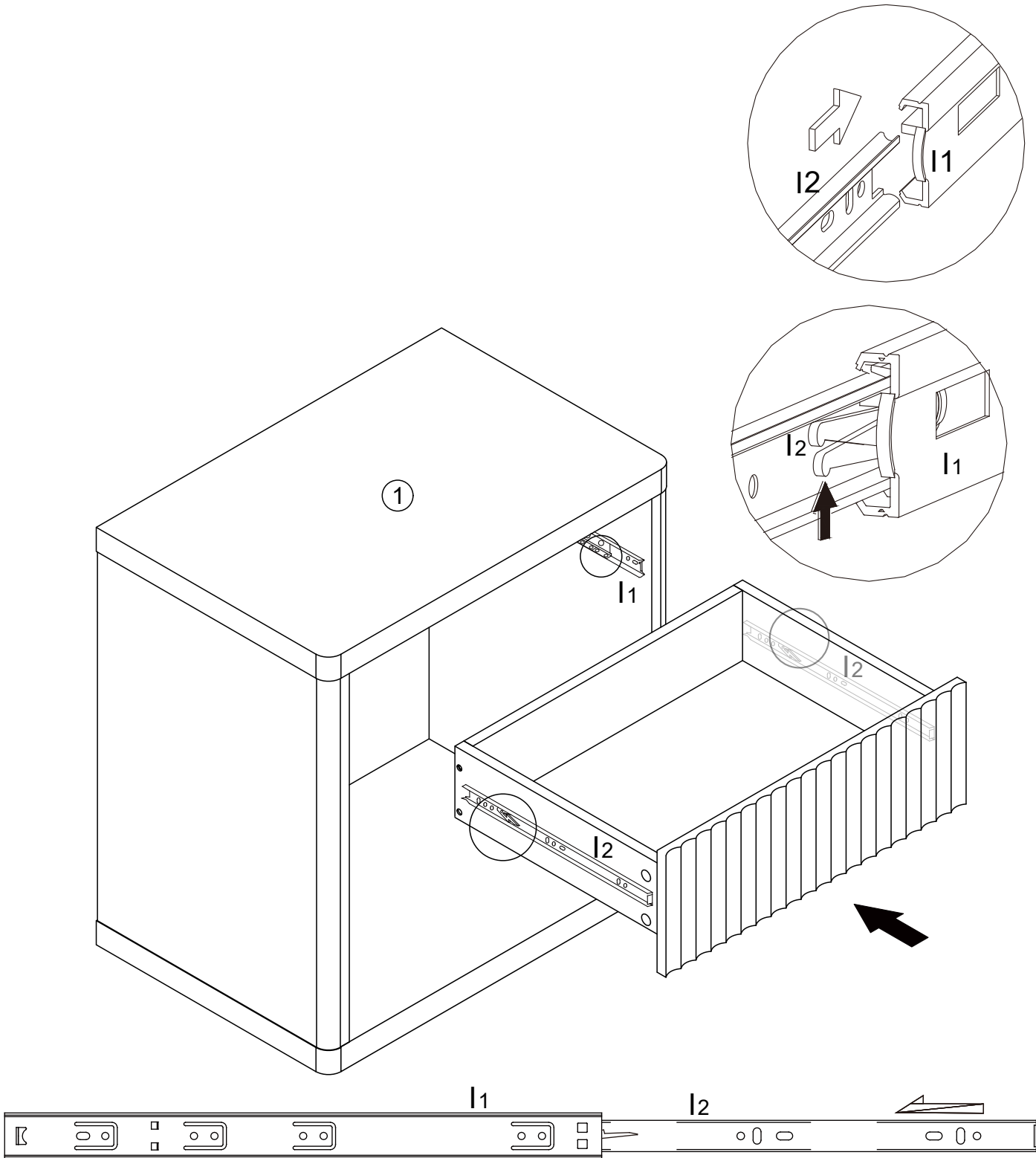


# Step 9

E	x6	I	x2
			



# Step 10



# Step 11

