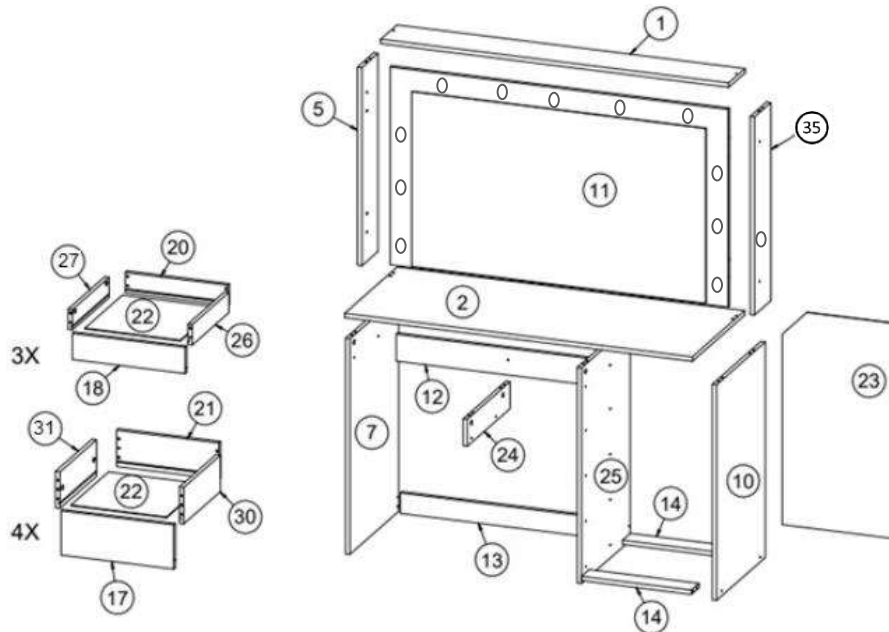


**PARTS IDENTIFICATION / IDENTIFICACION DE PARTES**

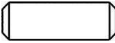
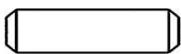

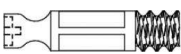


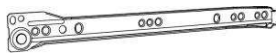




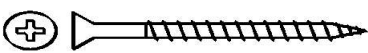
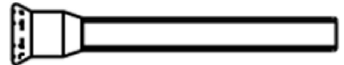


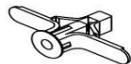


| Nº | DESCRIPTION - DESCRIPCIÓN  | QTY. | BOX |
|----|--|------|-----|
| 1  | Top tray / Travesaño superior                                      | 1    | 2/2 |
| 2  | Top base / Base superior   | 1    | 2/2 |
| 5  | Left side tray / Travesaño lateral izquierdo                       | 1    | 1/2 |
| 7  | Left side / Lateral izquierdo                                      | 1    | 1/2 |
| 10 | Right side / Lateral derecho                                       | 1    | 1/2 |
| 11 | Mirror / Espejo  | 1    | 2/2 |
| 12 | Crossbeam / Travesaño  | 1    | 1/2 |
| 13 | Large footer / Zócalo grande                                       | 1    | 1/2 |
| 14 | Small footer / Zócalo pequeño                                      | 2    | 1/2 |
| 17 | Front of large drawer / Frontal de cajón grande                    | 4    | 1/2 |
| 18 | Front of small drawer / Frontal de cajón pequeño                   | 3    | 2/2 |
| 20 | Rear of small drawer / Posterior de cajón pequeño                  | 3    | 1/2 |
| 21 | Rear of large drawer / Posterior de cajón grande                   | 4    | 1/2 |
| 22 | Bottom of drawer / Fondo de cajón                                  | 7    | 1/2 |
| 23 | Backboard / Fondo  | 1    | 1/2 |
| 24 | Drawer divide support / Divisoria soporte cajón                    | 1    | 1/2 |
| 25 | Division / División  | 1    | 1/2 |
| 26 | Side of the small right drawer / Lateral de cajón pequeño derecha  | 3    | 1/2 |
| 27 | Side of the small left drawer / Lateral de cajón pequeño izquierda | 3    | 1/2 |
| 30 | Right side of large drawer / Lateral derecho de cajón grande       | 4    | 1/2 |
| 31 | Left side of large drawer / Lateral izquierdo de cajón grande      | 4    | 1/2 |
| 35 | Rigth side tray / Travesaño lateral derecho                        | 1    | 1/2 |

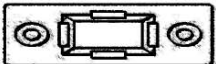



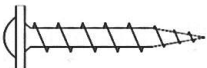
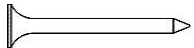
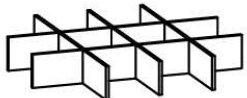


**IDENTIFICATION OF ACCESSORIES / IDENTIFICACION DE ACCESORIOS**

**Note: the separation of the accessories before starting the assembly will facilitate it.**

**Nota: la separación de los accesorios antes de empezar el armado facilitará el mismo.**

| NUMBER |   | DESCRIPTION   | QTY |
|--------|---|---|-----|
| A      |    | Wooden dowel / Pin (6 x 30 mm)                                | 64  |
| AS     |    | Wooden dowel / Pin (6 x 50 mm)                                | 2   |
| AZ     |    | Allen key / Llave allen                                       | 1   |
| B      |    | Simple minifix screw / Tornillo minifix simple                | 22  |
| C      |    | Drum lock / Tambor minifix                                    | 22  |
| G      |    | Pan head screw / Tornillo cabeza olla (4,0 x 30 mm)           | 7   |
| CR1    |    | Metallic left slide 350mm / corredera lateral izquierda 350mm | 7   |
| CR2    |    | Metallic right slide 350 mm / Corredera lateral derecha 350mm | 7   |
| CR3    |  | Left drawer slide 350mm / Corredera cajón izquierda 350mm     | 7   |
| CR4    |  | Right drawer slide 350 mm/ Corredera cajón derecha 350 mm     | 7   |
| D      |  | Flat head screw / Tornillo cabeza plana (3,5 x 14 mm)         | 64  |
| DE     |  | Screw / Tornillo cabeza plana (4,5 x 50 mm)                   | 2   |
| DZ     |  | Structural screw / Tornillo estructural (5 x 40 mm)           | 31  |
| EN     |  | Nail / Clavo  | 23  |
| FM     |  | Adhesive bore patch / Tapón adhesivo                          | 31  |
| L      |  | Drywall Anchor / Anclaje de pared                             | 2   |
| PX     |  | Knob / Tirador  | 7   |
| Q      |  | Plastic angle support / Soporte de plástico                   | 2   |

|    |   |   |    |
|----|---|---|----|
| V  |  | Mounting bracket / Soporte de montaje                               | 2  |
| X  |  | Small plastic foot / Pie plástico                                   | 7  |
| Y  |  | Adhesive bore patch / Tapón adhesivo                                | 14 |
| E  |  | Clamp / Abrazadera  | 1  |
| F  |  | <u>Flanged</u> head screw / Tornillo cabeza flangeada (3,5 x 16 mm) | 2  |
| H  |  | Nail / Clavo (12x12mm)  | 7  |
| AG |  | Drawer Divider / Divisor de gaveta                                  | 1  |