

CARE AND MAINTENANCE

Store outdoor furniture indoors or cover well when not in use.

Remove wooden furniture from standing water. Dust regularly with small brush or vacuum

Spills should be taken care of immediately before they harden or stain with a slightly dampened sponge.

NOTICE

* Please make sure that you have all parts indicated before you begin assembly of this item

* This item should be assembled on a soft surface to prevent scratching the finish during assembly

* This item may require periodic tightening


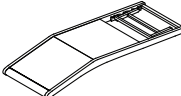
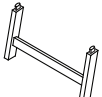
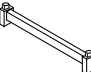


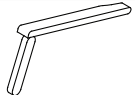


Weight Capacity : 600 Ibs



Warning : Do not stand on chair

Warning : Do not over torque bolts / screws

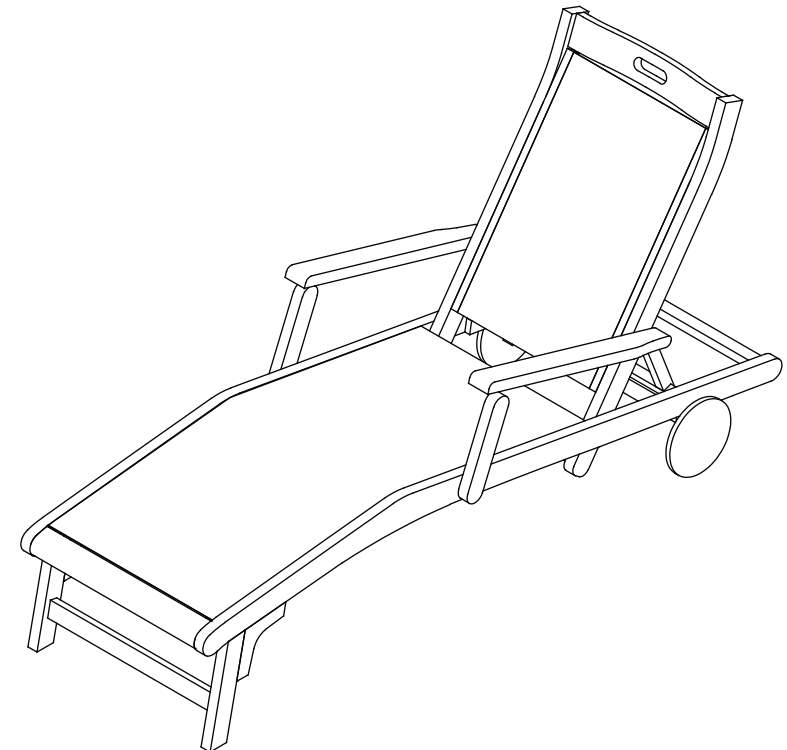


Part List and Hardware List

PIECE	DESCRIPTION	PICTURE	QUANTITY
A	Frame back		1X
B	Frame Seat		1X
C	Front Leg		1X
D	Back Leg		1X
E	Corner		2X
F	Wheel		2X
G	Armrest		2X
I	Screws	 M6x20	8X
K	Screws	 M6x50	4X

PIECE	DESCRIPTION	PICTURE	QUANTITY
L	Bolt	 M6x40	2X
M	Bolt	 M8x45	6X
N	Bolt	 M8x65	2X
O	Insert Nut	 M6x15	2X
P	Insert Nut	 M8x15	6X
Q	Insert Nut	 M8x20	2X
X	Plastic Washer	 M6.5/20X2	2X
Z	Plastic Washer	 M8.5/30X2	6X
Y	Metal Washer	 M8.5/35X5	2X
T	Allen key	 LG4	2X
H	Allen key	 LG5	1X

Product Dimensions: 24.8" W x 70.87" D x 32.1" H



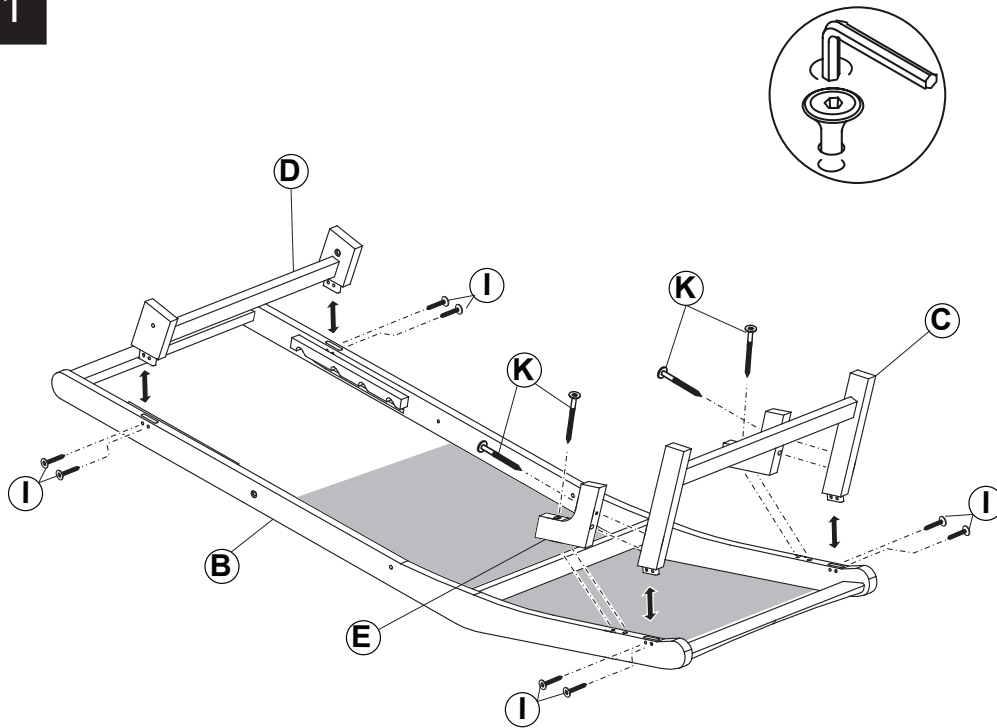
PREPARATION

Before beginning assembly of product, make sure all parts are present. Compare parts with package contents list and hardware contents list. If any part is missing or damaged, do not attempt to assemble the product.

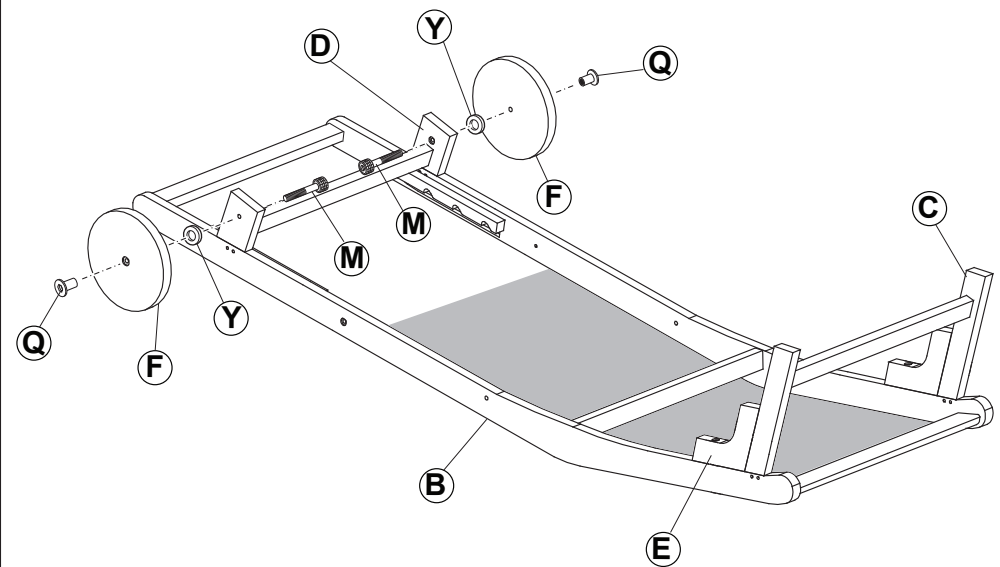
Estimated Assembly Time: 10 minutes.

Tools Required for Assembly (included): Allen Key

1



2



Step 1

Attach Back Leg (D) to Frame seat (B) ,use Screws (I) and tighten with allen key (T).

Attach Front Leg (C) to Frame seat (B) ,use Screws (I) and tighten with allen key (T).

Attach Corner (E) to Frame seat (B) ,use Screws (K) and tighten with allen key (T).

Step 2

Attach Wheel (F) to Back Leg (D) ,use Bolt (M) ,Insert Nut (Q) and Metal Washer (Y) tighten with allen key (T+ H).

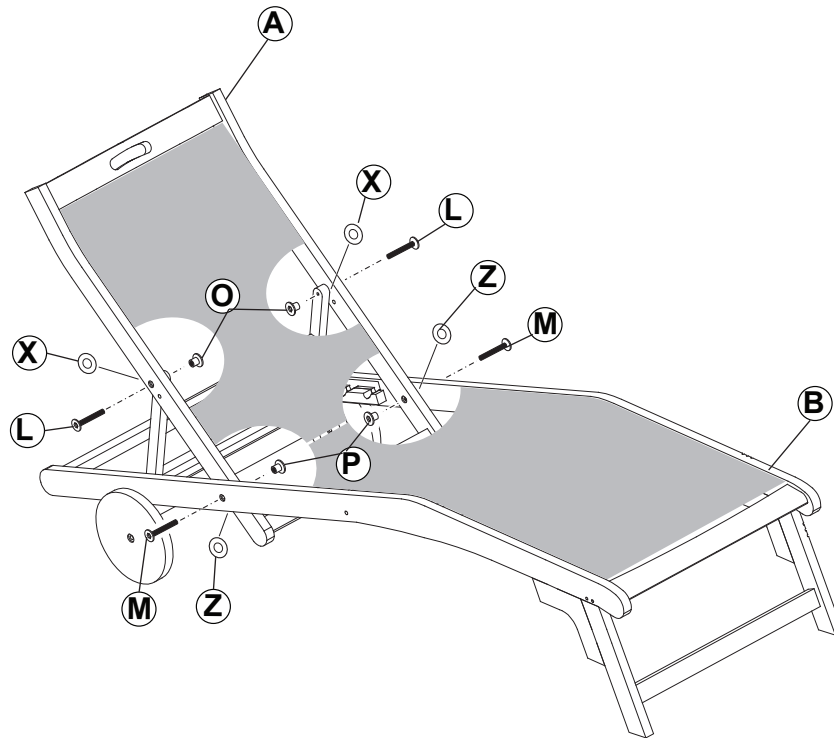
PREPARATION

Before beginning assembly of product, make sure all parts are present. Compare parts with package contents list and hardware contents list. If any part is missing or damaged, do not attempt to assemble the product.

Estimated Assembly Time: 10 minutes.

Tools Required for Assembly (included): Allen Key

3

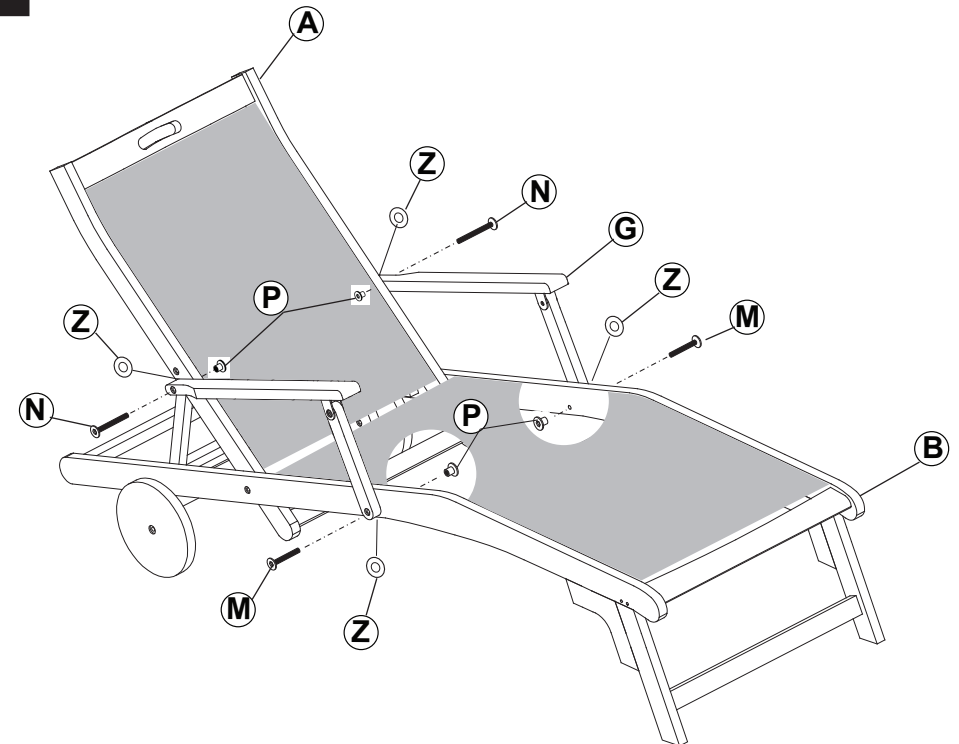


Step 3

Attach Frame Back (A) to Frame Seat (B), Use Bolt (L), Insert Nut (O) and Plastic Washer (X) tighten with allen key (T).

Use Bolt (M), Insert Nut (P) and Plastic Washer (Z) tighten with allen key (T).

4



Step 4

Attach Armrest (G) to Frame Seat (B), Use Bolt (N), Insert Nut (P) and Plastic Washer (Z) tighten with allen key (T).

Use Bolt (M), Insert Nut (P) and Plastic Washer (Z) tighten with allen key (T). Complete.