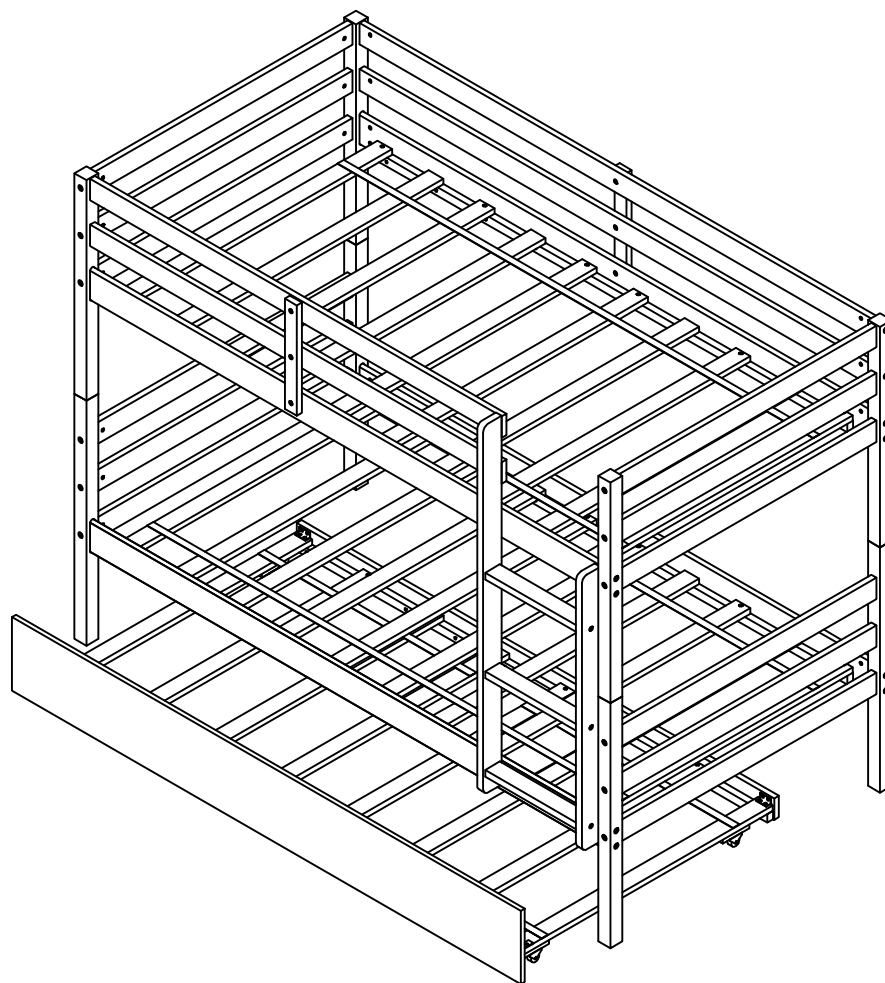


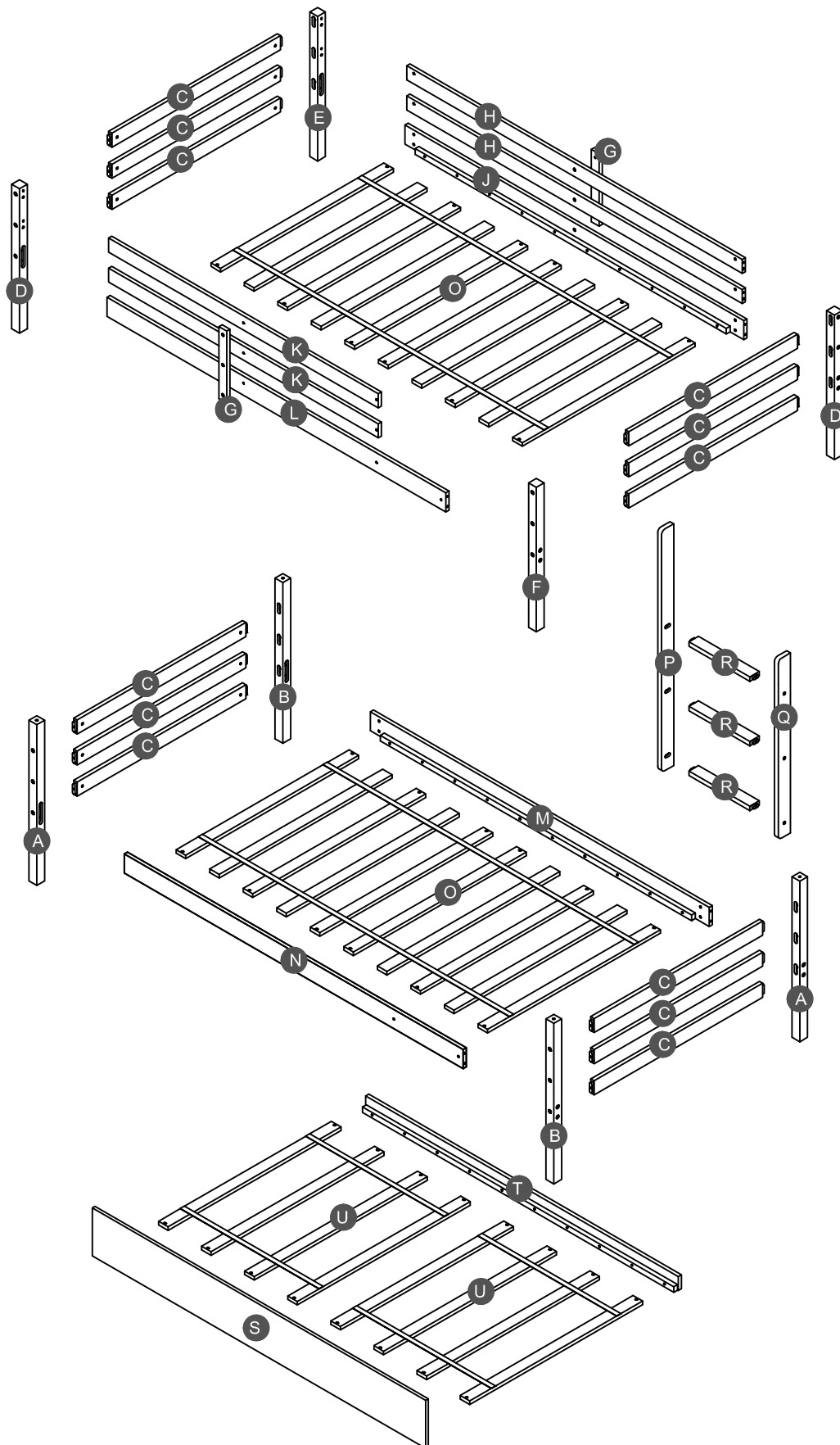
# ASSEMBLY INSTRUCTIONS

## TWIN/TWIN BUNKBED WITH TRUNDLE

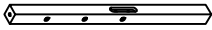
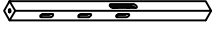
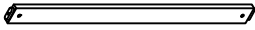




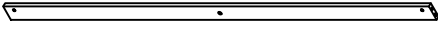

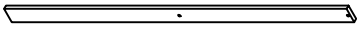

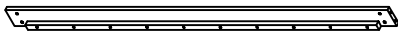
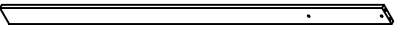
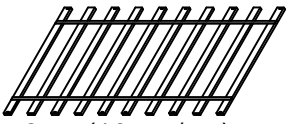
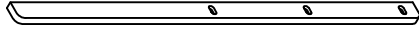
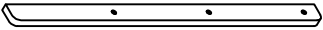
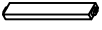
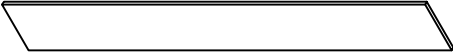

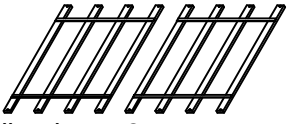


**YX5502**

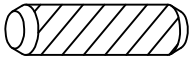
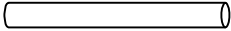
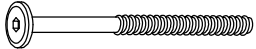
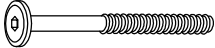
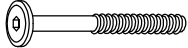



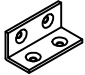
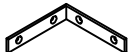


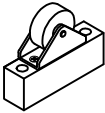

# Detail View



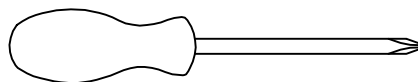
# Part List

<b>A</b>  Lower leg (Left Front /Right Back)- 2pcs	<b>B</b>  Lower leg (Left Back /Right Front)- 2pcs	<b>C</b>  Horizontal bar HB/FB - 12pcs
<b>D</b>  Upper leg (Left Front /Right Back)- 2pcs	<b>E</b>  Upper leg (Left Back)- 1pc	<b>F</b>  Upper leg (Right Front)- 1pc
<b>G</b>  Vertical guard rail - 2pcs	<b>H</b>  Long guard rail (Back) - 2pcs	<b>J</b>  Upper side rail (Back)- 1pc
<b>K</b>  Short guard rail (Front) - 2pcs	<b>L</b>  Upper side rail (Front)- 1pc	<b>M</b>  Lower side rail (Back)- 1pc
<b>N</b>  Lower side rail (Front)- 1pc	<b>O</b>  Slats - 2set (10pcs/set)	<b>P</b>  Left side ladder - 1pc
<b>Q</b>  Right side ladder - 1pc	<b>R</b>  Step ladder - 3pcs	<b>S</b>  Front panel of trundle - 1pc
<b>T</b>  Back panel side rail of trundle - 1pc	<b>U</b>  Trundle slats - 8pcs	

# Hardware List

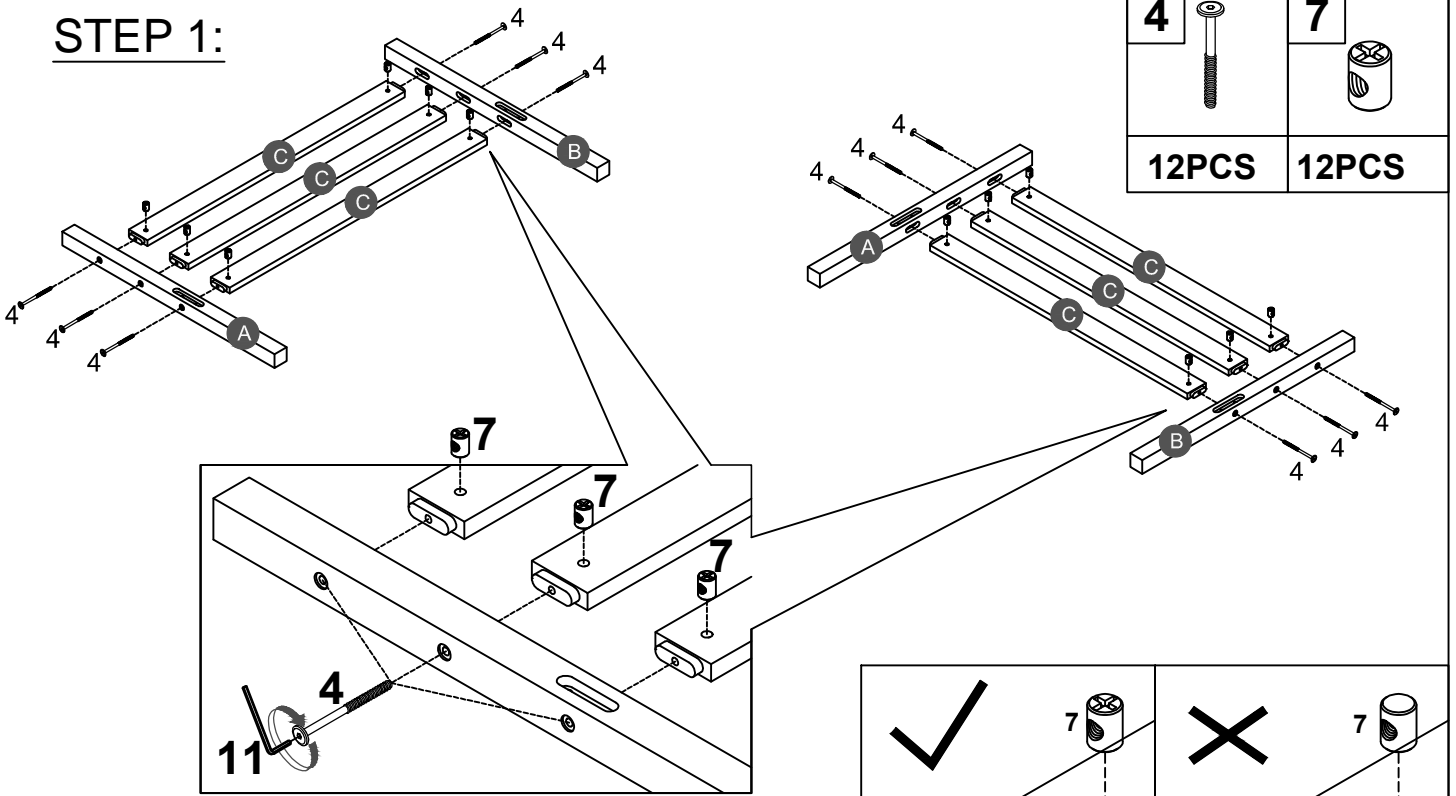
<b>1</b>  Ø10*40mm Wood dowel (6pcs)	<b>2</b>  Ø9*90mm Connecting bar (4pcs)	<b>3</b>  (Ø15)1/4"*100mm Hex-Head bolts (22pcs)
<b>4</b>  (Ø15)1/4"*80mm Hex-Head bolts (24pcs)	<b>5</b>  (Ø12)1/4"*60mm Hex-Head bolts (6pcs)	<b>6</b>  (Ø12)1/4"*30mm Hex-Head bolts (6pcs)
<b>7</b>  1/4"*15 (9.5mm) Horizontal-hole bolts(52pcs)	<b>8</b>  (Ø12)1/4"*40mm Hex-Head bolts (6pcs)	<b>9</b>  40*18*18*2mm Metal bracket (2pcs)
<b>10</b>  95*95*18*3mm Metal bracket (2pcs)	<b>11</b>  (1/4")4.5*58mm Allen key (1pc)	<b>12</b>  Ø4*30mm Wood screws (48pcs)
<b>13</b>  100*63*20mm Wheels (4pcs)	<b>14</b>  Ø3.5*15mm Wood screws (16pcs)	

## ASSEMBLY TOOLS REQUIRED ( NOT INCLUDED )

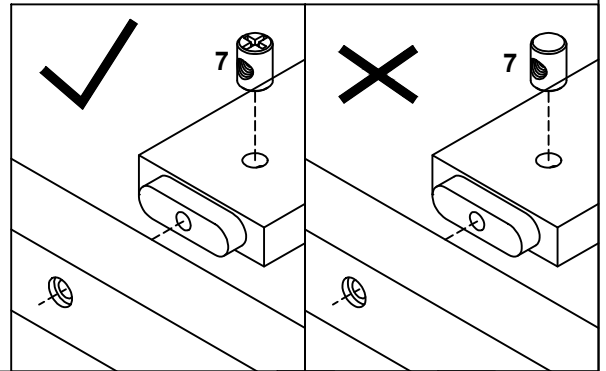


PLEASE BE CAREFUL DO NOT DAMAGE THE HOLE POSITION WHEN YOU USE POWER TOOLS !

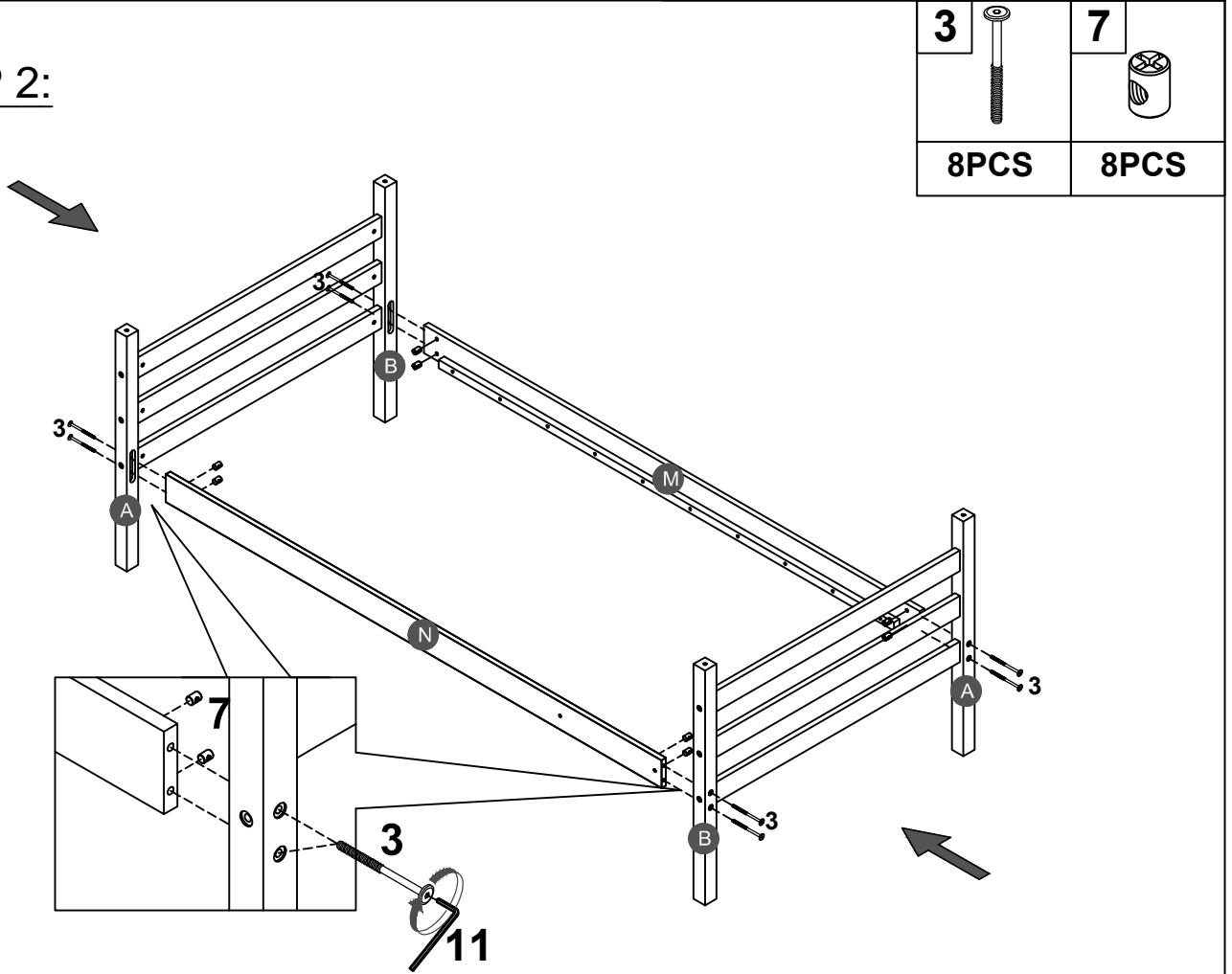
# STEP 1:



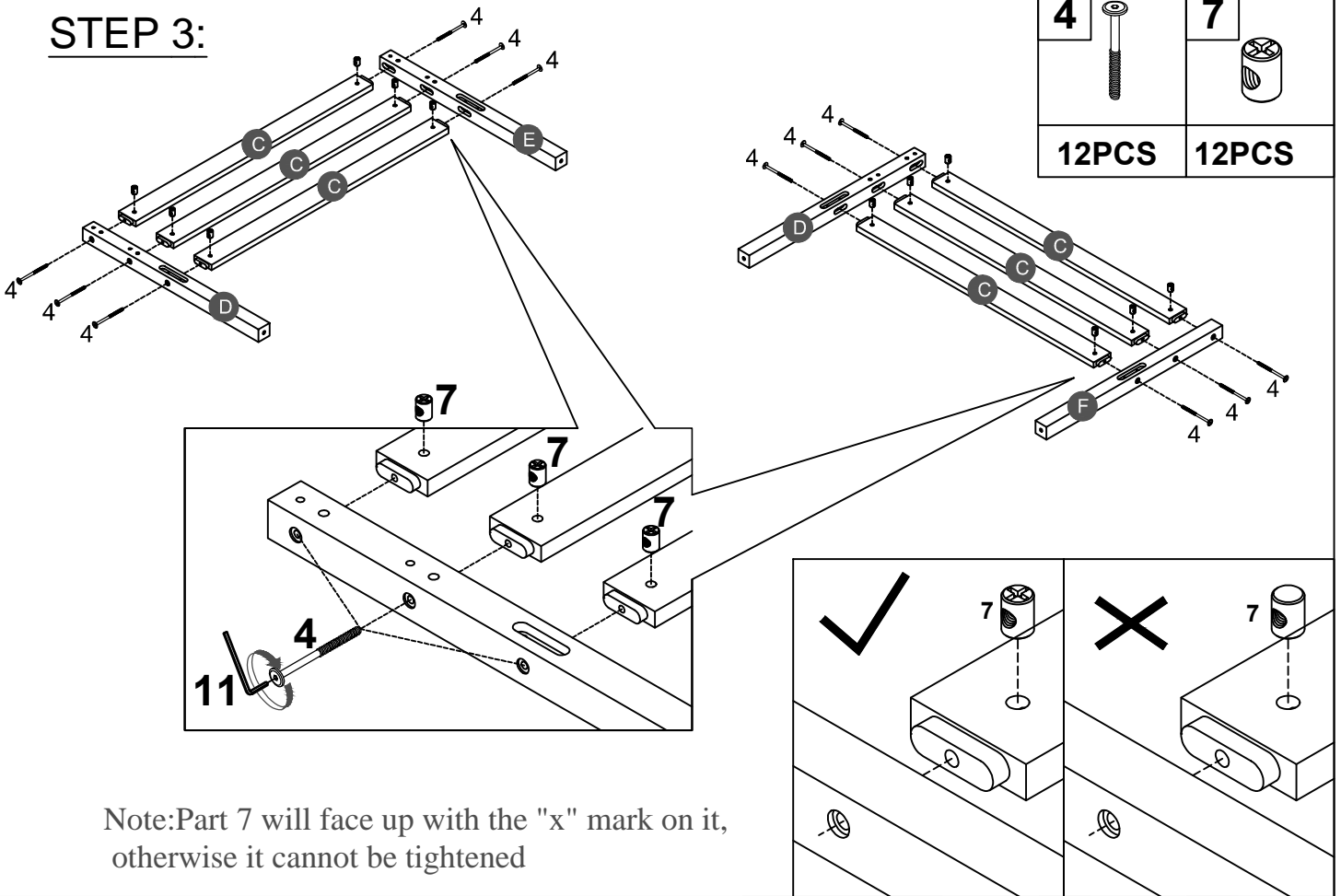
Note: Part 7 will face up with the "x" mark on it, otherwise it cannot be tightened



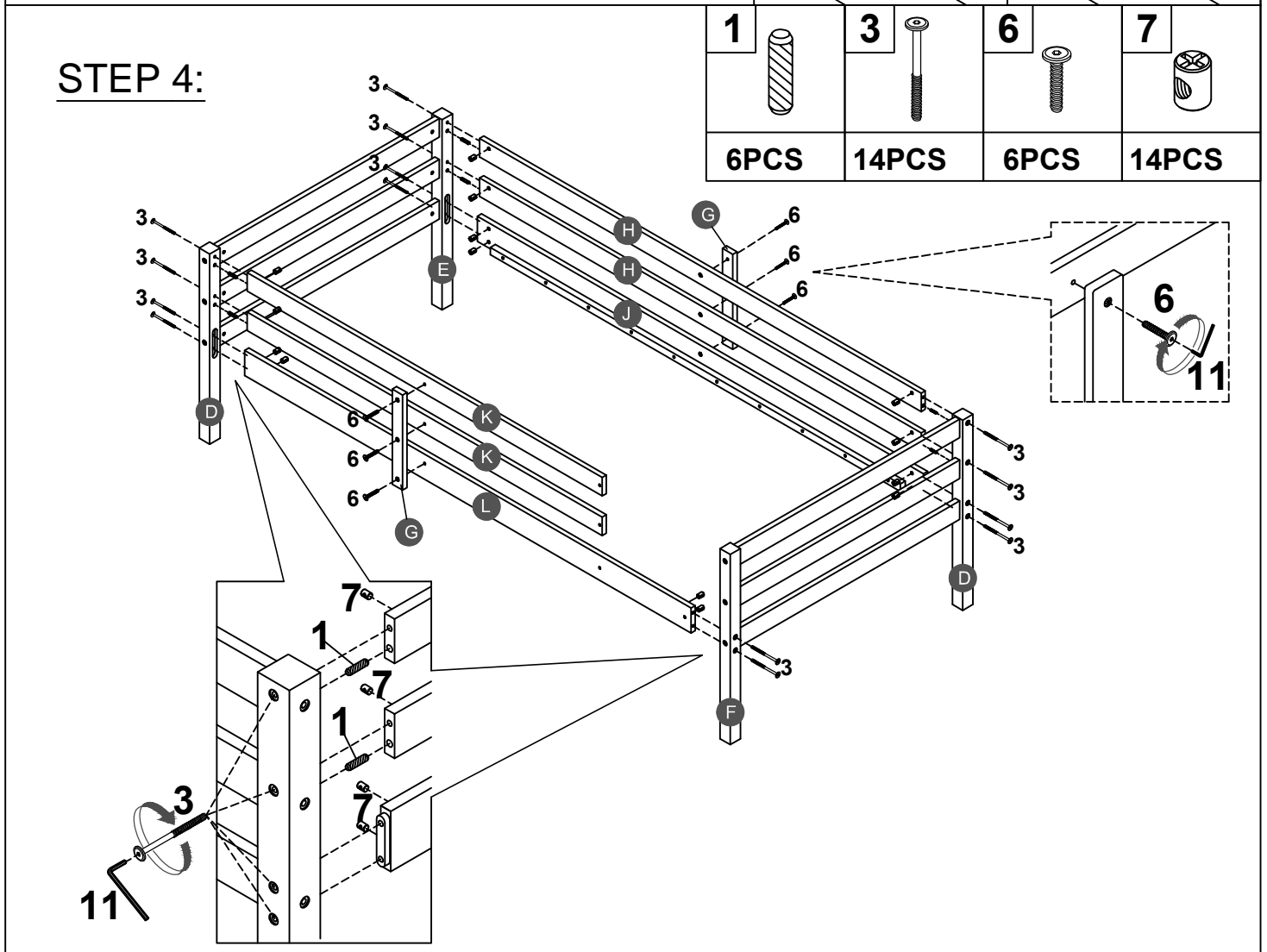
# STEP 2:




### STEP 3:

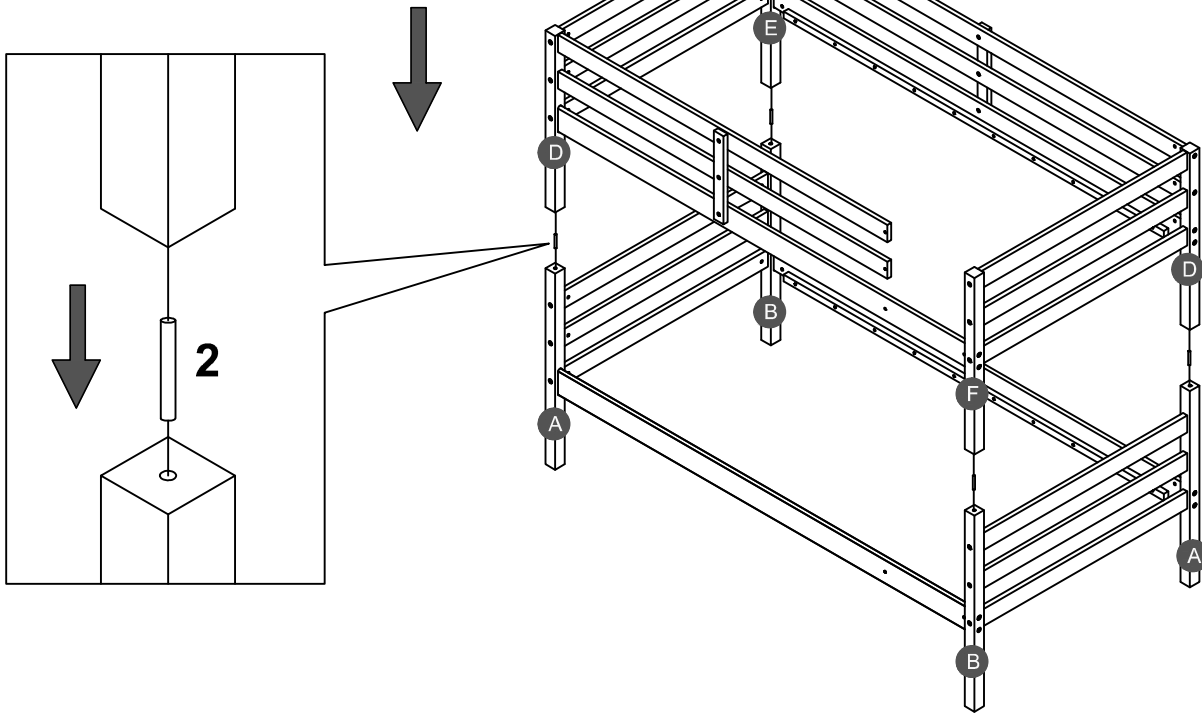


### STEP 4:





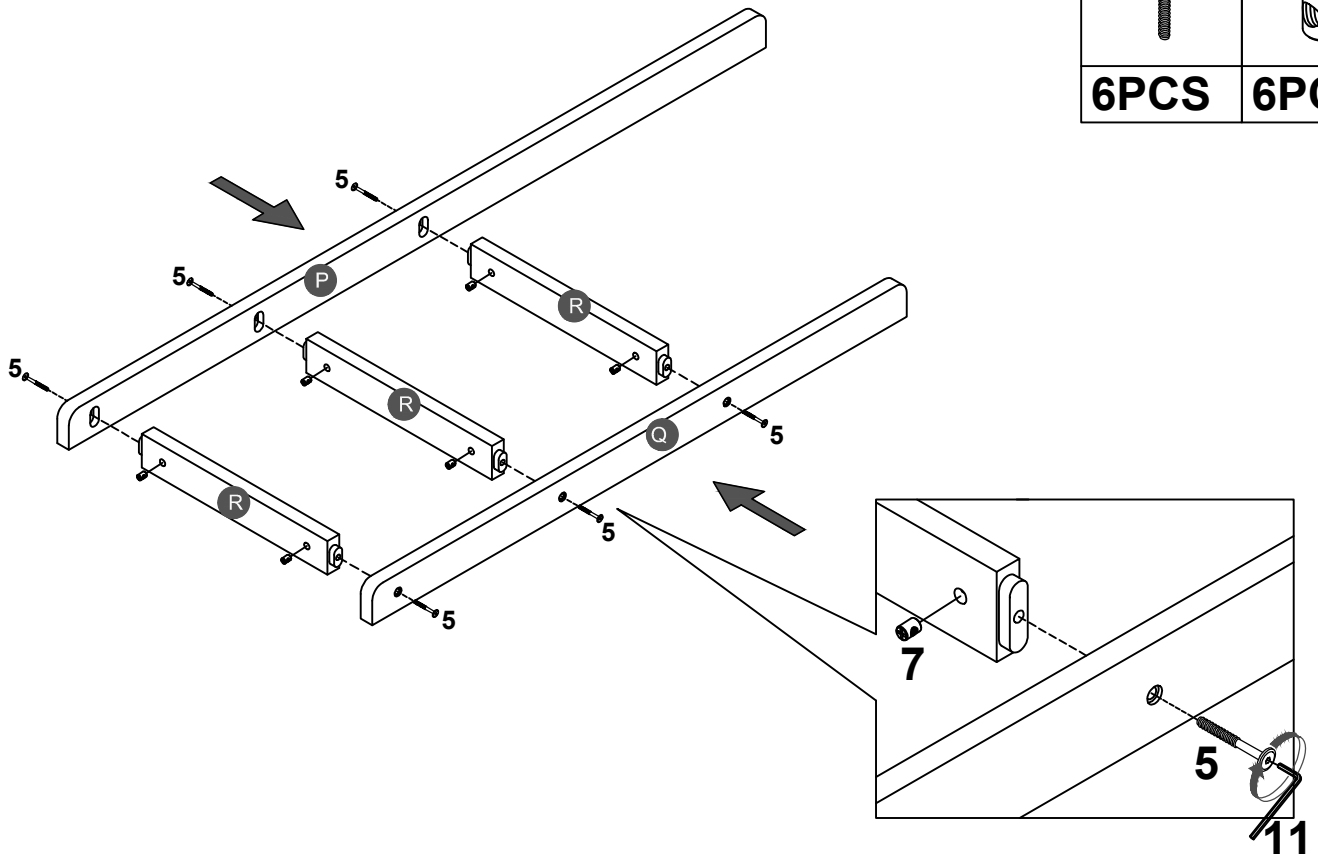
**STEP 5:**

<b>2</b>	
<b>4PCS</b>	




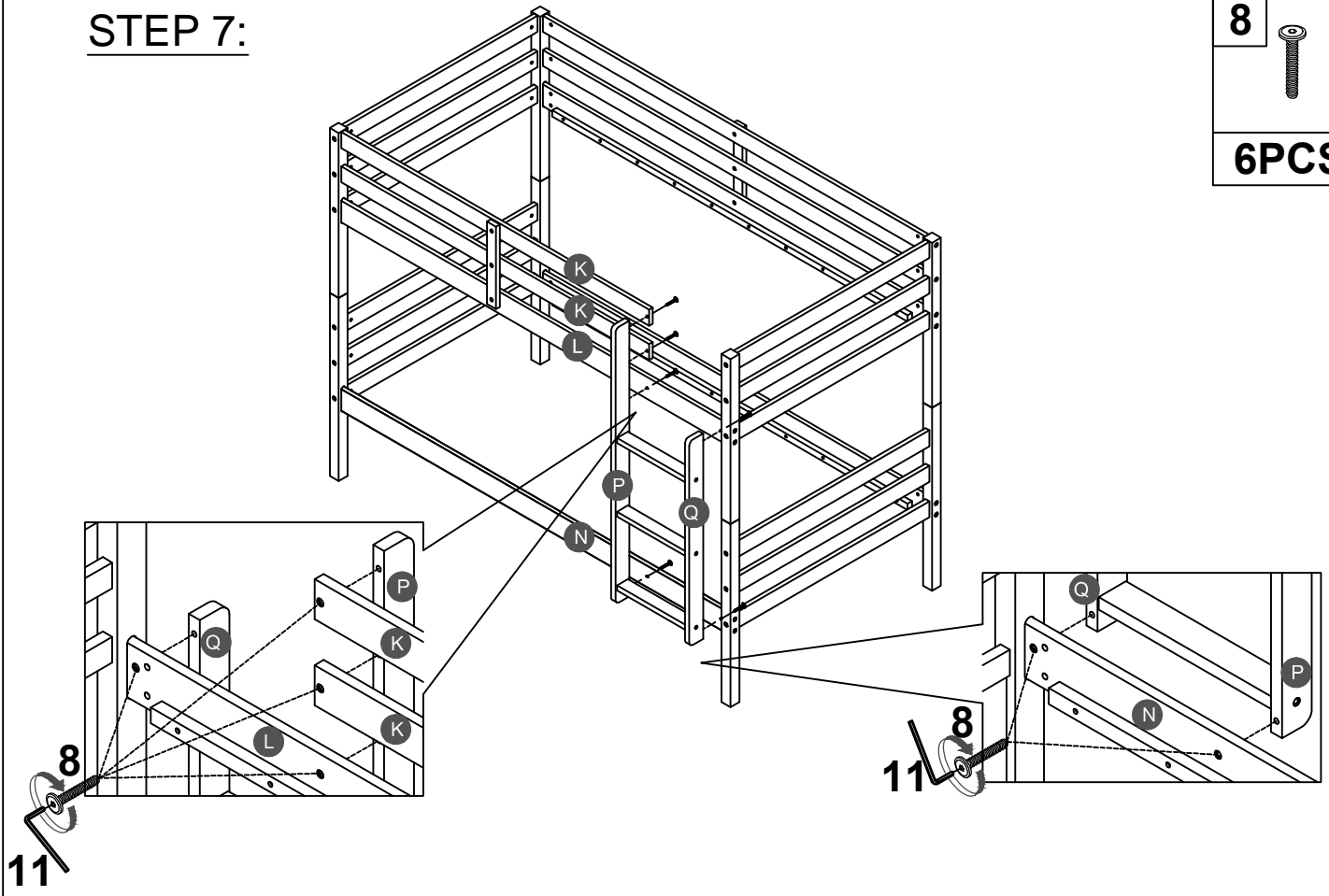
**STEP 6:**

<b>5</b>		<b>7</b>	
<b>6PCS</b>		<b>6PCS</b>	




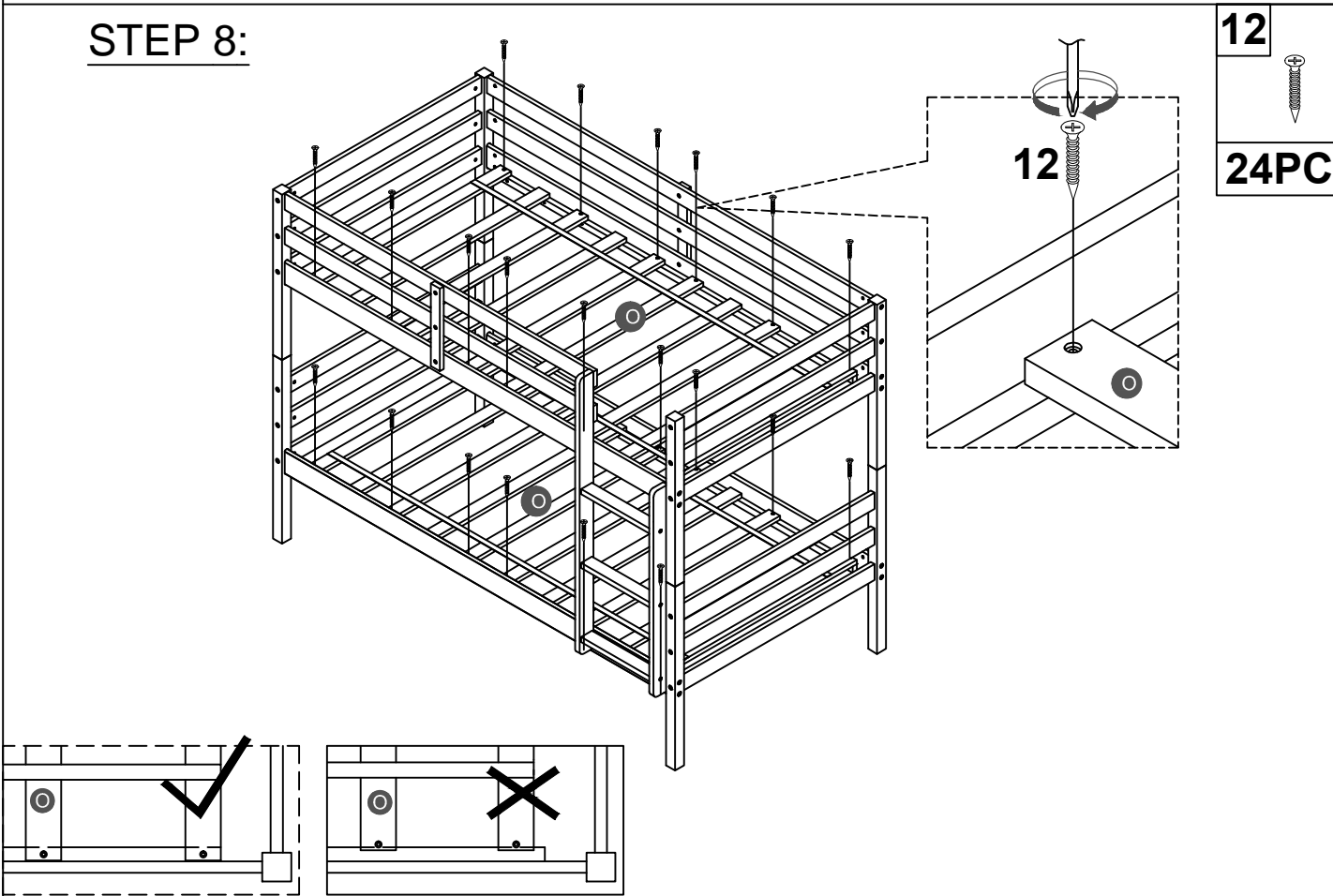
**STEP 7:**

**8**  
  
**6PCS**



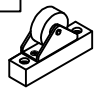

**STEP 8:**

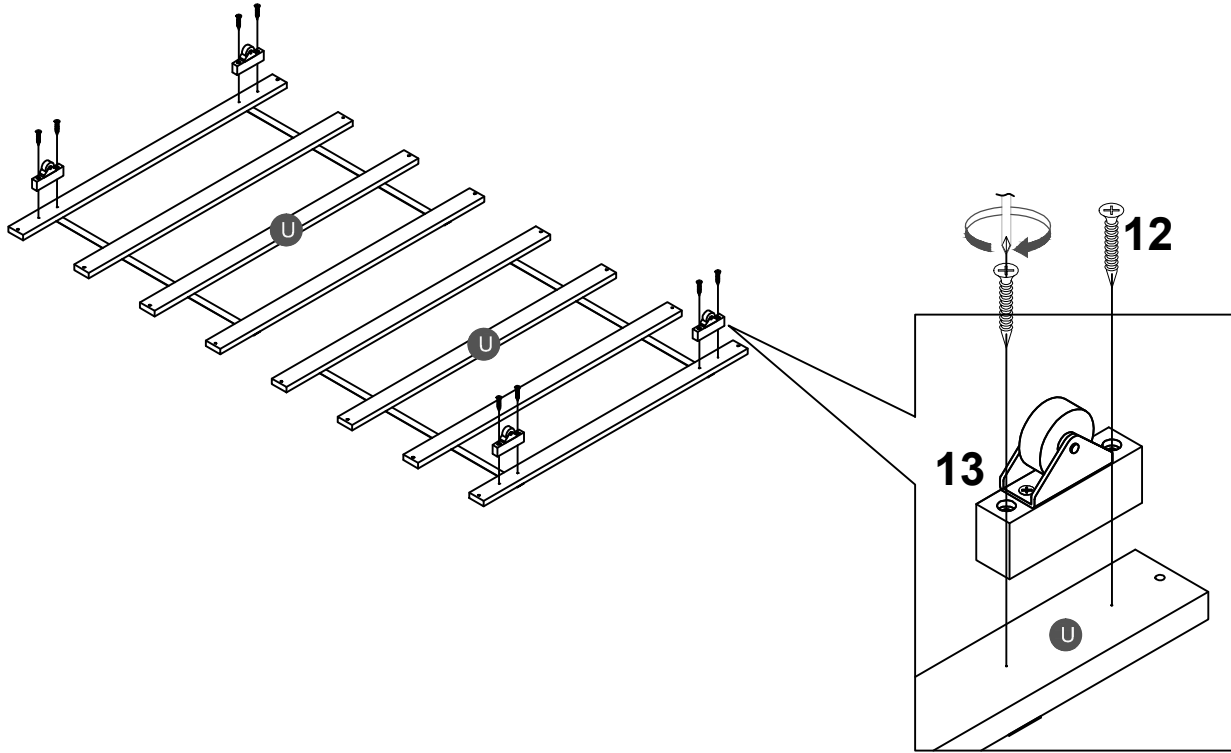
**12**  
  
**24PCS**




Note: Do not lock the screws of the bed slats to the outermost edge of the bed slats, you need to leave a certain space at the edges, otherwise it will cause the board to break

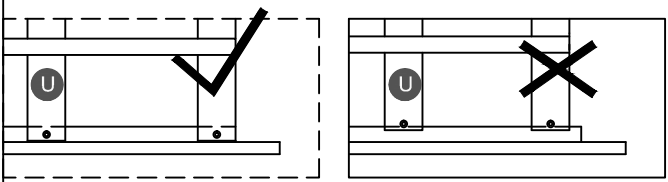
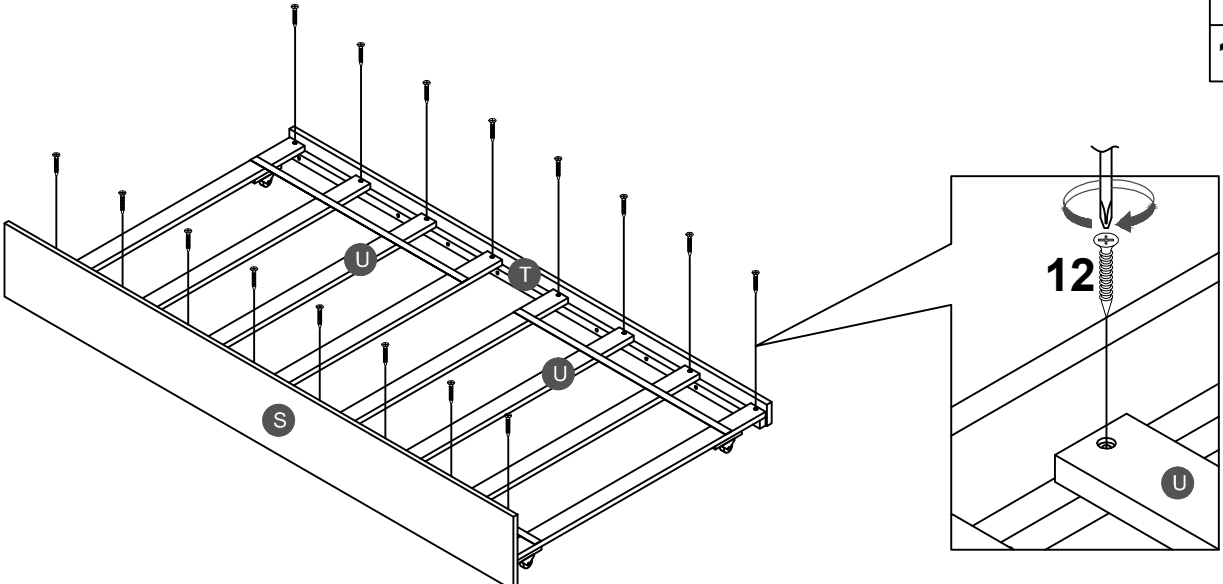
**STEP 9:**

<b>13</b> 	<b>12</b> 
<b>4PCS</b>	<b>8PCS</b>



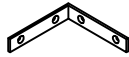

**STEP 10:**

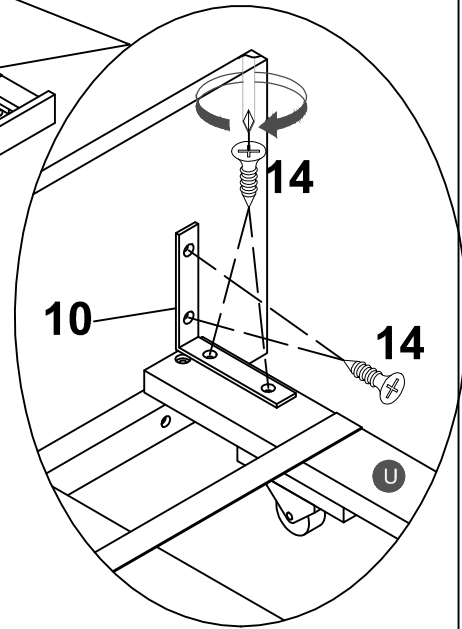
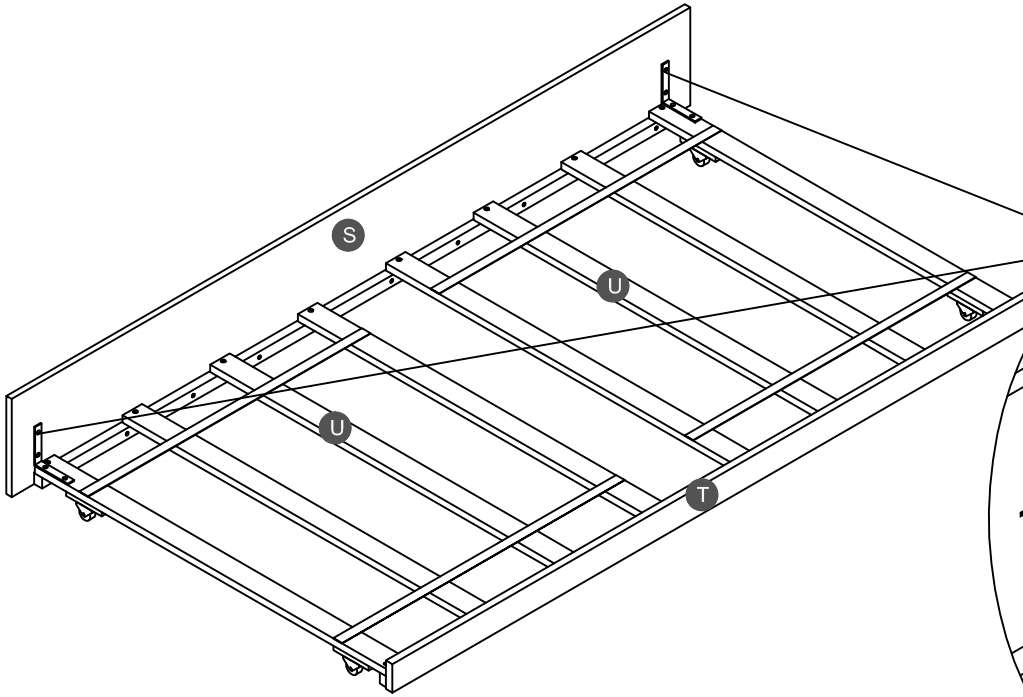
<b>12</b> 
<b>16PCS</b>




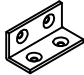
Note: Do not lock the screws of the bed slats to the outermost edge of the bed slats, you need to leave a certain space at the edges, otherwise it will cause the board to break

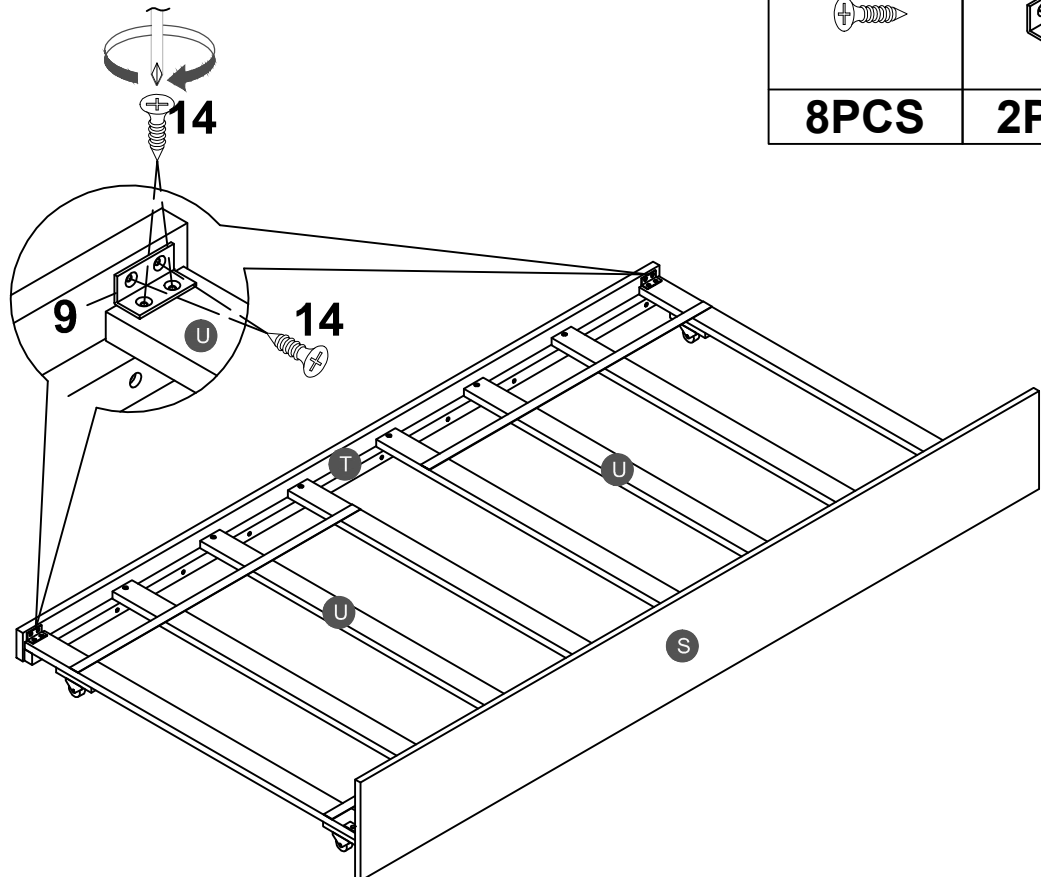
**STEP 11:**

<b>10</b>	<b>14</b>
	
<b>2PCS</b>	<b>8PCS</b>

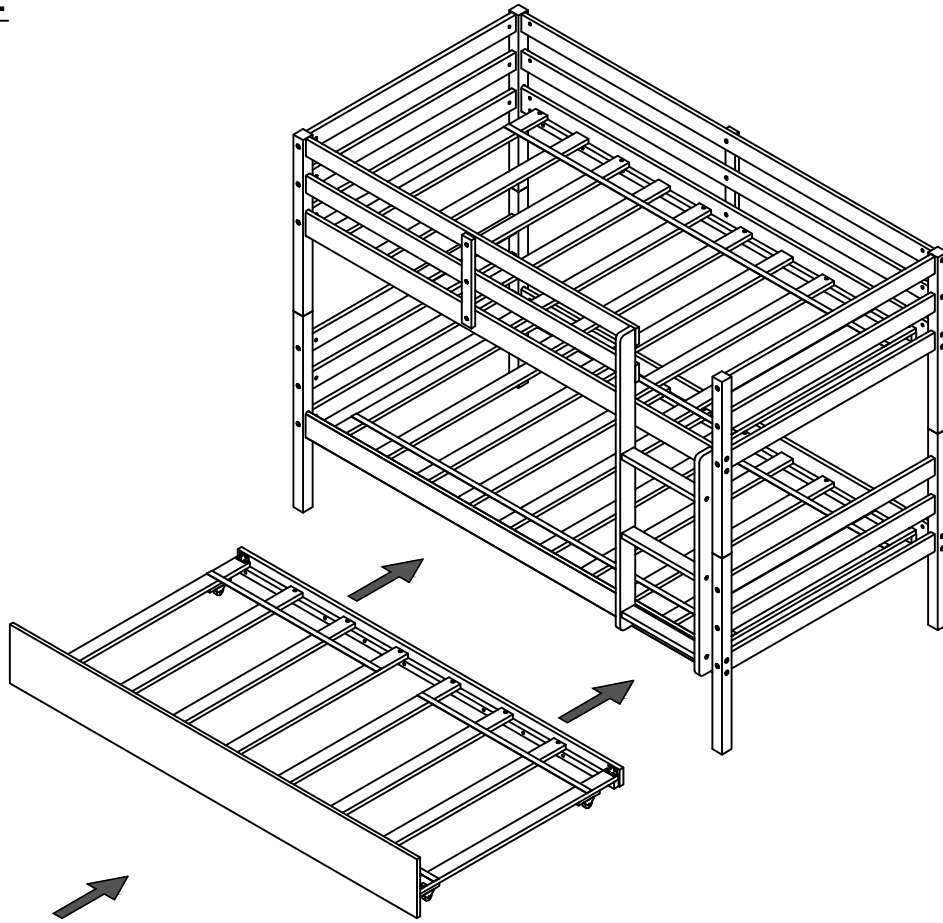


**STEP 12:**

<b>14</b>	<b>9</b>
	
<b>8PCS</b>	<b>2PCS</b>



**STEP 13:**



Push Trundle under the bottom of Bunkbed.

