



Underscore® Rectangle

60" x 36" drop-in BubbleMassage™ air bath and whirlpool
K-1849-XH2G

Features

- 122 airjets release thousands of bubbles that surround, support, and massage the body.
- Variable-speed blower lets you adjust airjet massage intensity to 18 levels.
- Zones of Control™ feature allows you to target massage to back, midsection, or feet.
- 8 hydromassage jets can be individually adjusted for water flow and direction.
- Variable-speed pump for adjusting hydromassage intensity.
- Built-in heater.
- Lighted keypad controls.
- Sloping backrest provides comfort.
- Slotted overflow allows for deep soaking.
- Automatic and manual purge cycles remove residual water from air channels after use.

Material

- Acrylic.

Hydrotherapy

- BubbleMassage™.
- Whirlpool.

Installation

- Reversible drain.
- Requires K-7271 or K-7272 Clearflo slotted overflow bath drain and K-9698 jet trim kit (sold separately).
- Undermount.
- Requires 240 V hard-wired electrical service.
- Under-mount installation requires kit K-534 (sold separately).

Required Products/Accessories

K-7271 Brass Slotted Overflow Bath Drain

or

K-7272 PVC Slotted Overflow Bath Drain

or

K-9698 Flexjet® Whirlpool Trim Kit

Recommended Products/Accessories

- K-9497 2-1/2" Keypad Trim
- K-24916 Wireless Music Kit
- K-534 Under-Mount Installation Kit
- K-1491 Bath/Whirlpool Pillow
- K-1601 Bath/whirlpool footstop, removable
- K-1177 Vinyl Tiling-in Bead
- K-23726 Drain treatment
- K-23732 Tub & shower cleaner



Codes/Standards




ASME A112.19.7/CSA B45.10
CSA B45.5/IAPMO Z124
ASTM E162
ASTM E662
UL 1795
CSA C22.2 No. 218.2

KOHLER® Plastic Baths and Receptors Lifetime Limited Warranty KOHLER® Hydrotherapy Components Five-Year Limited Warranty

See website for detailed warranty information.

Available Colors/Finishes

Color tiles intended for reference only.

Color	Code	Description
	G9	Sandbar
	33	Mexican Sand™
	K4	Cashmere

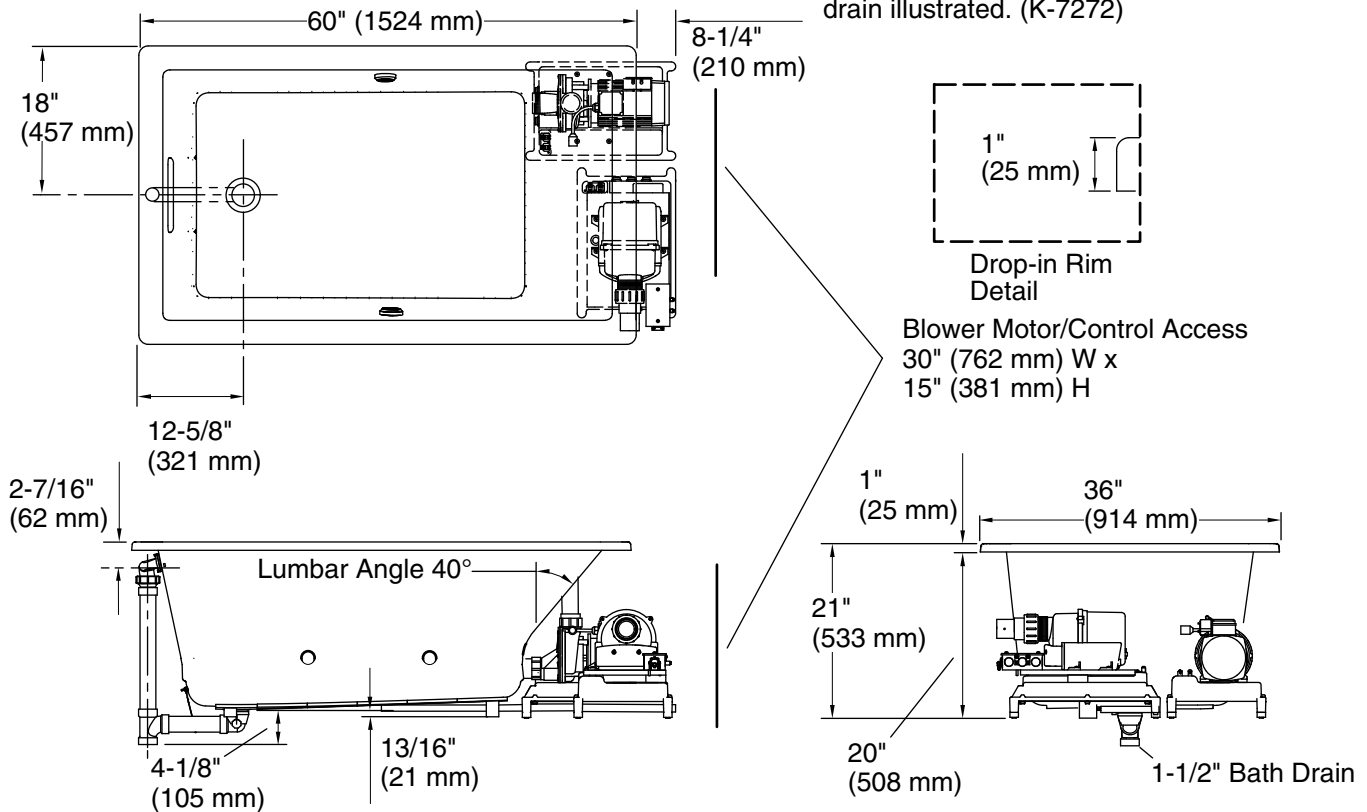


Underscore® Rectangle

60" x 36" drop-in BubbleMassage™ air bath and whirlpool

K-1849-XH2G

No change in measurement if connected with drain illustrated. (K-7272)



Required Electrical Service

One dedicated circuit required, protected with Class A Ground-Fault Circuit-Interrupter (GFCI). Outside North America, this device may be known as a Residual Current Device (RCD).

Pump, Blower, 240 V, 20 A, 50/60 Hz
Heater:

Technical Information

All product dimensions are nominal.

Installation: Undermount
 Drain location: End
 Basin area, bottom: 39-9/16" x 24-11/16" (1005 mm x 627 mm)
 Basin area, top: 53-5/8" x 29-1/2" (1362 mm x 749 mm)
 Weight: 170 lbs (77.1 kg)
 Minimum floor load: 56.8 lbs/ft² (277.3 kg/m²)
 Water depth: 17-1/8" (435 mm)
 Water capacity: 81.1 gal (307 L)
 Template: Under-mount, K-534, not required, not included
 Electrical component rating: Pump: 240 V, 11 A, 50/60 Hz
 Blower: 240 V, 5 A, 50/60 Hz
 Heater: 240 V, 50/60 Hz, 1500 W

Notes

Measure your actual product for rough-in details.

Install this product according to the installation instructions.

The hot water supply should be 70% of the capacity of the bath or greater. Installations will vary.

IMPORTANT! Dry fit the drain assembly prior to installing the bath. The bath cannot be installed with all drain components attached.

Kit is required for under-mount installations (sold separately).

The pump base extends 8-1/4" (210 mm) beyond the edge of the rim. Modify the framing as needed.

1-800-4KOHLER (1-800-456-4537)

Kohler Co. reserves the right to make revisions without notice to product specifications.

For the most current Specification Sheet, go to www.kohler.com.

5-29-2021 16:07 - US//CA

