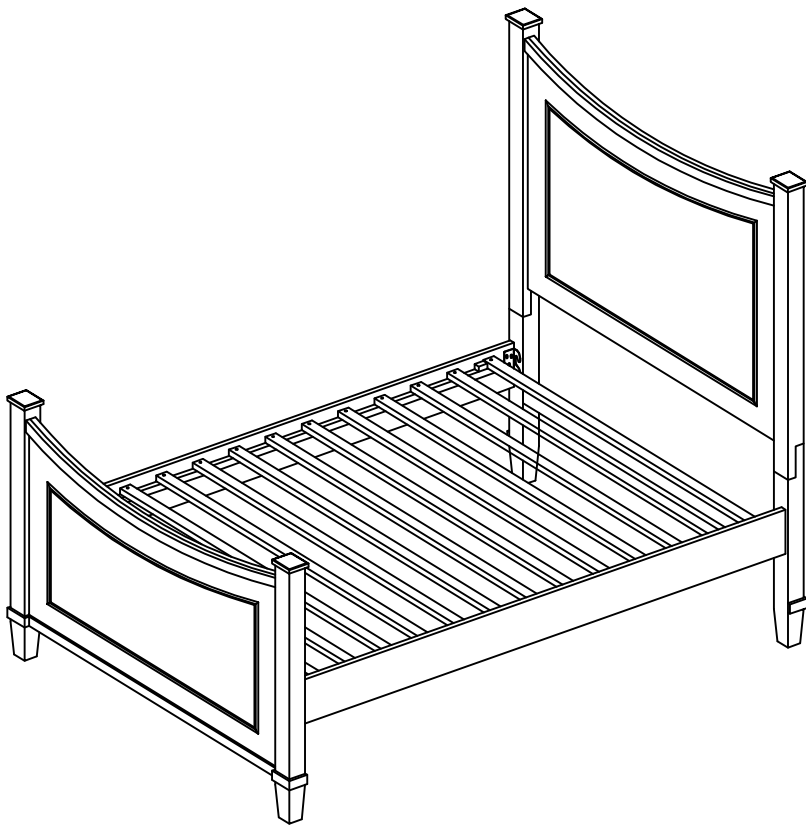


ASSEMBLY INSTRUCTIONS



TOOLS REQUIRED



Allen Wrench
(Included)



Phillips
Screwdriver
(Not Included)



2 - People
Recommended

ASSEMBLY RATING



EASY —————> DIFFICULT

The Assembly Rating is a 5-point system showing the level of effort needed to assemble a specific product.



CHECK BEFORE STARTING

Are you missing anything?

Double-check all parts, hardware and accessories listed are all accounted for.

Check out our Quick Tips!

We recommend reviewing the pre-assembly handouts. Even experts need a refresher now and then!

Should we send any replacements?

Are there any irregularities or flaws in the parts? We can send replacements!

Prep Time!

Please review the assembly instructions and all diagrams prior to assembling.

PRE ASSEMBLY INTRODUCTION

We understand building ready-to-assemble furniture can be a challenging experience for some. To help avoid confusion, we have provided some helpful tips that may speed up the process.



Teamwork

ALWAYS have at least two people to help with transporting and assembling the product to avoid potential injury and/or damage.



Suitable Location

Assembling near the area of the intended location is highly recommended.



Sufficient Space

Make sure you have enough space to move around during the assembly.



Avoid Scratches

Use cardboard, blankets or a carpeted area while assembling furniture to prevent to prevent scratches and damages.



Flat Surface

Make sure the furniture rests on a flat and level surface with each leg evenly touching the floor.

ASSEMBLY AND CARE ADVICE



FAILURE TO FOLLOW THE GUIDELINES BELOW MAY RESULT IN INJURY AND/OR PROPERTY DAMAGE.



Position each part correctly and insert screws or bolts into their respective holes.



Turn clockwise to tighten and only tighten when step is completed or when instructed to do so.



Use the appropriate hand tools or power tools for assembly. Select steps, such as tightening screws and/or bolts, may require hand tools to avoid causing damage during assembly.



Save the instructions and store any supplied tools for later maintenance.



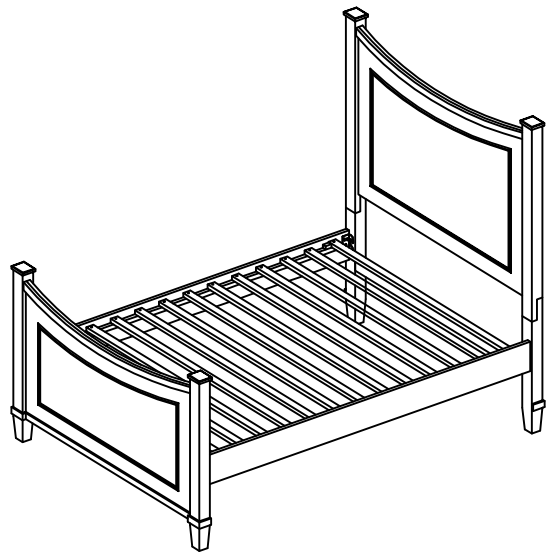
After two weeks, check and tighten any loose hardware and repeat again every six months thereafter.

IT IS THE USER'S RESPONSIBILITY TO MAINTAIN THE FURNITURE. THE HARDWARE MAY LOOSEN OVER TIME AND MAY CAUSE THE FURNITURE TO BE WOBBLY AND UNABLE TO SUPPORT ITS INTENDED WEIGHT CAPACITY. THIS MAY LEAD TO COLLAPSE AND MAY CAUSE SERIOUS INJURY.

TWIN BED

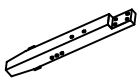


- Please keep instructions for future reference.
- Check the quantity and irregularity of parts and hardware before you start.



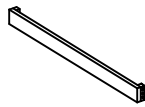
PARTS

#1 2pcs



Head of bed (L.R)

#2 1pc



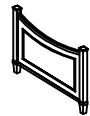
Under the bed

#3 1pc



Bedside

#4 1pc



Bed end

#5 2pcs



Bed path

#6 1set



Bed slat

HARDWARE

#A 10pcs



Bolt

Ø5/16" x 1-3/8"

#B 8pcs



Bolt

Ø5/16" x 5/8"

#C 10pcs



Lock washer

Ø5/16"

#D 10pcs



Washer

Ø5/16" x 19mm

#E 26pcs



Screw

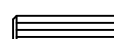
#4 x 1-3/16"

#F 1pc



Allen Key 4mm

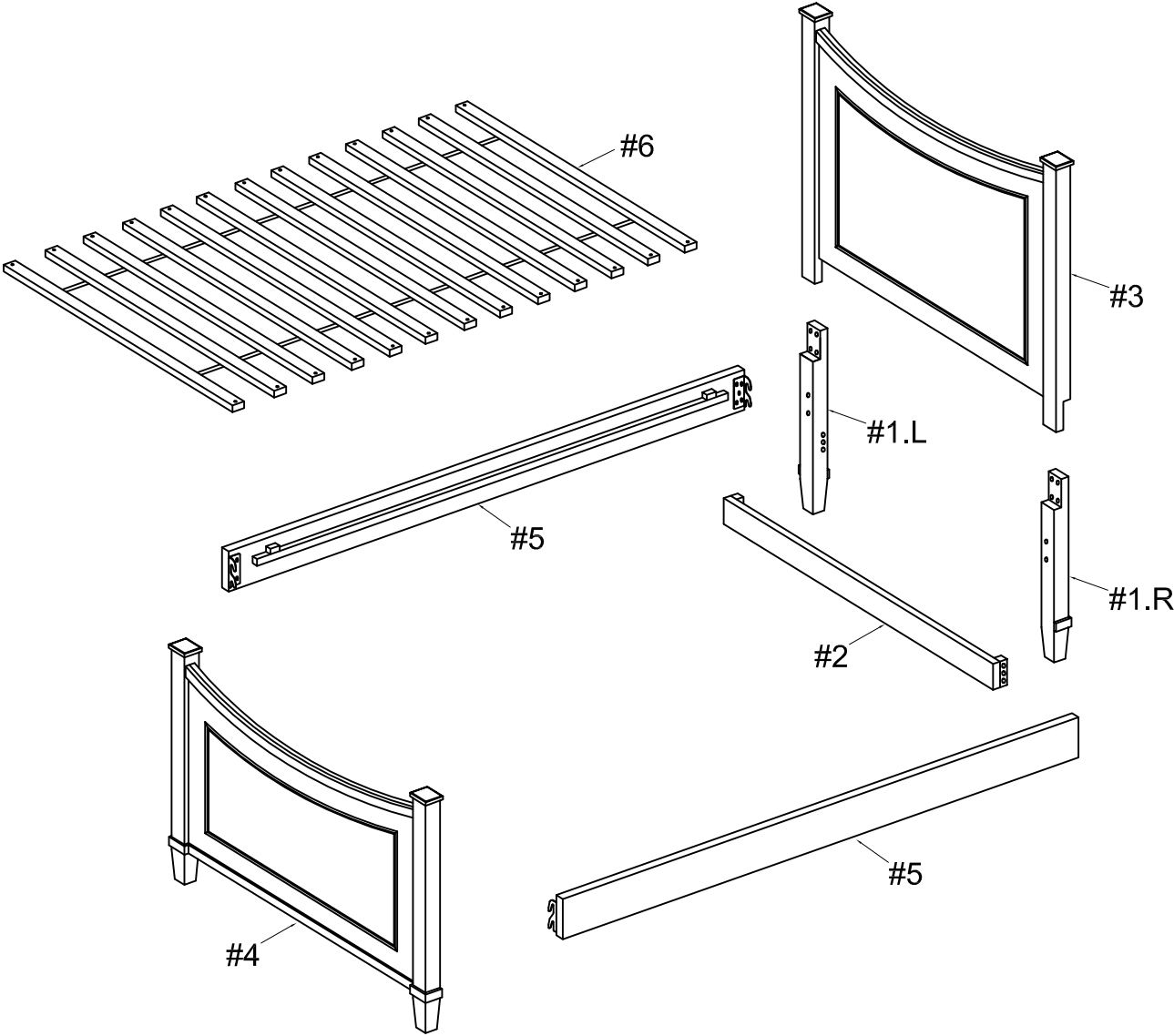
#G 4pcs



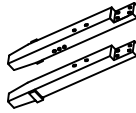







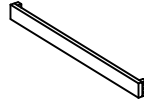




Wood Dowel

Ø8 x 1-3/16"

Exploded View



pack in 2 cases

Carton	Disignation	Part		Hardware
1	Head of bed (L.R)	#1		 #A x 10pcs  #B x 8pcs  #C x 10pcs  #D x 10pcs  #E x 26pcs  #F x 1pcs  #G x 4pcs
	Under the bed	#2		
	Bedside	#3		
	Bed end	#4		
	Bed slat(1set)	#6		
2	Bed path(2pcs)	#5		

ASSEMBLY INSTRUCTIONS

Use the Wood dowels (#G) to align the Under the bed panel (#2) to the Left/Right Head of the bed panels (#1), then secure by using Bolts (#A) with Lock washer (#C) and washer (#D).

1

Part #1 x2pcs

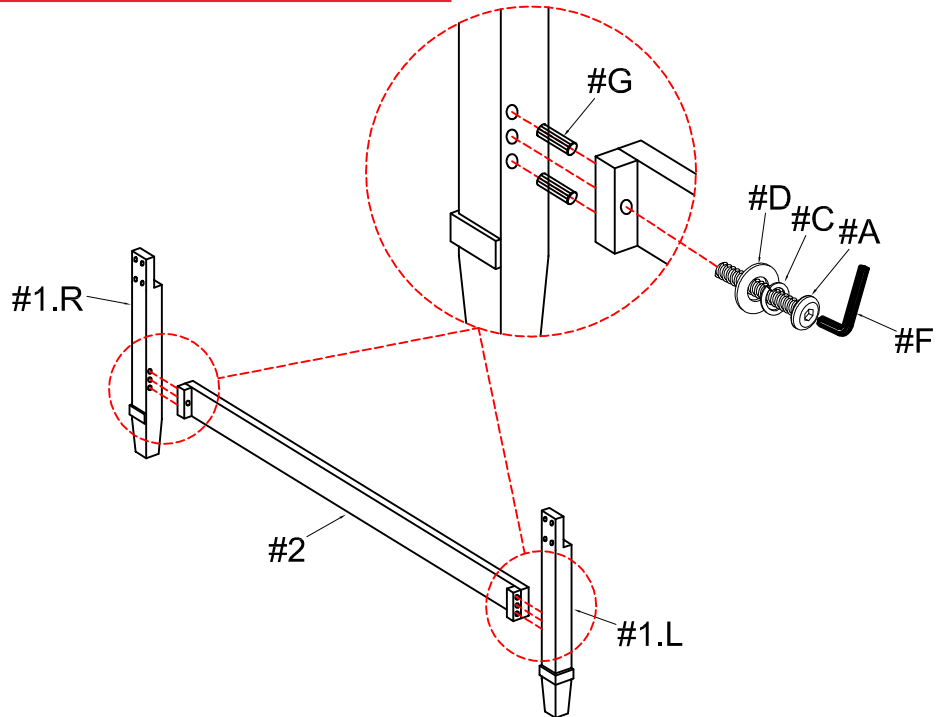
Part #2 x1pc

Hardware #A x2pcs

Hardware #C x2pcs

Hardware #D x2pcs

Hardware #G x4pcs



2

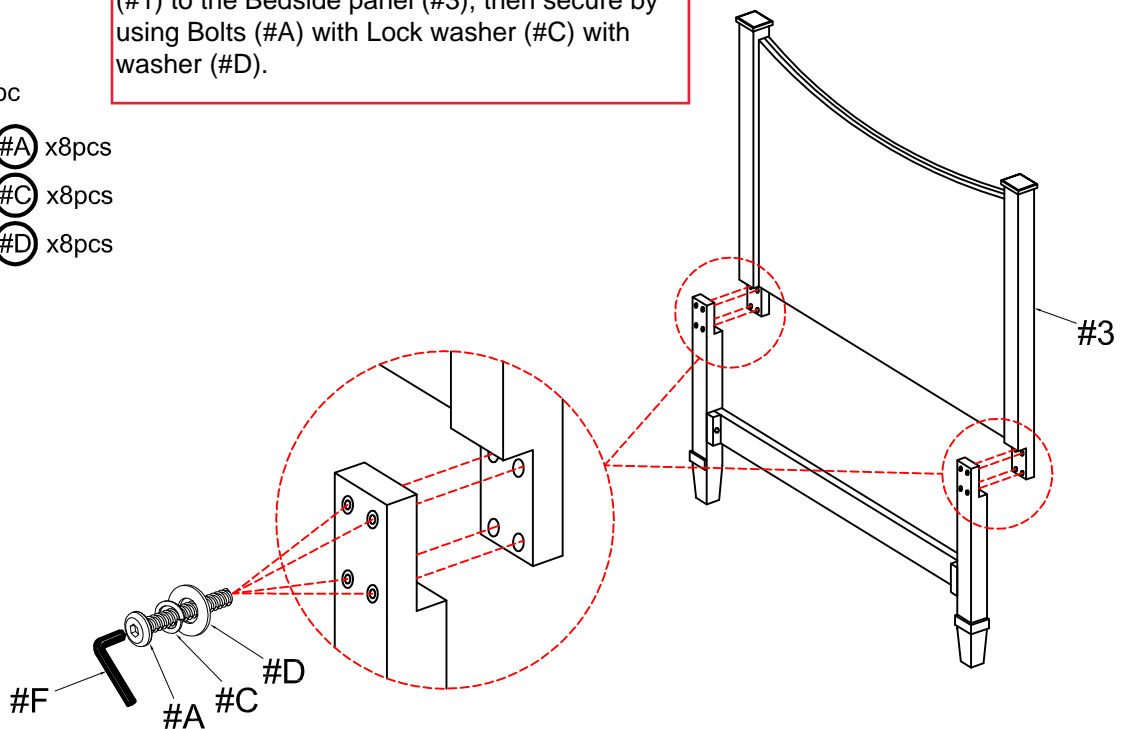
Part #3 x1pc

Hardware #A x8pcs

Hardware #C x8pcs

Hardware #D x8pcs

Align the Left/ Right Head of the bed panels (#1) to the Bedside panel (#3), then secure by using Bolts (#A) with Lock washer (#C) with washer (#D).



ASSEMBLY INSTRUCTIONS

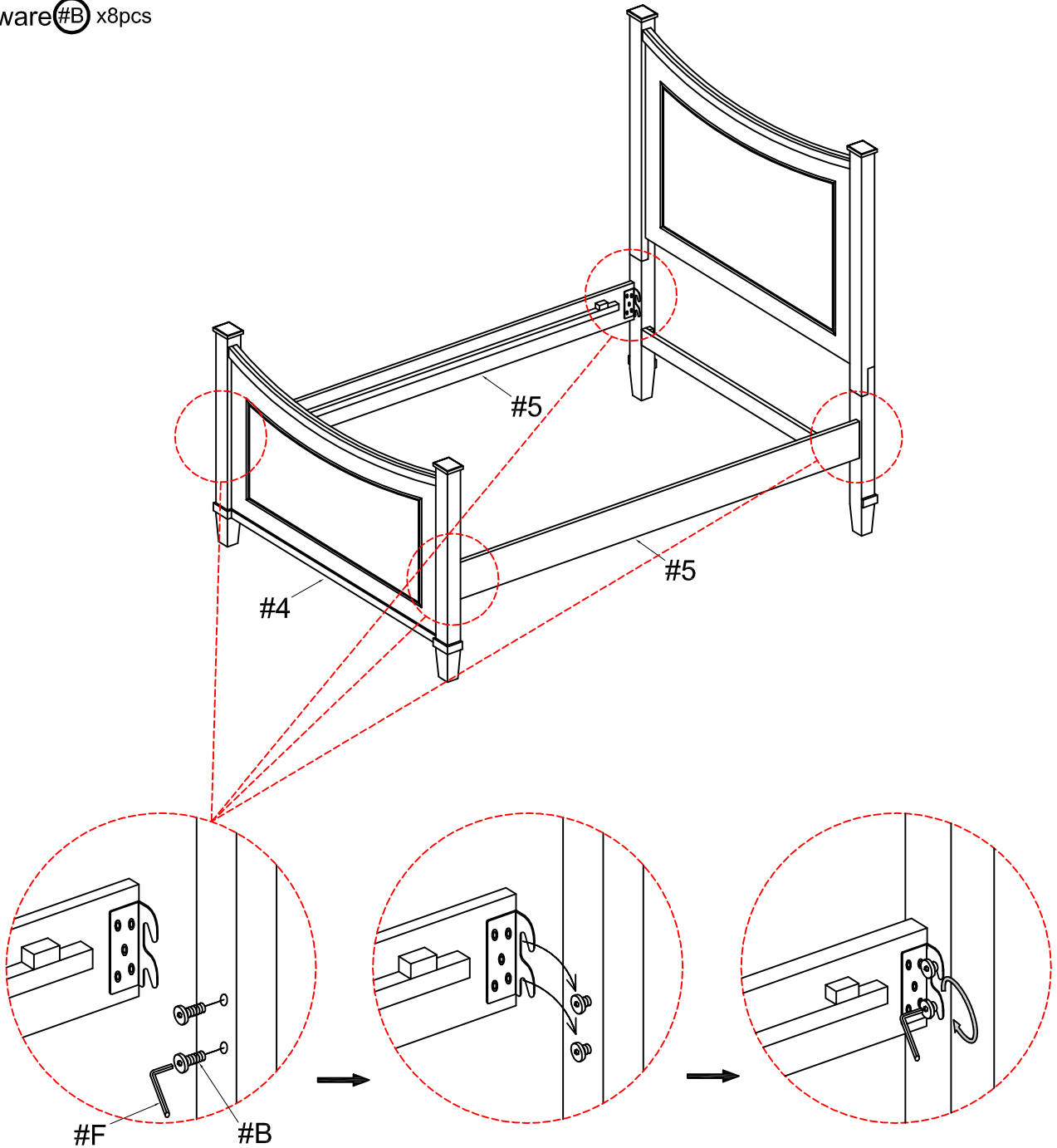
3

Part #4 x1pc

Part #5 x2pcs

Hardware #B x8pcs

- I. Attach the Bolt (#B) to the Bedside Panel (#3).
- II. Hook the Bed path panels (#5) onto the bolts.
- III. Then tighten the bolt down to secure the rails.
- V. Repeat steps to attach the Bed Path panels (#5) to the Bed end (#4).



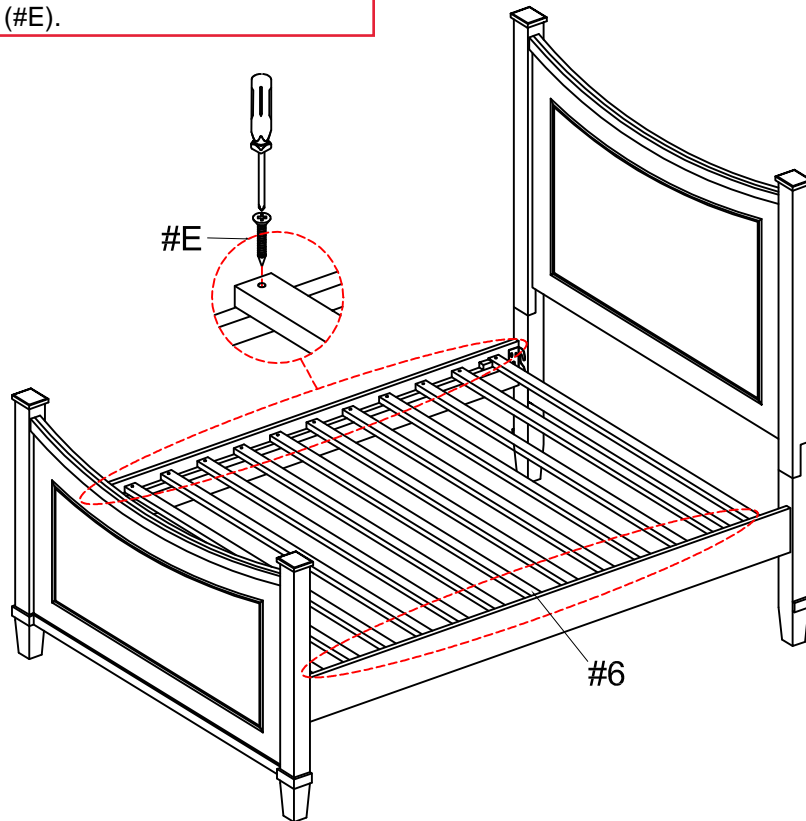
ASSEMBLY INSTRUCTIONS

Align the bed slats (#6) to the Bed path panels (#5), then secure by using Screws (#E).

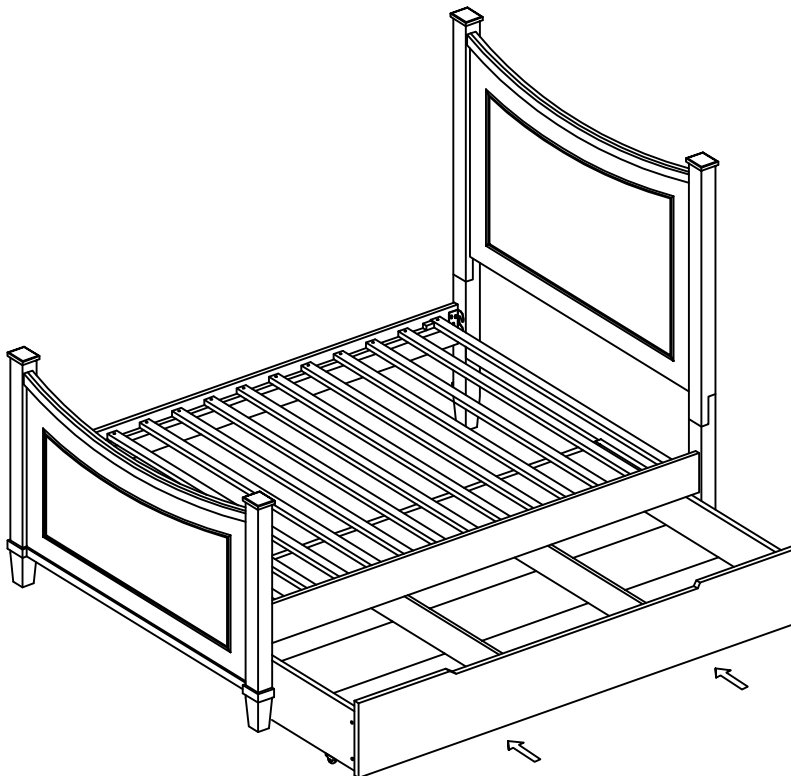
4

Part #6 x1set

Hardware #E x26pcs



5



ASSEMBLY COMPLETED



Please ensure the furniture rests on an even and flat surface. If the product wobbles or feels loose, double-check all bolts and/or screws are properly tightened and secured.

✓ Keep this handy!

Please retain this instruction manual and any order-related information for future reference.

✓ Lift, don't drag!

To avoid damage to product please always LIFT the product when transporting or adjusting the placement.