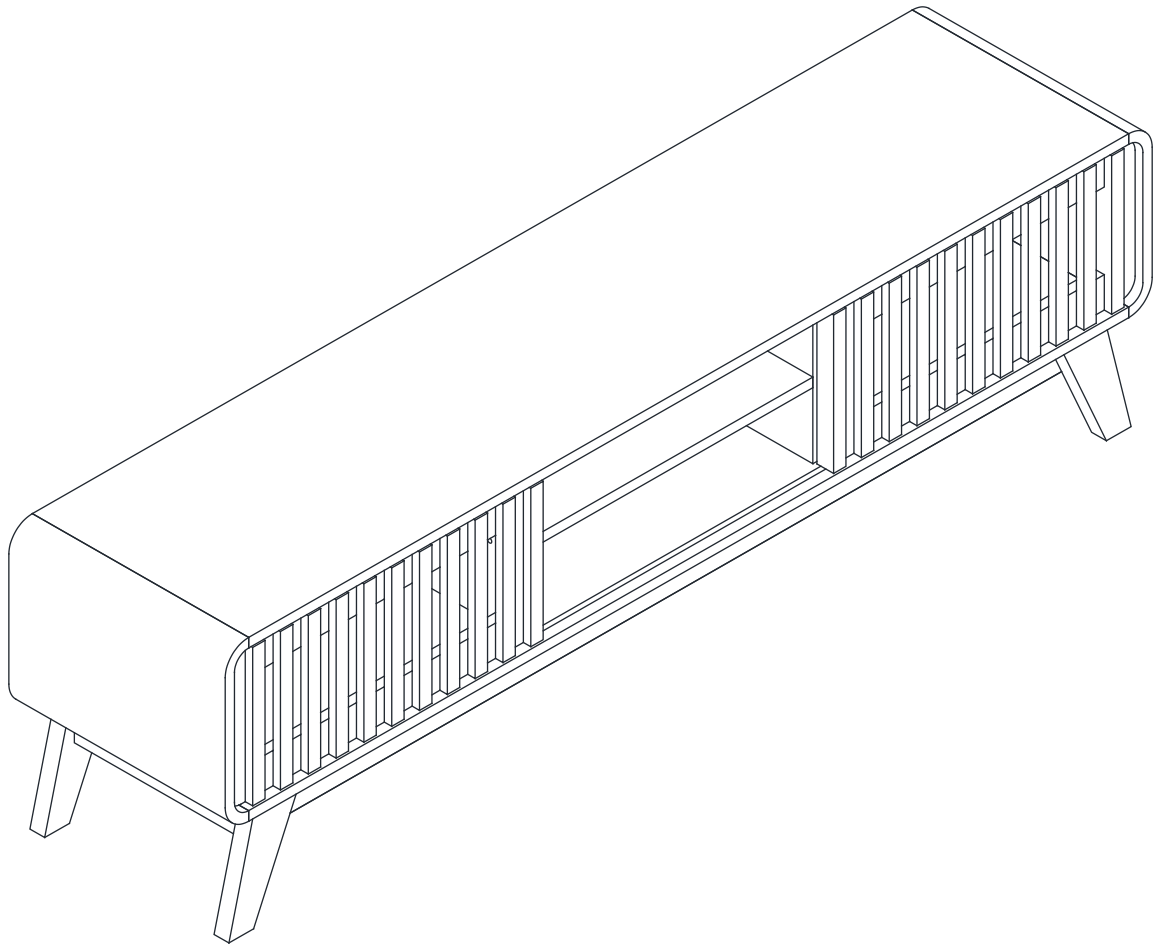


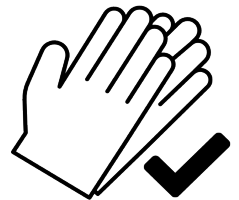
TV STAND

Assembly Instructions



ATTENTION PLEASE:

1. Please follow the instruction for assembly and preferably on a mat to avoid damage to the product.
2. We recommend assembly by 2 or more people!
3. Ideal installation time is 120 minutes.
4. Not intended for children.
5. Keep away from fire or other heat sources.
6. We recommend that you wear protective gloves during assembly.
7. If you can have power tools to assemble this furniture, the tedious task will be much easier.

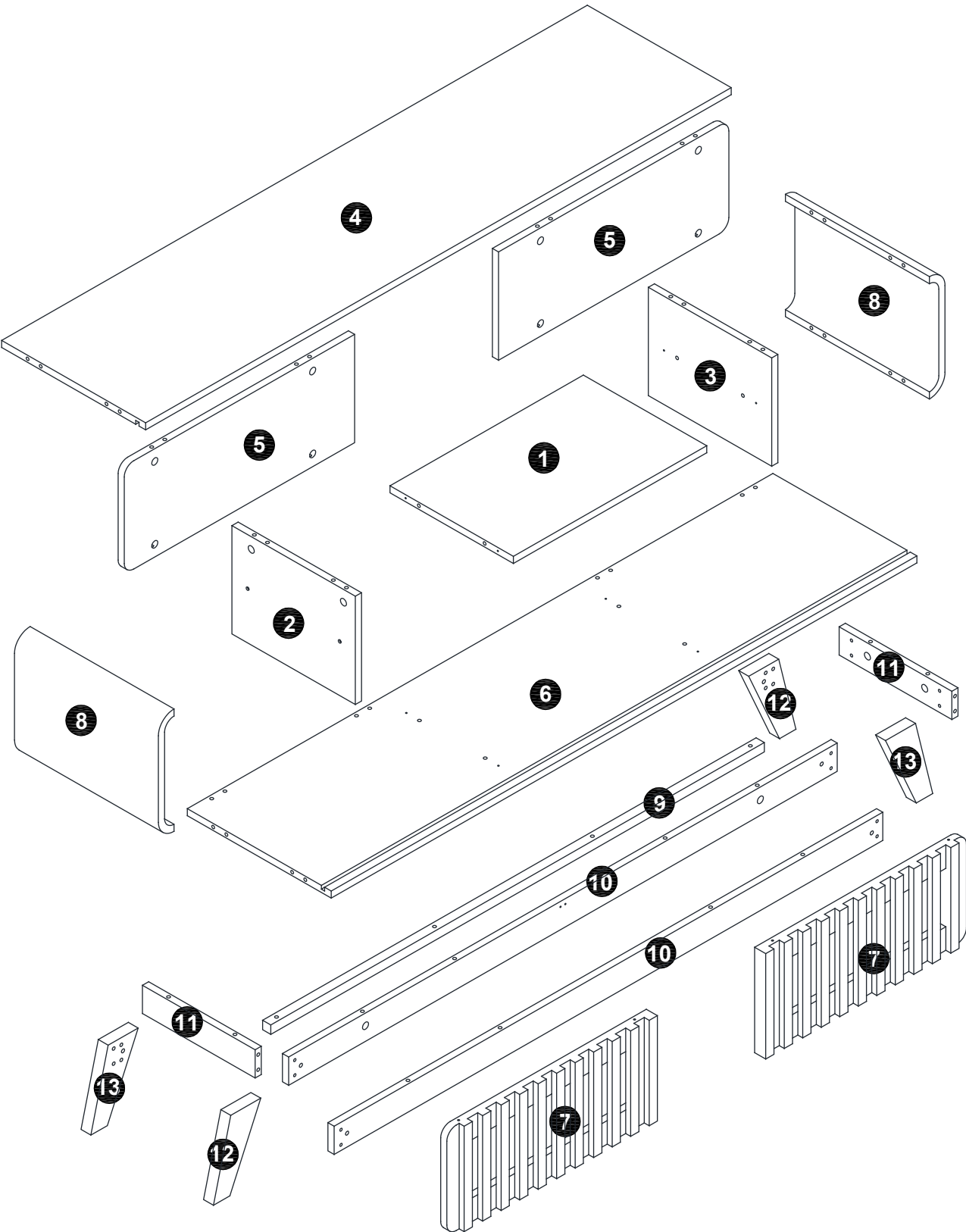


If you are not entirely satisfied with your purchase, please feel free to contact us using the following steps:

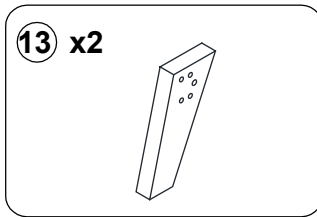
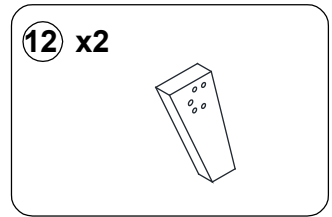
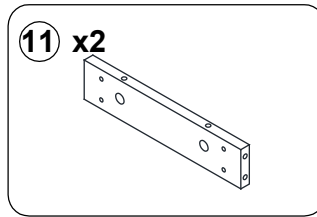
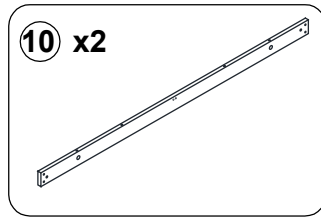
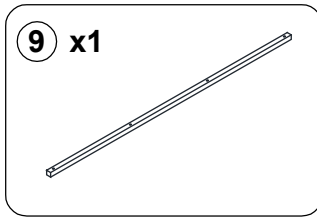
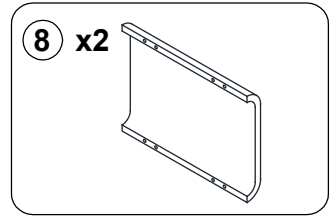
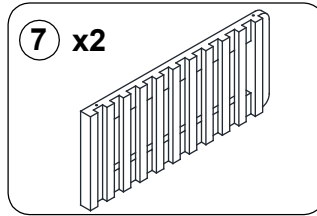
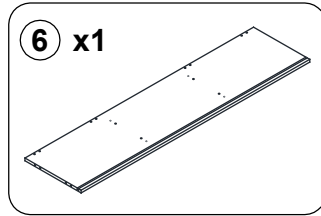
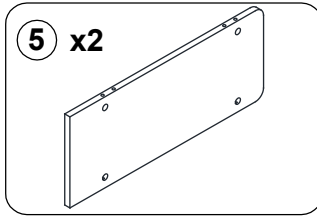
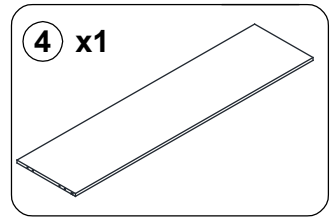
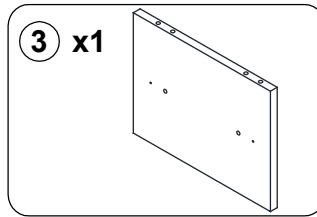
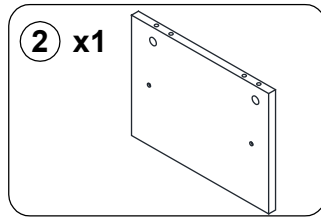
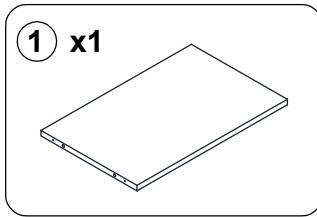
1. Go to Your Orders.
2. Find your order in the list.
3. Select Problem with order
4. Choose your topic from list displayed.
5. Select Contact seller.



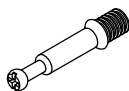
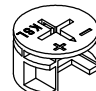
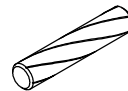
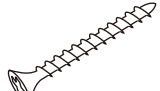

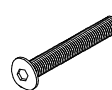

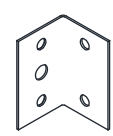
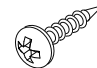

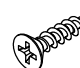
Part List



Part List

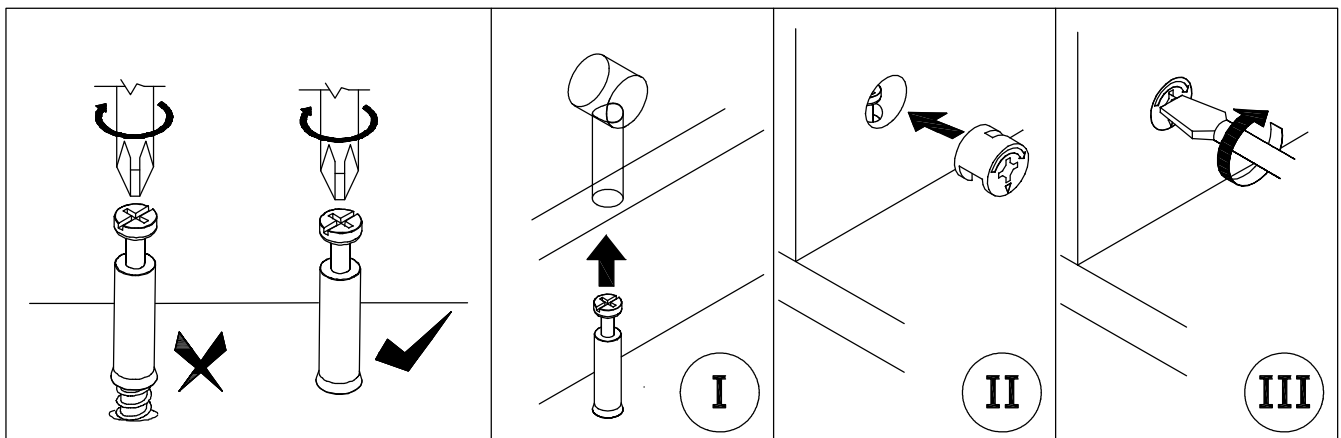


Hardware List

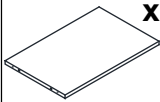
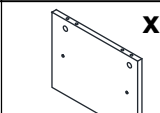
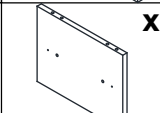
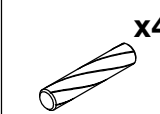
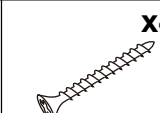
<p>A</p>  <p>M6x35mm 28+1PCS</p>	<p>B</p>  <p>15x9mm 28+1PCS</p>	<p>C</p>  <p>6x30mm 48+1PCS</p>	<p>D</p>  <p>4x35mm 8+1PCS</p>
<p>E</p>  <p>8+1PCS</p>	<p>F</p>  <p>M6x30mm 8+1PCS</p>	<p>G</p>  <p>1PC</p>	<p>H</p>  <p>4PCS</p>
<p>I</p>  <p>4x14mm 16+1PCS</p>	<p>J</p>  <p>2PCS</p>	<p>K</p>  <p>3x12mm 8+1PCS</p>	

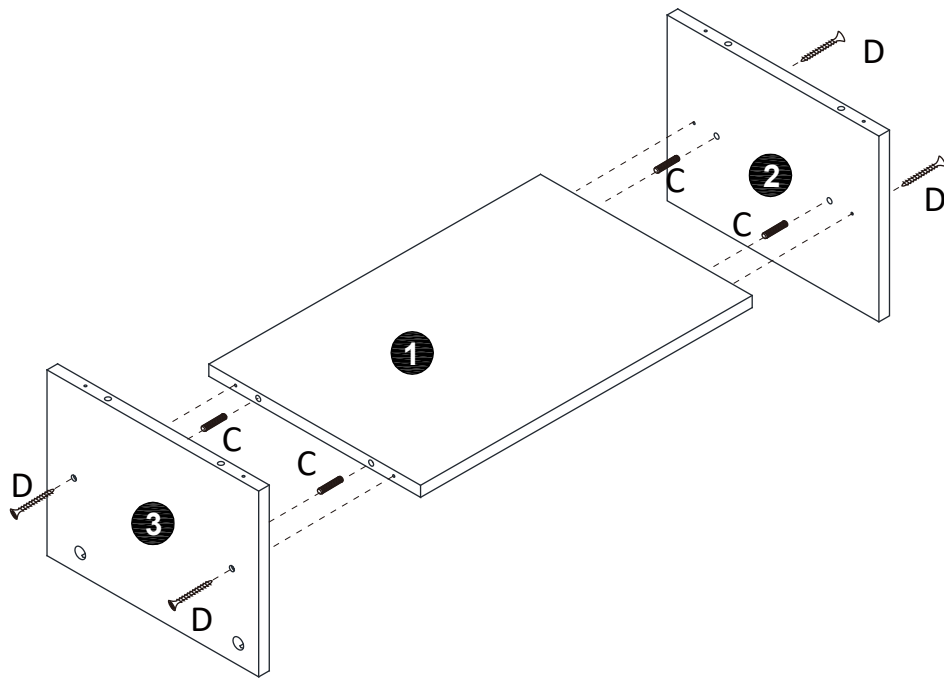
Please note:

The accessory quantity "+1/+2" in the picture is the additional spare parts we have prepared for you.

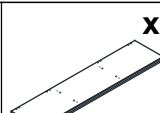
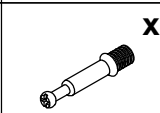


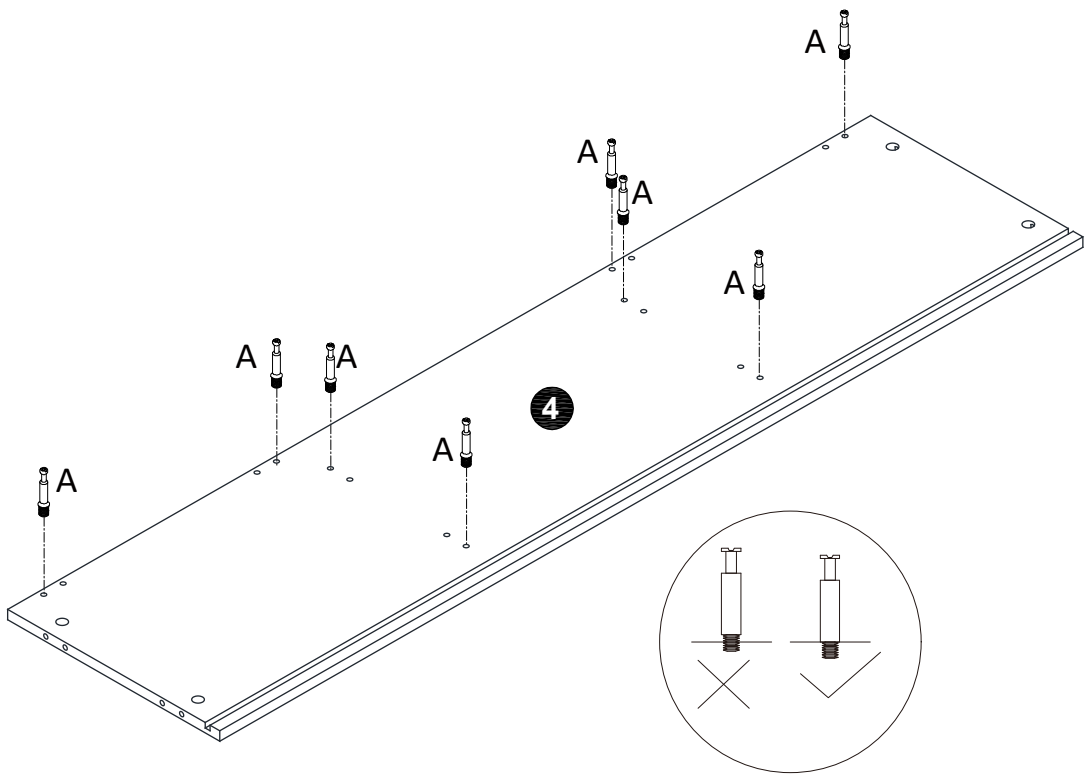
1

1	 x1
2	 x1
3	 x1
C	 x4
D	 x4

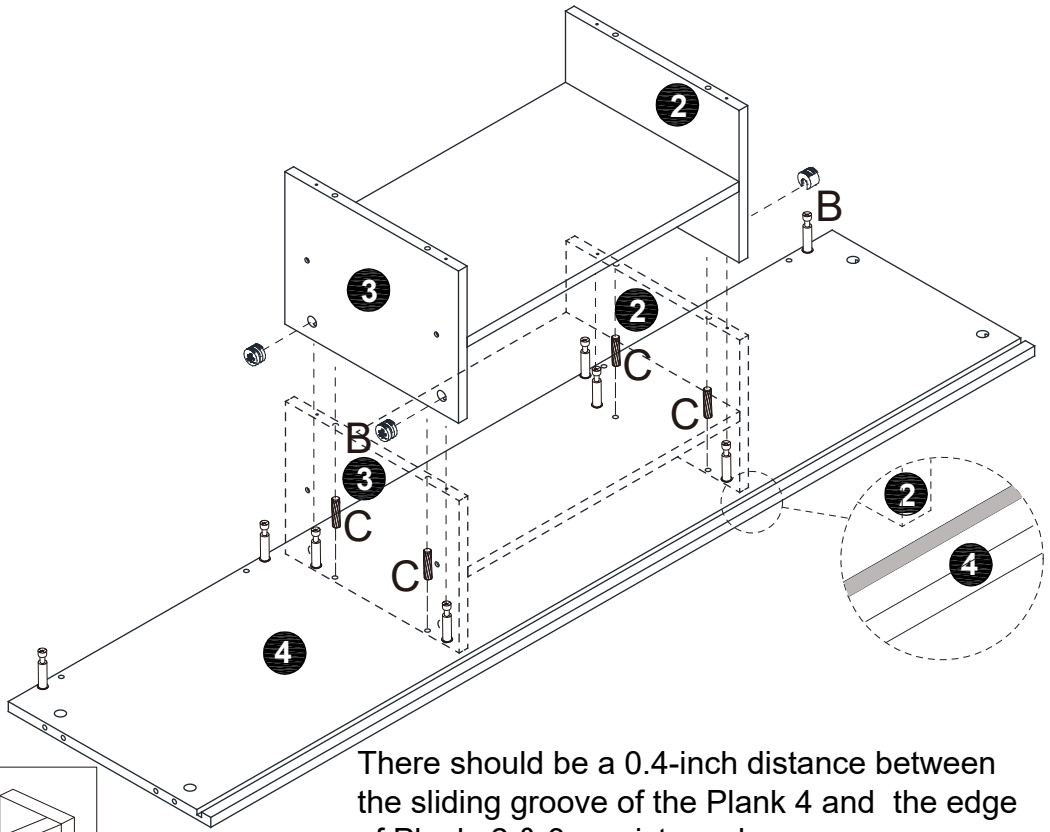


2

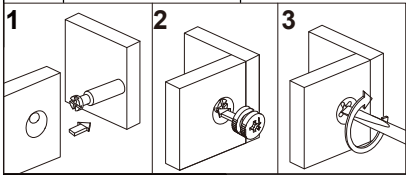
4	 x1
A	 x8



3

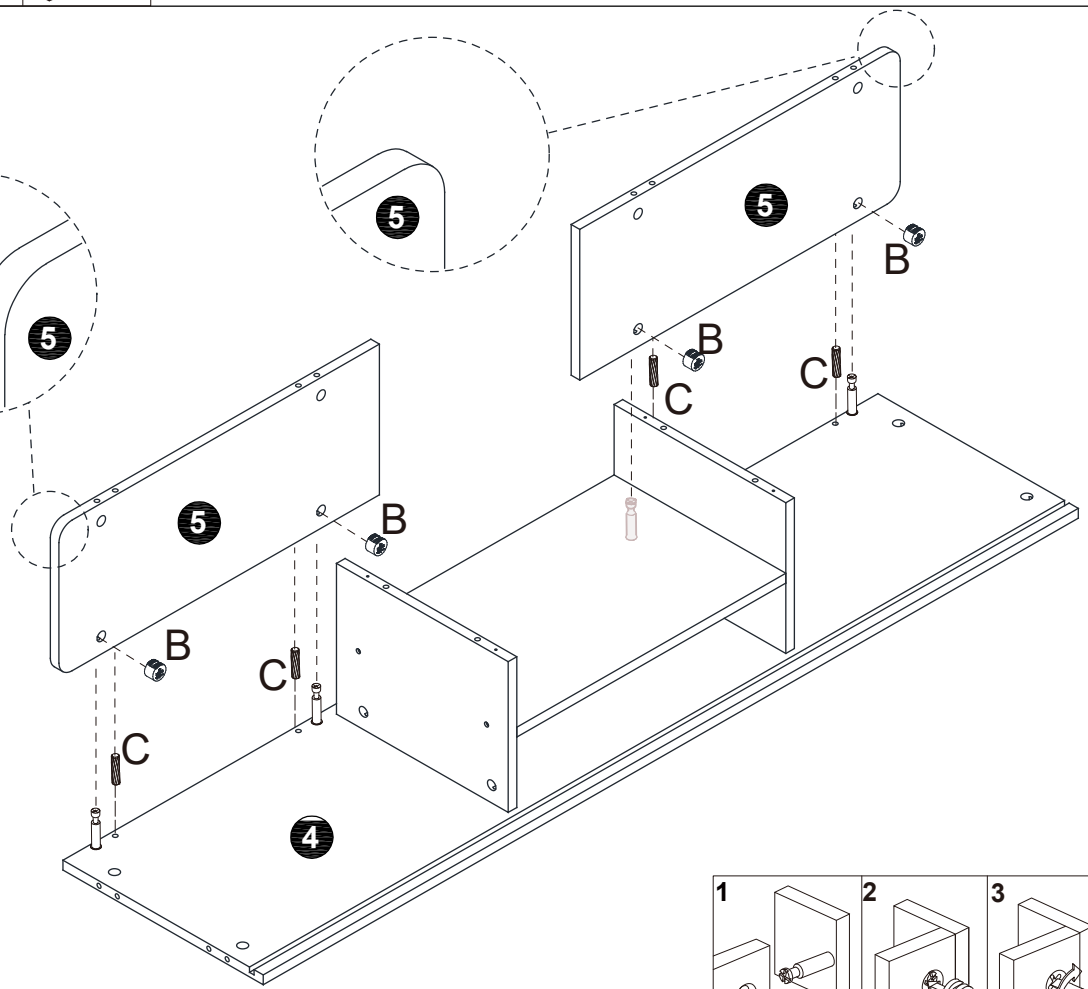


- B** x4
- C** x4

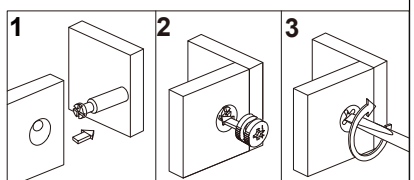


There should be a 0.4-inch distance between the sliding groove of the Plank 4 and the edge of Plank 2 & 3 as picture shows

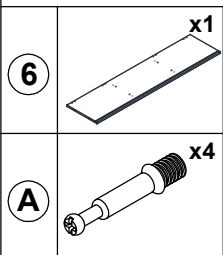
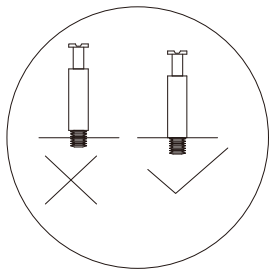
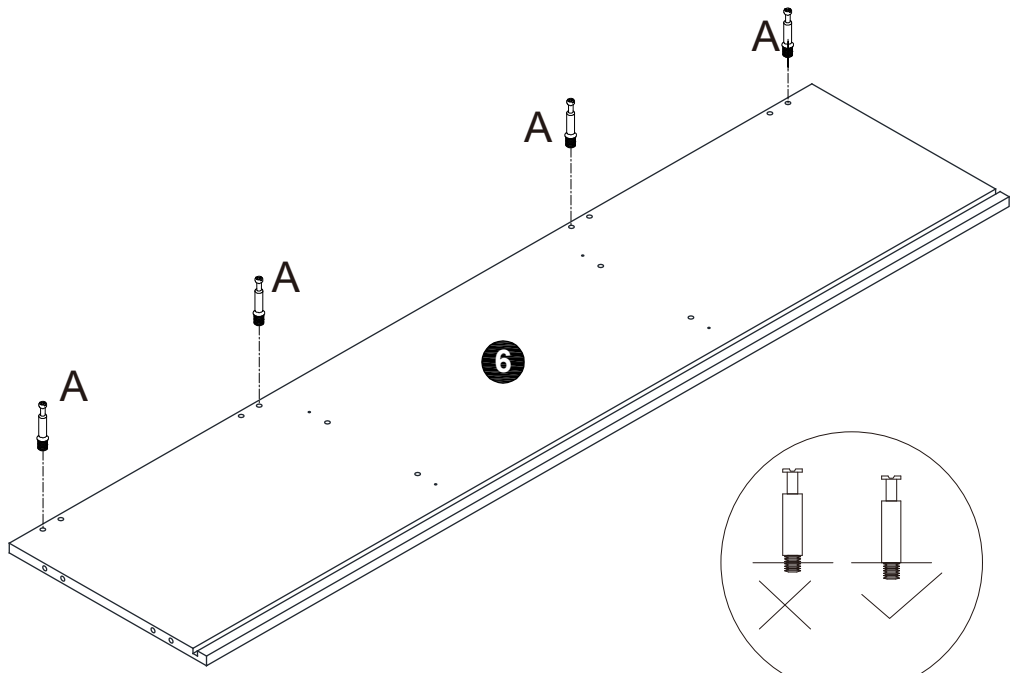
4



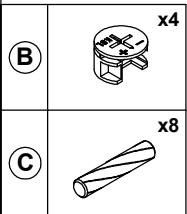
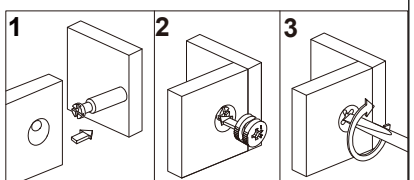
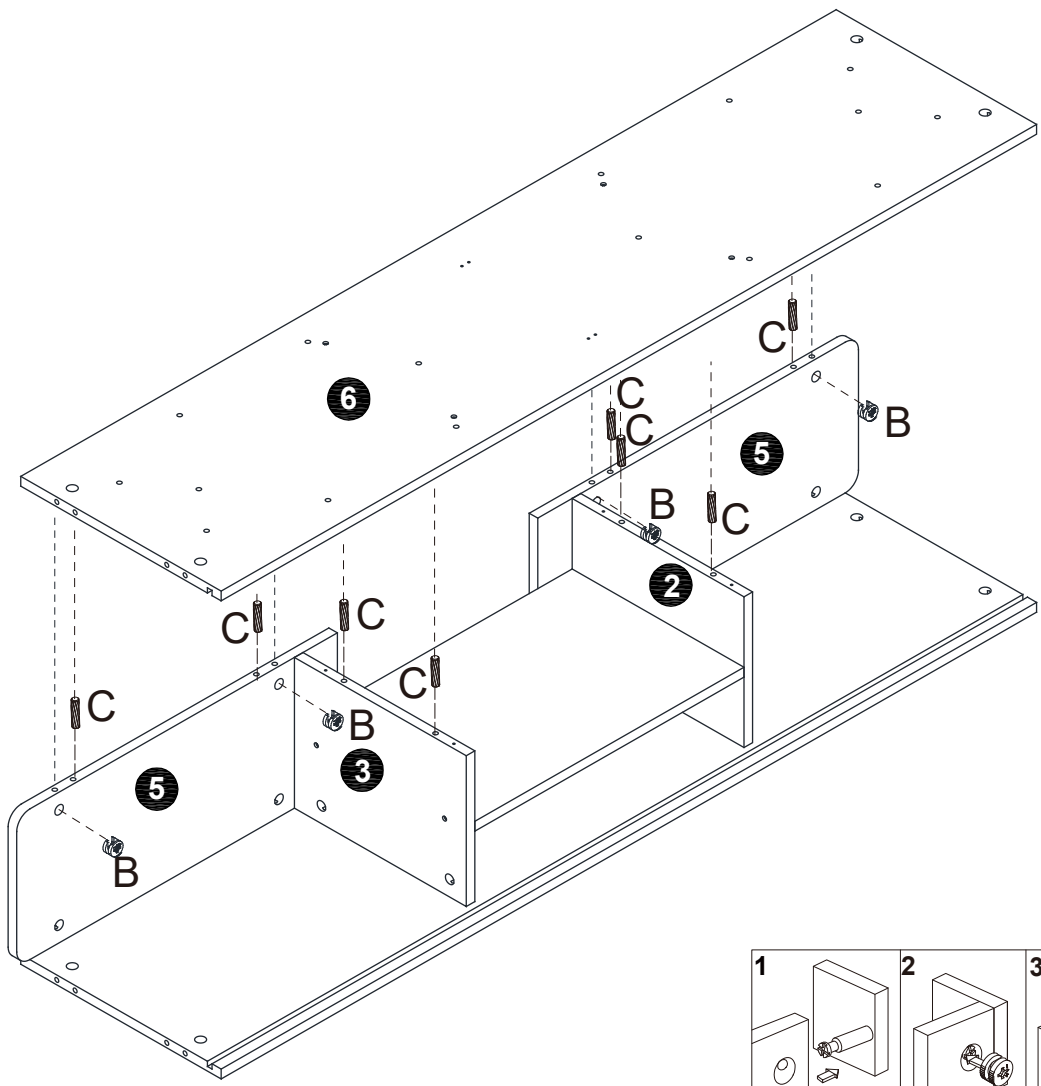
- 5** x2
- B** x4
- C** x4



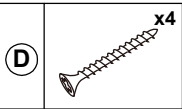
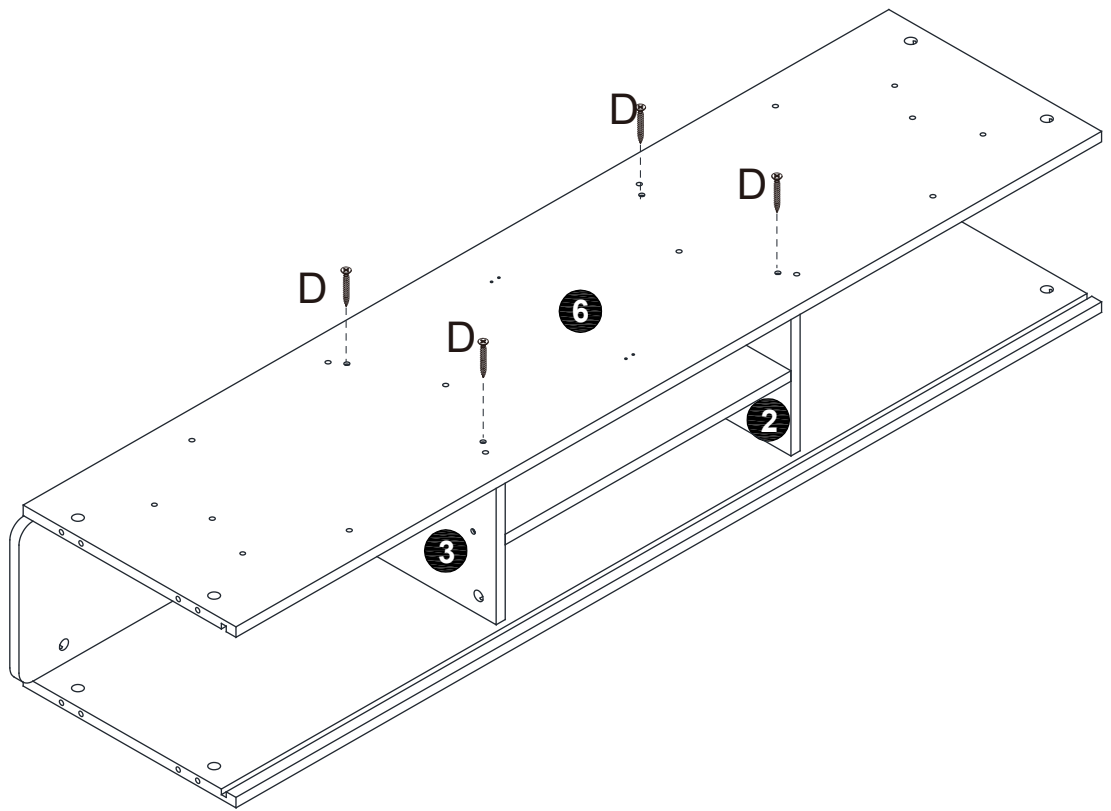
5



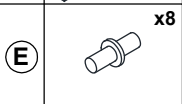
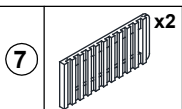
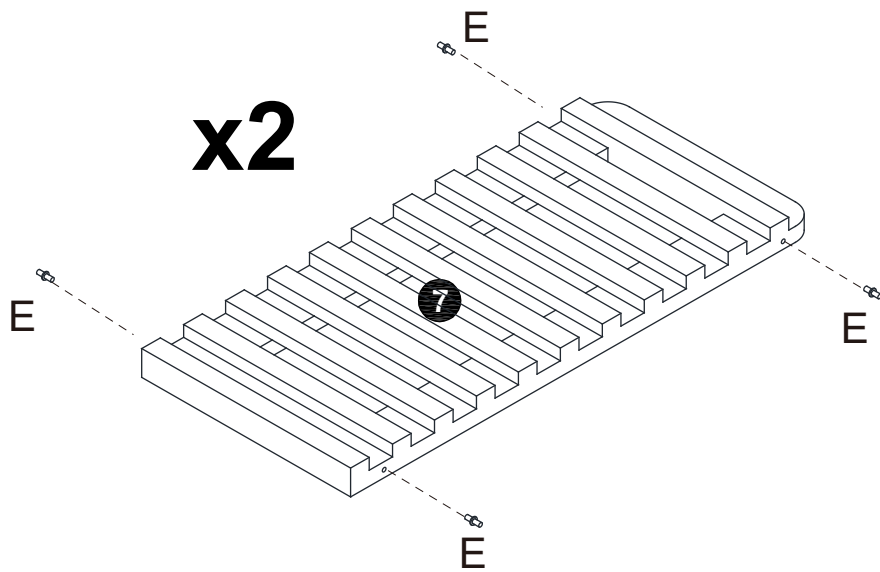
6



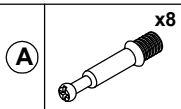
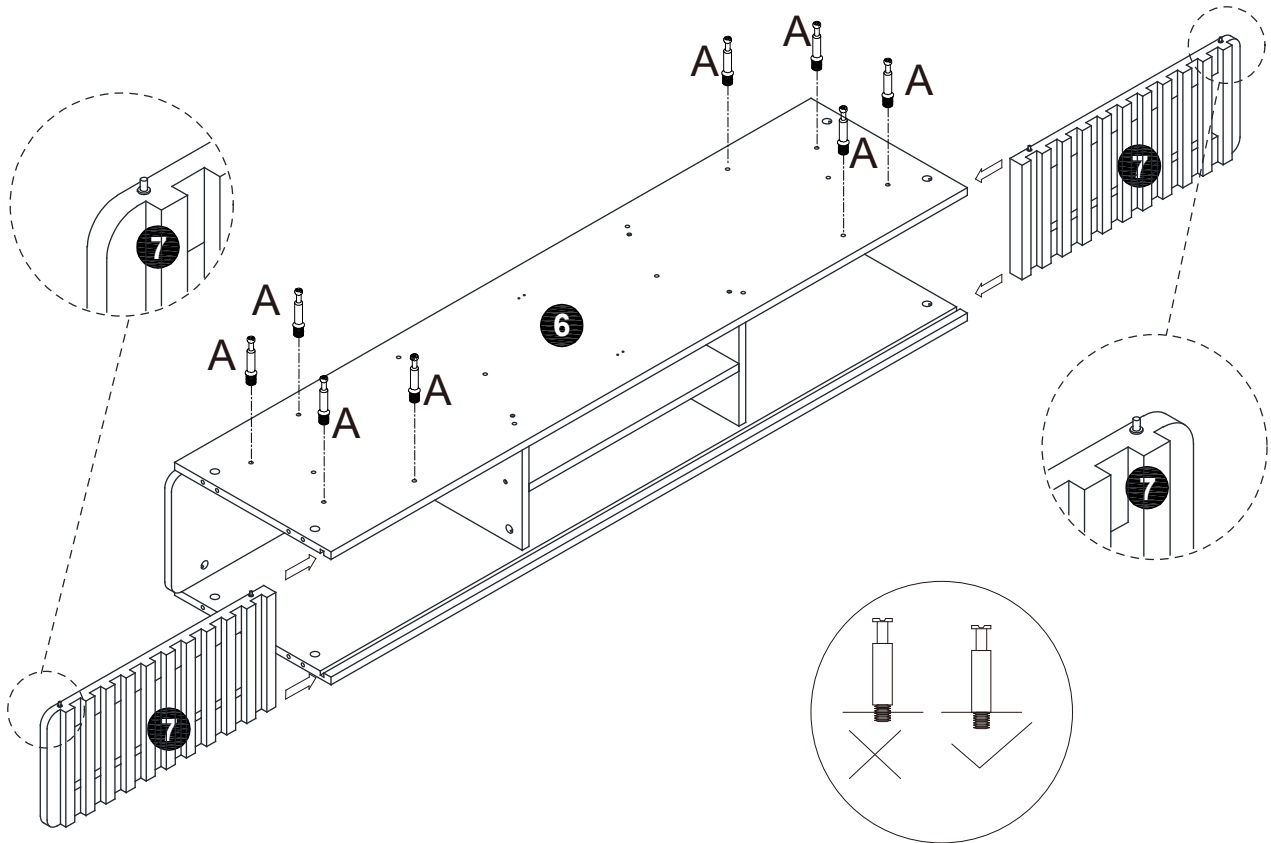
7



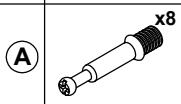
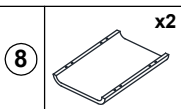
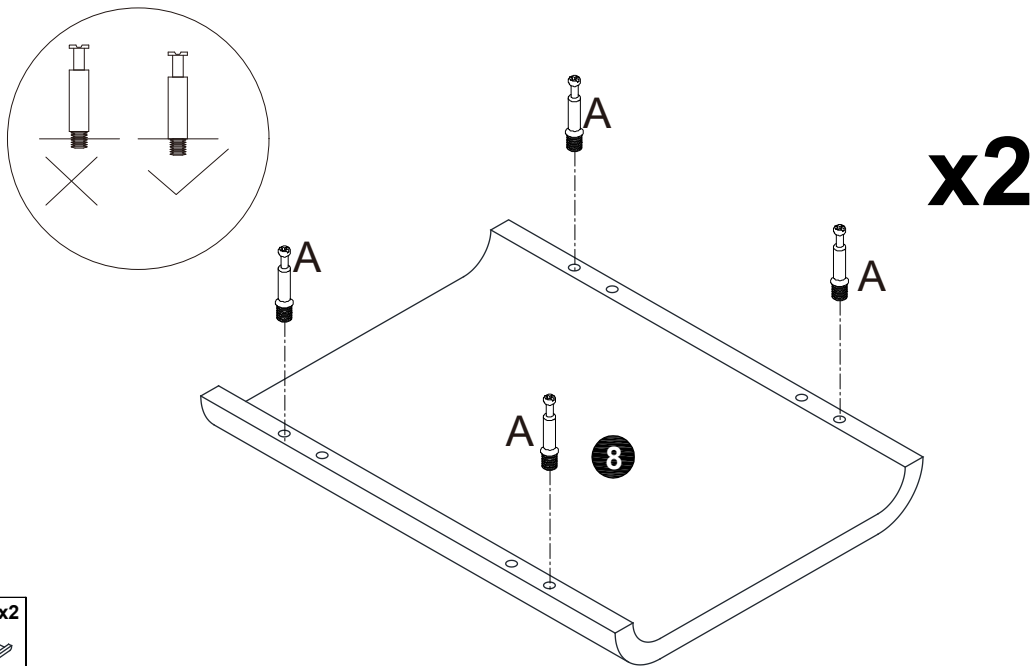
8



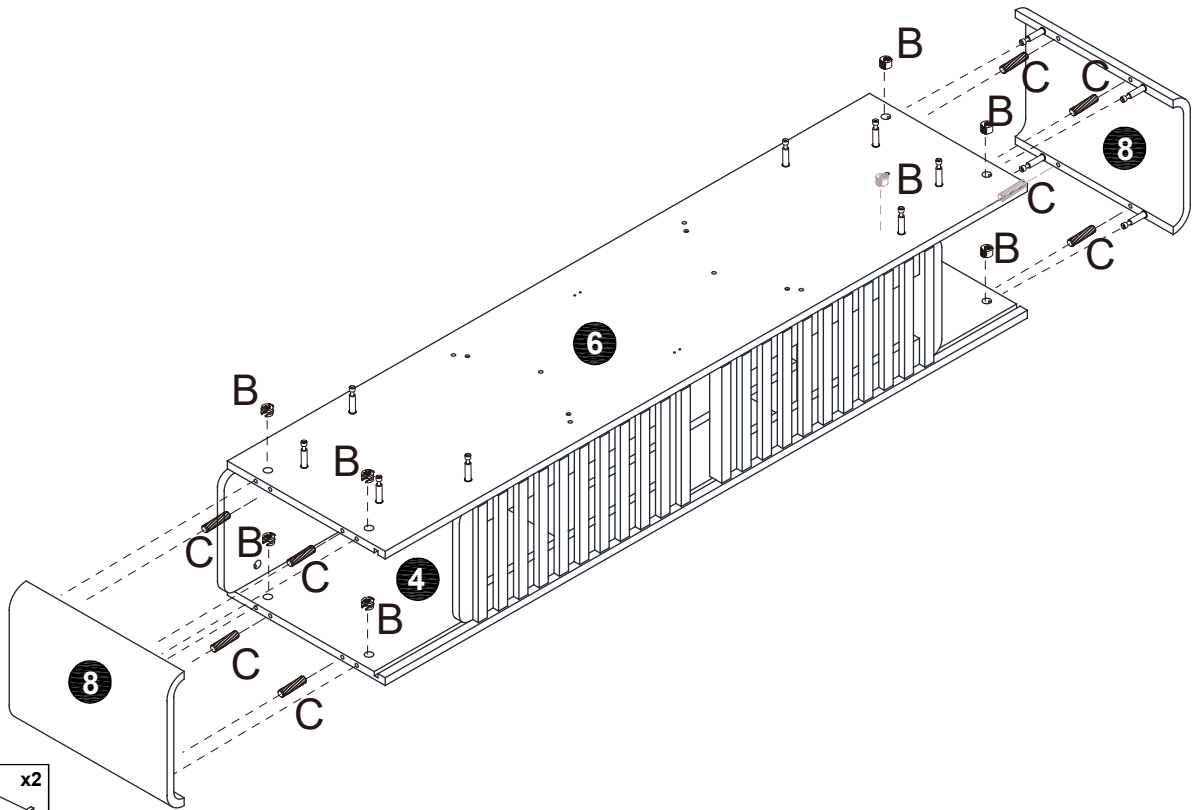
9



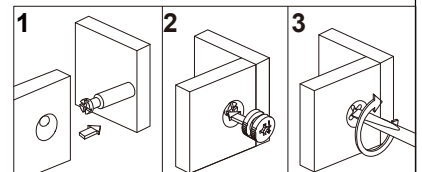
10



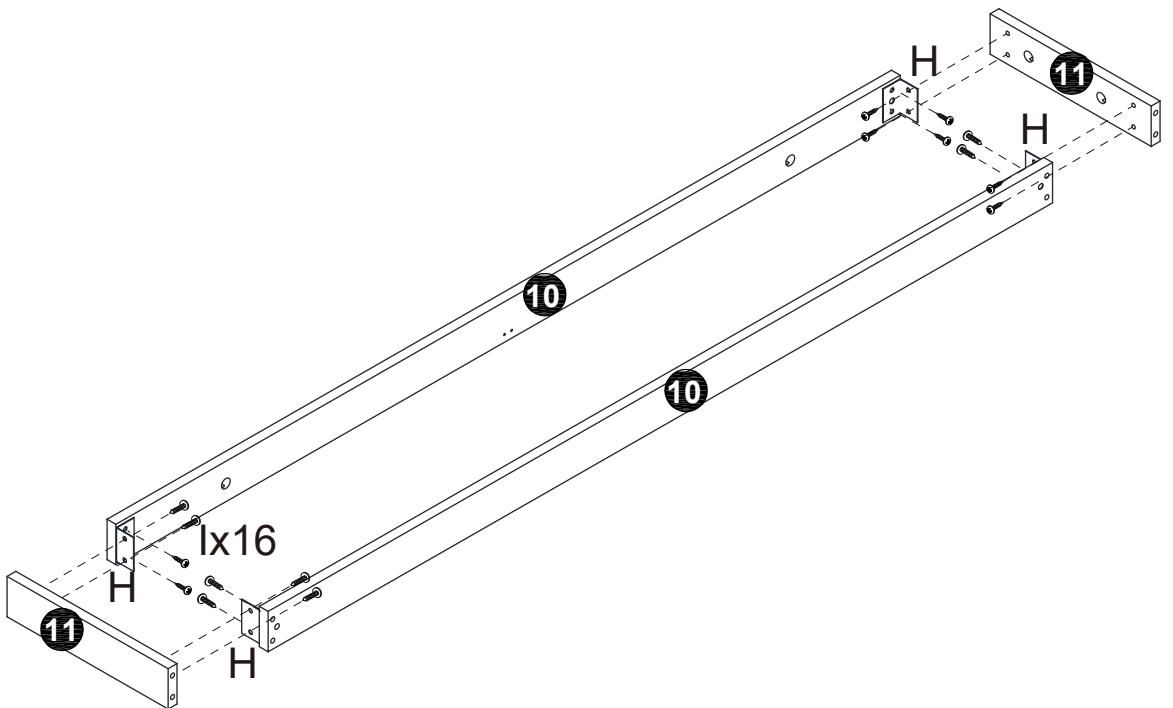
11



8		x2
B		x8
C		x8

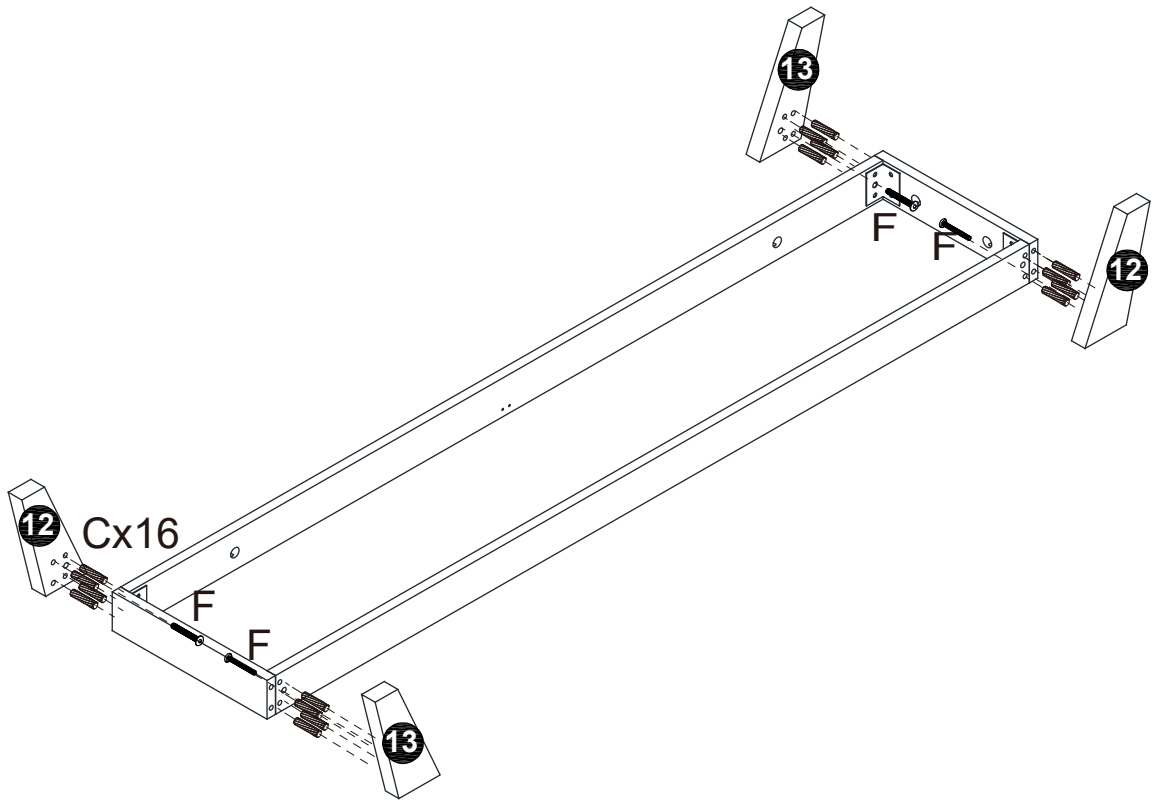






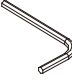
12



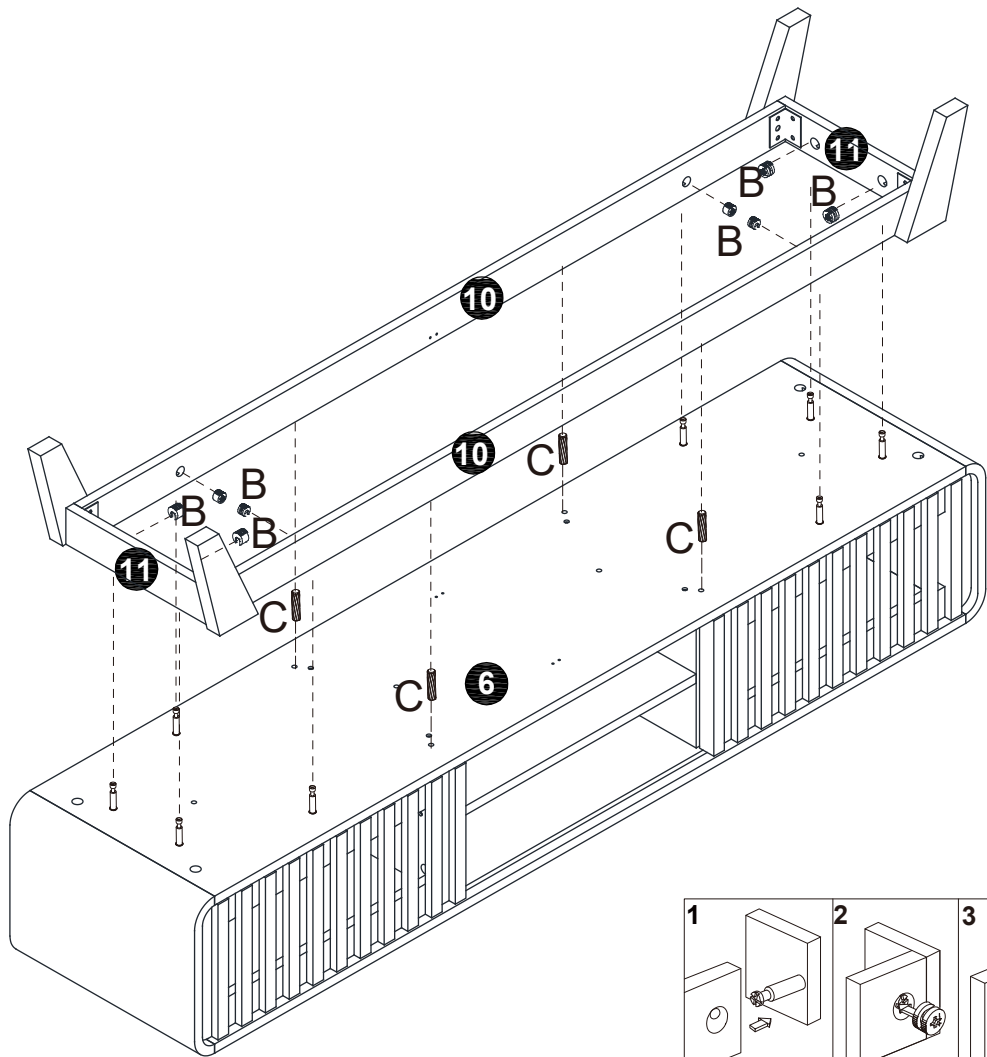
10		x2
11		x2
H		x4
I		x16


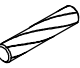
13

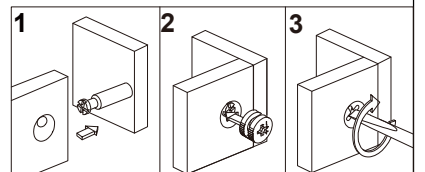


(12)		x2
(13)		x2
(C)		x16
(F)		x4
(G)		x1

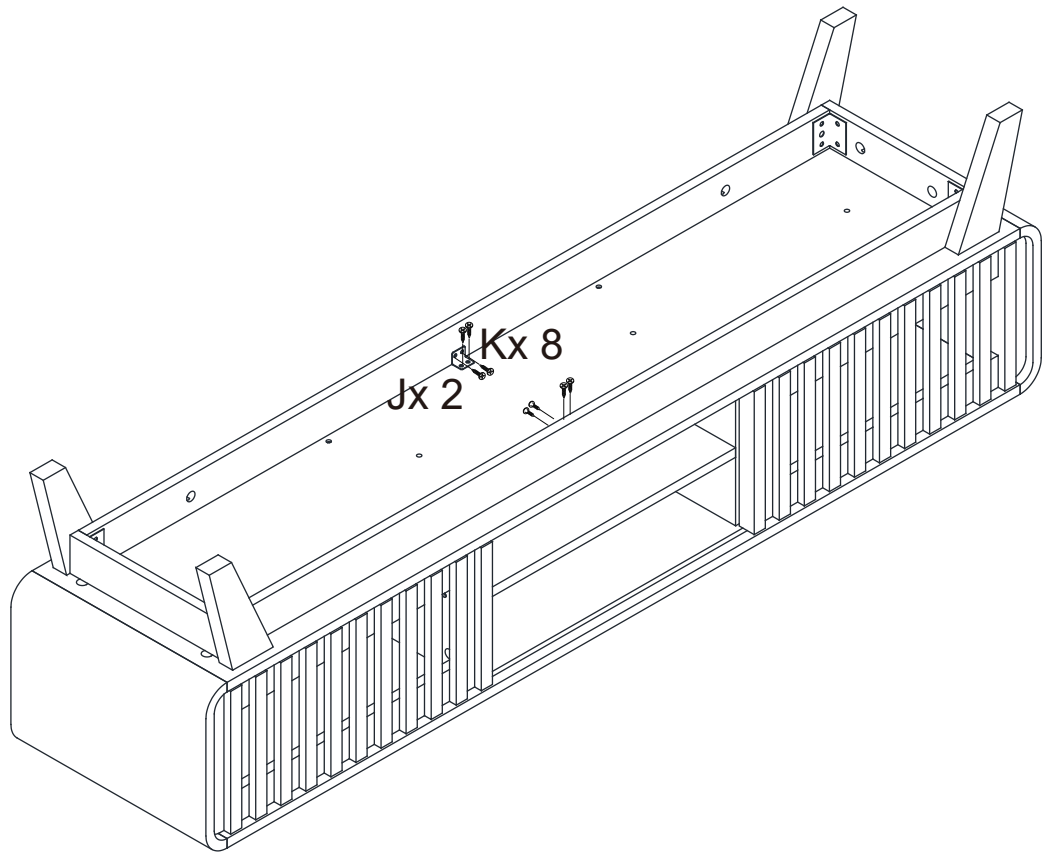
14





(B)		x8
(C)		x4

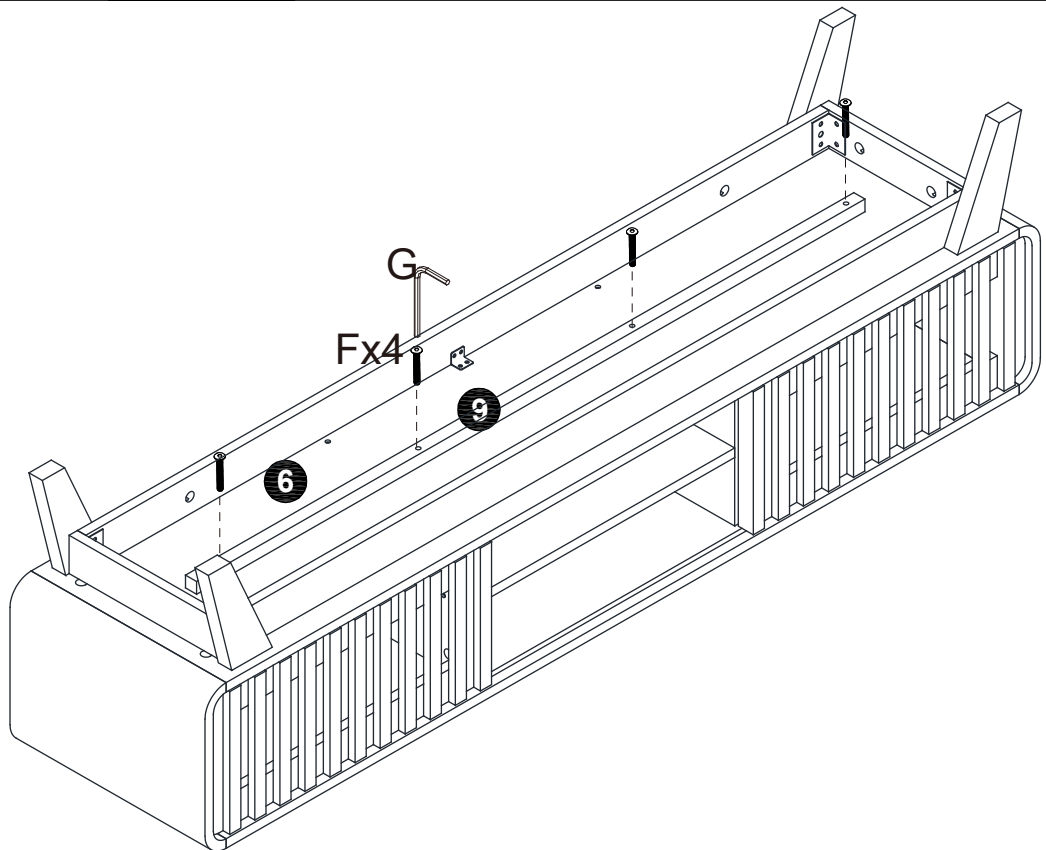





15



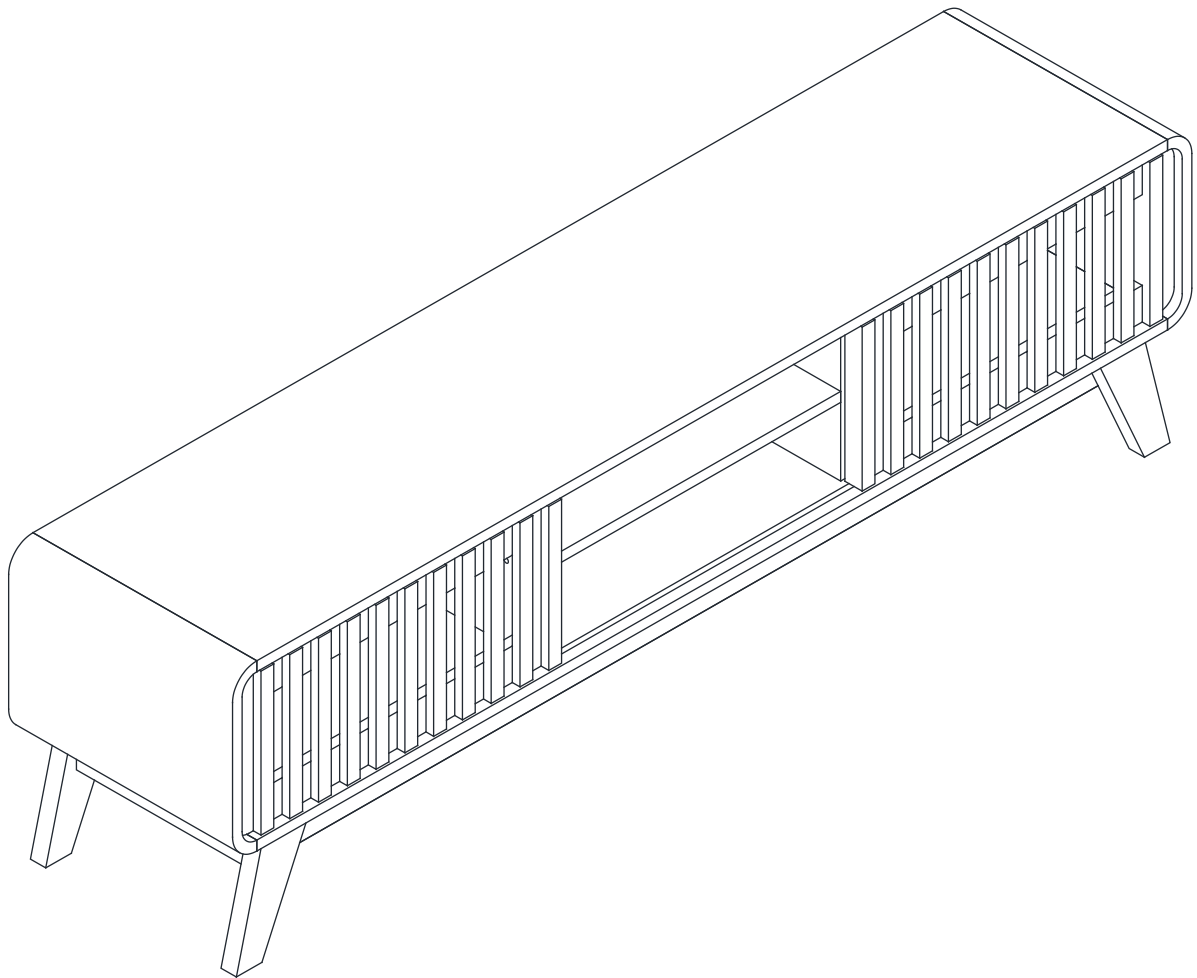
J	 x2
K	 x8

16



9	 x1
F	 x4
G	 x1

17



Questions about this product, faults or missing parts?
Please feel free to contact us at eo.aftersale@outlook.com

WARNINGS AND CAUTIONS

Keep this manual in a safe place for future reference,
and read it carefully before assembly.

Make sure that all parts and accessories are as listed on .

It is recommended that two adults work together to install
the TV stand. Do not dispose of any packaging materials
until has verified that all parts and accessories are present.
Check that all bolts are tight before use and check the bolts
periodically to ensure proper functioning of the cabinet.

Some parts may have sharp edges/corners.

Follow basic safety precautions to reduce the risk of injury.

CHOKING HAZARD

This product contains small parts that could be swallowed
by children.

Keep children under 3 years of age and pets away during
installation.