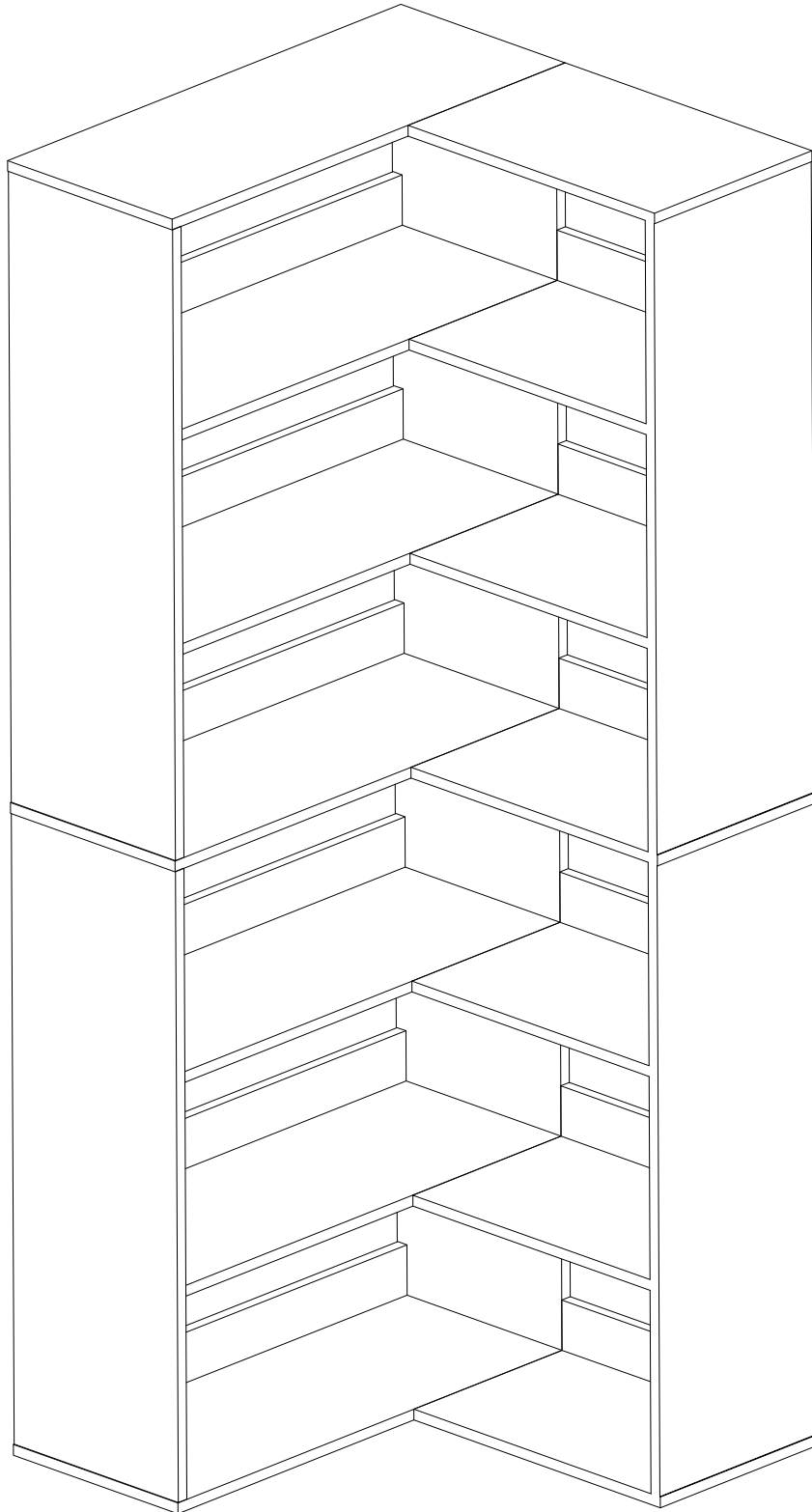




Bookcase



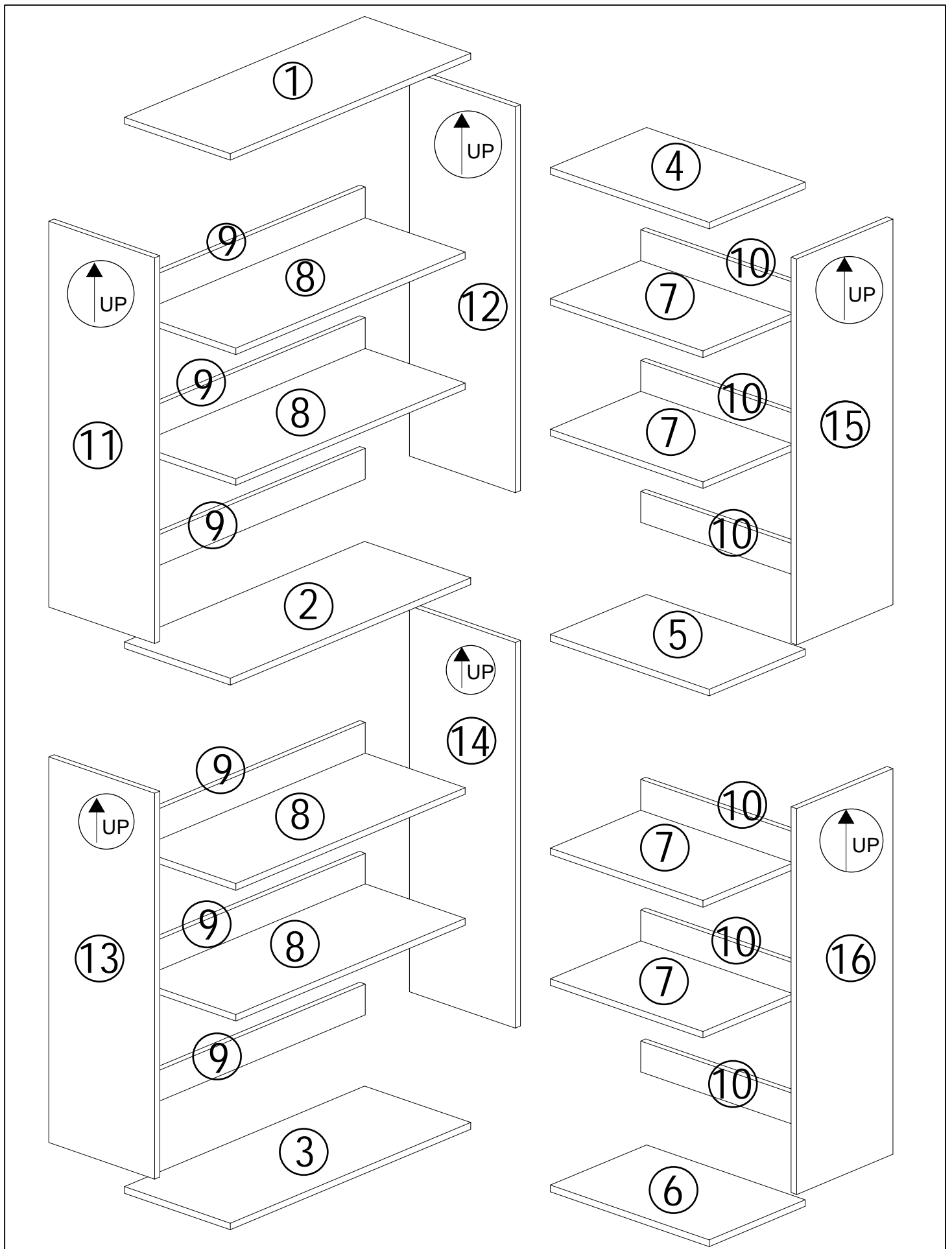
WARNING

Serious or fatal injury may occur from unexpected assembly or use.

1. During the assembly process, keep all parts away from babies or children.
2. Always securely fix this product to the wall. Make sure the wall area to be drilled is free from hidden electrical wires, water and gas pipes.
3. Use of tip-over restraints may only reduce, but not eliminate the risk of tip-over.
4. Unless specially designed to accommodate, do not set heavy objects on top of this product.
5. Place the heaviest items on the lowest shelf.
6. Never allow children to climb or bang on drawers, doors or shelves.

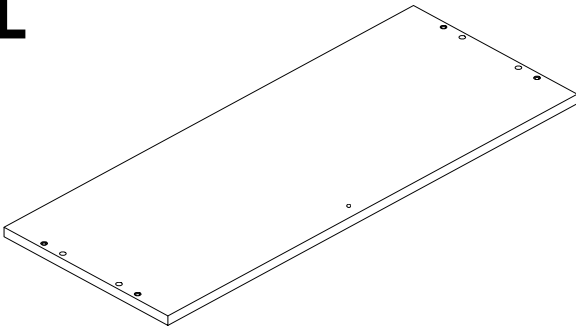
|  WARNING | |
|---|--|
|  | <p>Children have died from furniture tipover. To reduce the risk of furniture tipover:</p> <ul style="list-style-type: none">● ALWAYS install tipover restraint provided.● NEVER put a TV on this product.● NEVER allow children to stand, climb or hang on drawers, doors, or shelves.● NEVER open more than one drawer at a time.● Place heaviest items in the lowest drawers. |
|  | |

Parts List (EN) / Teile Liste (DE)



Assembly (EN) / Montageschritte (DE)

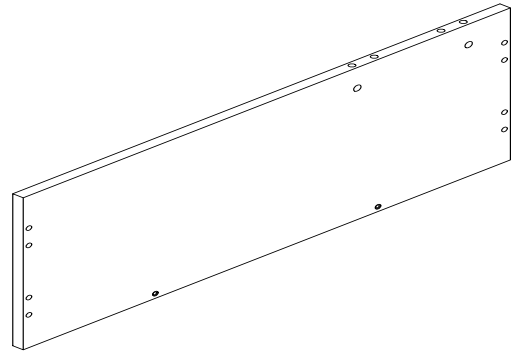
1



700*280*15mm

1 PCS

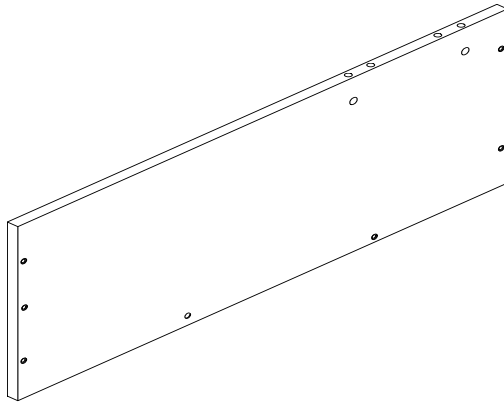
2



700*280*15mm

1 PCS

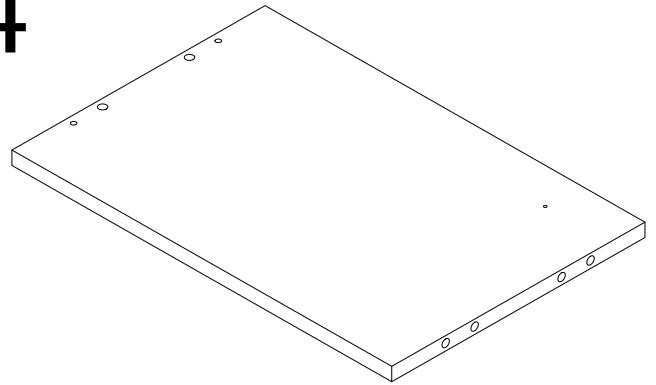
3



700*280*15mm

1 PCS

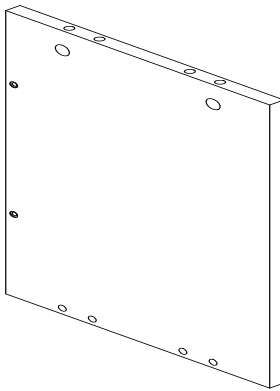
4



420*280*15mm

1 PCS

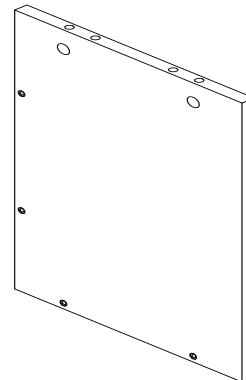
5



420*280*15mm

1 PCS

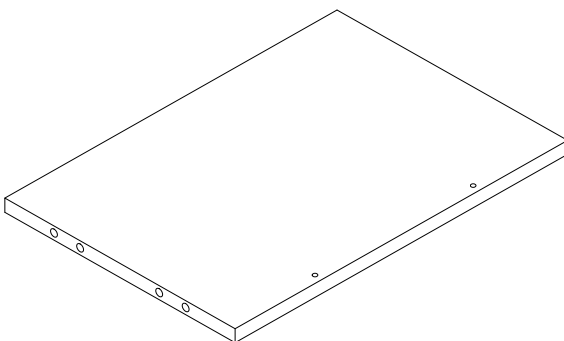
6



420*280*15mm

1 PCS

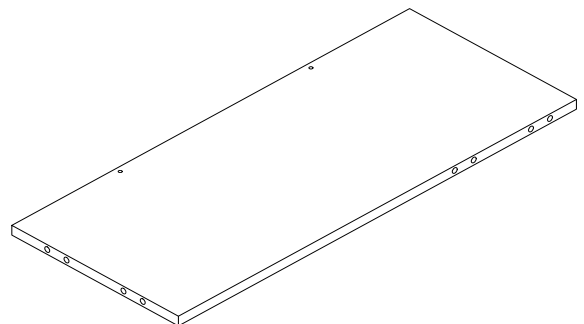
7



404*280*15mm

4 PCS

8

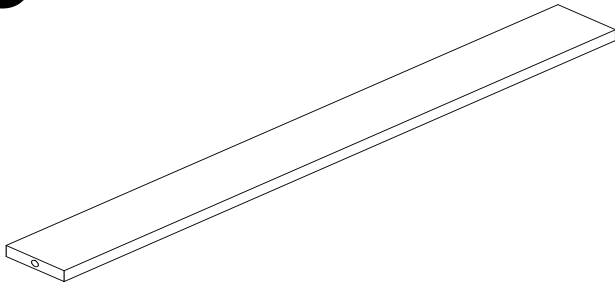


668*280*15mm

4 PCS

Assembly (EN) /Montageschritte (DE)

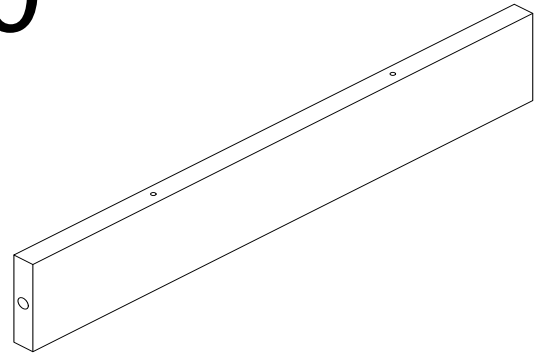
9



668*70*15mm

6 PCS

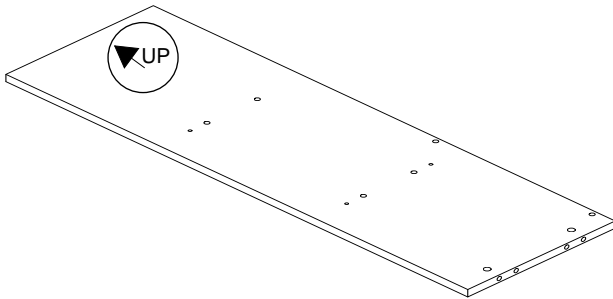
10



404*70*15mm

6 PCS

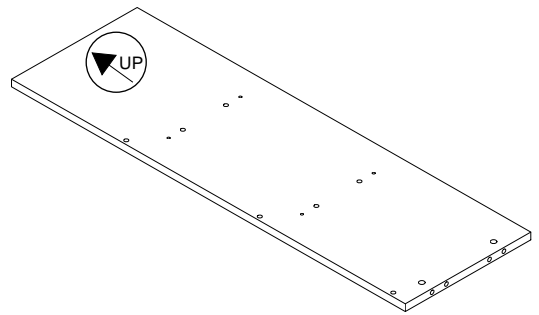
11



877.5*280*15mm

1 PCS

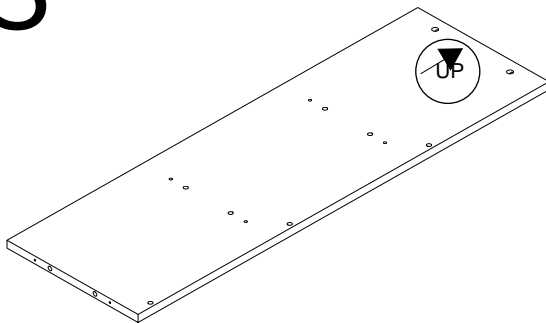
12



877.5*280*15mm

1 PCS

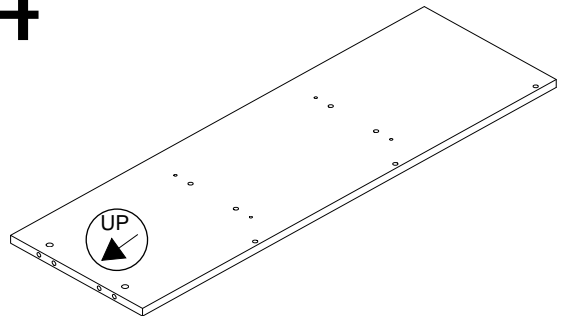
13



877.5*280*15mm

1 PCS

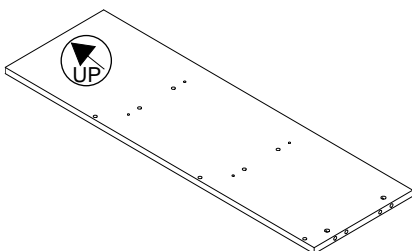
14



877.5*280*15mm

1 PCS

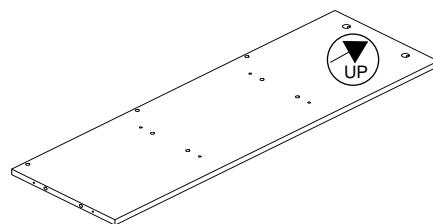
15



877.5*280*15mm

1 PCS

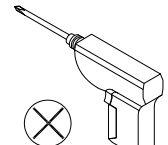
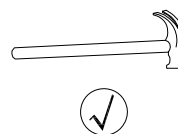
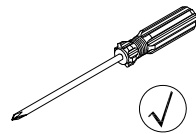
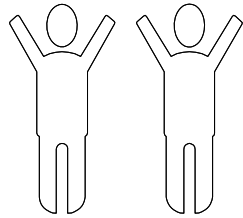
16

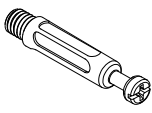

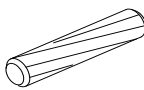
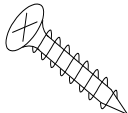
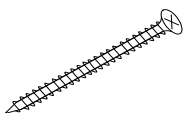

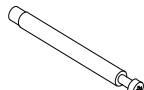


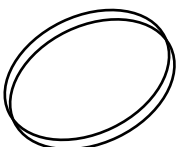


877.5*280*15mm

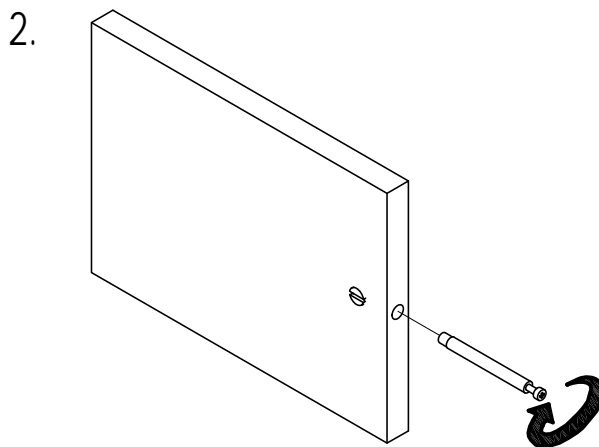
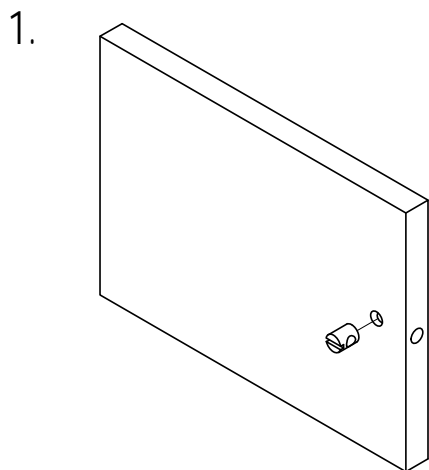
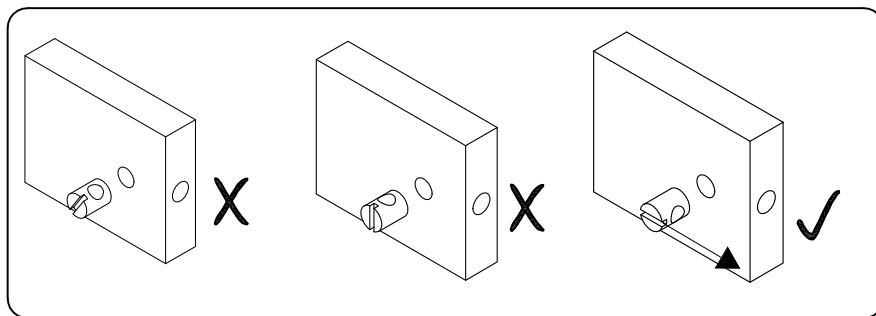
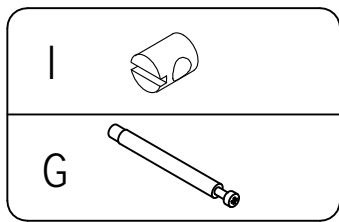
1 PCS

Assembly (EN) /Montageschritte (DE)

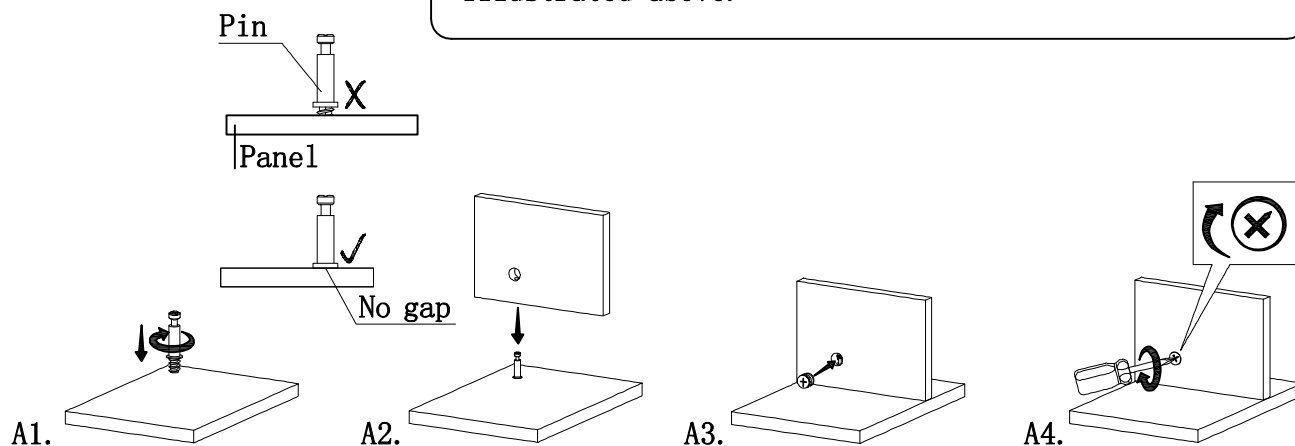
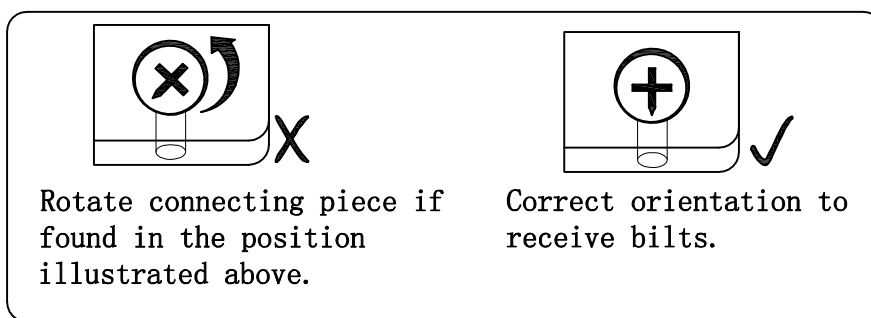
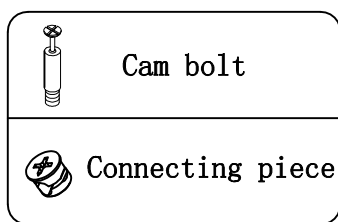


| A | B | C | D | E |
|--|--|---|---|--|
|  $\phi 7*40\text{mm}$ 24PCS |  $\phi 15*11\text{mm}$ 44PCS |  $\phi 8*30\text{mm}$ 80PCS |  $M3.5*14\text{mm}$ 2PCS |  $M4*35\text{mm}$ 38PCS |
| F  $6*30\text{mm}$ 2PCS | G  $7*70\text{mm}$ 20PCS | H  $65*35*15\text{mm}$ 2PCS | I  $10*12\text{mm}$ 20PCS | J  $\phi 20\text{mm}$ 20PCS |

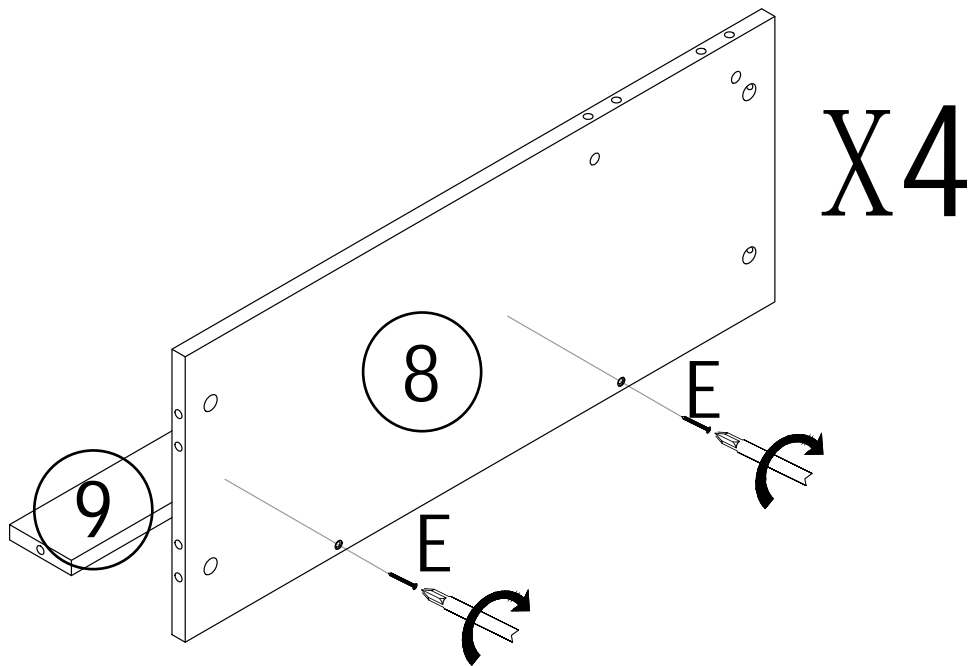
CAM BOLT INSTALLATION AS BELOW:



CAM BOLT INSTALLATION AS BELOW:

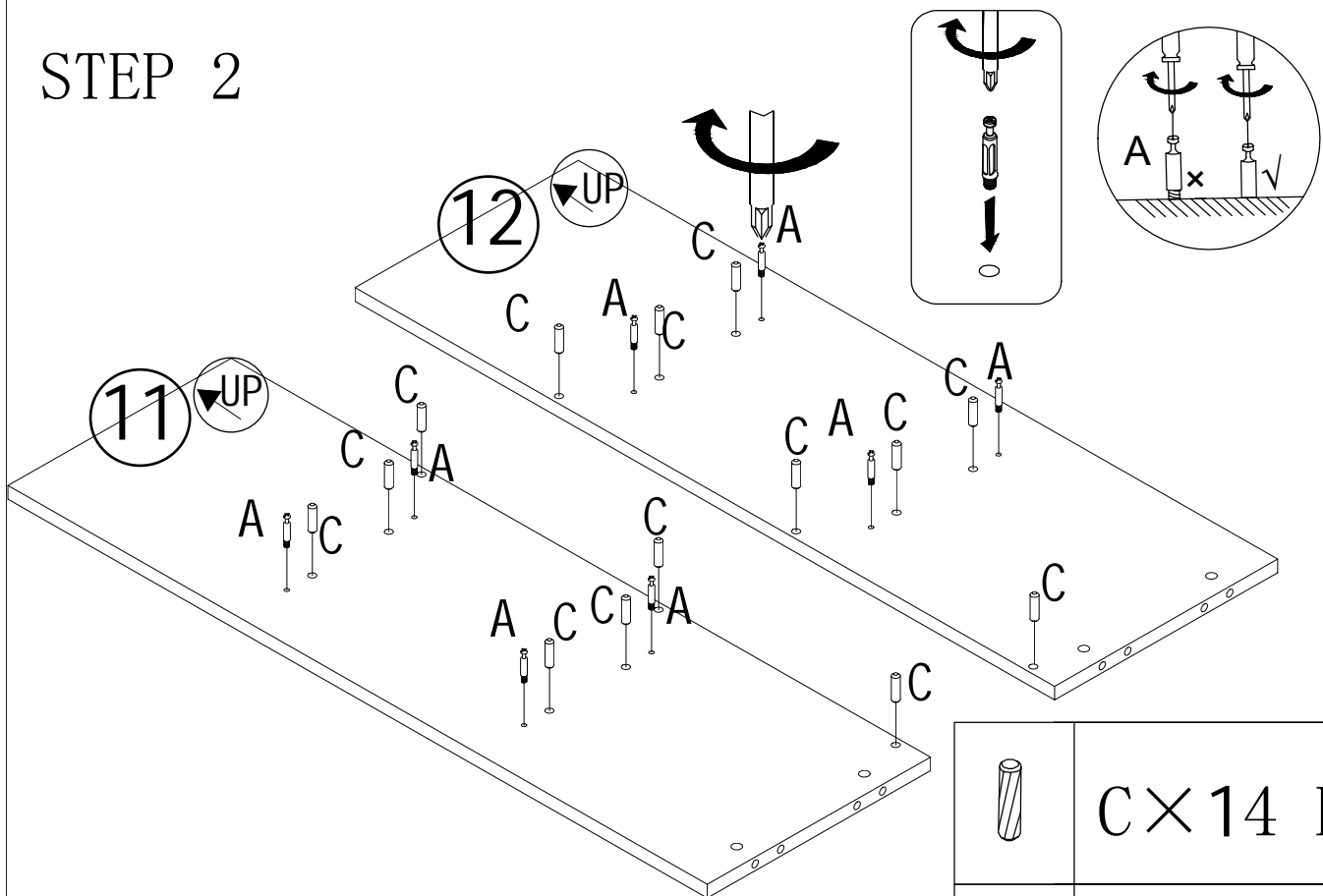




STEP 1



| | |
|---|-----------|
|  | E × 8 PCS |
|---|-----------|

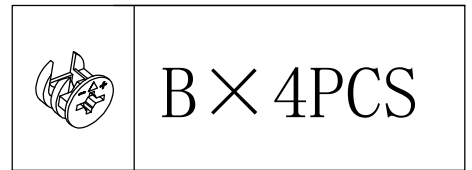
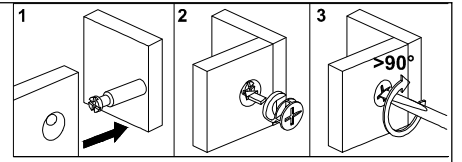
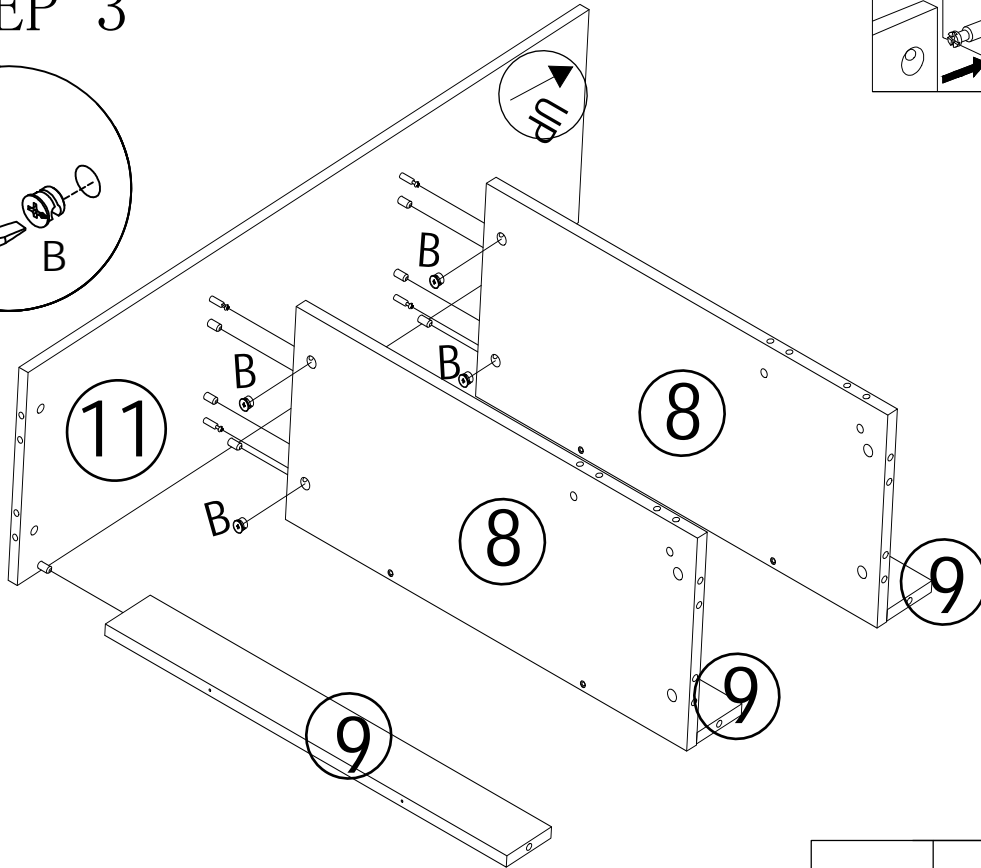
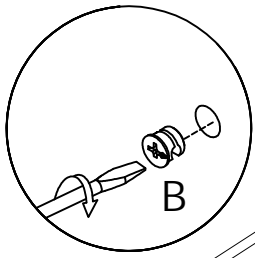
STEP 2



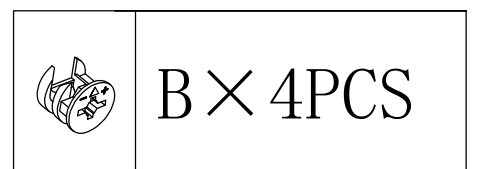
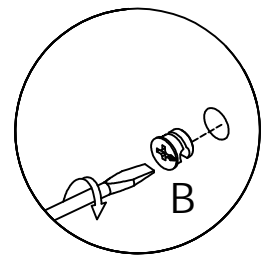
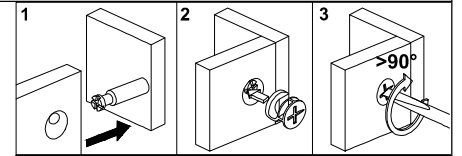
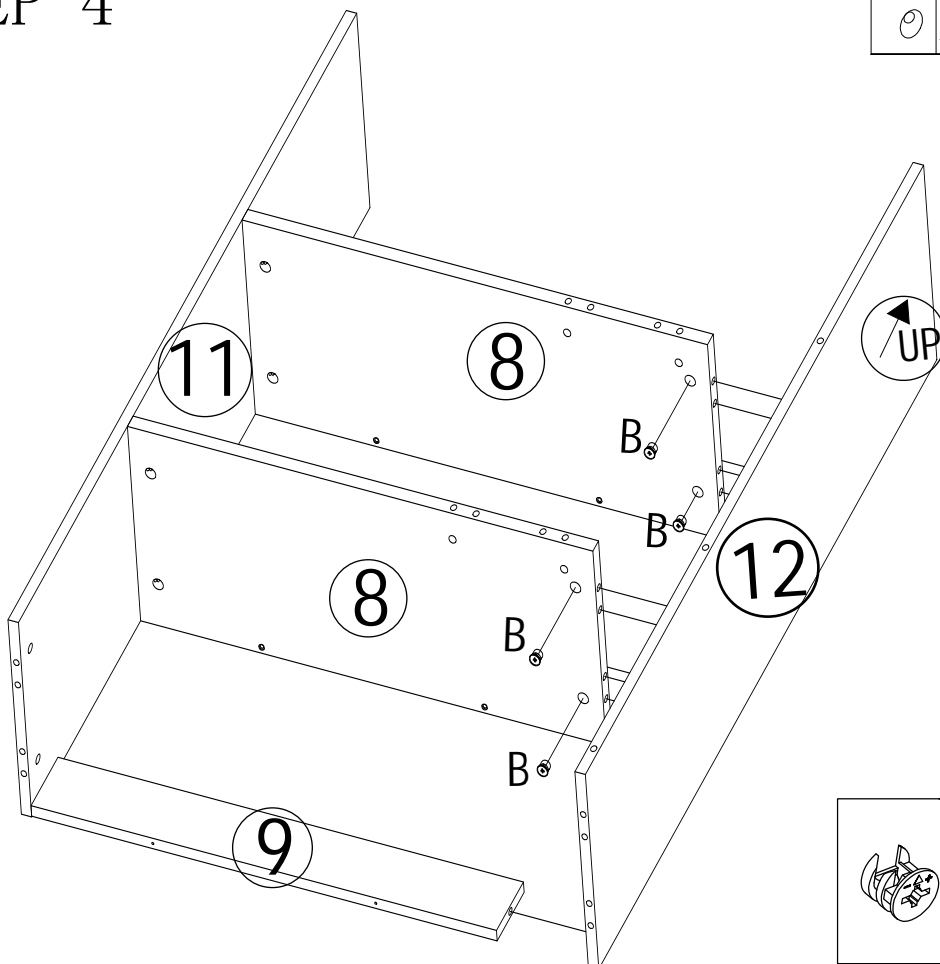
| | |
|---|-----------|
|  | C × 14 PC |
|  | A × 8 PC |

Assembly (EN) /Montageschritte (DE)

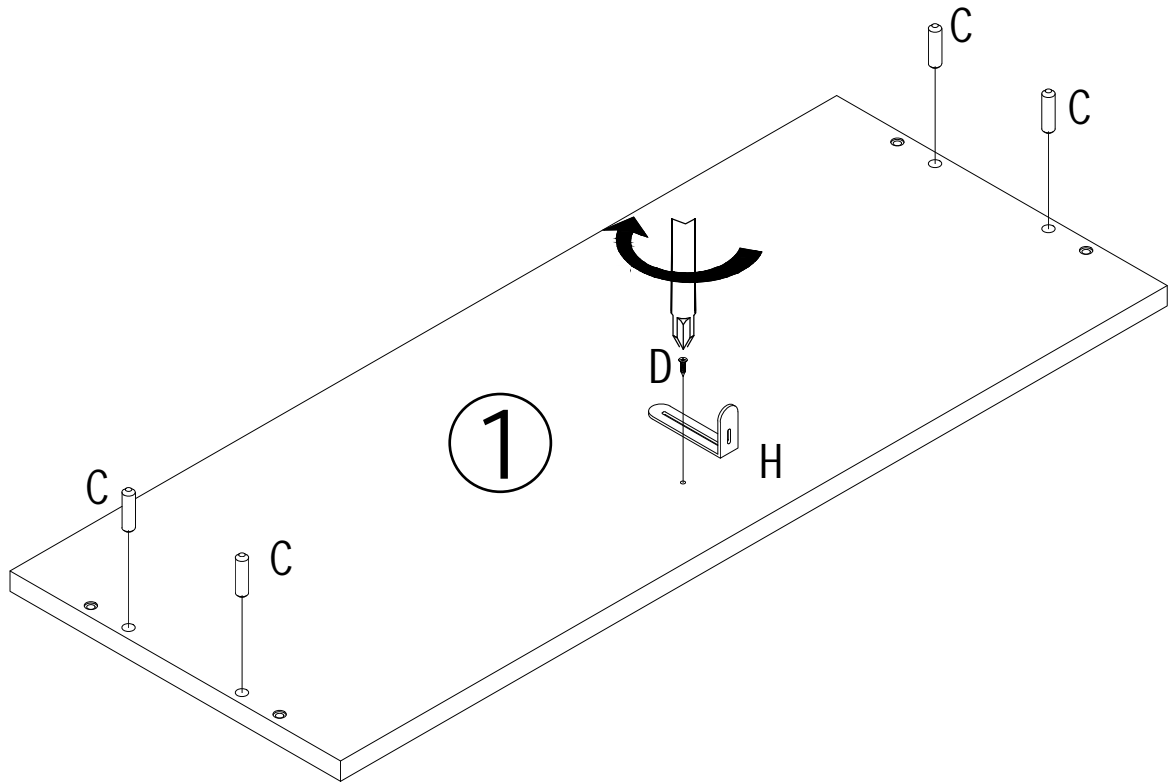
STEP 3

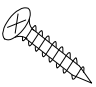
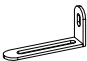



STEP 4

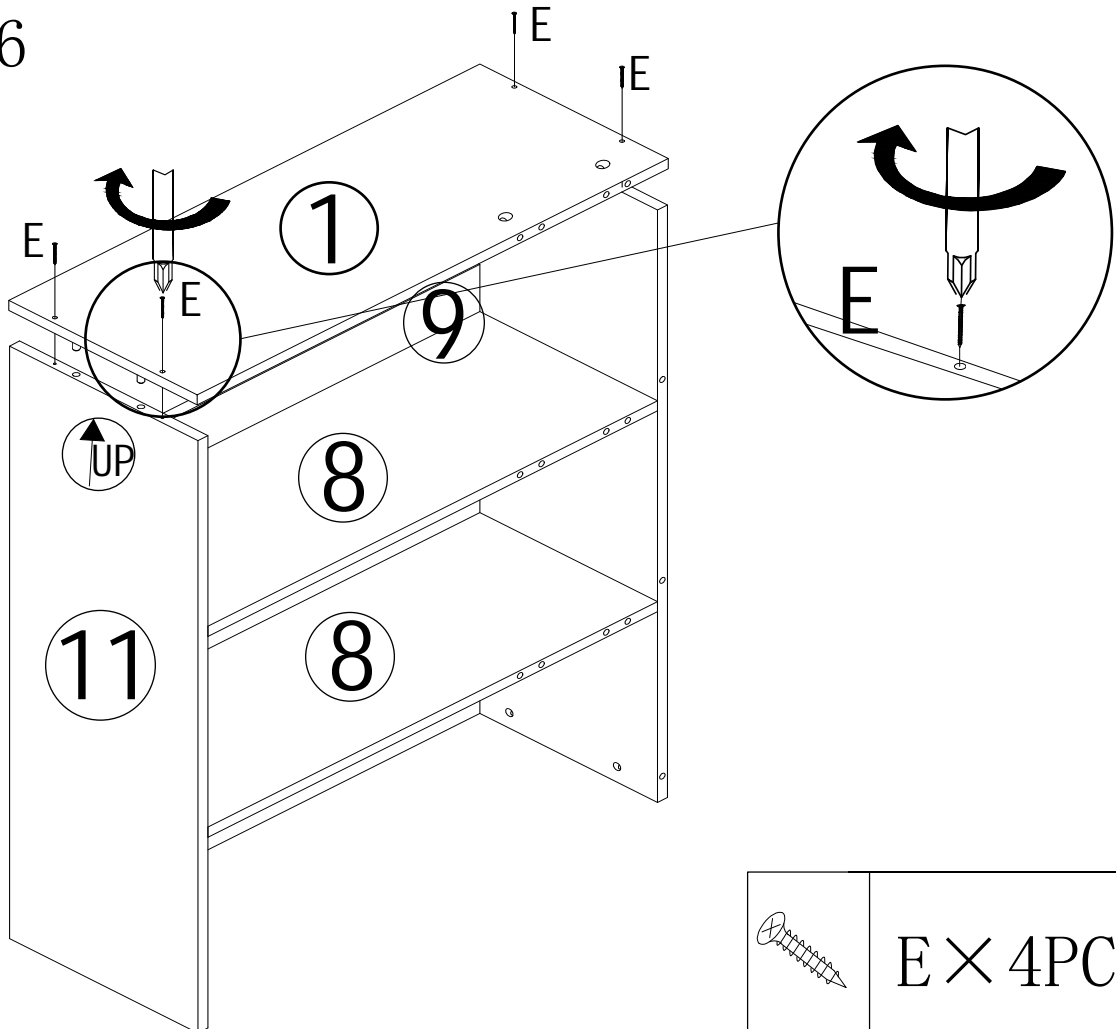


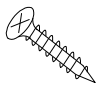
STEP 5



| | | | | | |
|---|----------|---|----------|---|----------|
|  | D × 1PCS |  | H × 1PCS |  | C × 4PCS |
|---|----------|---|----------|---|----------|

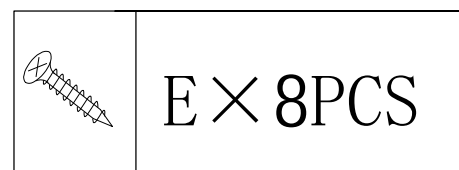
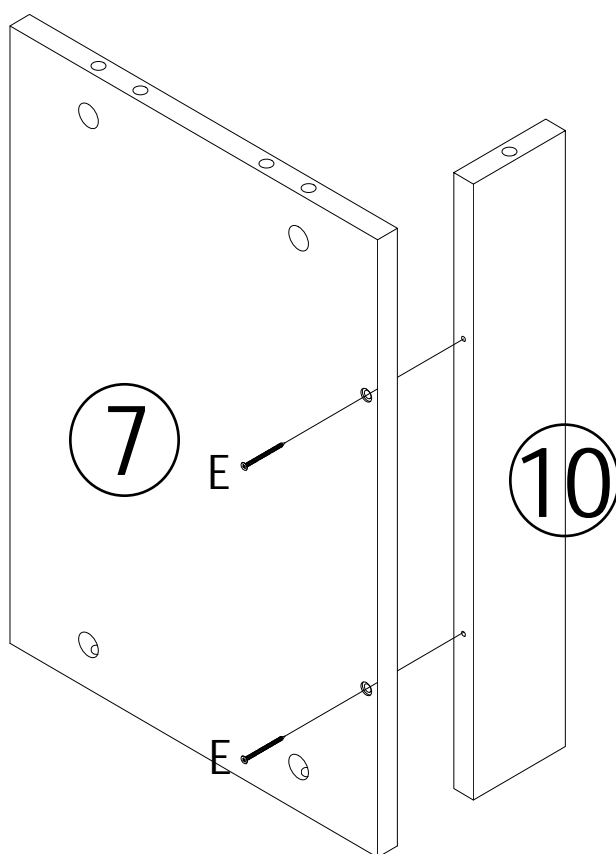
STEP 6



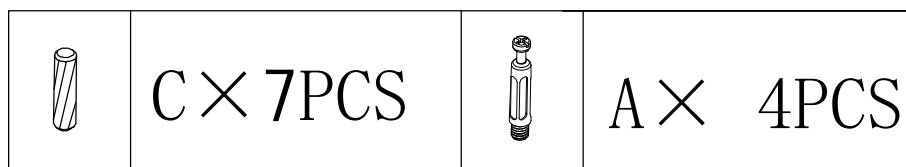
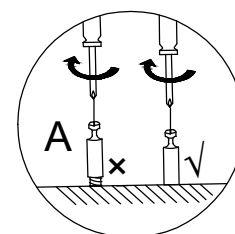
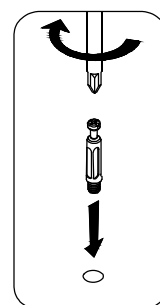
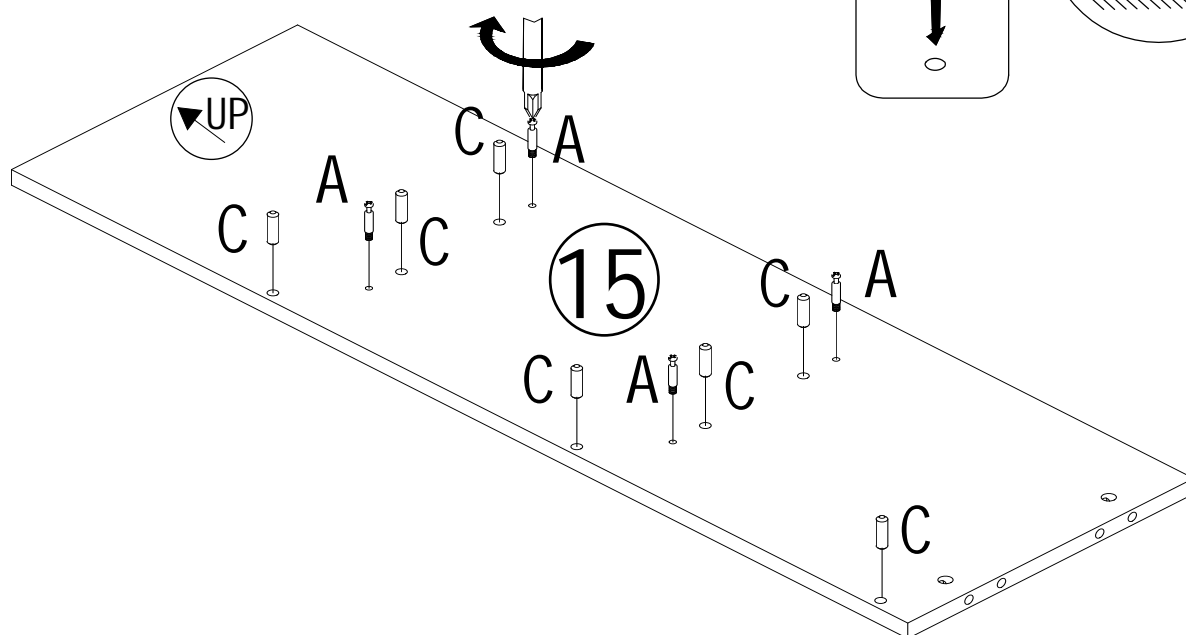
| | |
|---|----------|
|  | E × 4PCS |
|---|----------|

STEP 7

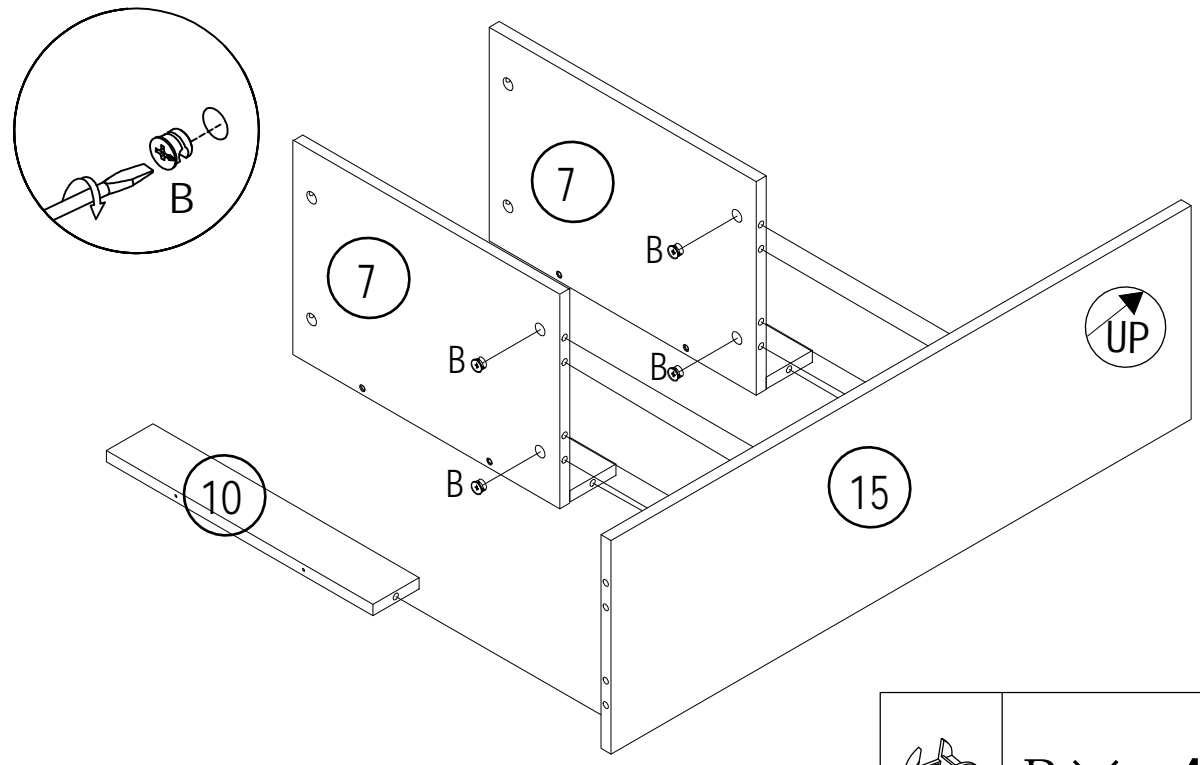
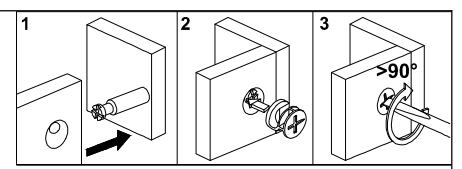
X4



STEP 8

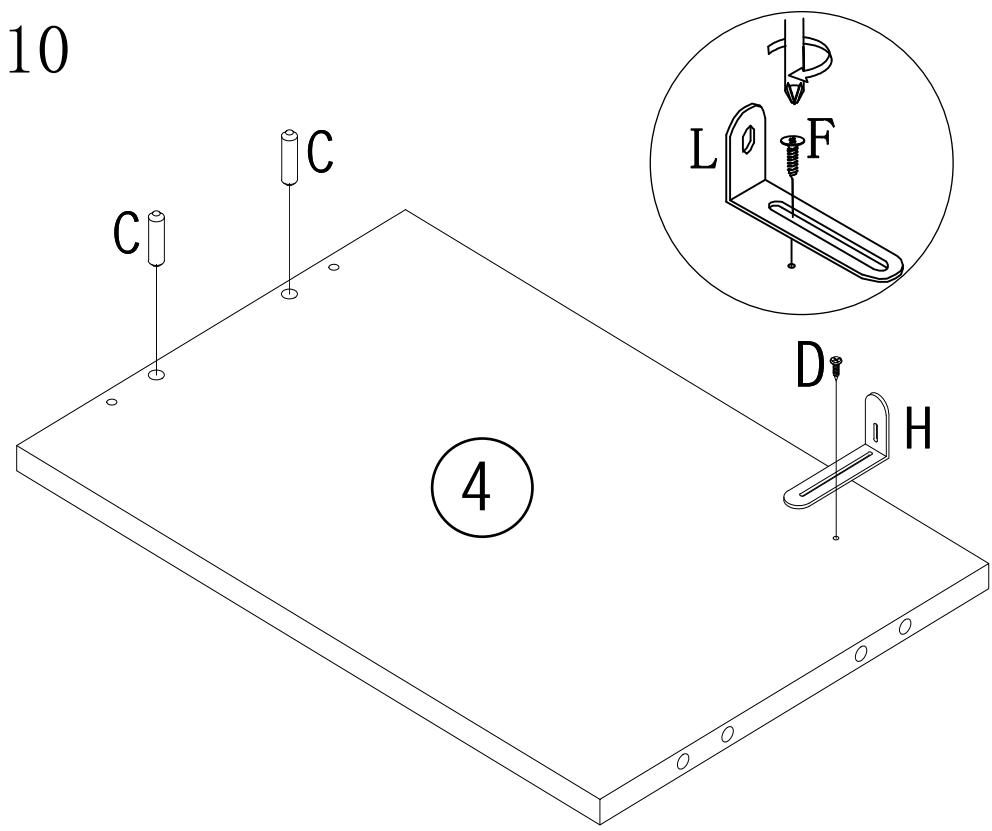


STEP 9



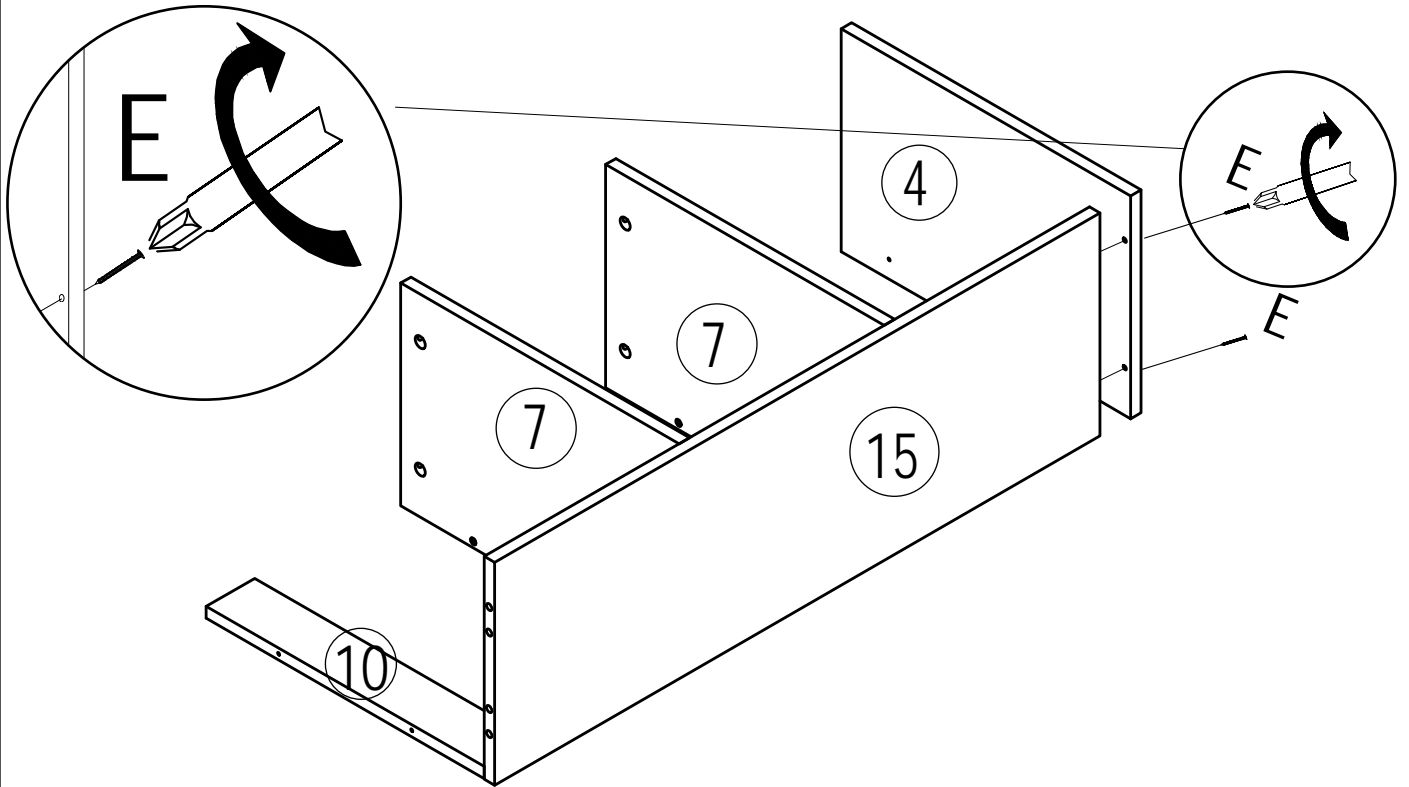
| | |
|--|----------|
| | B × 4PCS |
|--|----------|

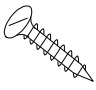
STEP 10



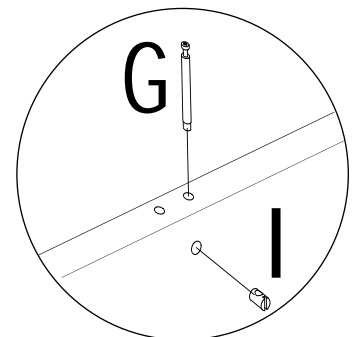
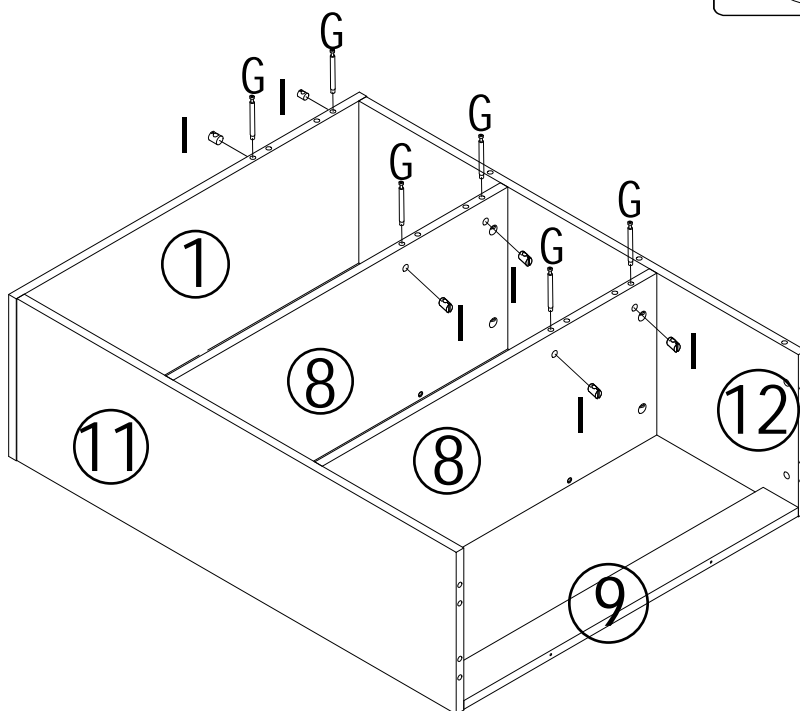
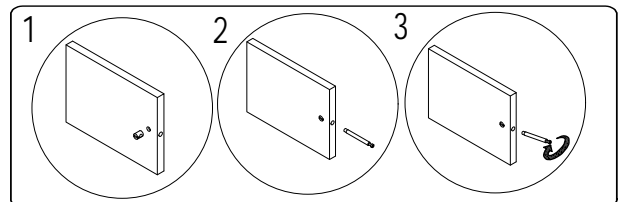
| | | | | |
|----------|--|----------|--|-----------|
| D × 1PCS | | H × 1PCS | | C × 2 PCS |
|----------|--|----------|--|-----------|

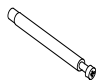

STEP 11



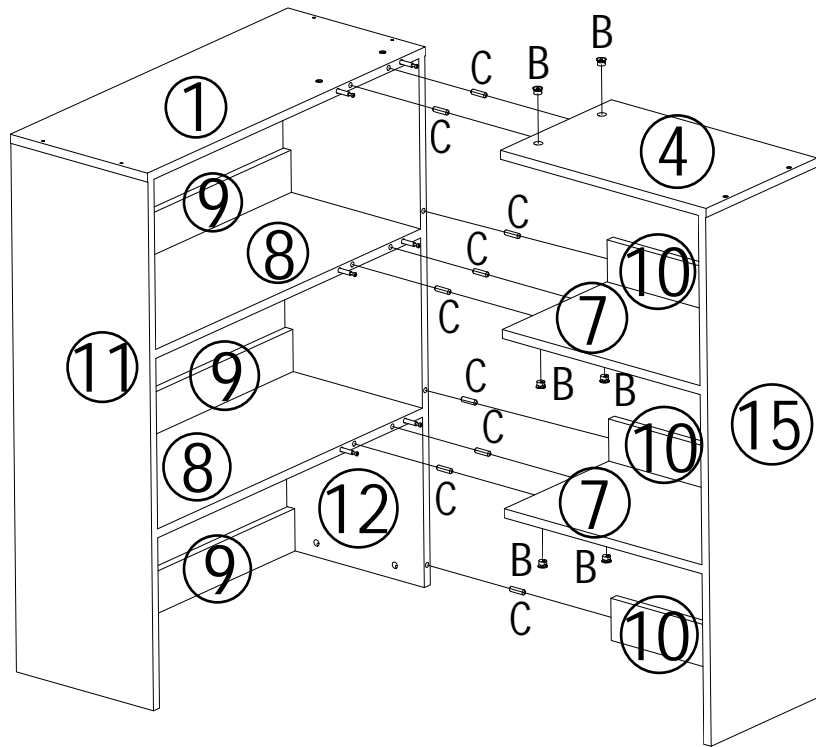
| | |
|---|-----------|
|  | E × 2 PCS |
|---|-----------|



STEP 12



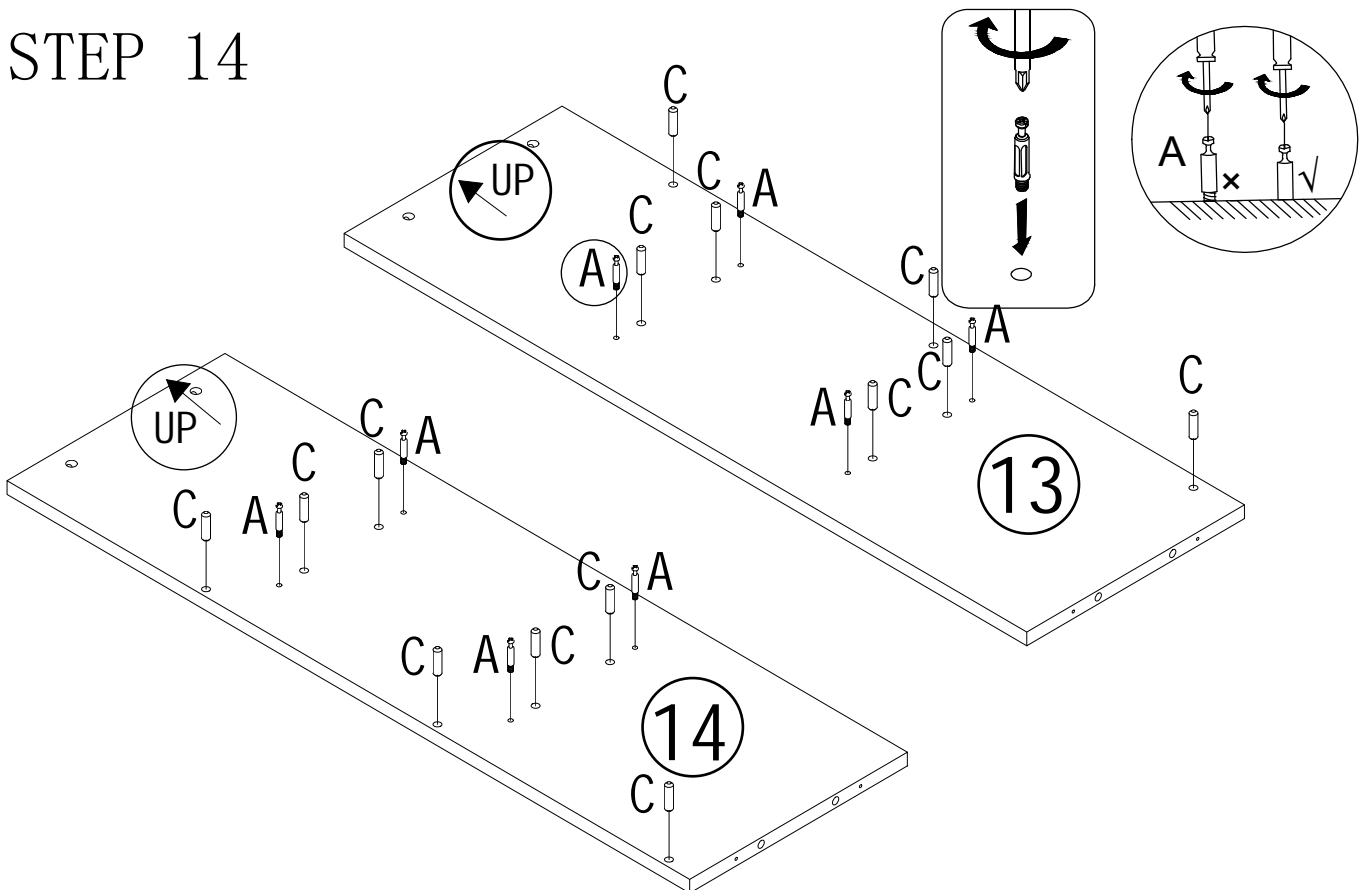
| | |
|---|-----------|
|  | G × 6 PCS |
|  | I × 6 PCS |



STEP 13



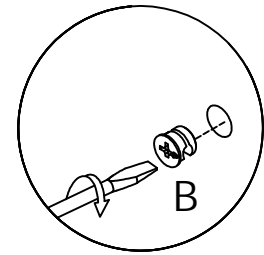
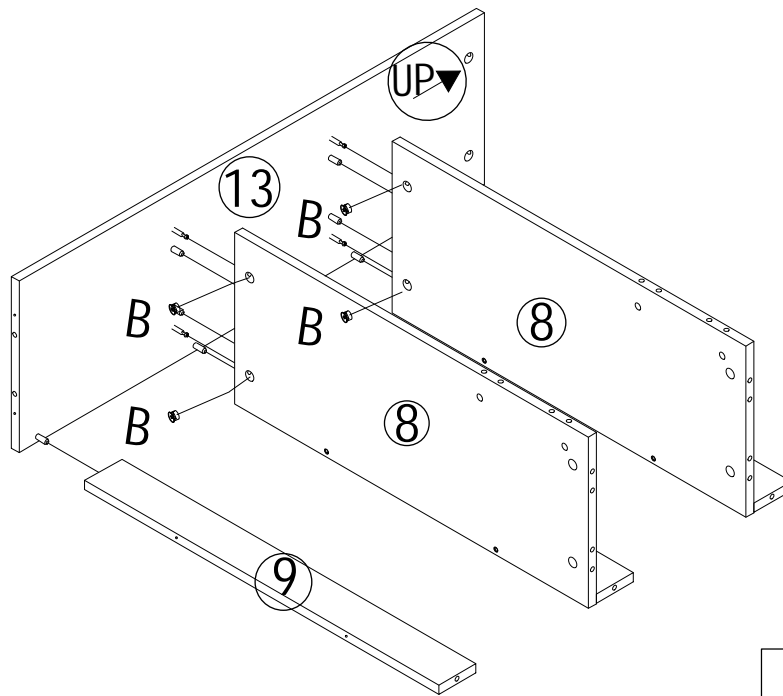
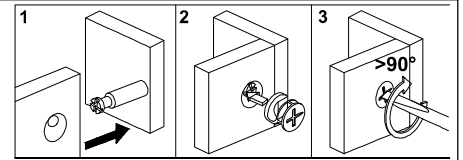
| | | | |
|---|----------|---|----------|
|  | C × 9PCS |  | B × 6PCS |
|---|----------|---|----------|

STEP 14

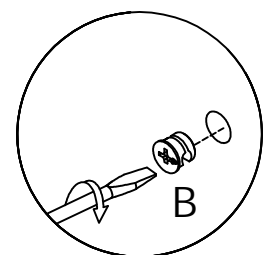
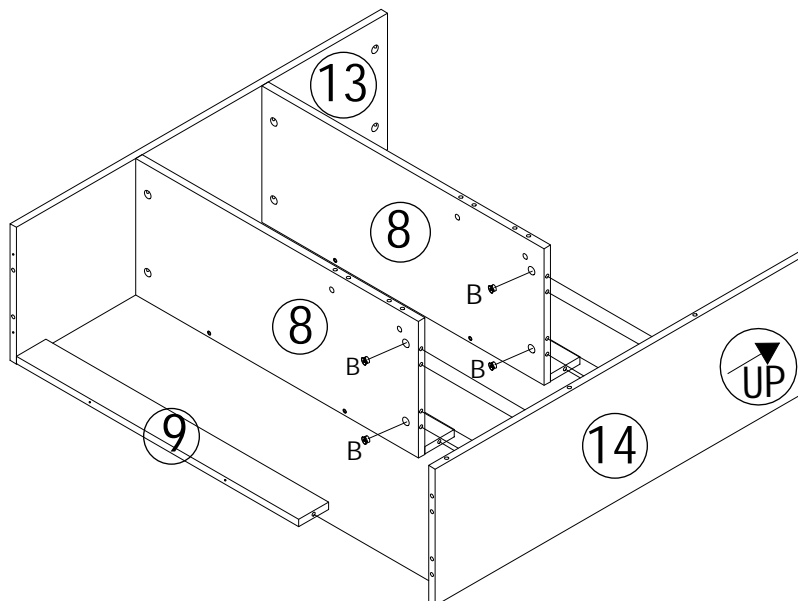
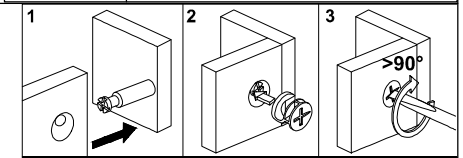


| | | | |
|---|-----------|---|----------|
|  | C × 14PCS |  | A × 8PCS |
|---|-----------|---|----------|

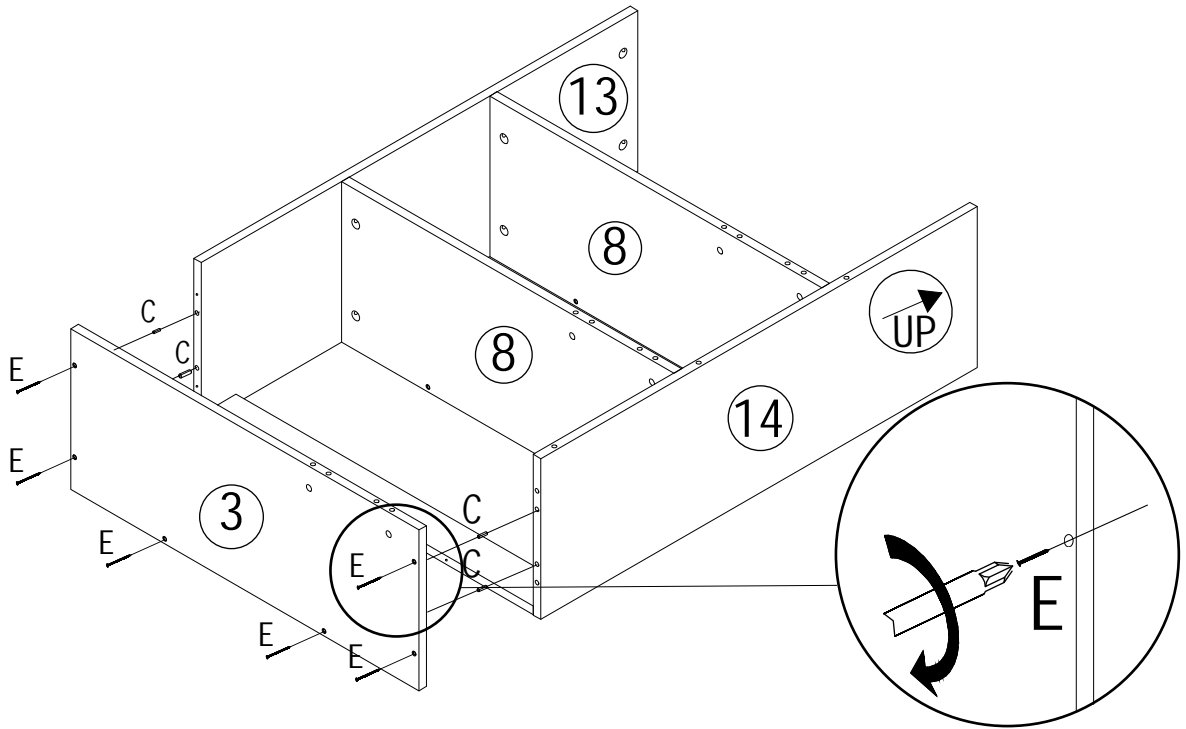
STEP 15

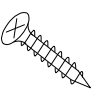
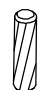


STEP 16

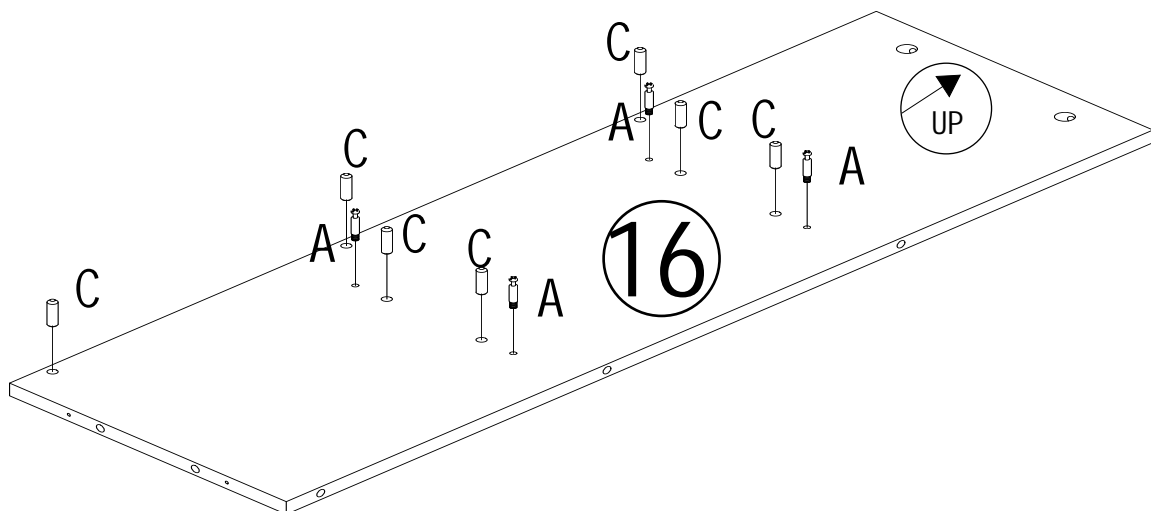
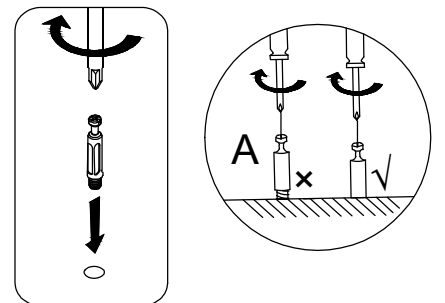



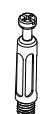
STEP 17



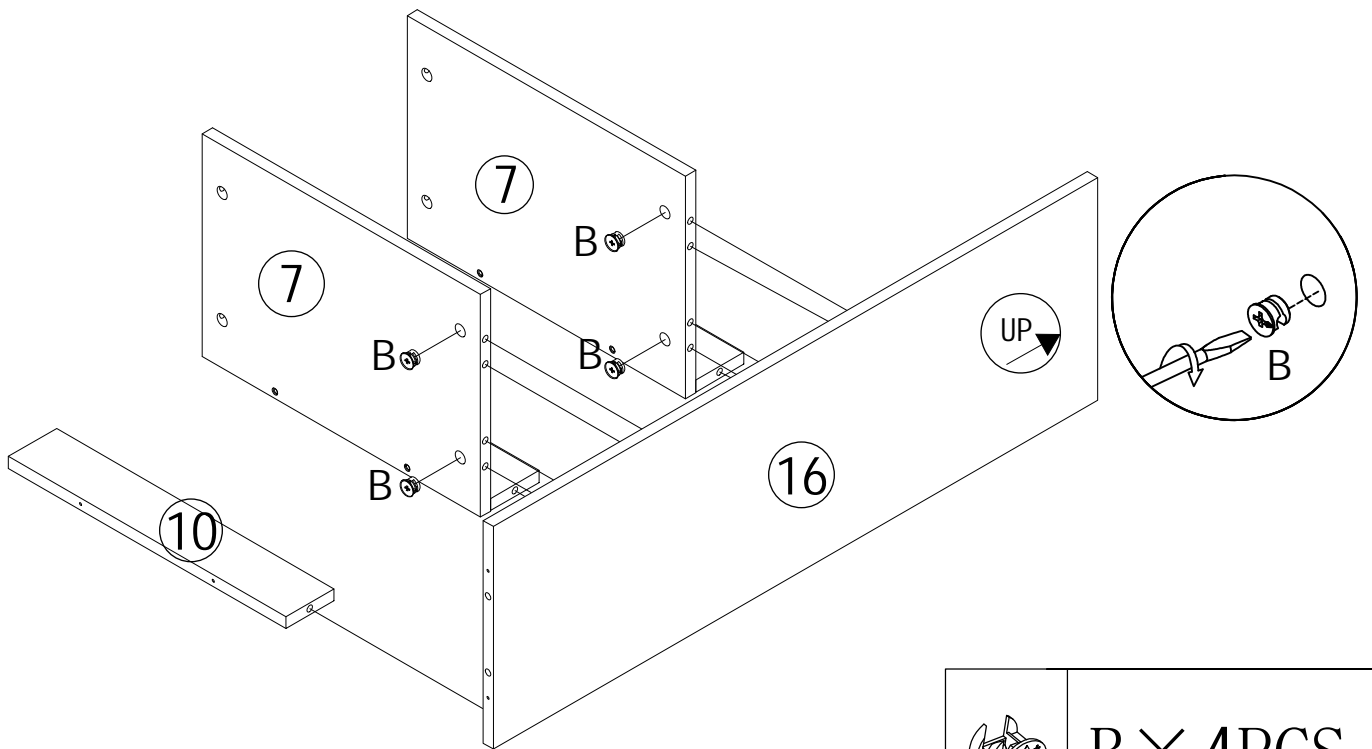
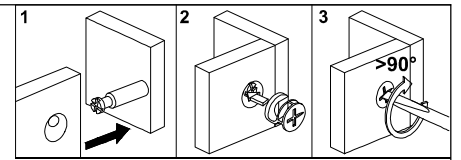
| | | | |
|---|-----------------|---|-----------------|
|  | $E \times 6PCS$ |  | $C \times 4PCS$ |
|---|-----------------|---|-----------------|

STEP 18



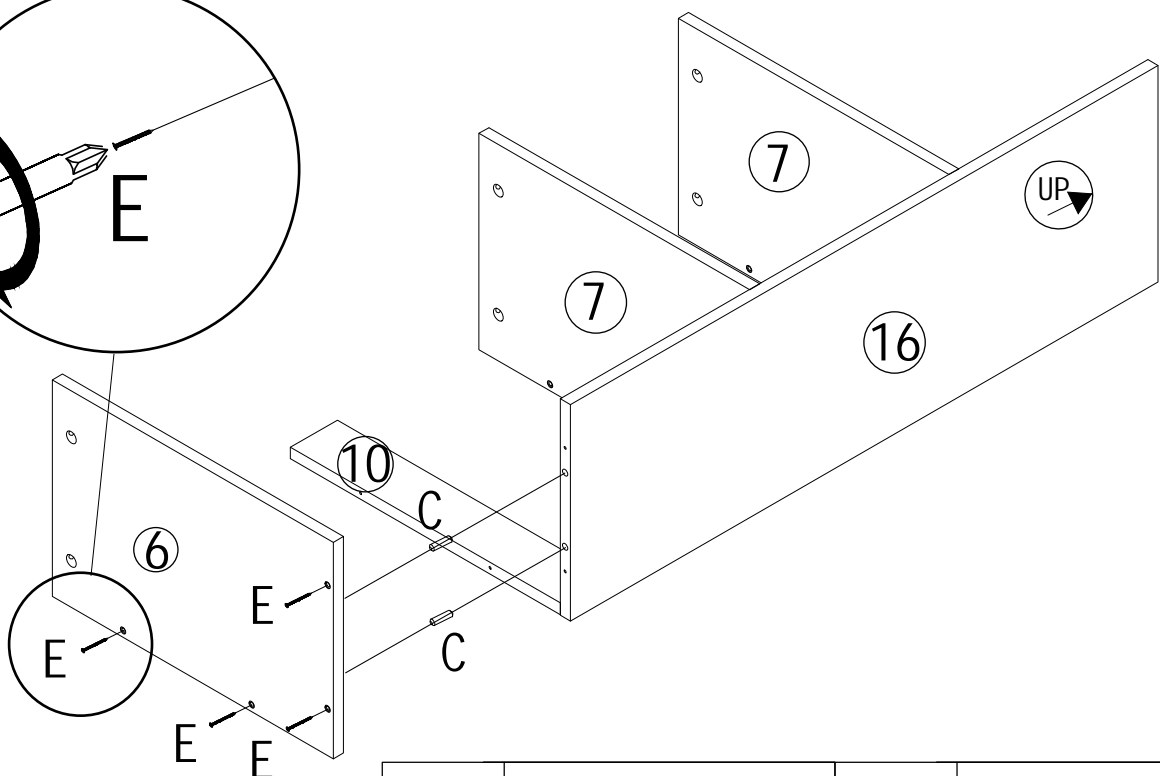
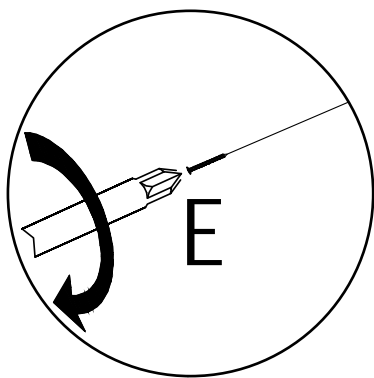
| | | | |
|---|-----------------|---|-----------------|
|  | $C \times 7PCS$ |  | $A \times 4PCS$ |
|---|-----------------|---|-----------------|

STEP 19



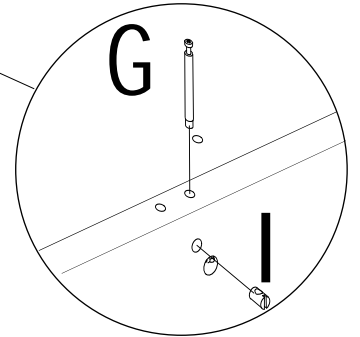
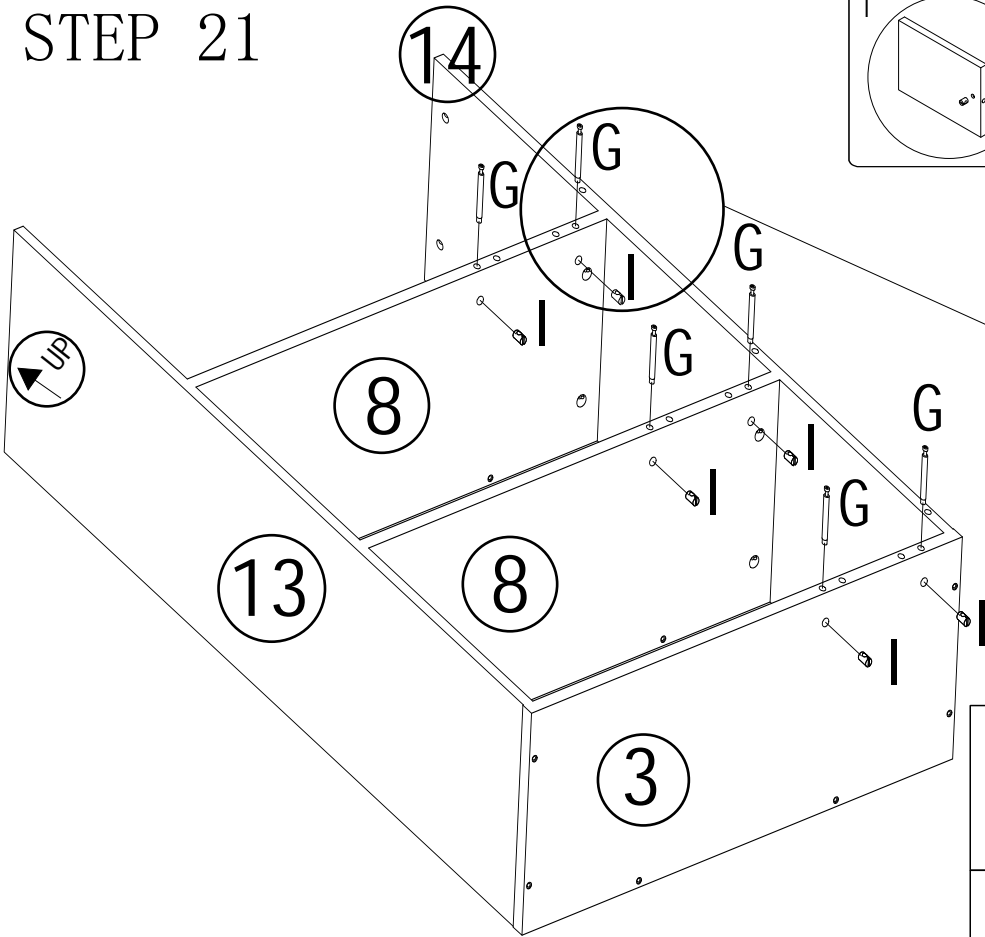
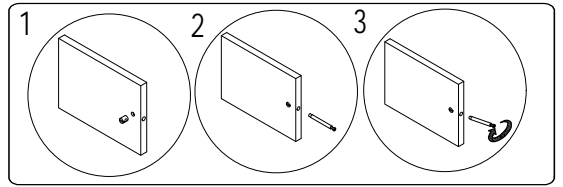
| | |
|--|--|
| | <p>$B \times 4\text{PCS}$</p> |
|--|--|

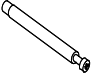

STEP 20



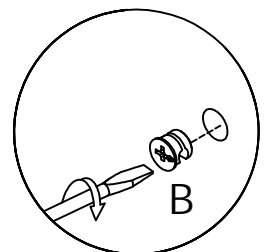
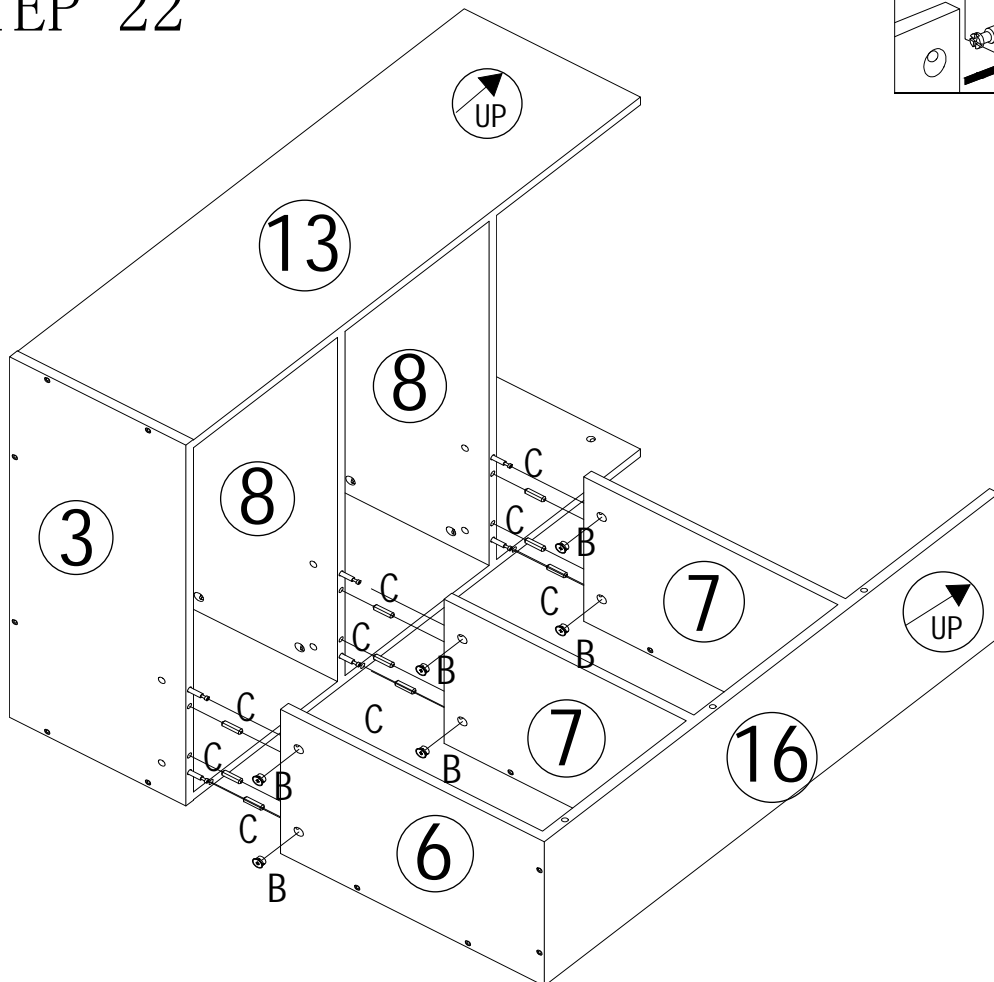
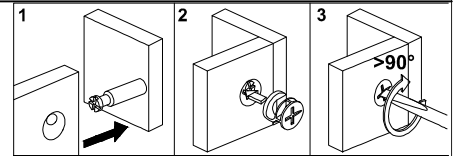
| | | | |
|--|--|--|--|
| | <p>$E \times 4\text{PCS}$</p> | | <p>$C \times 2\text{PCS}$</p> |
|--|--|--|--|



STEP 21



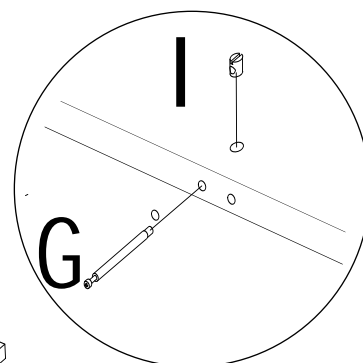
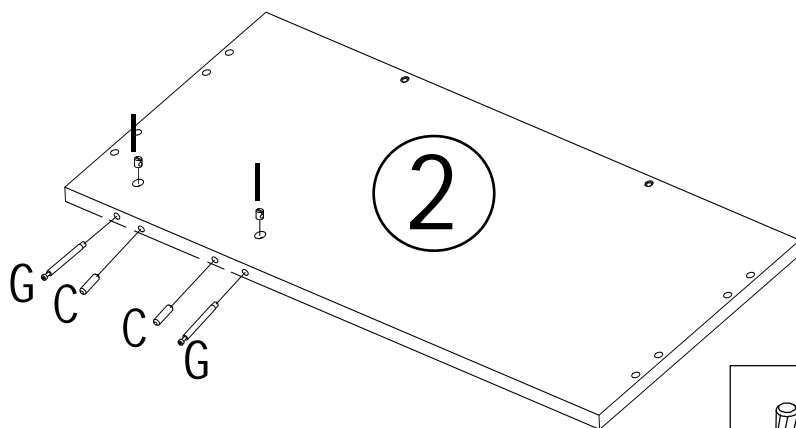
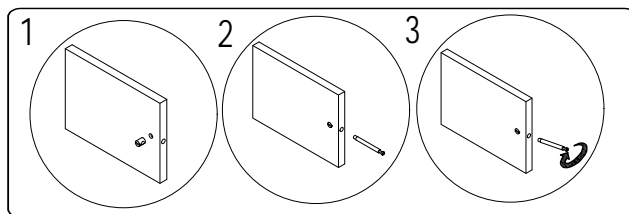
| | |
|---|----------|
|  | G × 6PCS |
|  | I × 6PCS |



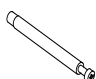
STEP 22



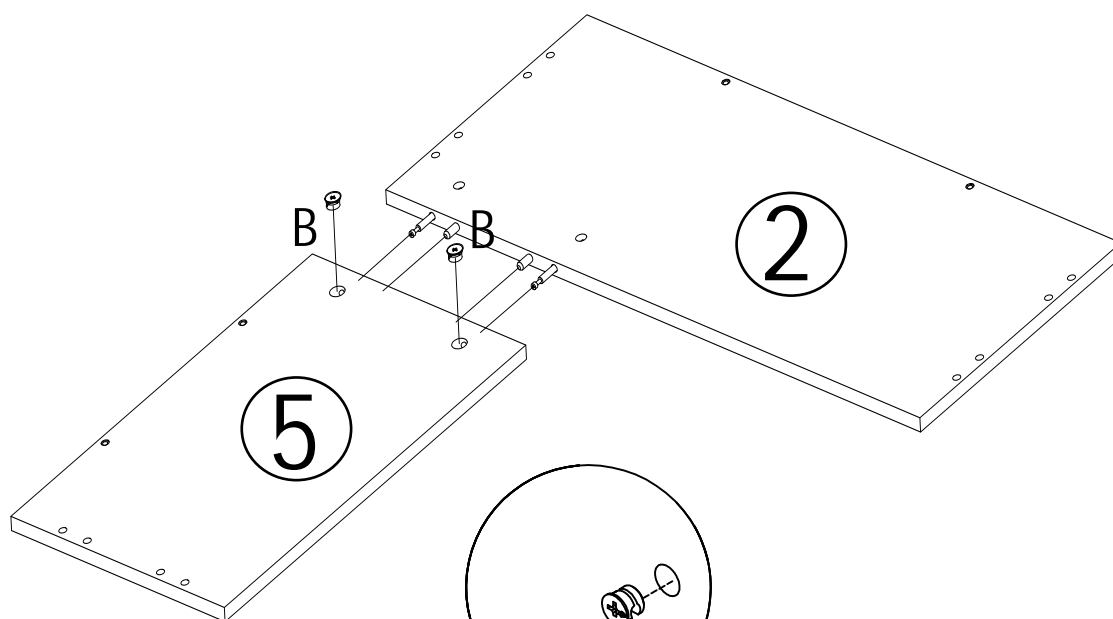
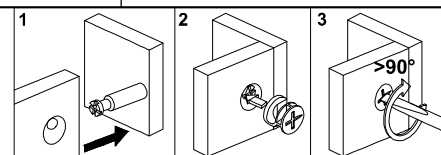
| | |
|---|----------|
|  | B × 6PCS |
|  | C × 9PCS |


STEP 23



| | |
|---|----------|
|  | C × 2PCS |
|  | I × 2PCS |
|  | G × 2PCS |

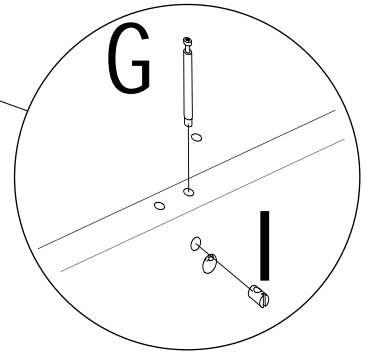
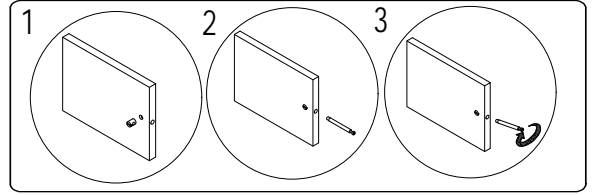
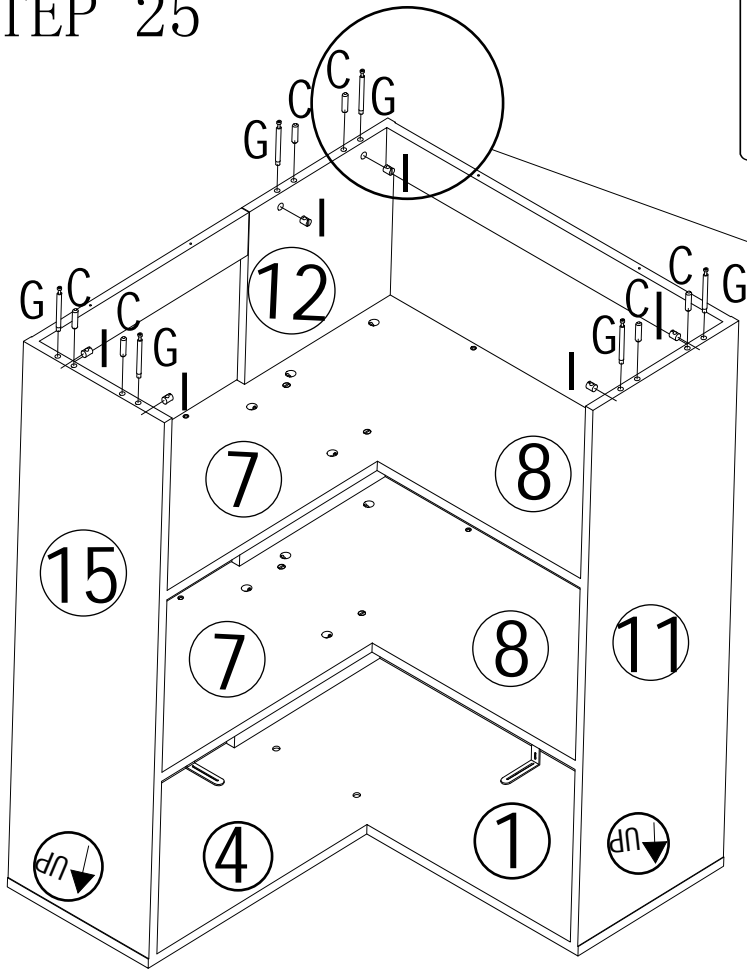
STEP 24


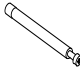



| | |
|---|----------|
|  | B × 2PCS |
|---|----------|

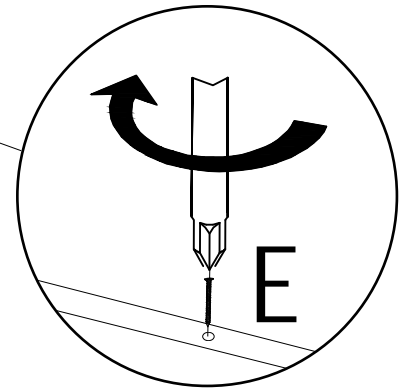
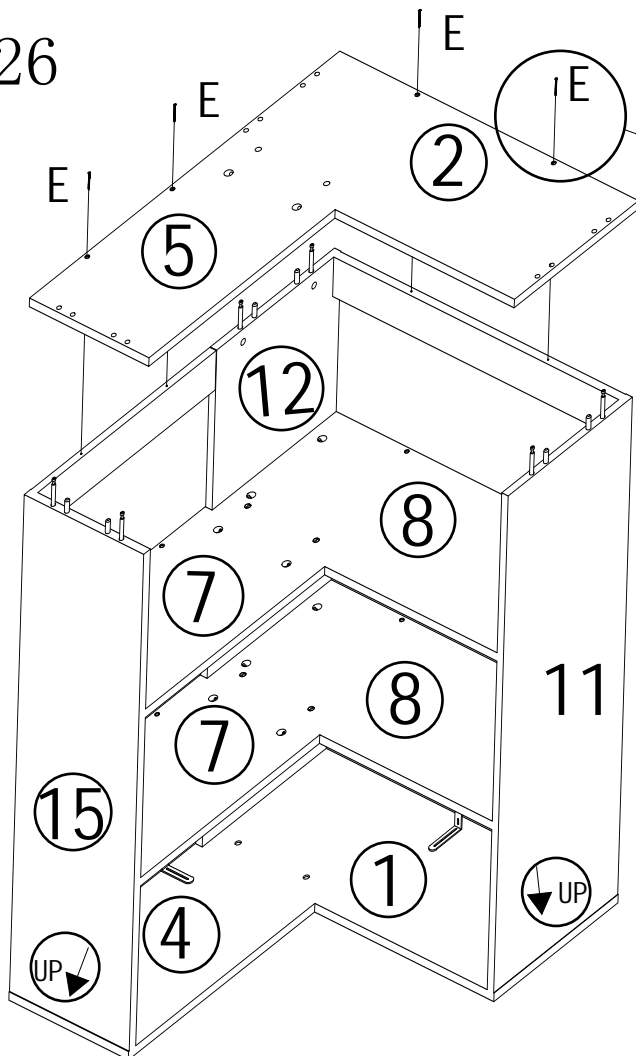
Assembly (EN) /Montageschritte (DE)

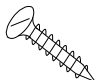
STEP 25



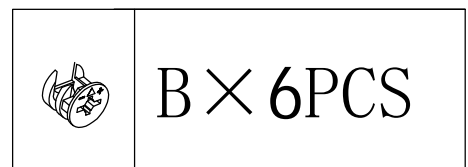
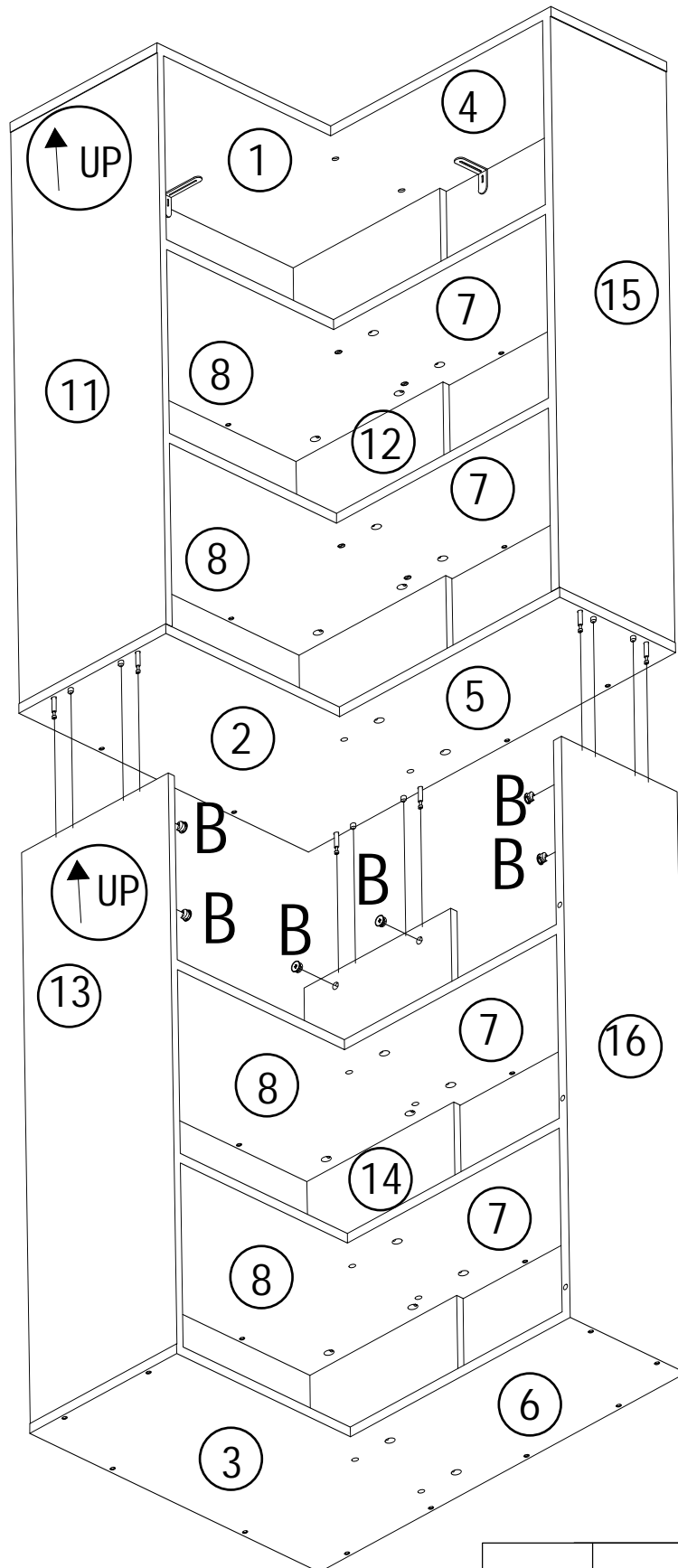
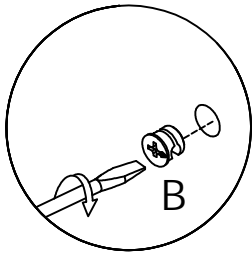
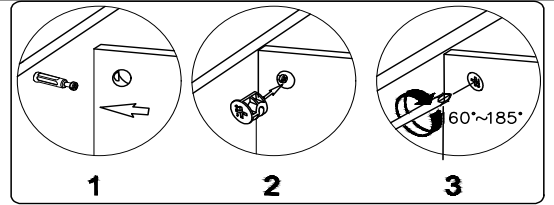
| | |
|---|----------|
|  | I × 6PCS |
|  | G × 6PCS |
|  | C × 6PCS |

STEP 26



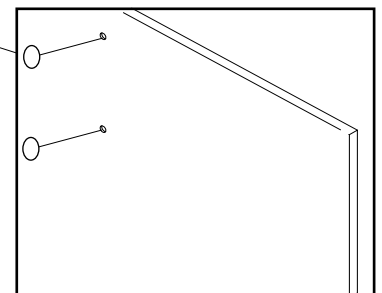
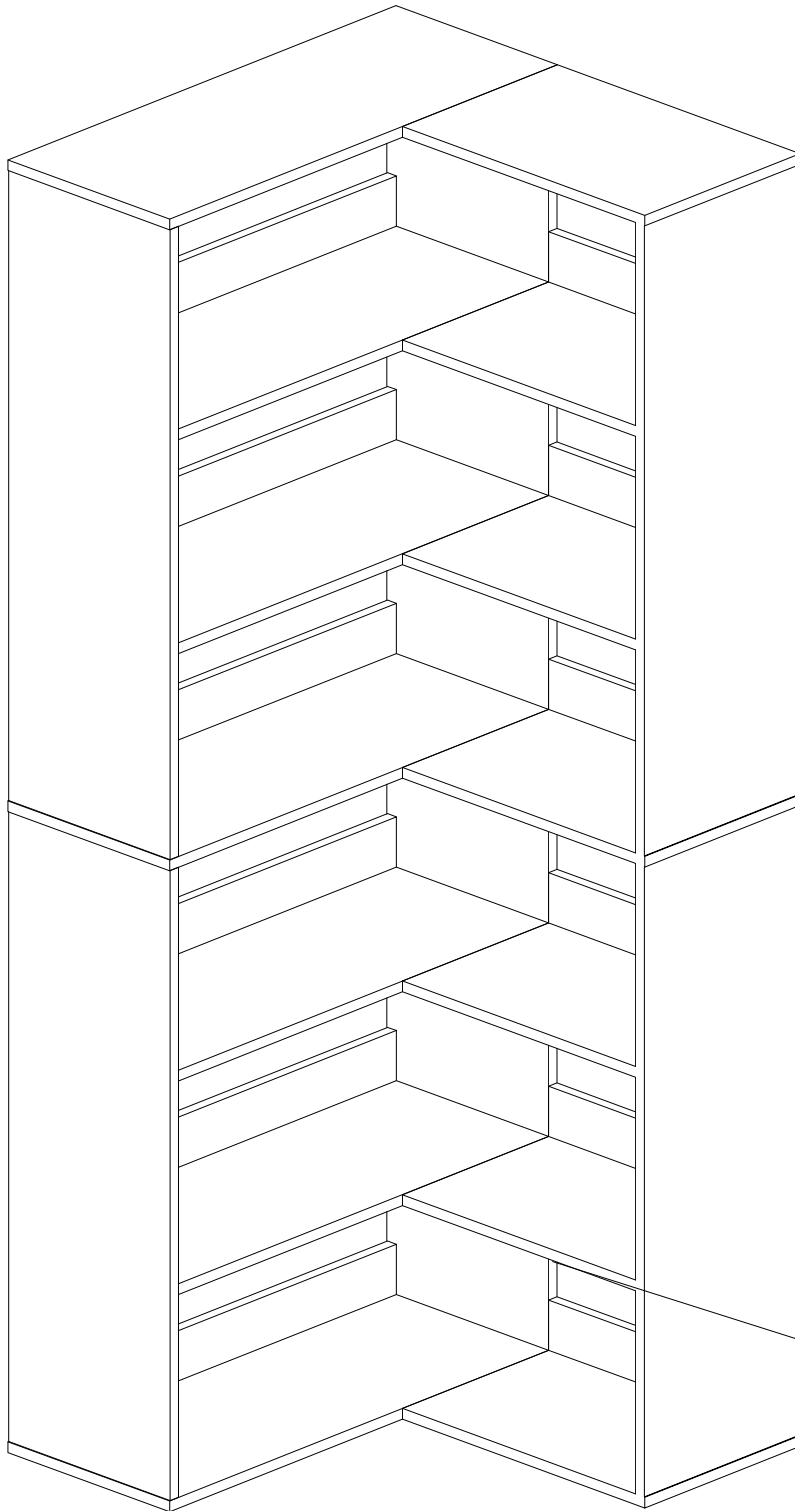
| | |
|---|----------|
|  | E × 4PCS |
|---|----------|

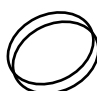
STEP 27



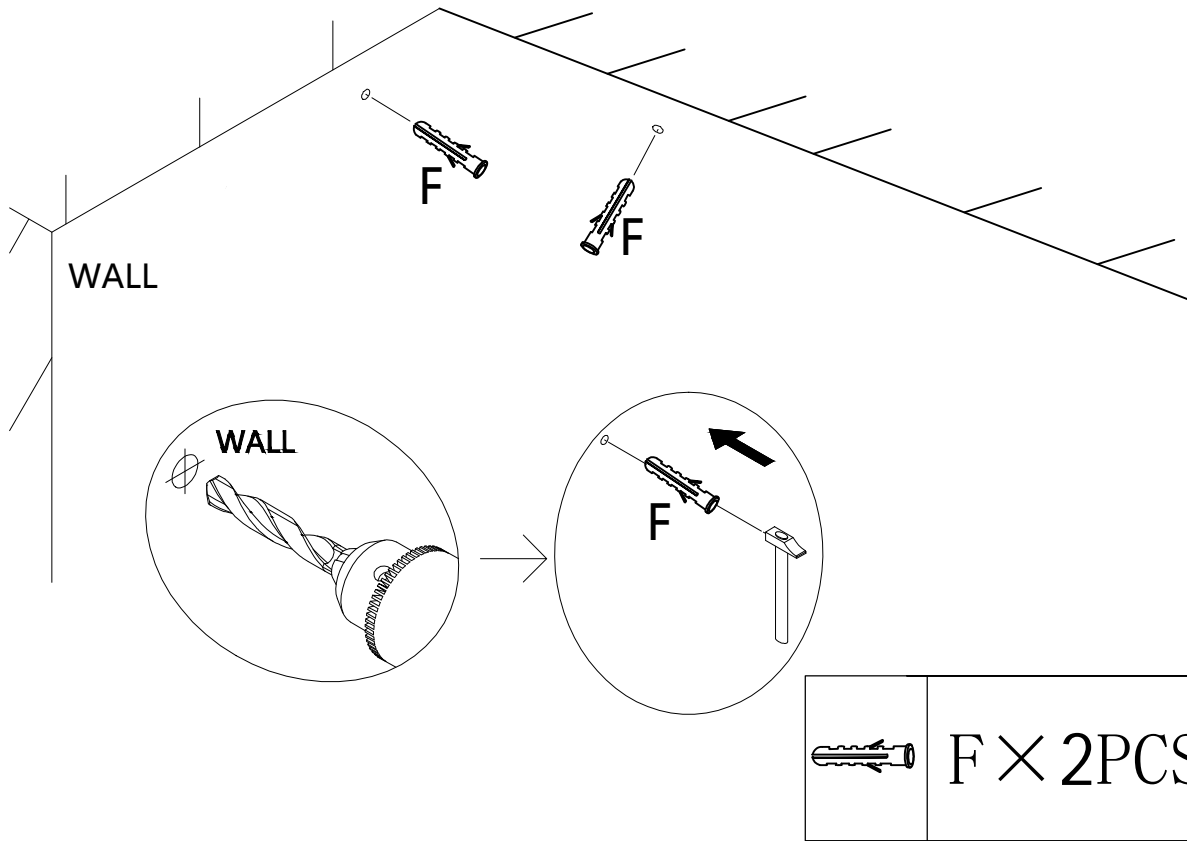
STEP 28

The upper and lower holes in these three places can be attached with hole sticker J.

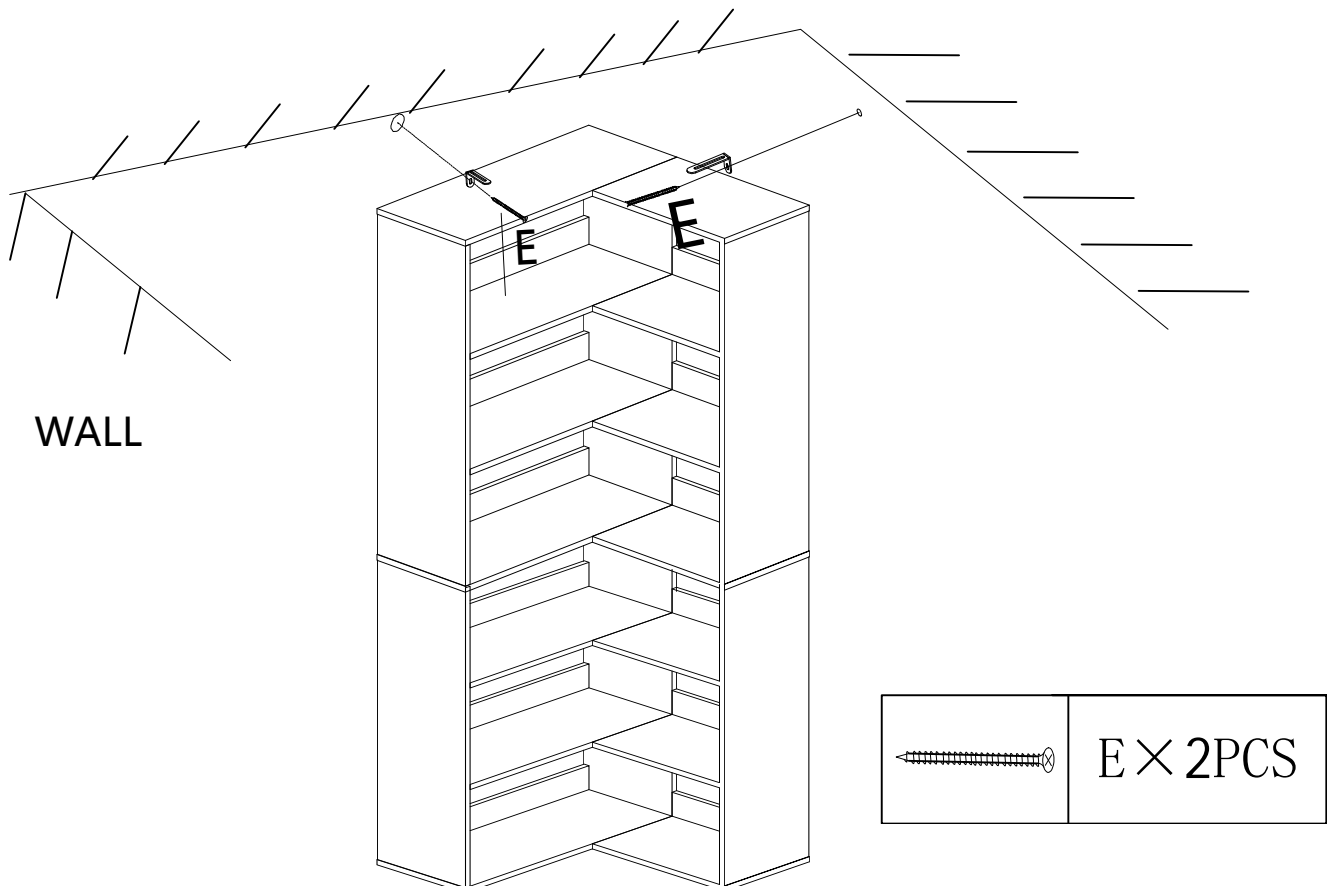


| | |
|---|------------------|
|  | J × 20PCS |
|---|------------------|

STEP 29



STEP 30



Note: Toppling preventer must be installed other wise there is a risk of tipping.

