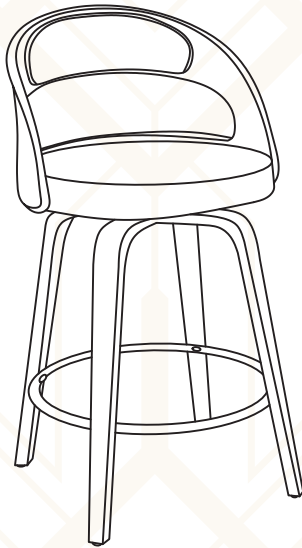


## BAR STOOLS






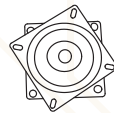





### **Thanks for choosing our products.**

When using the product, basic safety precautions should be always followed to reduce the risk of injury, including the following:

1. This product must be assembled by an adult.
2. Keep children and pets away while assembling the product.
3. Remove all the packing materials and review all components before assembly. If the item is defective, damaged or lack of components, please send clear photos and contact our after-sales mailbox immediately. Thank you.
4. Do not over-tighten the screws.

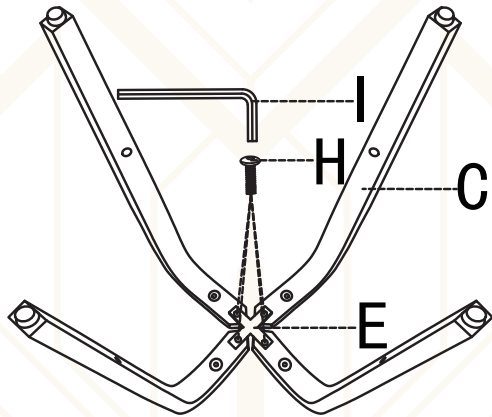
5. To avoid scratching the floor, assemble the product on a soft surface, such as a carpet.
6. Do not use this product if any parts are missing, damaged, or worn.
7. Always use the product on a firm level ground.
8. Do not let the children climb on or play with the product.
9. Do not stand on the seat.
10. Keep all sharp objects away from the upholstery.
11. Regularly examine the product for wear and tear.
12. Stop using the product at the first sign of damage or if the parts detached.

## DISPLAY AND LABEL OF PARTS FOR 1 CHAIR

Ax1	Bx1	Cx4
		
Dx1	Ex1	Fx4
		 M6*35mm
Gx4	Hx8	Ix1
 M6x16mm	 M6*25mm	

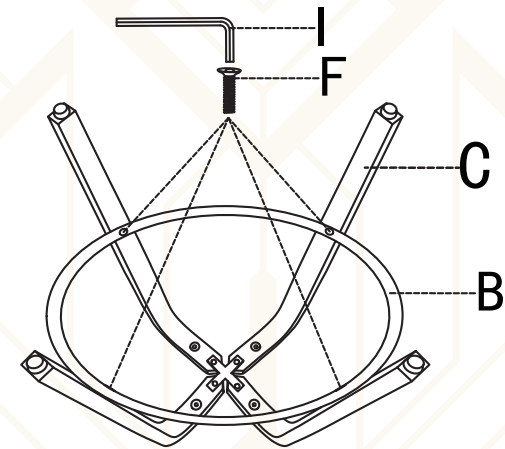
Tip: There are 2 screw packs

## STEP 1



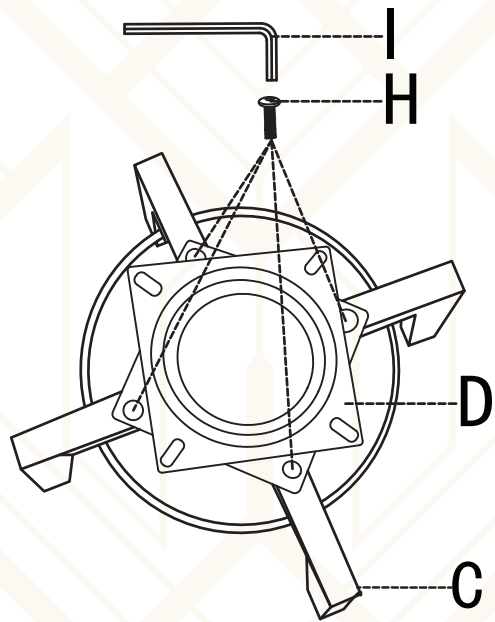
Place (E) on (C) as displayed, then twist screw (H) to connect them.  
Only twist (H) into halfway in this step.

## STEP 2



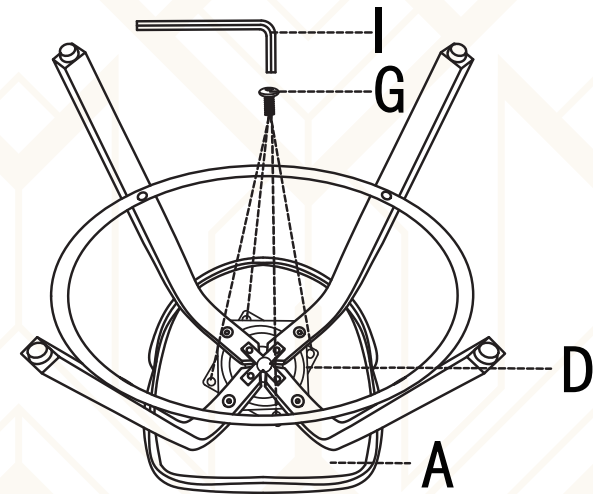
Place (B) on (C) as displayed, then twist screw (F) to connect them.  
Tighten screws (F) and (H) completely.

### STEP 3



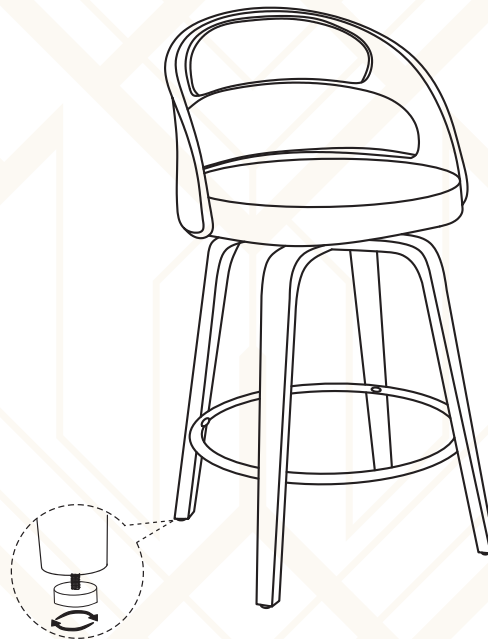
Twist Screw (H) to connect the (D) with (C).

### STEP 4



Twist Screw (G) to connect the (A) with (D).

## STEP 5



If you feel that the chair is leaning to one side due to an uneven ground, rotate the foot pads to adjust it.