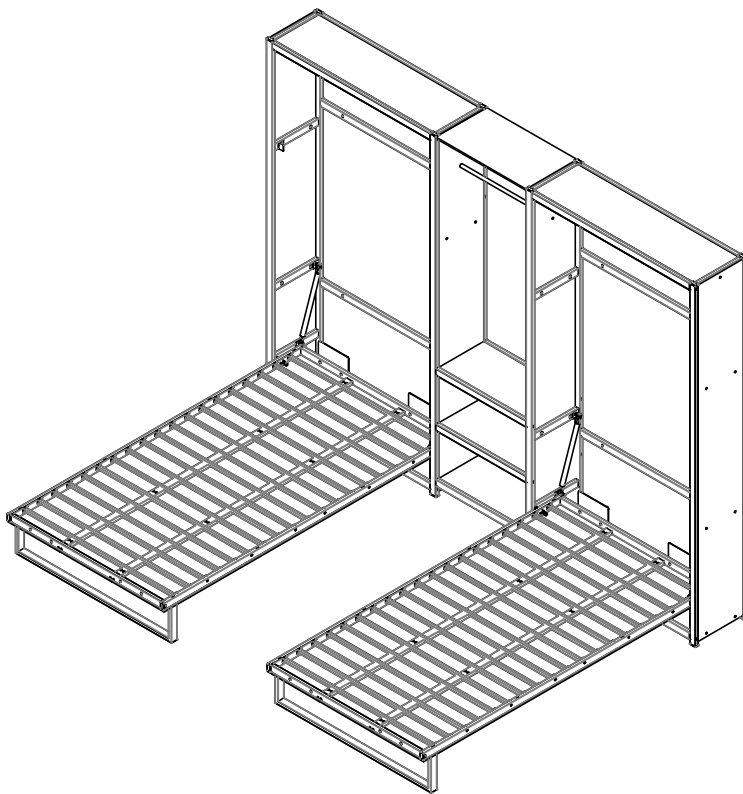


THE BED ASSEMBLY INSTRUCTIONS



Attention

Please use the screws according to the instructions, thank you.

Page 1

SAFETY WARNINGS AND GENERAL NOTES:

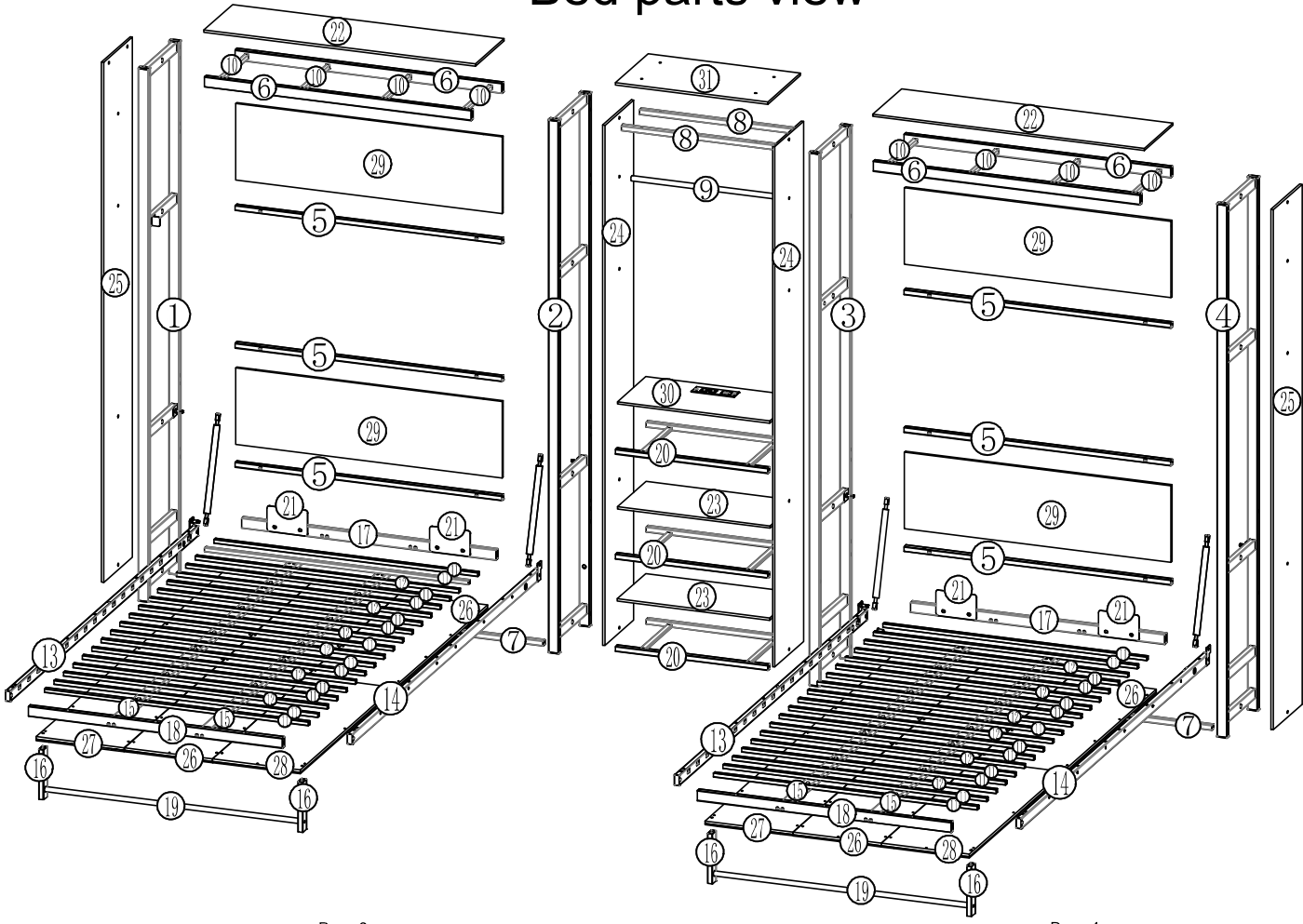
1. Follow the information on the warnings on the bunk bed end structure and on the carton. Do not remove the warning label from the bed.
2. Always use the recommended size mattress on mattress support, or both, to help prevent the likelihood of entrapment or falls.
3. Do not allow children under 6 years of age to use the upper bunk.
4. Periodically check and ensure the guardrail, ladder and other components are in their proper position, free from damage, and all connectors are tight.
5. Do not allow horseplay on or under beds.
6. Always prohibit jumping on the bed.
7. Prohibit more than one person on upper bunk.
8. Always use the ladder for entering and leaving the upper bunk.
9. Do not use substitute parts. Contact the manufacturer or dealer for replacement parts.
10. Use of a night-light may provide added safety precaution for a child using the upper bunk.
11. Always use guardrails on both long sides of the upper bunk.
12. If the bunk bed is placed adjacent to a wall, the full-length guardrail must be positioned flush against the wall to prevent entrapment hazards. Waterbeds and inflatable mattresses are strictly prohibited.
13. STRANGULATION HAZARD- Never attach or hang items to any part of the bunk bed that are not designed for use with the bed; for example, but not limited to, hooks, belts and jump ropes.
14. Keep these instructions for future reference.
15. We recommend assembling your bunk bed on the shipping carton to protect your floor or carpet.
16. Be certain all staples are out of the box before beginning assembly on the shipping carton.
17. USE ONLY MATTRESSES WHICH ARE AS THE TABLE BELOW ON UPPER AND ON LOWER BUNKS.

Bed Tier	Mattress Type	Length	Width	Thickness
Single Bunk ¹	Twin Standard	74"-75"	38"-39"	8" Max
Single Bunk ²	Twin Standard	74"-75"	38"-39"	8" Max










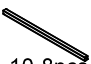


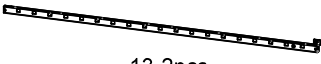
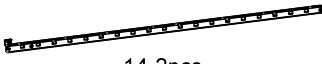

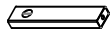

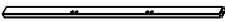
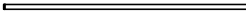
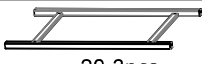
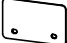
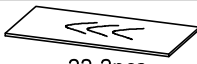
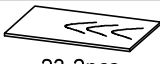
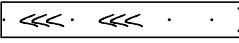
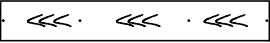
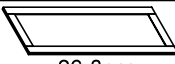
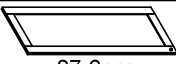
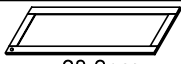
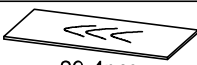
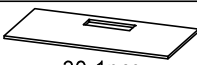
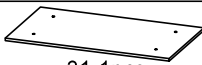
18. SURFACE OF MATTRESS MUST BE AT LEAST 5"(127MM) BELOW THE UPPER EDGE OF GUARDRAILS.
19. Replacement Parts:
Replacement Parts, including additional guardrails, may be obtained from any of our dealers.

Page 2










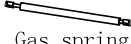






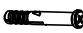





Bed parts view

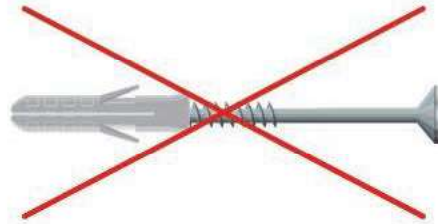
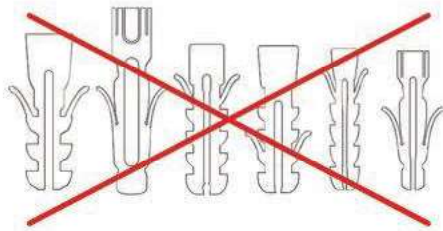


Part List

 1-1pcs	 2-1pcs	 3-1pcs	 4-1pcs
 5-6pcs	 6-4pcs	 7-2pcs	 8-2pcs
 9-1pcs	 10-8pcs	 11-26pcs	 12-12pcs
 13-2pcs	 14-2pcs	 15-4pcs	 16-4pcs
 17-2pcs	 18-2pcs	 19-2pcs	 20-3pcs
 21-4pcs	 22-2pcs	 23-2pcs	 24-2pcs
 25-2pcs	 26-8pcs	 27-2pcs	 28-2pcs
 29-4pcs	 30-1pcs	 31-1pcs	

Hardware List

 A 4*10-2PCS	 B 8*15-30PCS	 C 8*35-22PCS	 D 8*55-44PCS	 E 6*25-52PCS	 F 8*20-14PCS	 G 4*35-18PCS	 H 4*50-22PCS	 L	 Gas spring 4PCS	 K--76PCS
 M	 N	 O-1PCS	 P-1PCS	 R-4PCS	 T M8*80-8PCS	 W M6*50-44PCS	 X 8*70-4PCS	 Y 10*M8*35-4PCS	 Z M8-8PCS	 S 6*30-64PCS



IMPORTANT WARNINGS

INSTALLATION AND APPROPRIATE HARDWARE

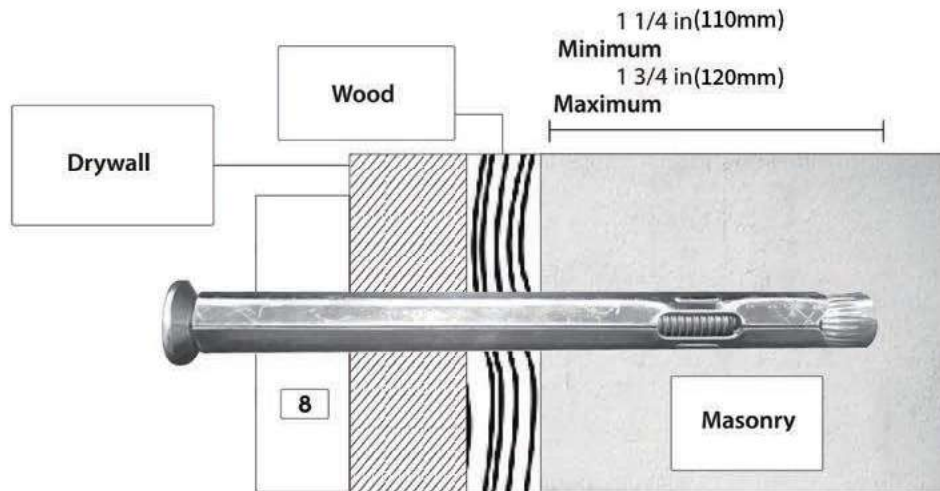
Using appropriate hardware, all the anchor screws of the wall bed must be firmly secured to the wood or metal studs, the structural components, or a masonry wall. **Only wall anchor screws for wood-frame walls are provided with this bed.**

NUMBER OF SCREWS NEEDED

You need a total of six (6) wall anchor screws.

THE SCREWS MUST BE VERY WELL ANCHORED TO THE STRUCTURAL COMPONENTS OF THE WALL.

- 6** Put the bed back in its place. Put the **CONCRETE SCREWS 3/8" (10mm) diameter X APPROPRIATE LENGTH** into the holes of part #8 and screw the bed onto the masonry wall until tight against the wall. Screw must be at least **4 3/8" (110mm)** deep into masonry. **USE AN ELECTRIC SCREWDRIVER WITH AN ADJUSTABLE TENSION CLUTCH THAT HELPS PREVENT OVER-TIGHTENING AND STRIPPING.**



A Guide to Wall Mounting & Fixings

Important note:

If plastic wall plugs (rawl plugs) are supplied with your product, e.g.:



- these are only suitable for use in masonry walls.

If you are in any doubt about the correct wall plugs for your wall, seek professional advice.


Failure of the product due to using the incorrect fixings is the responsibility of the installer.



Important: when drilling into walls always check that there are no hidden wires or pipes etc.

Make sure that the screws and wall plugs being used are suitable for **supporting your unit**. **Consult a qualified tradesperson if you are unsure.**

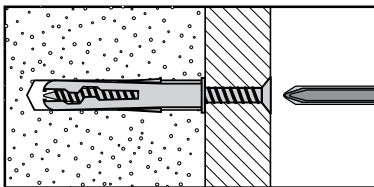
Hints:

- 1: General rule:  always use a larger screw and wall plug if you are not sure.
- 2: Ensure you use the recommended drill bit to match the wall plug and hole size.
- 3: Ensure you drill the hole horizontally; do not force the drill or enlarge the hole.
- 4: Take extra care when drilling high walls, ceilings and ceramic tiles. Ensure wall plugs are inserted beyond the thickness of the ceramic tiles to avoid the tiles splitting or cracking.
- 5: Ensure wall plugs are well fitted and are a tight fit in the drilled hole.

Types of walls

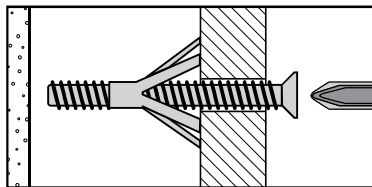
You can use one of the following types of wall plug if your walls are made of brick, breeze block, concrete, stone or wood.

No.1 "General Purpose" wall plug



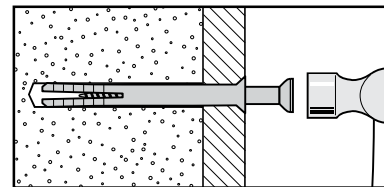
Generally aerated blocks should not be used to support heavy loads, use a specialist fitting in this case. For light loads, general purpose wall plugs can be used.

No.3 "Cavity Fixing" wall plug



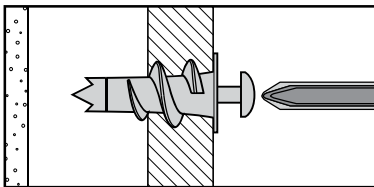
For use with plasterboard partitions or hollow wooden doors.

No.5 "Hammer Fixing" wall plug



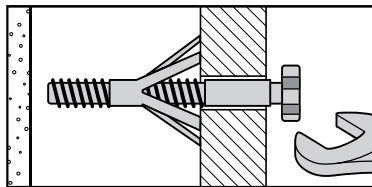
For use with walls stuck with plasterboard. The hammer fixing allows it to be fixed to the wall rather than the plasterboard. Always check the fixing is secure to the retaining wall.

No.2 "Plasterboard" wall plug



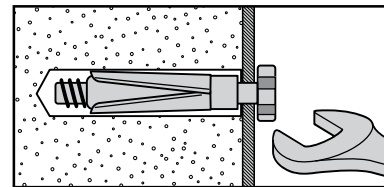
For use when attaching light loads onto plasterboard partitions.

No.4 "Cavity Fixing - Heavy Duty" wall plug



For use when fitting or supporting heavy loads such as shelving, wall cabinets and coat racks.

No.6 "Shield Anchor" wall plug - heavy loads



For use with heavier loads such as TV and HiFi speakers and satellite dishes etc.

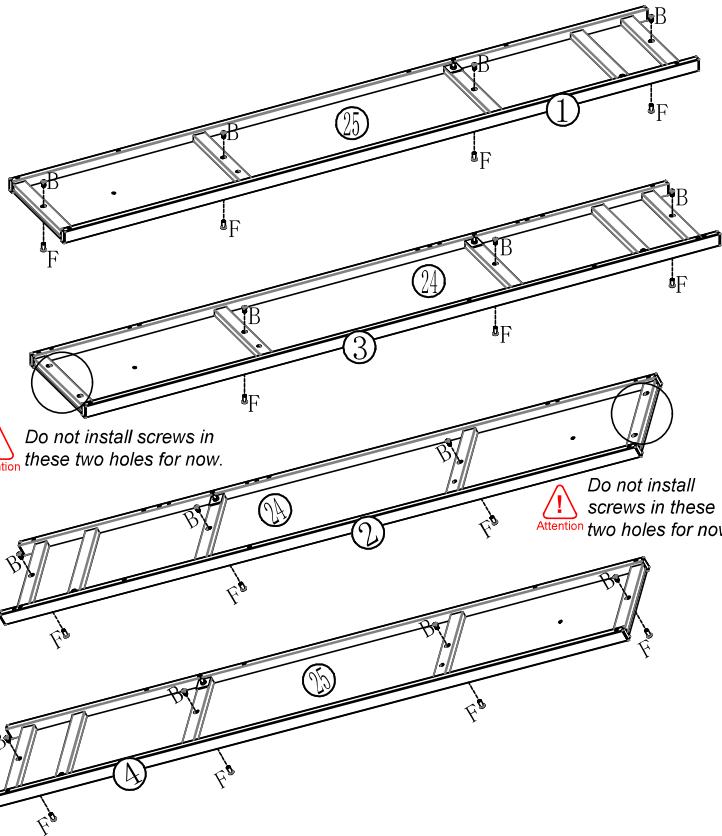


Care & Maintenance

Safety: always check the fitting and location to ensure your safety in and around the home.


Fitting: from time to time check the fitting to ensure the wall plugs or screws do not become loose.


Step 1: Use hardware L, B,F to connect #1, #25,#2, #3,#24,#2, #24,#4 and #25 together.




Attention Do not install screws in these two holes for now.

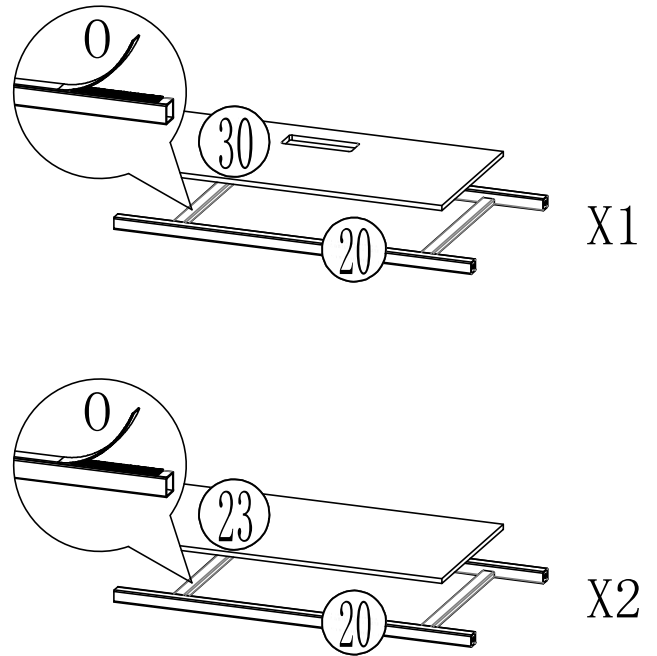
Attention Do not install screws in these two holes for now.


B
8*15-14PCS


F
8*15-14PCS


L

Step 2: Use hardware O to connect #20, #30 together. Then Use hardware O to connect #20, #23 together.

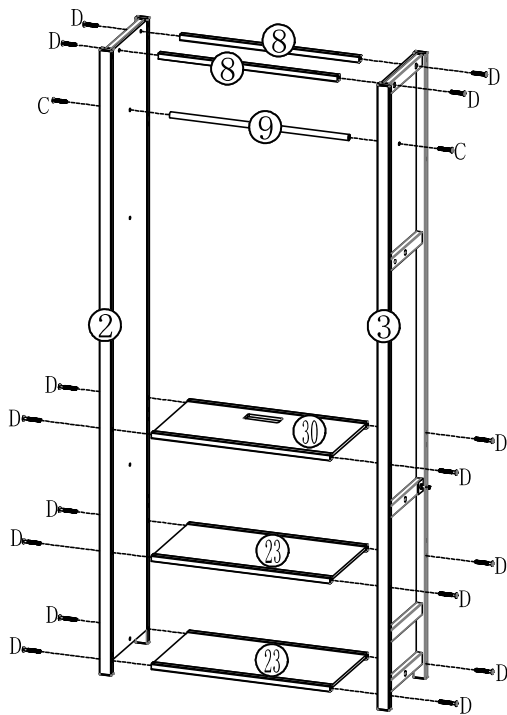



X1


X2



O

Step 3: Use hardware L, C,D to connect #2, #3, #8, #9 and #20 together.



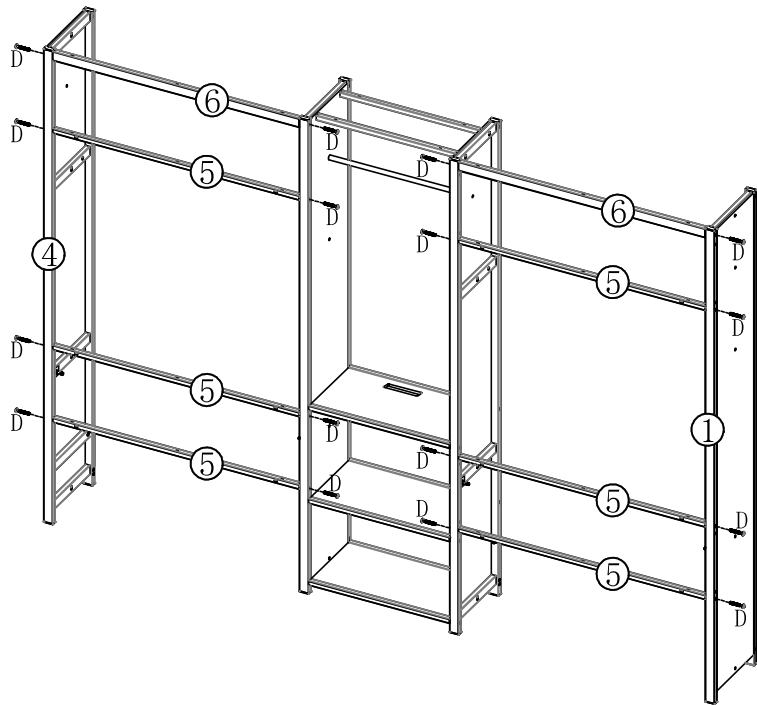

C
8*35-2PCS



D
8*55-16PCS



L

Page 9

Step 4: Use hardware L, D to connect #1,#4,#5 and #6 to the previously installed components.

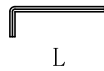
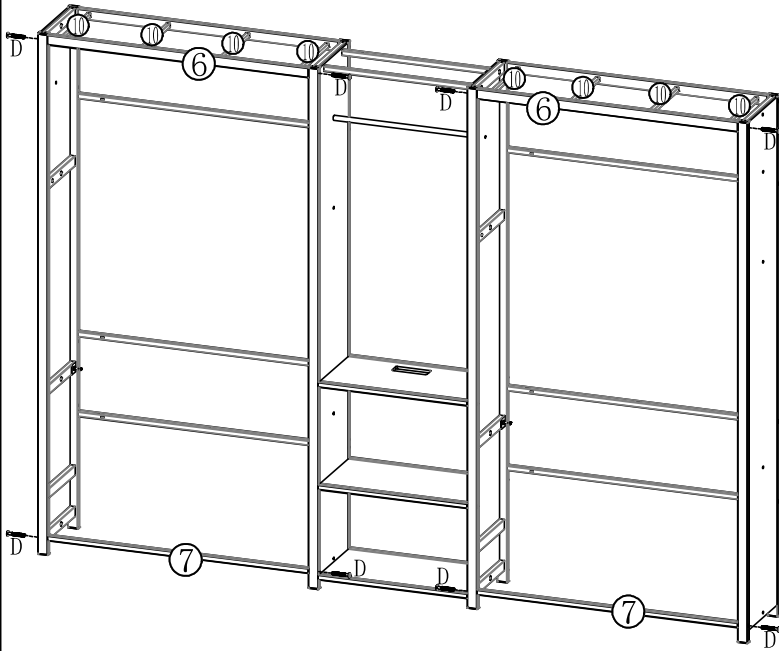



D
8*55-16PCS


L

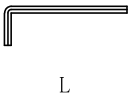
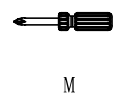
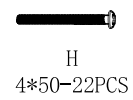
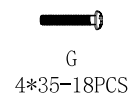
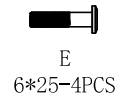
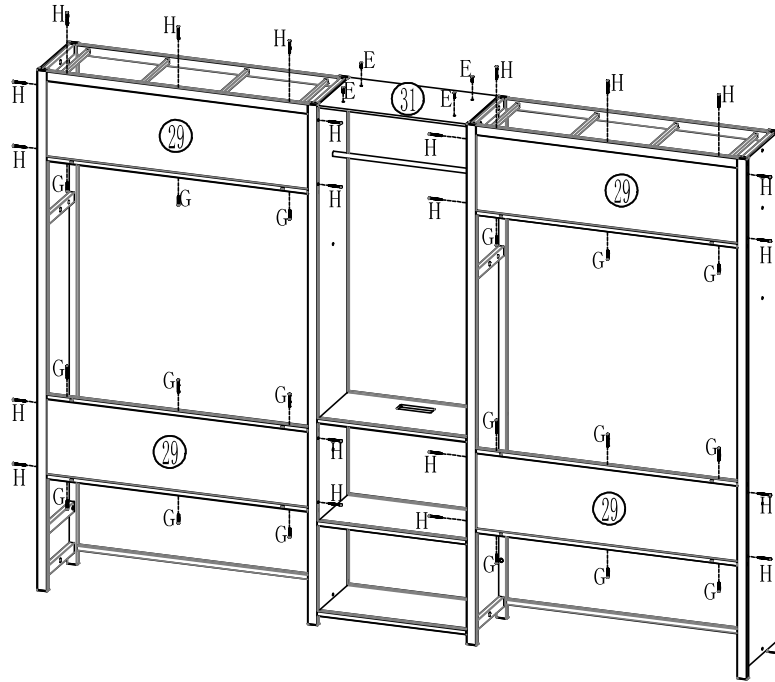
Page 10

Step 5: Use hardware L, D to connect #6,#7 and #10 to the previously installed components.



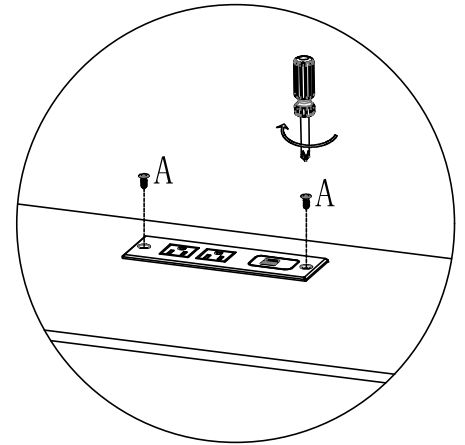
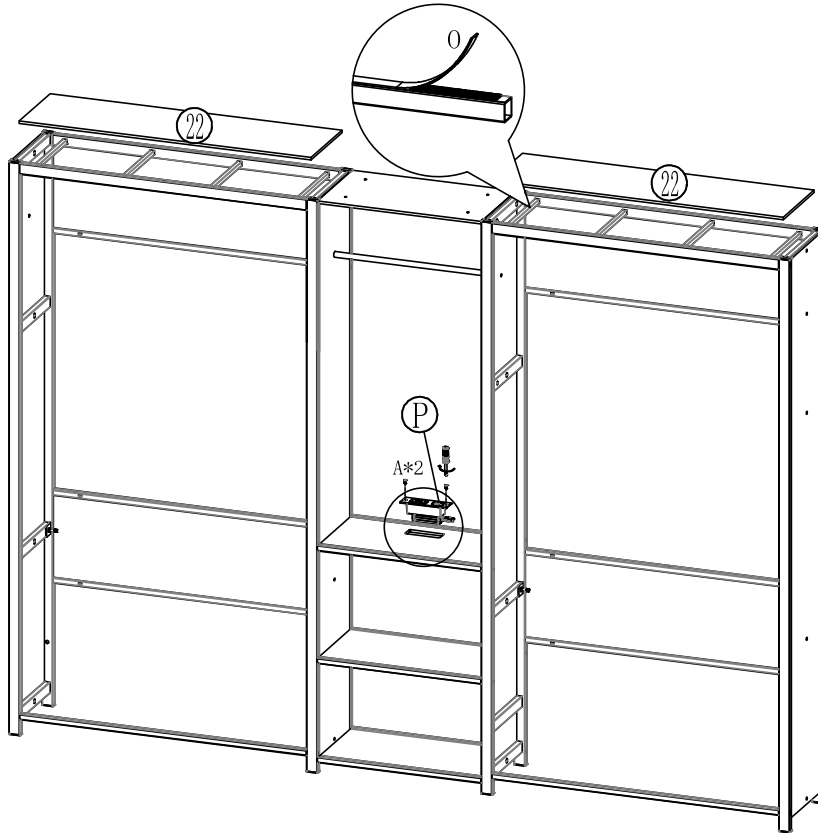
Page 11

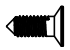
Step 6: Use hardware L,M,E,G,H to connect #29 and #31 to the previously installed components.




Page 12

Step 7: Use hardware M,A,O to connect #22,#23,#30 and socket to the previously installed components.

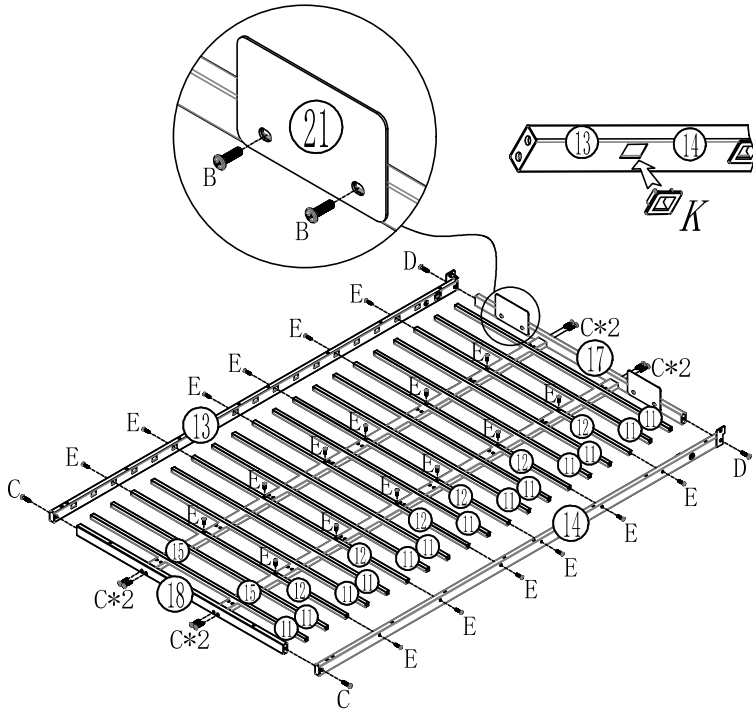



A
4*10-2PCS






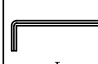

O


M

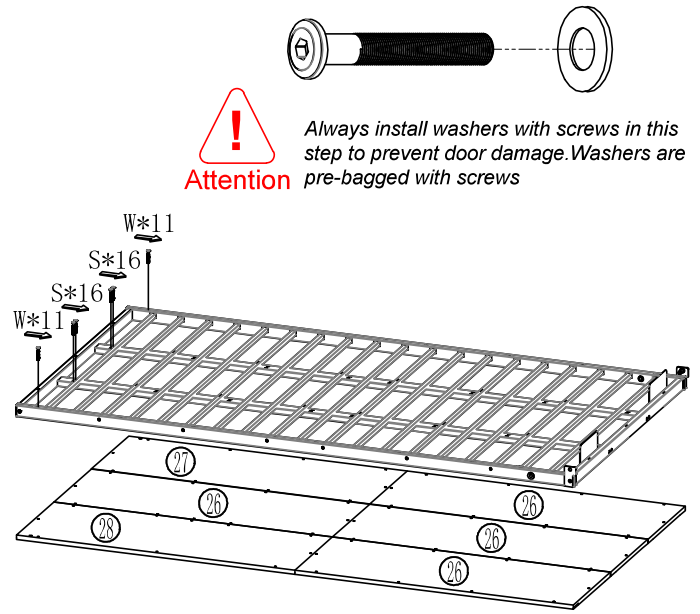
Step 8: Nstall part #K to parts #13 and #14, Then use hardware L,B,C,E to connect #11,#12,#13,#14,#15, #17,#18 and #21 together.



Assemble 2 sets



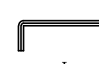
					
B 8*15-8PCS	C 8*35-20PCS	D 8*55-4PCS	E 6*25-48PCS	K--76PCS	L

Step 9: Use hardware L,W to connect #26,#27 and #28 to the previously installed components.

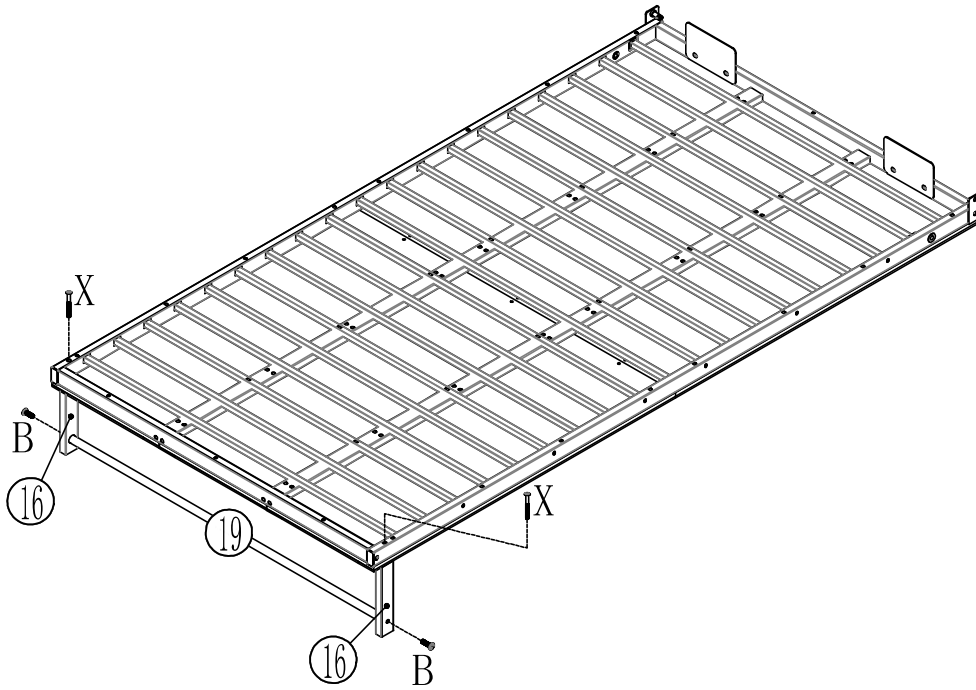


Always install washers with screws in this step to prevent door damage. Washers are pre-bagged with screws

Assemble 2 sets

		
W+Q 6*50-44PCS	S+Q 6*30-64PCS	L

Step 10: Use hardware L,B,X to connect #16 and #19 to the previously installed components.



Assemble 2 sets



B
8*15-4PCS

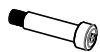
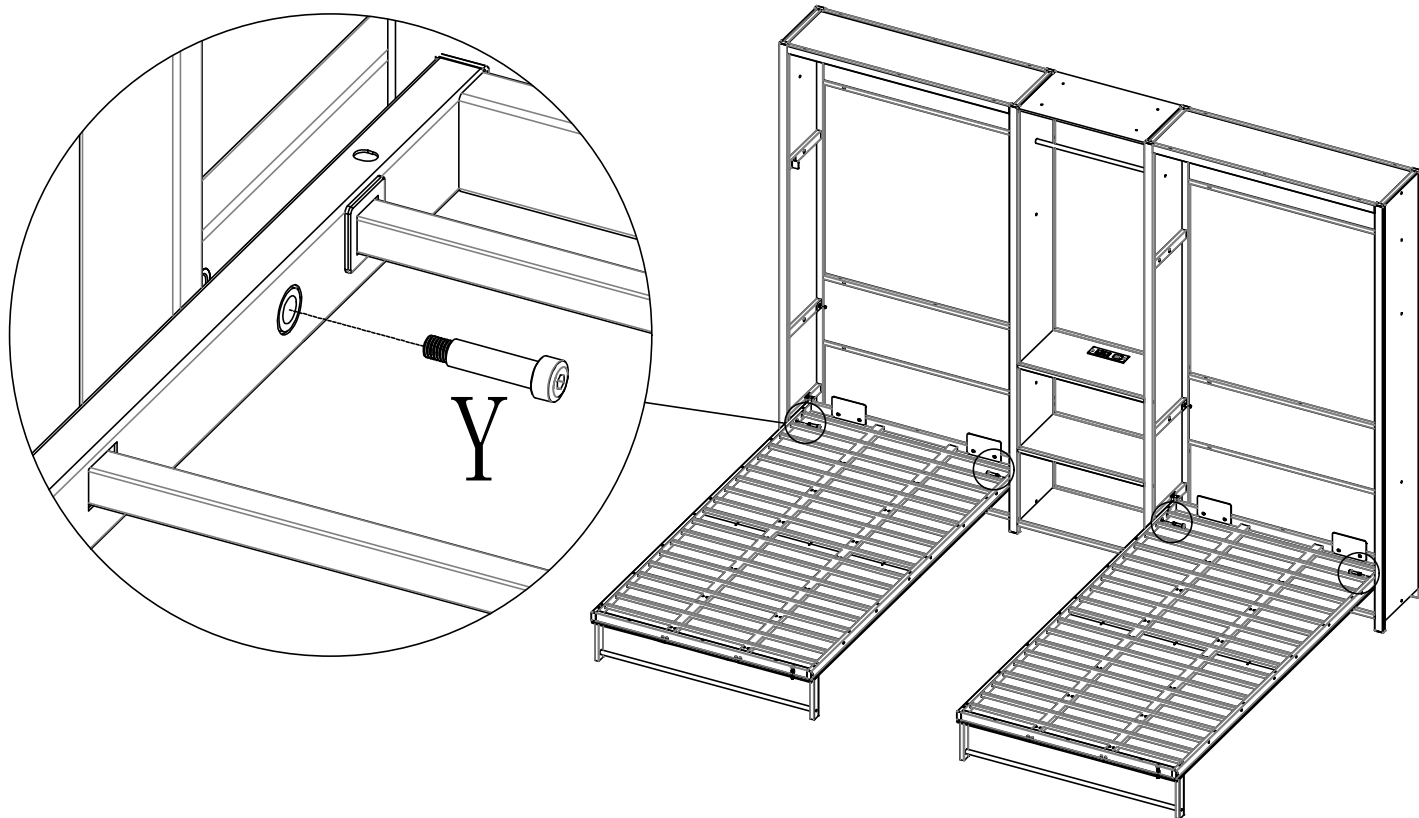


X
8*70-4PCS



L

Step 11: Use hardware L, Y to connect Bed frame to the previously installed components.



Y
10*M8*35-4PCS

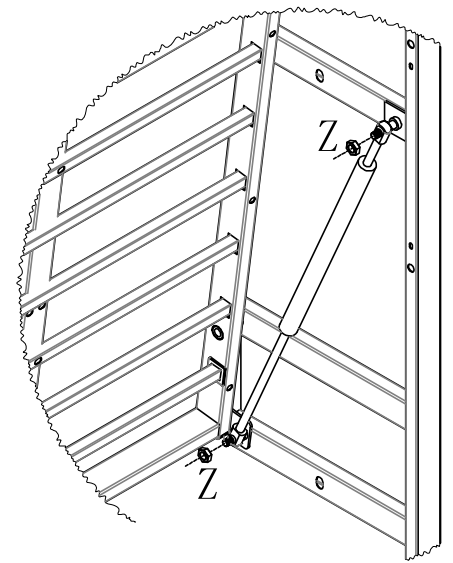
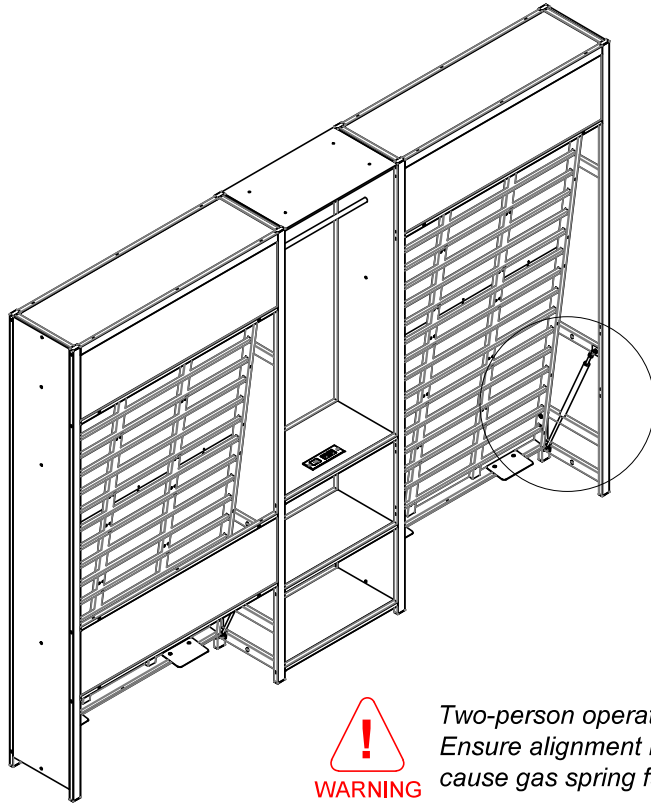
Page 21



L

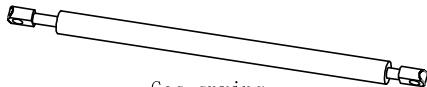
Page 22

Step 12: Rotate the bed assembly toward the wall until the gas spring mounting holes (Ø10mm) fully engage with the M8 fixing rods protruding from the bed base, then secure with flange nuts. Repeat this procedure to install all 4 gas springs.



WARNING

Two-person operation required when pivoting bed structure. Ensure alignment before tightening. Incorrect orientation may cause gas spring failure – long-stroke end **MUST** face downward.



Gas spring
4PCS

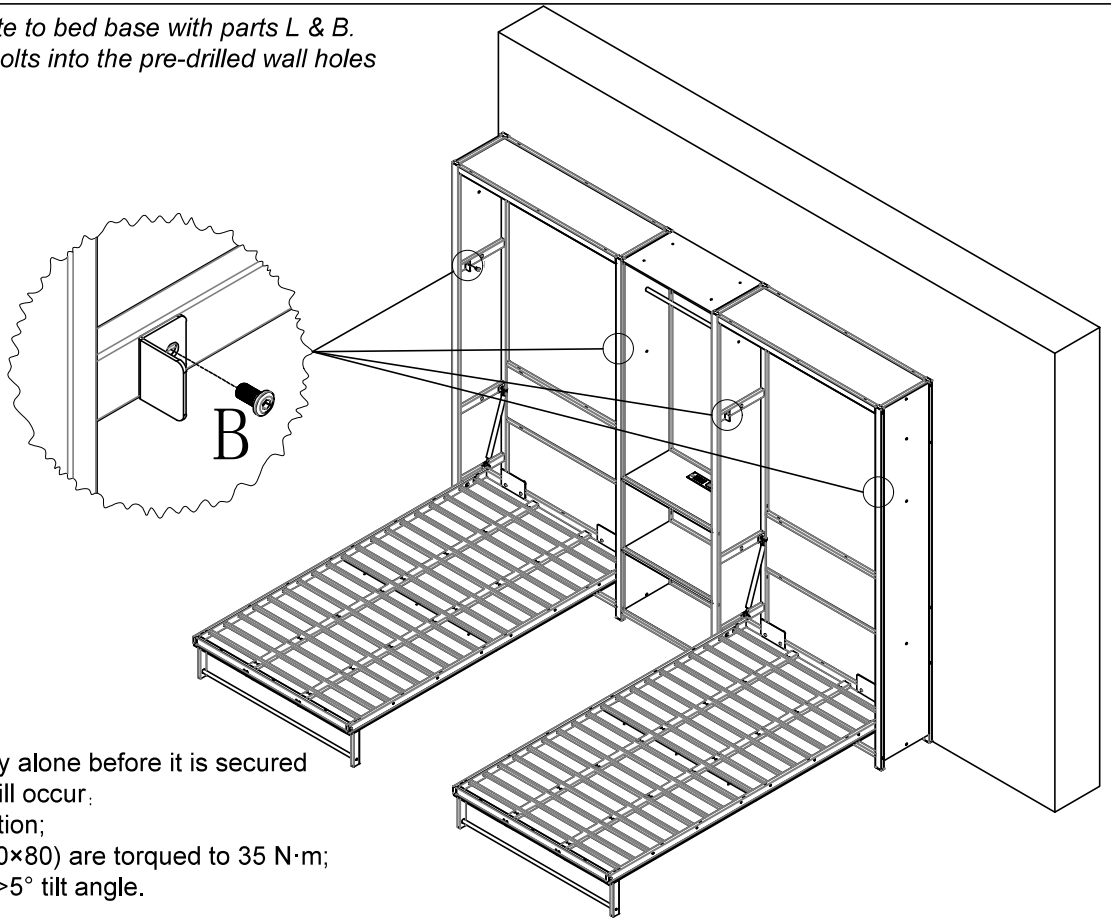


Z
M8-8PCS



N

Step 13: Attach the guard plate to bed base with parts L & B.
 Then, secure the expansion bolts into the pre-drilled wall holes
 through the holes of #5



WARNING:

Do not pivot the bed assembly alone before it is secured to the wall – tipping hazard will occur.

1. Minimum two-person operation;
2. Verify all wall anchors (M10×80) are torqued to 35 N·m;
3. Unsecured bed may tip at >5° tilt angle.



B
 8*15-4PCS

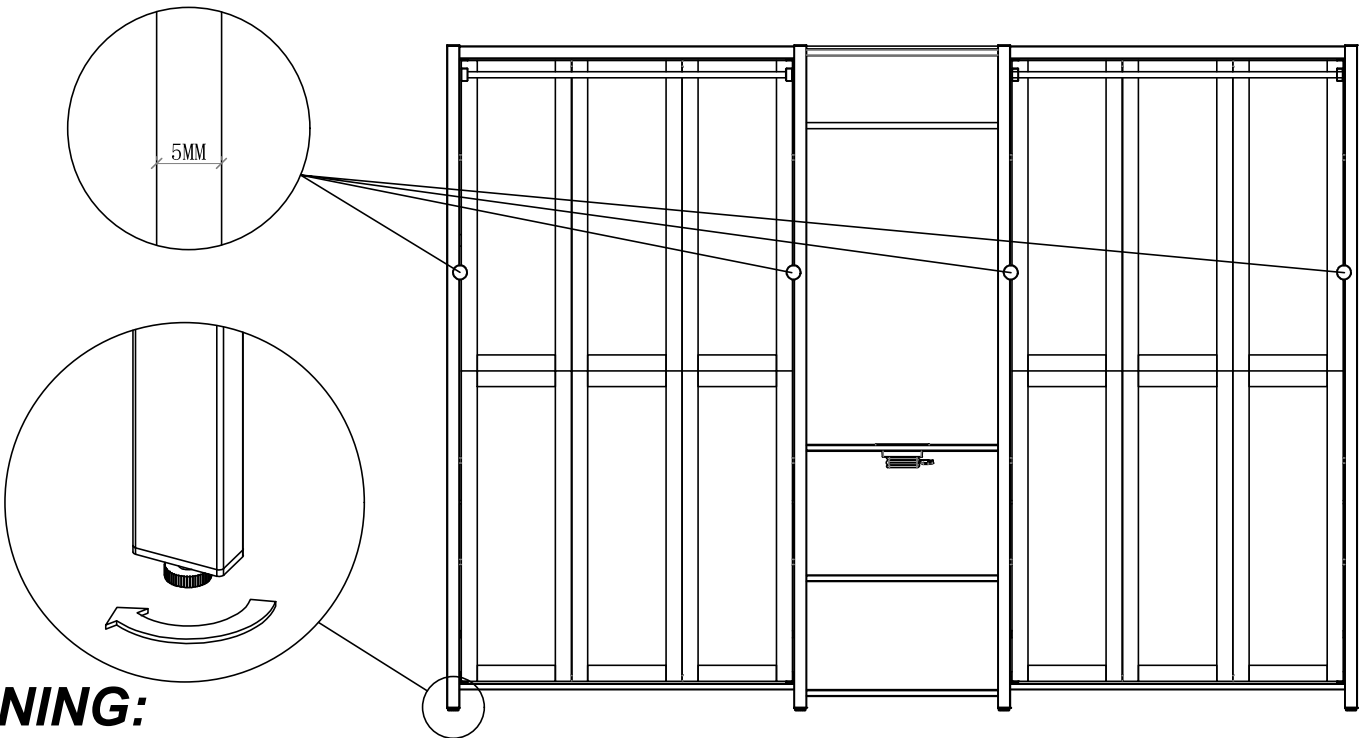


R-4PCS



L

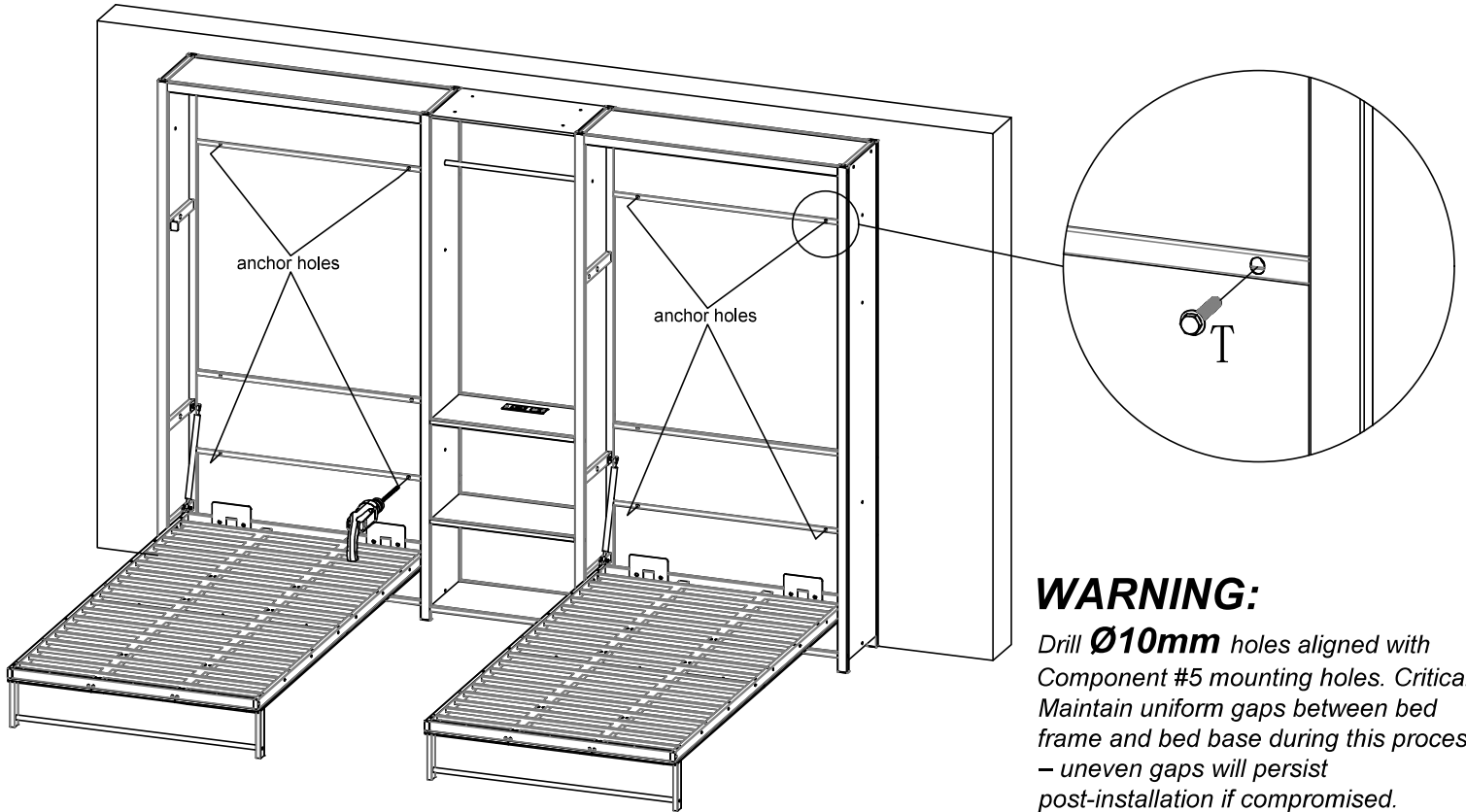
Step 14: Adjust the leveling feet at the base of the bed storage compartment to achieve uniform gaps between the compartment and bed frame.



WARNING:

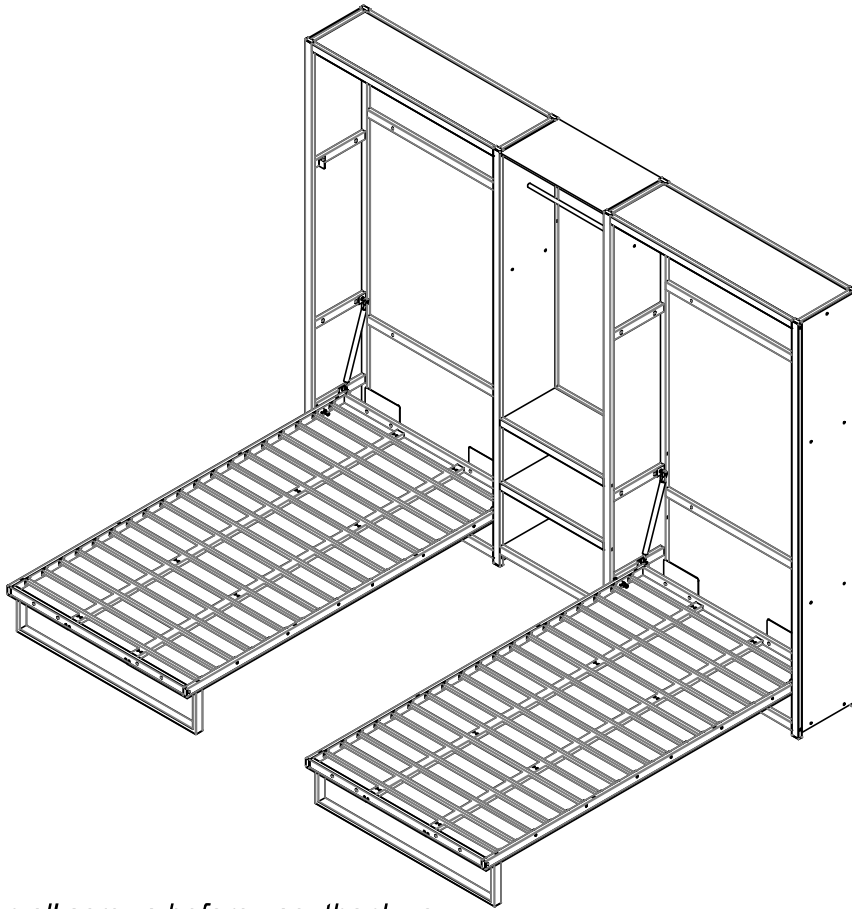
- 1. Slide bed gently to target wall.*
- 2. For top gaps smaller than bottom: Turn leveling feet clockwise to elevate base until gaps equalize.*
- 3. Standard gap: 5mm (both sides).*

Step 15: Drill $\varnothing 10$ holes per #5 template. Keep bed-base gaps even throughout, then secure the bed frame with anchor bolts.



T
M8*80-8PCS

Completed



Please tighten all screws before use, thank you.