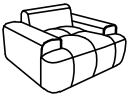



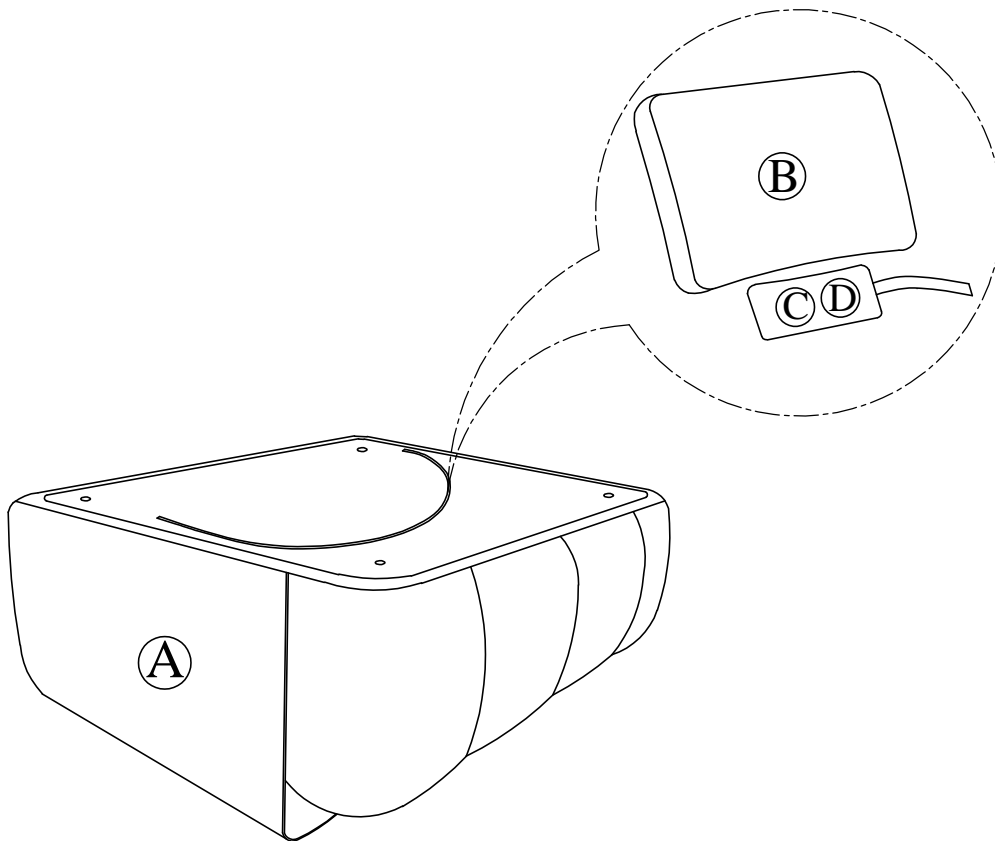


# ASSEMBLY INSTRUCTION

## CHAIR

NO.	PARTS LIST	QTY	DESCRIPTION
A		1	Chair
B		1	Back Cushion
C		4	Plastic Leg
D		4	Washer

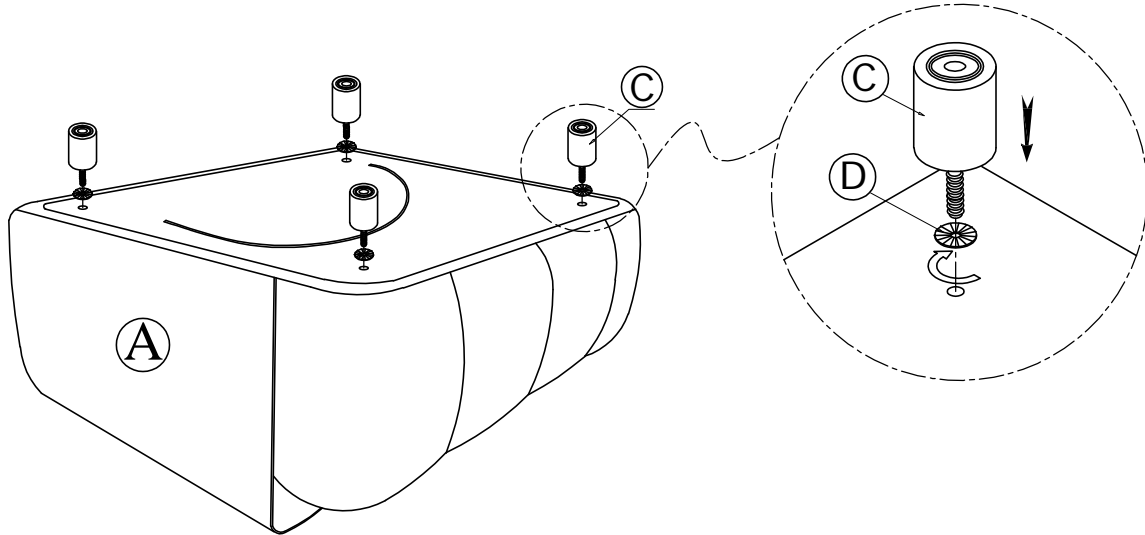
**STEP 1:** Location of KD parts  
Take out legs from the zippered pocket.



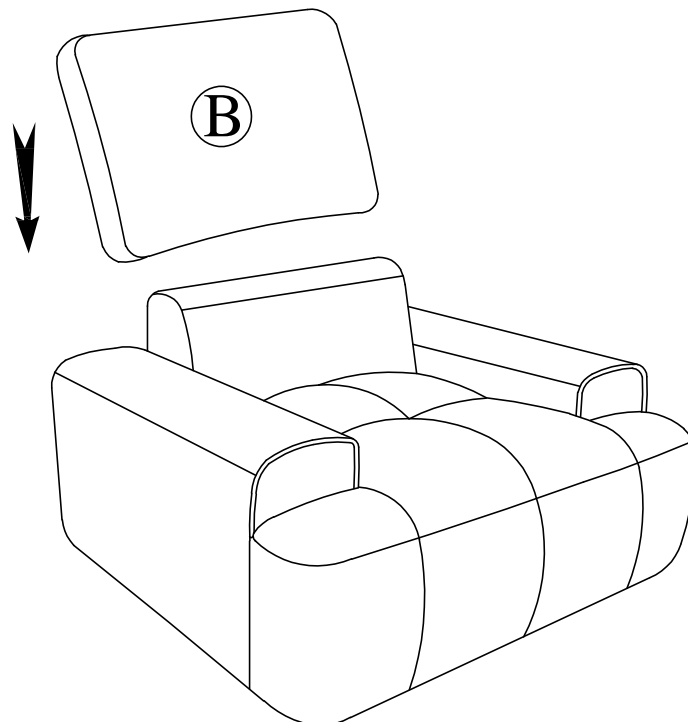
# ASSEMBLY INSTRUCTION

## CHAIR

**STEP 2:** Align Legs (C) bolt to the pre-drilled hole at the corner and turn leg clockwise until it is tightened.



**STEP 3:**



### CARE INSTRUCTION FOR FABRIC FURNITURE

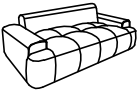



In order to maintain the original appearance of your fabric furniture, please follow below simple care procedures.

°Avoid exposing furniture directly to sunlight or heating and air conditioning outlets. Exposure to sunlight or heating and air conditioning outlets will fade/damage fabric.

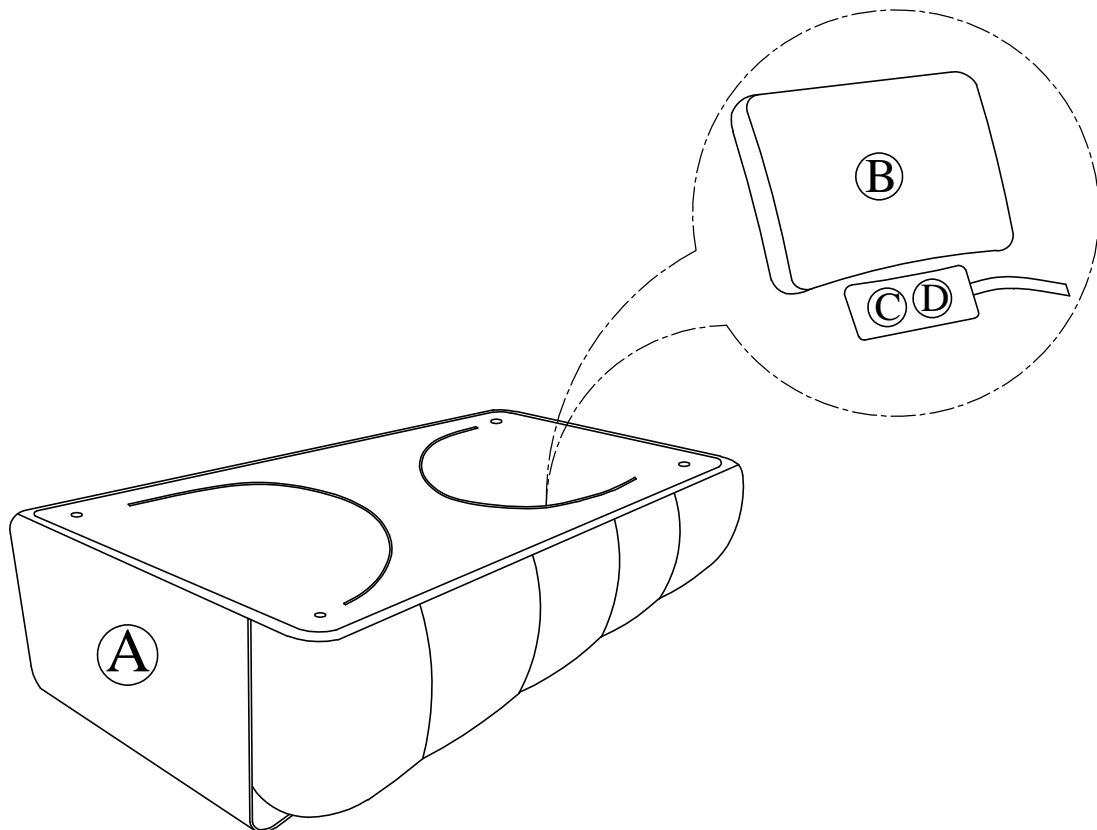
°Wipe gently with a damp soft cloth to remove dust, dirt and any grime build up.

# ASSEMBLY INSTRUCTION

## LOVE SEAT

NO.	PARTS LIST	QTY	DESCRIPTION
A		1	Love Seat
B		2	Back Cushion
C		4	Plastic Leg
D		4	Washer

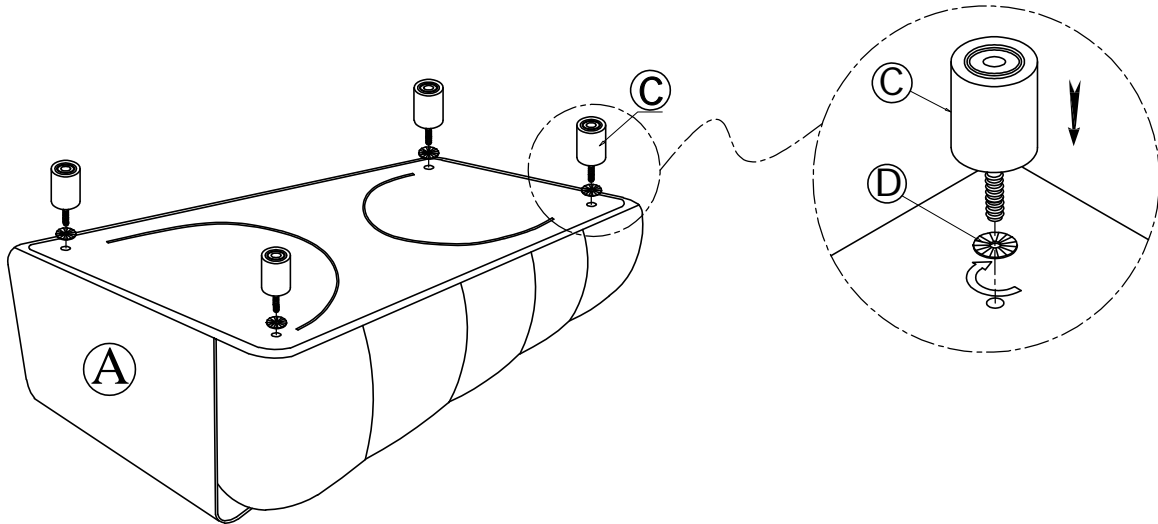
**STEP 1:**                      Location of KD parts  
   Take out legs from the zippered pocket.



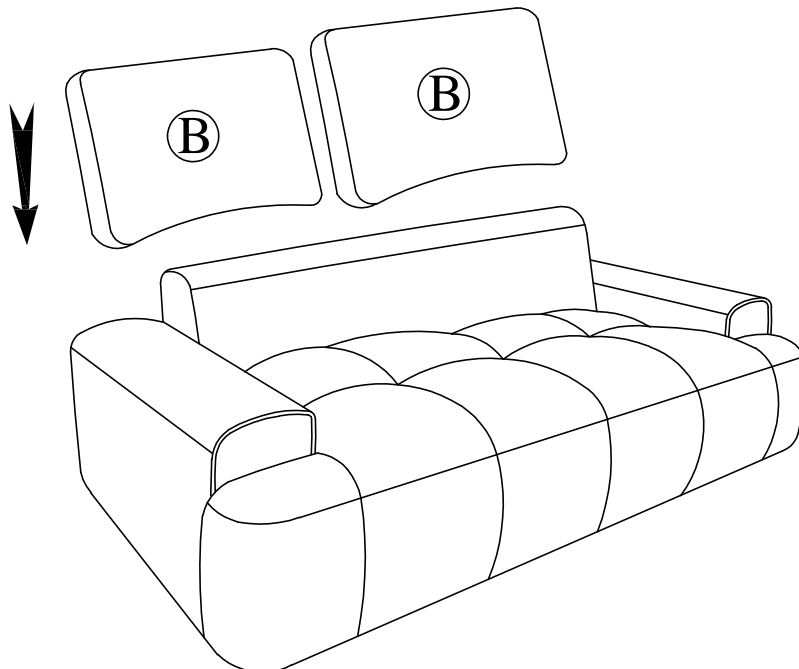
# ASSEMBLY INSTRUCTION

## LOVE SEAT

**STEP 2:** Align Legs (C) bolt to the pre-drilled hole at the corner and turn leg clockwise until it is tightened.



**STEP 3:**



### CARE INSTRUCTION FOR FABRIC FURNITURE

In order to maintain the original appearance of your fabric furniture, please follow below simple care procedures.

°Avoid exposing furniture directly to sunlight or heating and air conditioning outlets. Exposure to sunlight or heating and air conditioning outlets will fade/damage fabric.

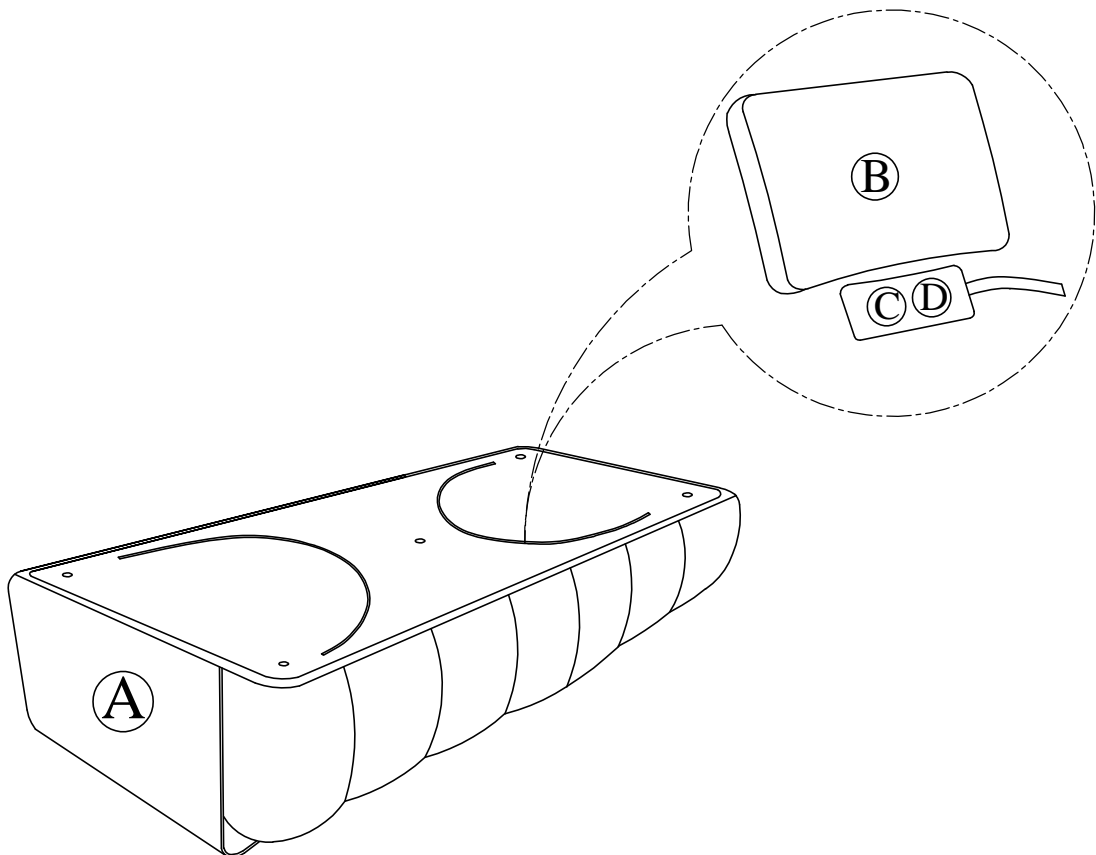
°Wipe gently with a damp soft cloth to remove dust, dirt and any grime build up.

# ASSEMBLY INSTRUCTION

## SOFA

NO.	PARTS LIST	QTY	DESCRIPTION
A		1	Sofa
B		2	Back Cushion
C		5	Plastic Leg
D		5	Washer

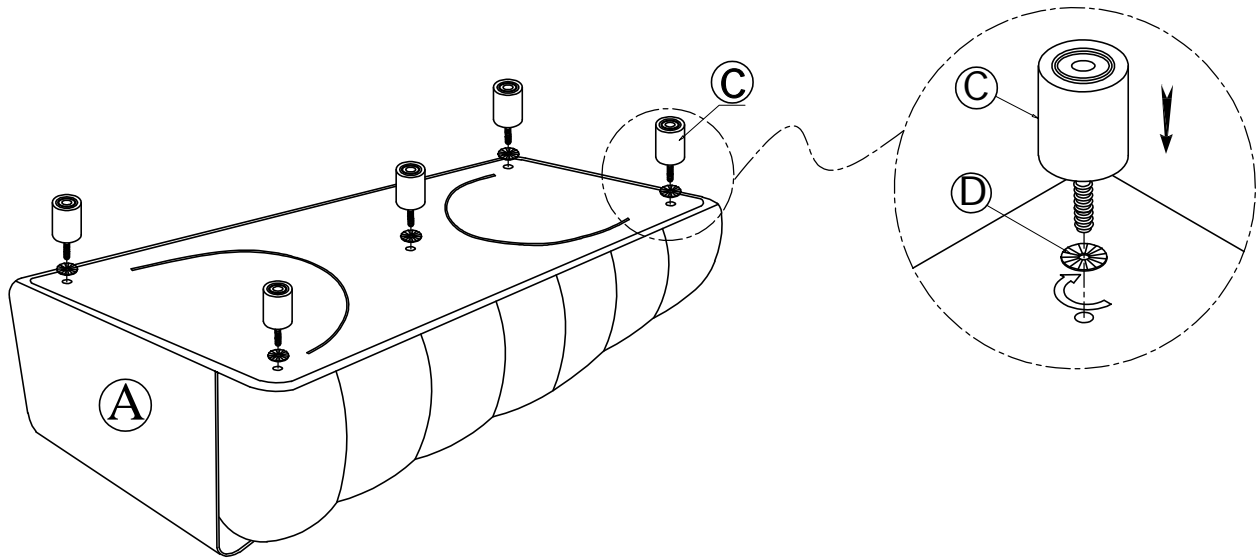
**STEP 1:** Location of KD parts  
Take out legs from the zippered pocket.



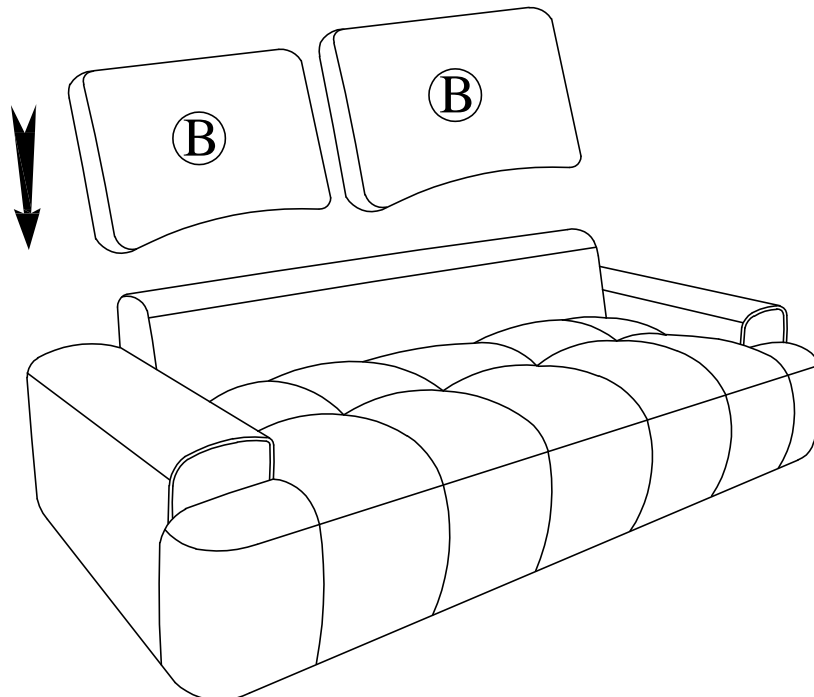
# ASSEMBLY INSTRUCTION

## SOFA

**STEP 2:** Align Legs (C) bolt to the pre-drilled hole at the corner and turn leg clockwise until it is tightened.



**STEP 3:**



### CARE INSTRUCTION FOR FABRIC FURNITURE

In order to maintain the original appearance of your fabric furniture, please follow below simple care procedures.

°Avoid exposing furniture directly to sunlight or heating and air conditioning outlets. Exposure to sunlight or heating and air conditioning outlets will fade/damage fabric.

°Wipe gently with a damp soft cloth to remove dust, dirt and any grime build up.