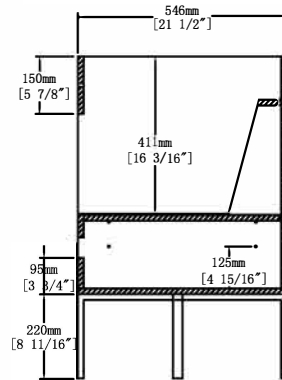
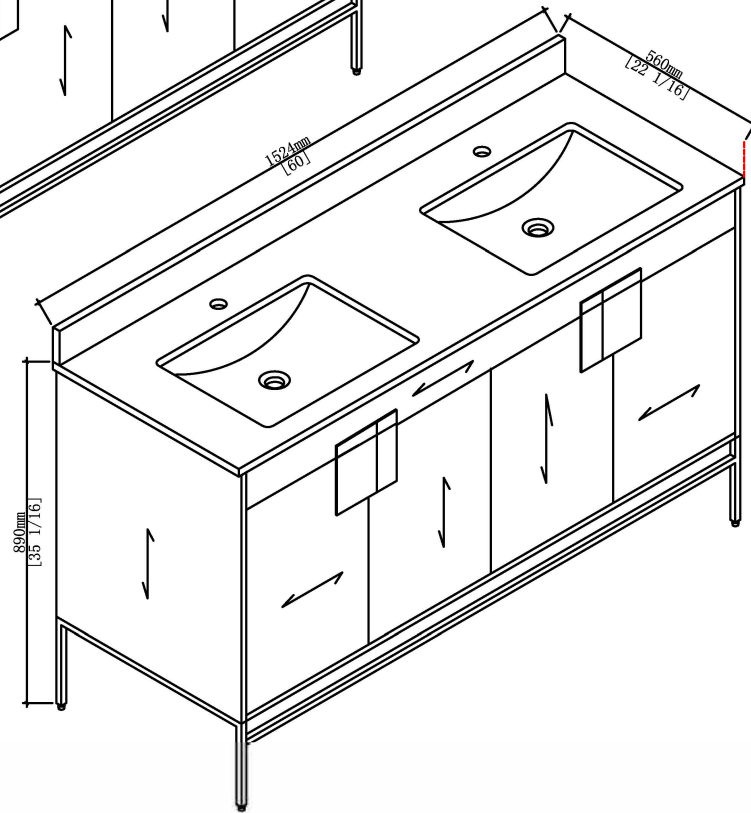
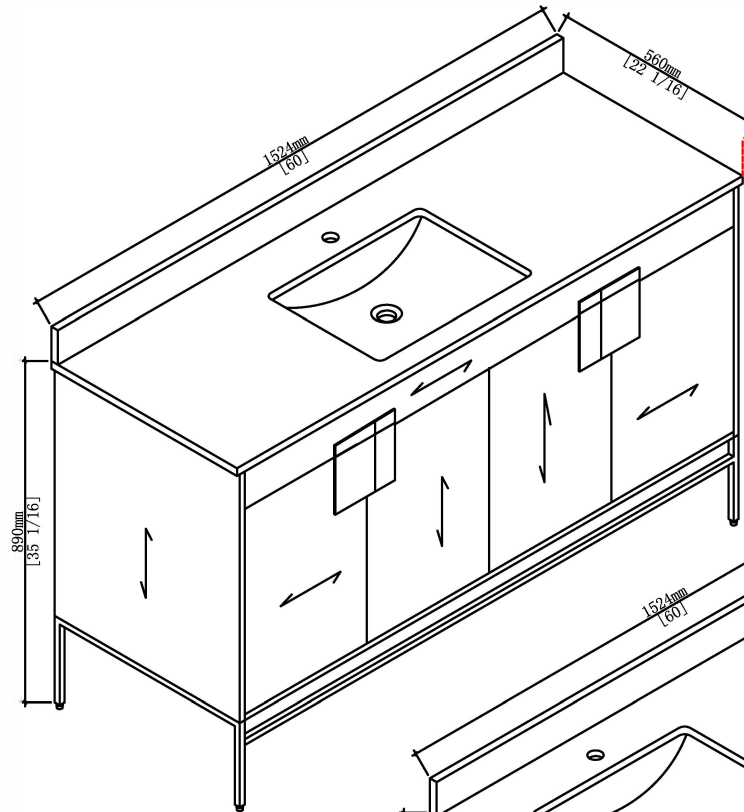
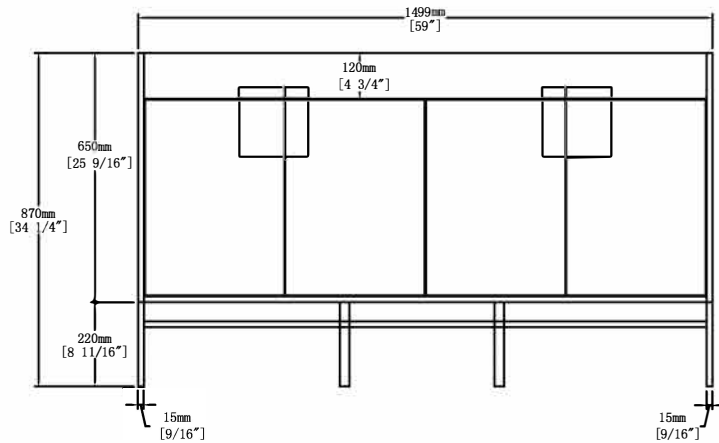
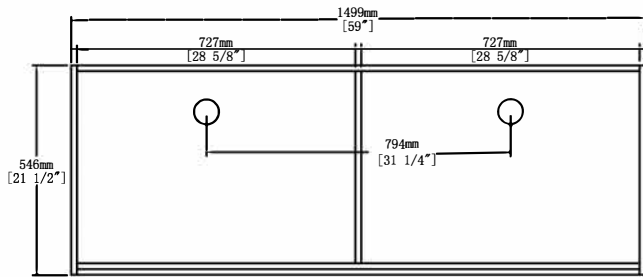


Dimensions



Item NO.

Projece

Size

Basin-20.5"

Date

2020-10-12