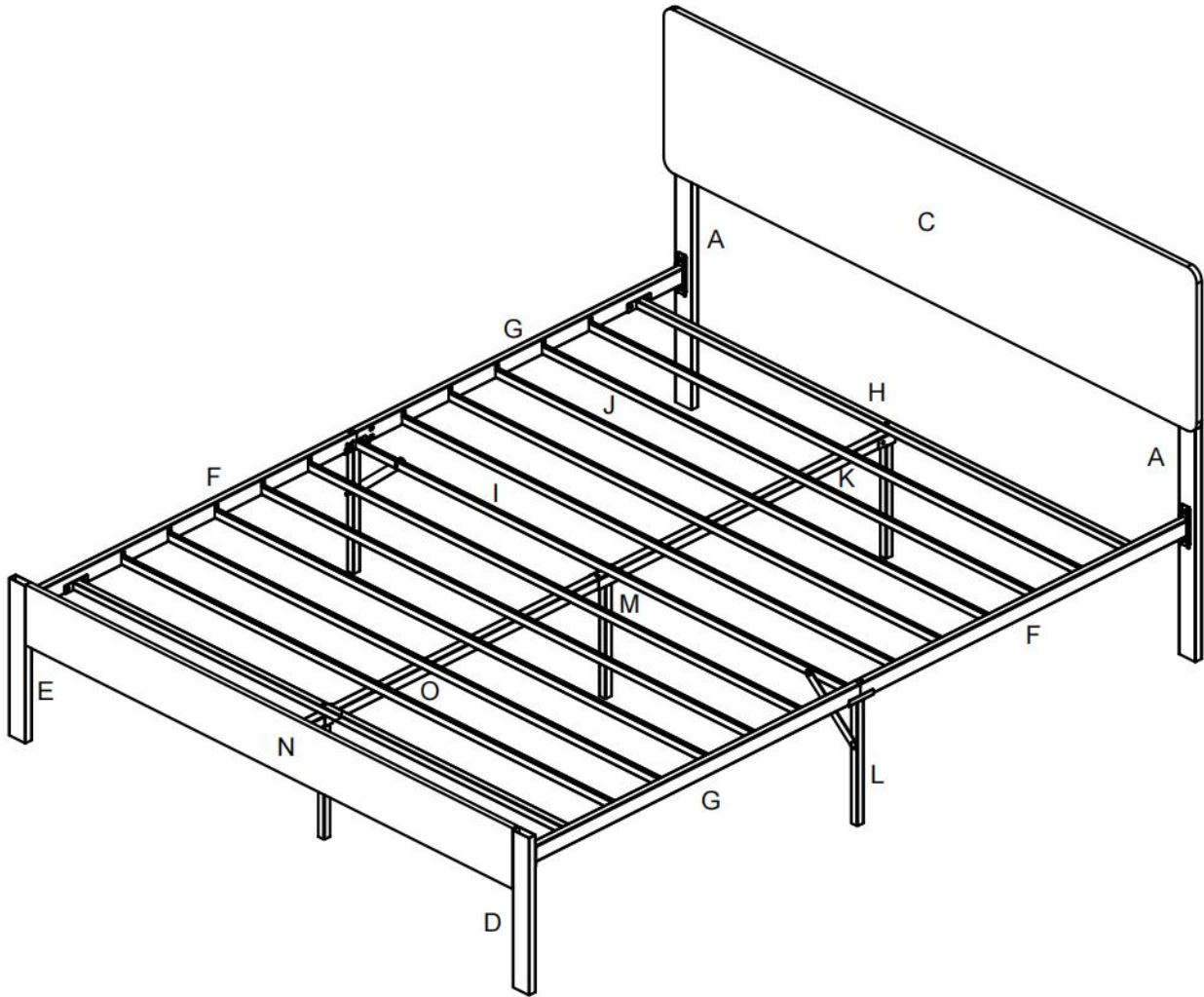


METALBED

ORIGINAL INSTRUCTION MANUAL



DEAR CUSTOMER,

Thank you for choosing our product. Please read this manual carefully before assembling or using the product, to avoid damage caused by improper use. If the product is passed on to third parties, this manual has to be passed on along with the product. For any question don't hesitate to contact us.


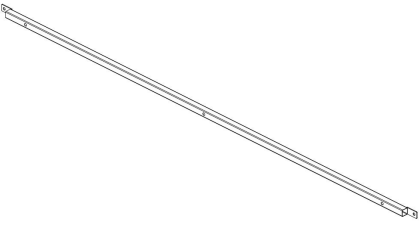
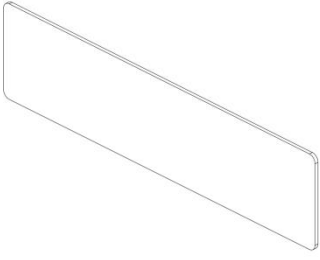


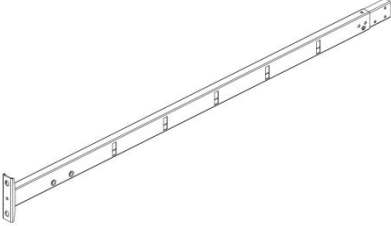
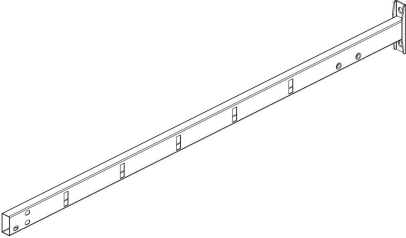
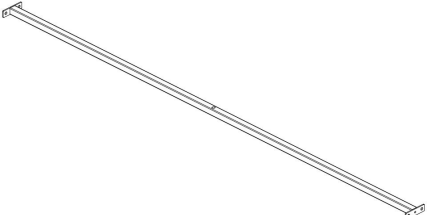
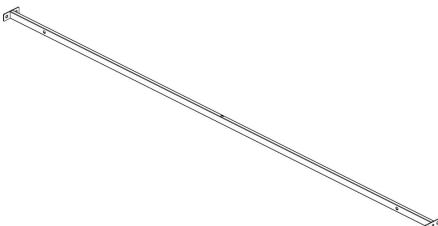
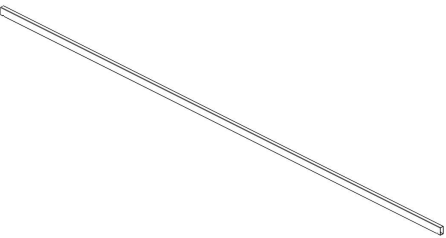
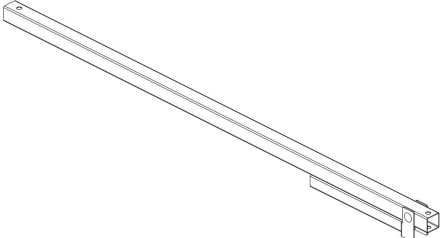

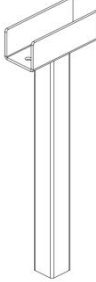
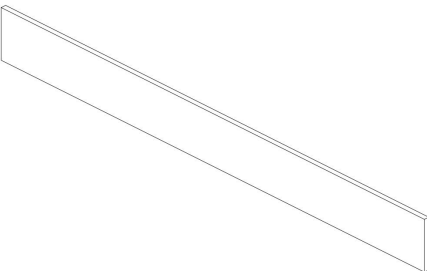
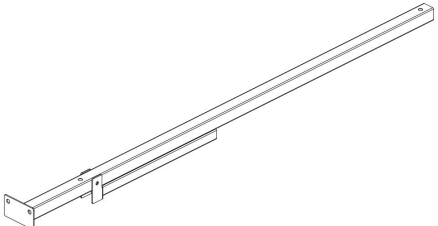
Customer Service: wf-service@golden-south.com

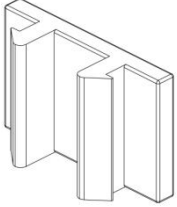
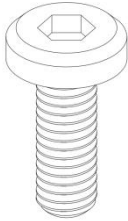
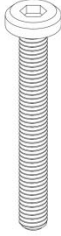
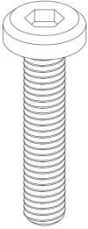
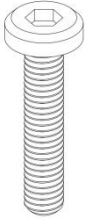
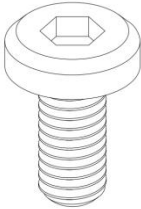
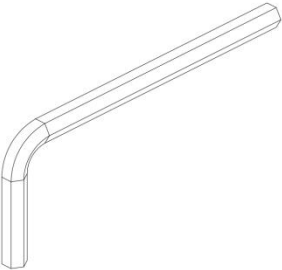
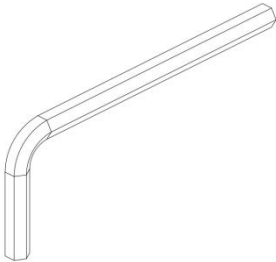
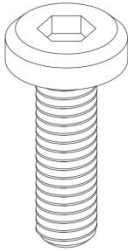
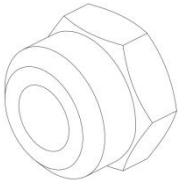

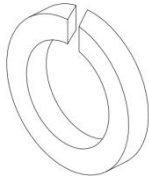
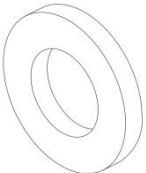
Please provide us with following information, so that it will be easier to resolve your problem smoothly.

1、Order ID:

2、Pictures of Your Items Damage or Parts Missing:

PARTS LIST

A  2X	B  2X	C  1X
D  1X	E  1X	F  2X
G  2X	H  2X	I  1X
J  10X	K  1X	L  2X
M  1X	N  1X	O  1X

<p>P</p> <p>20X</p> 	<p>N1</p> <p>8X</p>  <p>M8X15mm</p>	<p>N2</p> <p>3X</p>  <p>M6X55mm</p>
<p>N3</p> <p>2X</p>  <p>M6X32mm</p>	<p>N4</p> <p>6X</p>  <p>M6X28mm</p>	<p>N5</p> <p>30X</p>  <p>M6X12mm</p>
<p>N6</p> <p>1X</p>  <p>4MM</p>	<p>N7</p> <p>1X</p>  <p>5MM</p>	<p>N8</p> <p>2X</p>  <p>M6X19mm</p>
<p>N9</p> <p>2X</p>  <p>M6</p>	<p>N10</p> <p>1X</p>  <p>S10</p>	<p>N11</p> <p>4X</p>  <p>M6</p>
<p>N12</p> <p>9X</p>  <p>M6</p>		

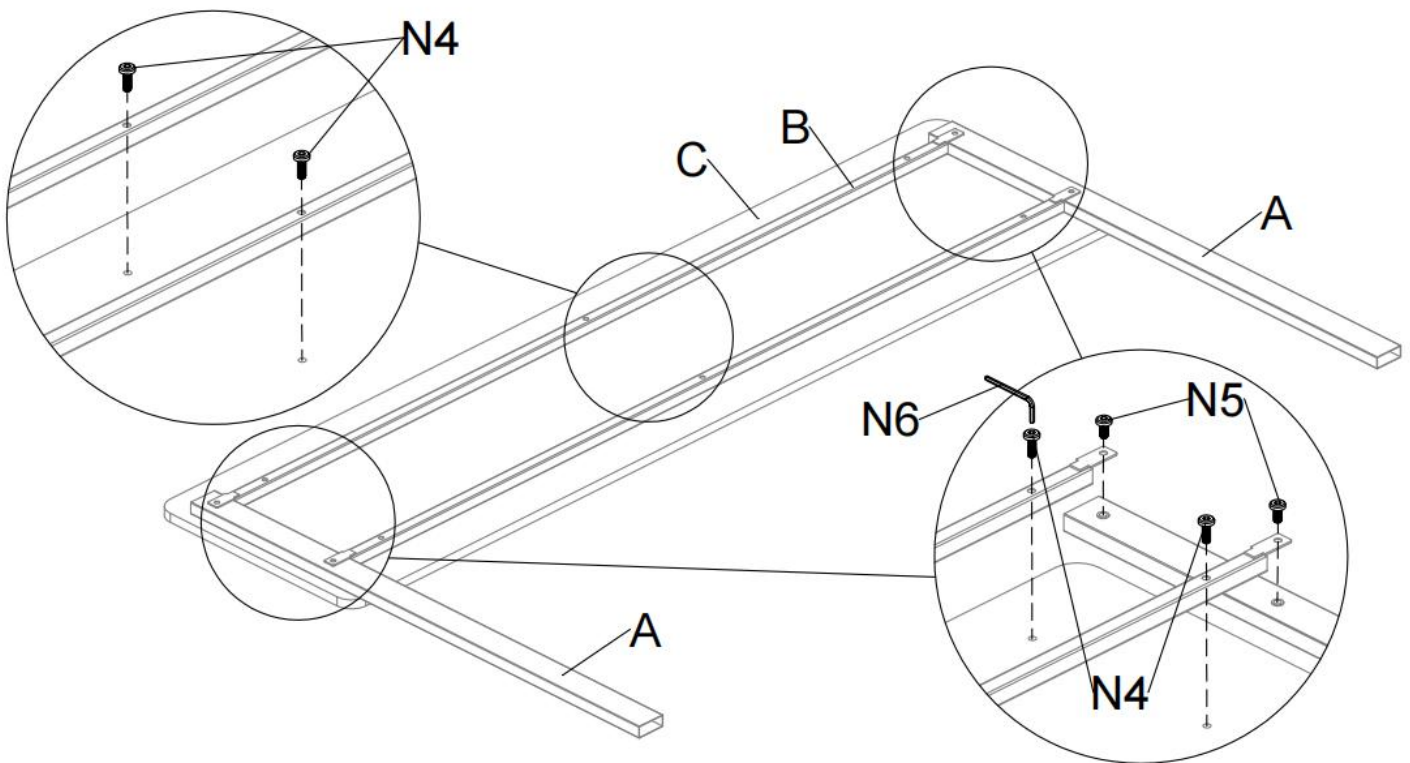
ASSEMBLY

Before your installation, please make sure that you have all the parts listed on the manual. If you find something missing, stop installing and contact your supplier immediately.

NOTE: Please DO NOT tighten any hardware until all the components are assembled. Be sure to tighten all the hardware once the assembly is completed.

1 Bed Head (Step 1 to 3)

NOTE: Pay attention to the length of screws N4 and N5, then screw up the bolt by allen key N6.

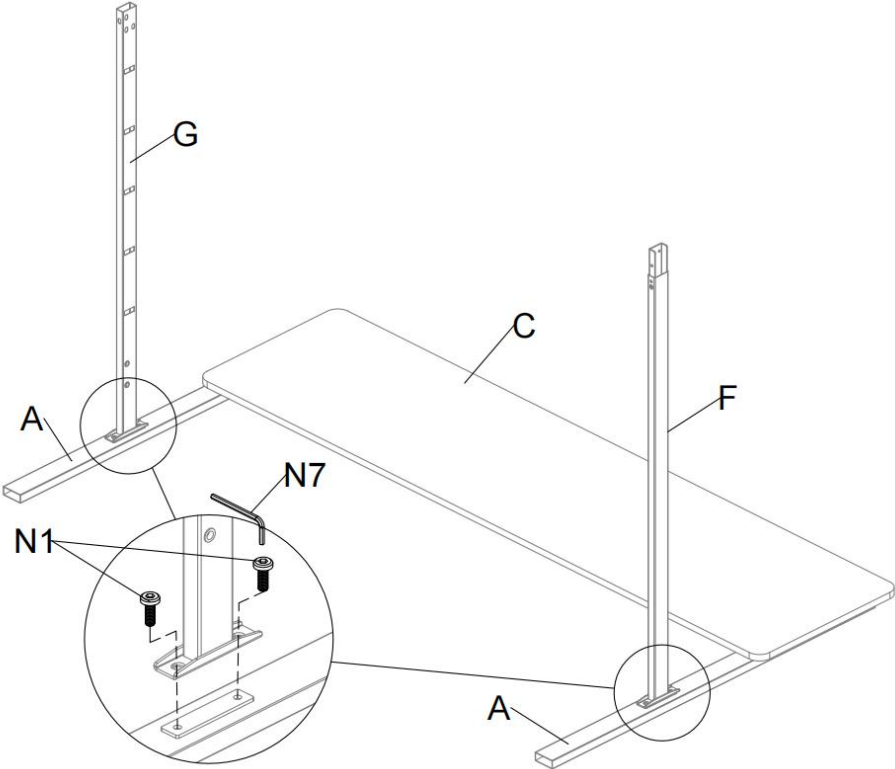


N4X6pcs
M6X28mm

N5X4pcs
M6X12mm

2

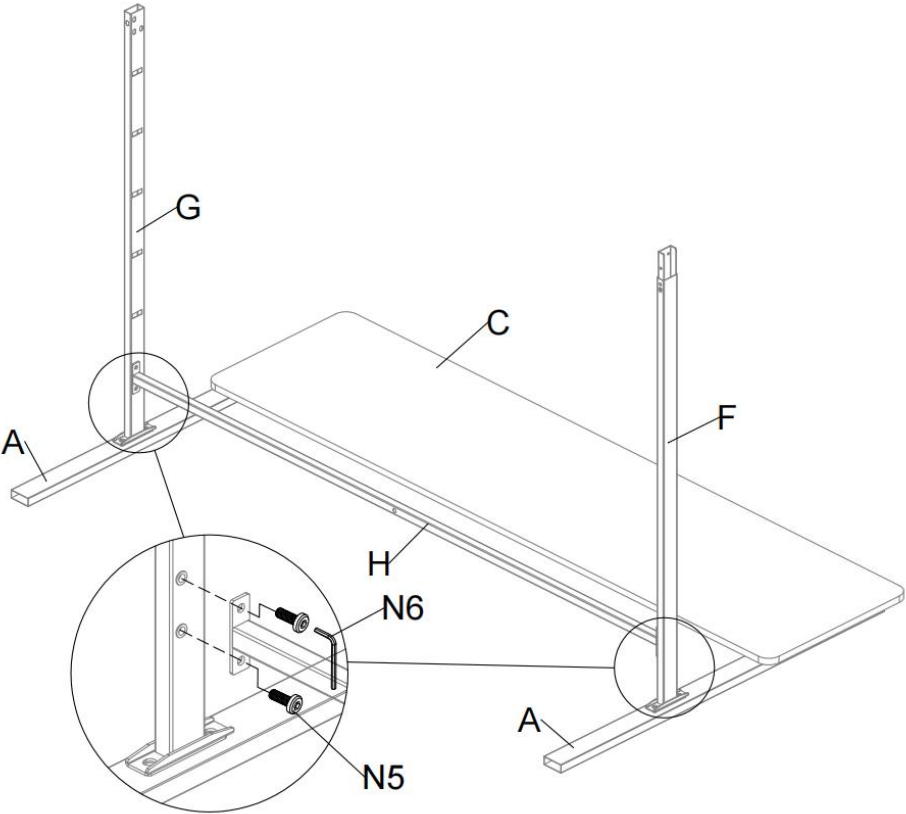
NOTE:Pay attention to the length of screws N1,then screw up the bolt by allen key N7.



N1X4pcs
M8X15mm

3

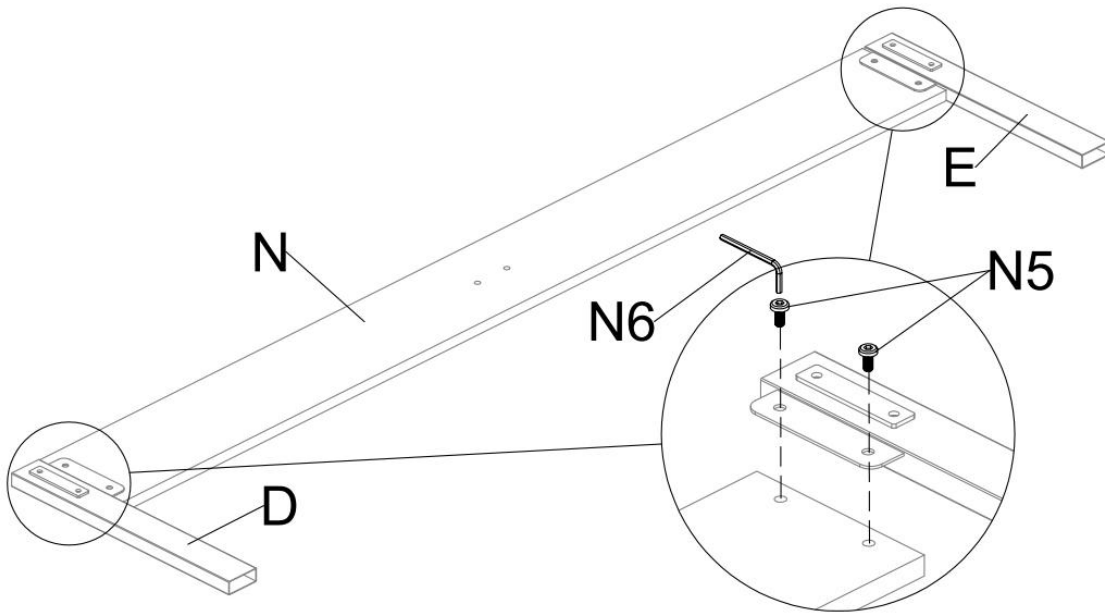
NOTE:Pay attention to the length of screws N5,then screw up the bolt by allen key N6.



N5X4pcs
M6X12mm

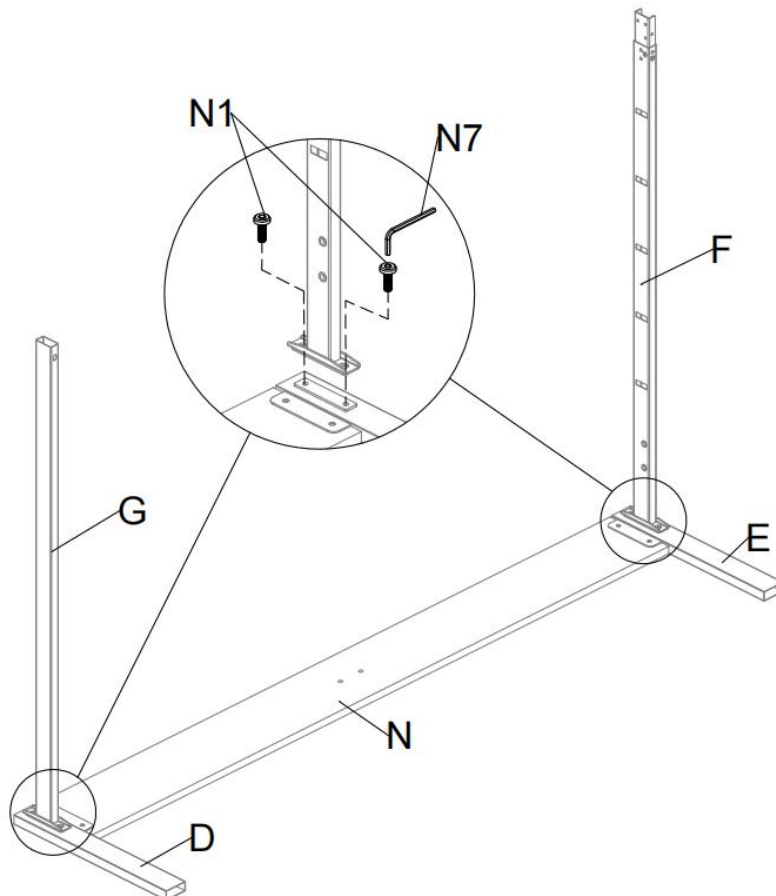
4 Bed End (Step 4 to 6)

NOTE: Pay attention to the length of screws N5, then screw up the bolt by allen key N6.



N5X4pcs
M6X12mm

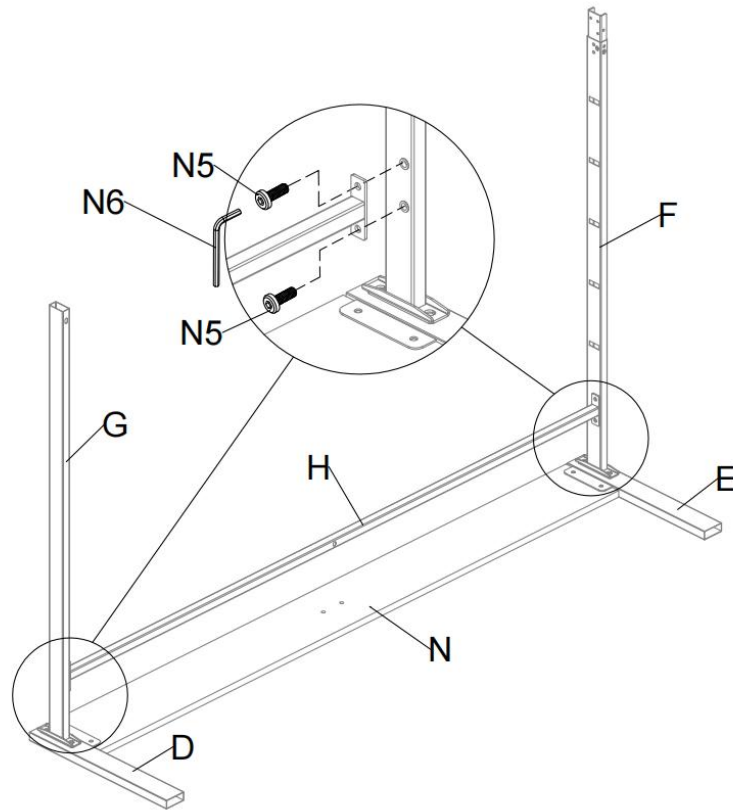
5 NOTE: Pay attention to the length of screws N1, then screw up the bolt by allen key N7.



N1X4pcs
M8X15mm

6

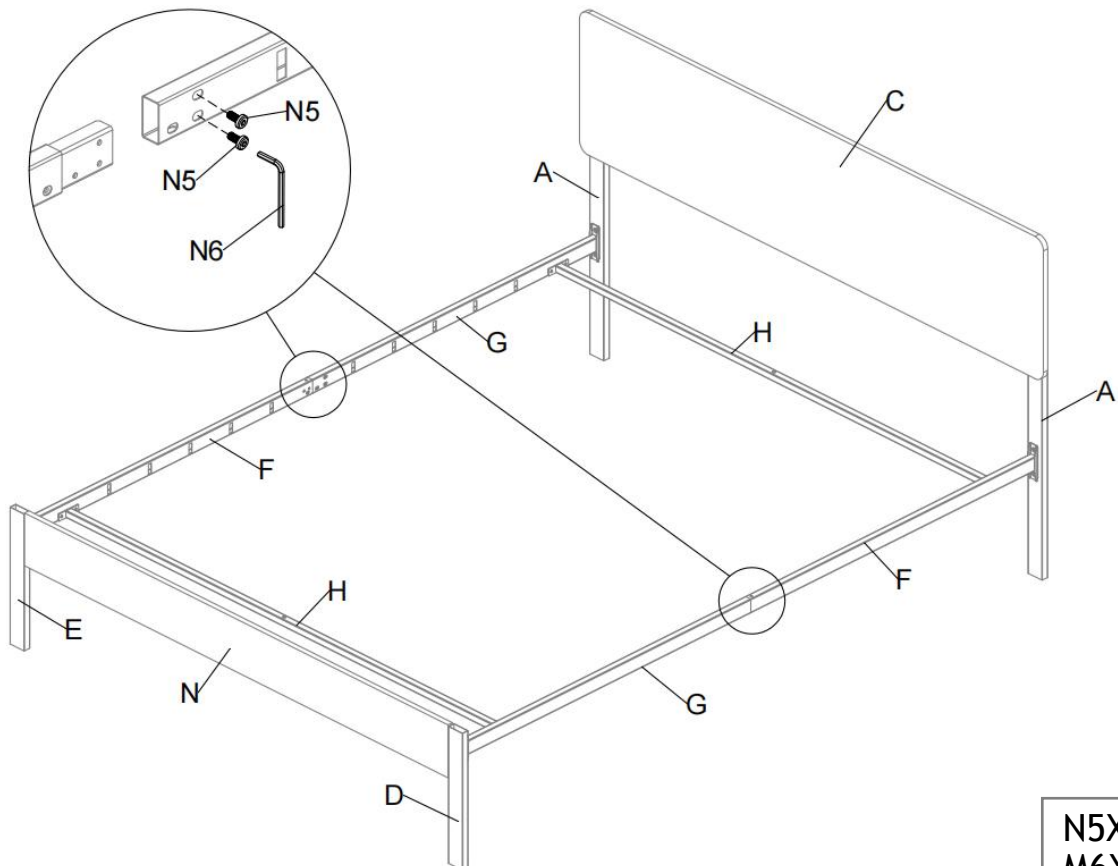
NOTE: Pay attention to the length of screws N5, then screw up the bolt by allen key N6.



N5X4pcs
M6X12mm

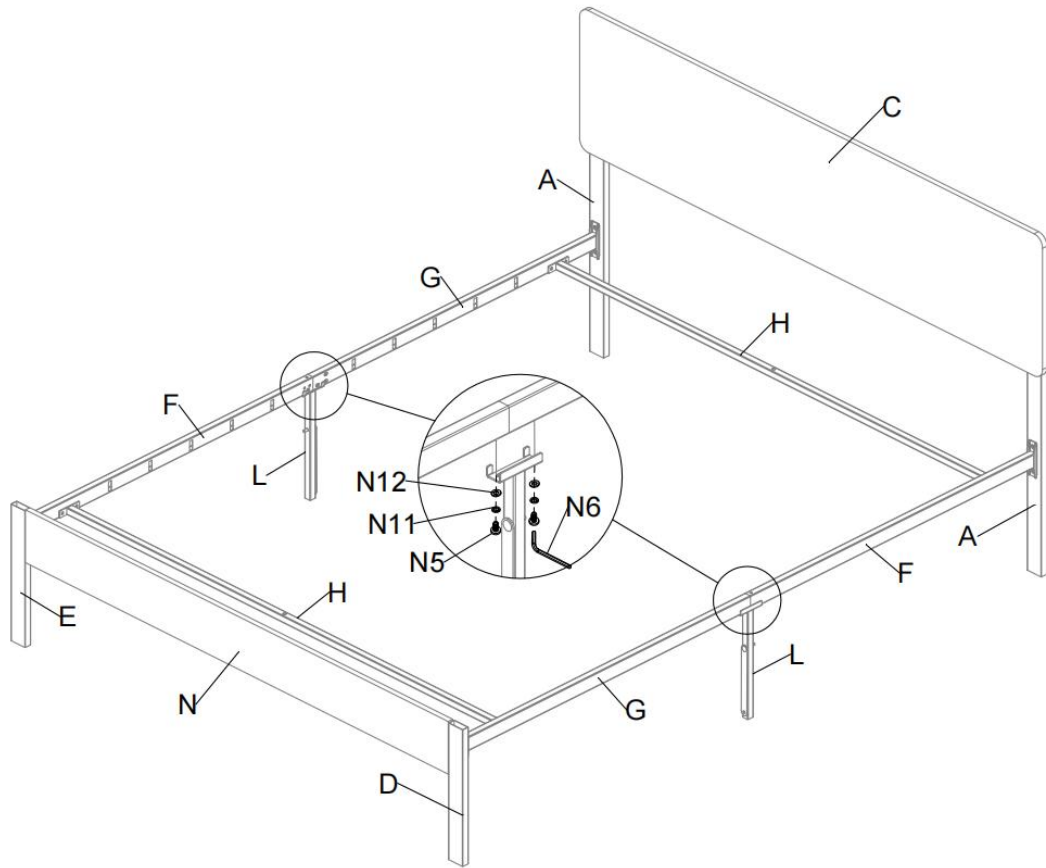
7

NOTE: Pay attention to the length of screws N5, then screw up the bolt by allen key N6.



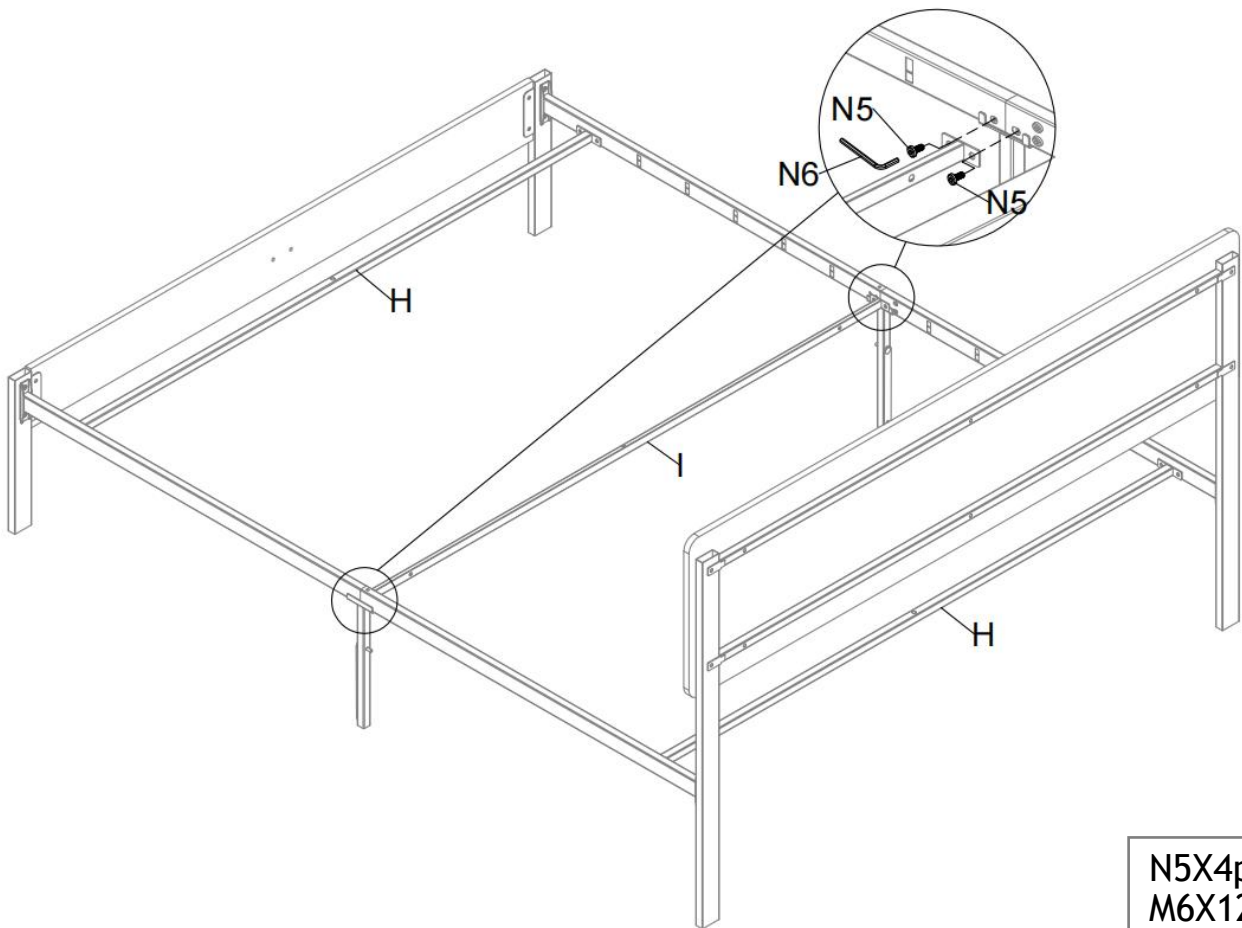
N5X4pcs
M6X12mm

8



- N12X4pcs
M6mm
- N11X4pcs
M6mm
- N5X4pcs
M6X12mm

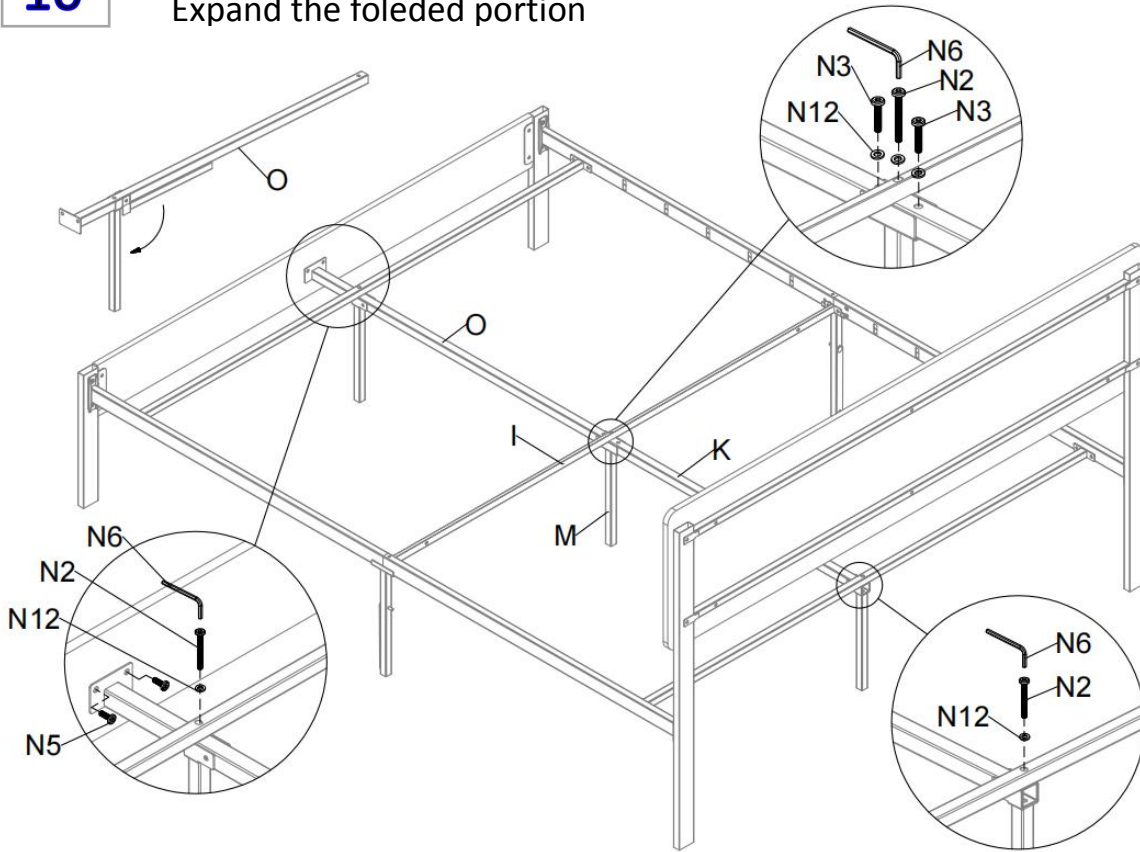
9



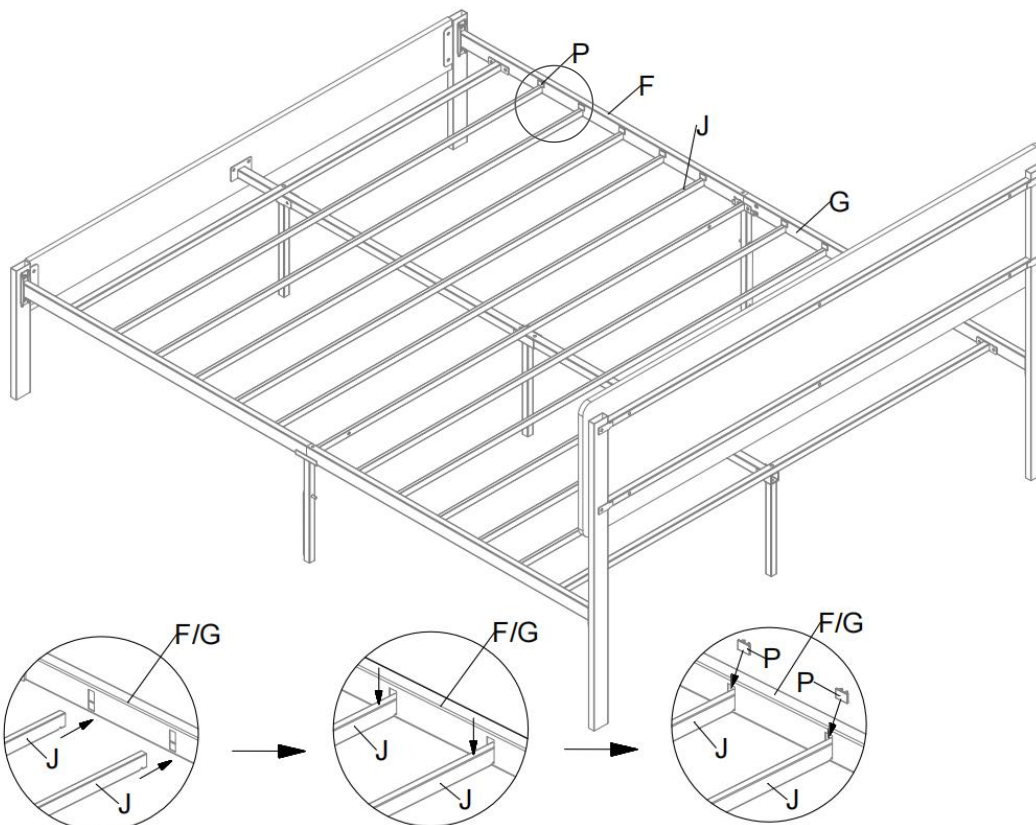
- N5X4pcs
M6X12mm

10

Expand the foiled portion

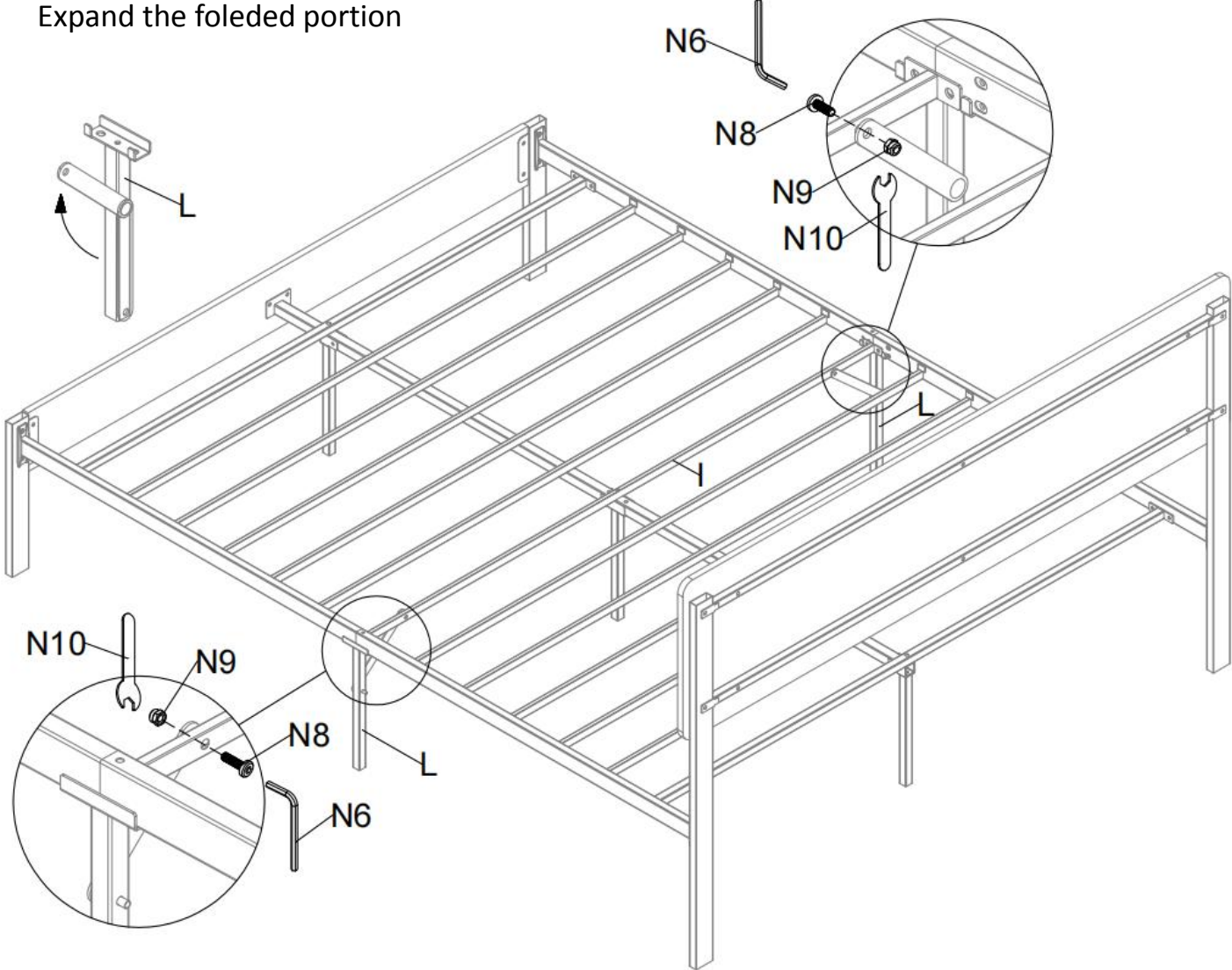
N3X2pcs
M6X32mmN2X3pcs
M6X55mmN12X5pcs
M6mmN5X2pcs
M6X12mm**11**

Insert slats into the hole on sidebar (J) in the correct orientation. Then press tight the clamp (P) to fix its position.



PX20pcs

Expand the foiled portion



- | |
|--------------------|
| N9X2pcs
M6mm |
| N8X2pcs
M6X19mm |