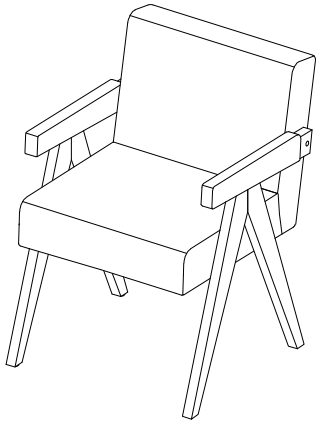


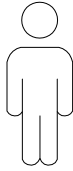
# ASSEMBLY INSTRUCTIONS



**+ Do Not Use Power Tools**

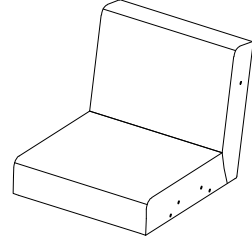


**+ Suggested Adults**



## + Parts Included

① Body (1 pc)



② Left arm (1 pc)



③ Right arm (1 pc)



## NOTE:

- 1 Read instructions cover to cover.
- 2 Save all packaging until assembly is completed.

## 1 IMPORTANT SAFETY INFORMATION

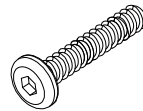
- Do not** assemble the product if the parts arrived damaged.
- Do not** assemble if Hardware parts are missing.

## 2 IMPORTANT ASSEMBLY INFORMATION

Assembly Step If loosening persists, please make sure to tighten all the bolts periodically, or use a thread locker adhesive.

## + Parts Included

A. Bolt  
Ø8x45mm (10 pcs)



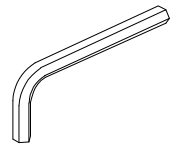
B. Spring Washer  
Ø8xØ12mm (8 pcs)



C. Flat Washer  
Ø8xØ19mm (8 pcs)



D. Allen Key (1 pc)

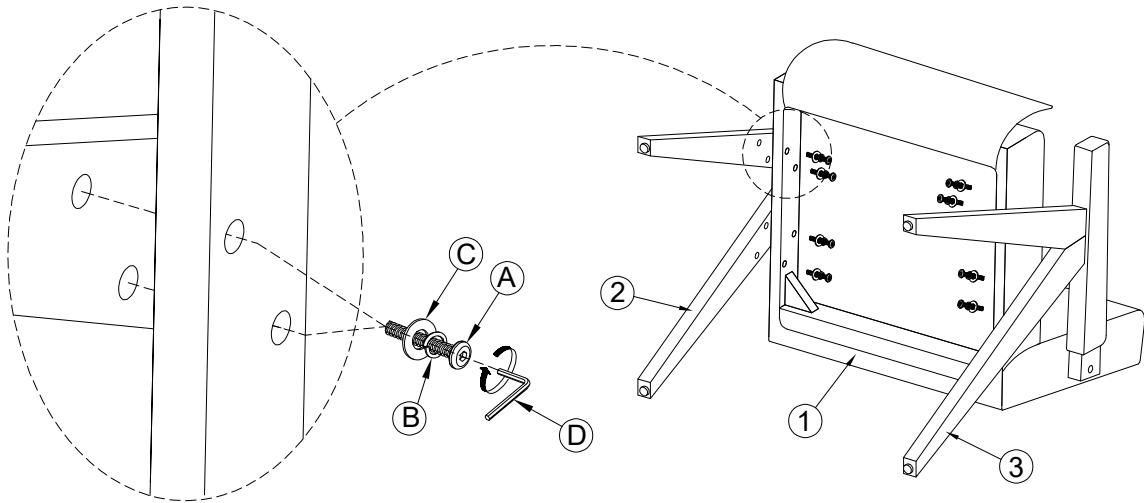


E. Wooden Cap (2 pcs)

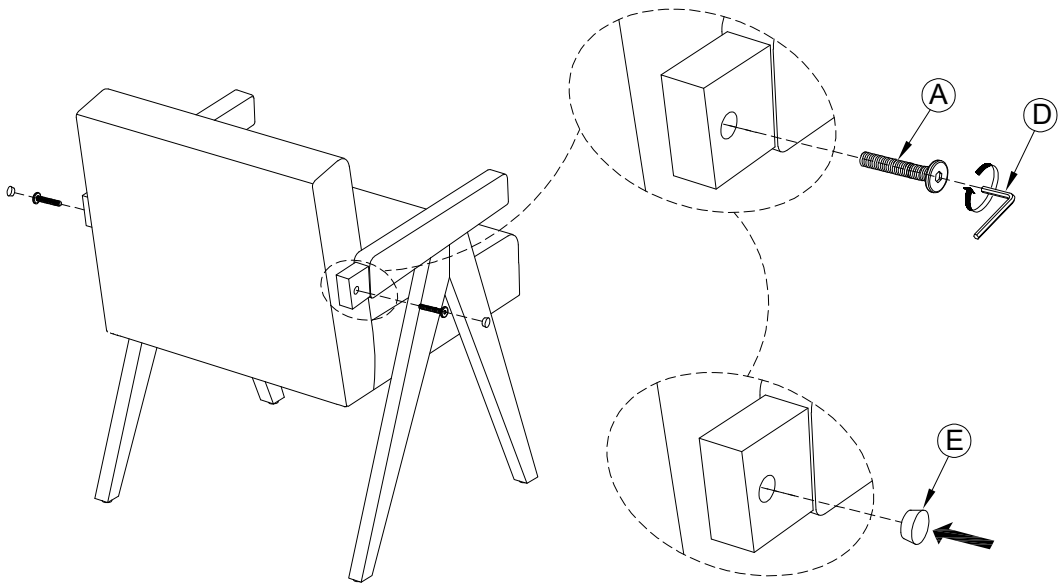


# ASSEMBLY INSTRUCTIONS

①



②



# ASSEMBLY INSTRUCTIONS

3

