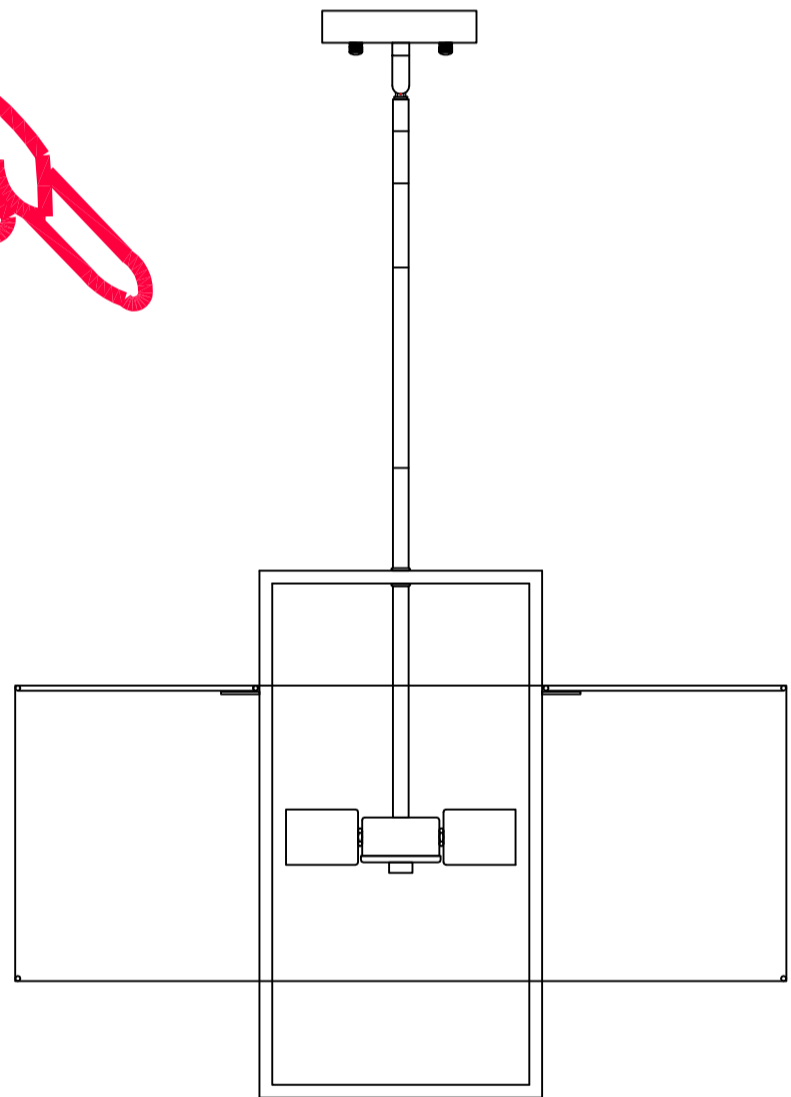
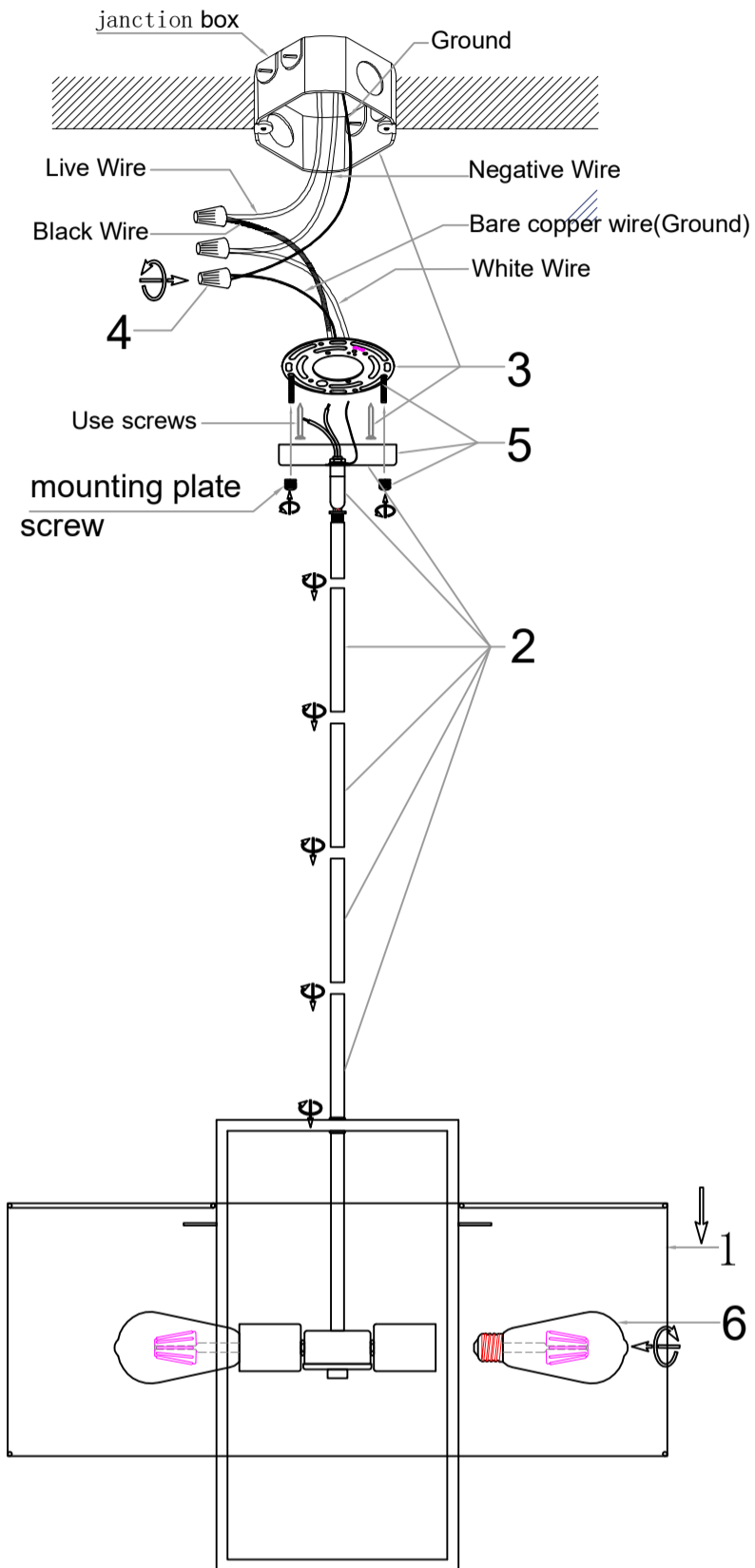


# Lighting installation instructions

## Installation steps

1. First, fit the lampshade over the flat tube lamp holder.
2. Then connect the straight tube to the flat tube lamp holder and tighten it.
3. Secure the mounting bracket to the junction box with screws.
4. Connect the grounding wire of the power circuit (green or bare copper wire) to the grounding wire of the fixing device, with the black end connected to (black) and the white end connected to (white).
5. Mount the straight edge plate to the mounting plate with mounting plate screws.
6. Screw on the light bulb. Light source not included.

The end!



## Precautions for use

1. When installing, cleaning lamps or replacing bulbs, the power supply should be cut off.
2. The rated voltage is 120V, and each lamp holder supports a maximum of 60 watt bulbs.
3. During installation, avoid scratching the surface of lamps and wires, wear gloves, and avoid collision to avoid injury.
4. Do not install it on an uneven ceiling, and keep paper, cloth and other flammable items away from the bulb (to avoid causing fire).
5. Lamps should not be close to corrosive chemicals and gases such as acids and alkalis, and should not be cleaned directly with water. Only try this with a clean, soft cloth.
6. Do not touch the bulb during use or after turning off the light (to avoid burns).
7. Please do not use it in places with high humidity and high temperature.
8. Be careful when installing and minimize the number of moves to avoid damaging the lamps.