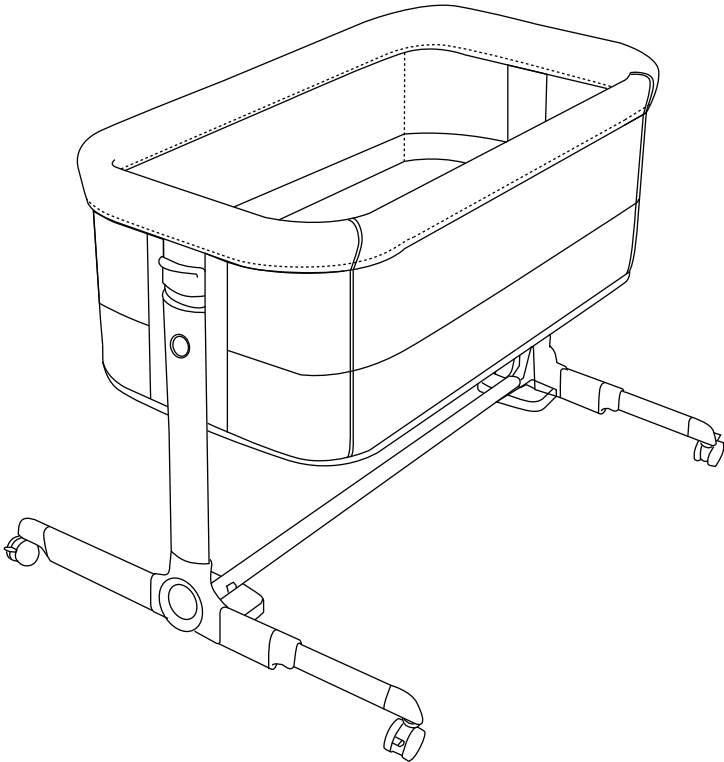


# USER MANUAL

## NEERA BEDSIDE CRIB



92: V1/46  
2025

**Babymore**  
more for your baby

UK – Babymore, Unit C2 Zenith Industrial Estate, Paycocke Road, Basildon, Essex, SS14 3DW  
EU - Babymore, Marithaime 8, 6662WD Elst, Netherlands  
T: +44 (0) 20 3475 5588 E: customerservices@babymore.co.uk W: babymore.co.uk

# CONTENTS

WARNING .....	1
Parts List .....	3
How to Assemble the Crib .....	4
How to Adjust the Height .....	7
How to Drop the Side Rail .....	8
How to Use as a Bedside Crib .....	9
How to Use Additional Features .....	11
How to Remove Fabric Cover .....	12
How to Clean and Store .....	13

## WARNING

---

# ⚠ IMPORTANT! READ CAREFULLY AND KEEP FOR FUTURE REFERENCE.

## WARNING !

- Do not use this product without reading the instructions for use first.
- This product is intended for infants, from birth until 6 months, 9kg, or until they are able to sit unaided or pull or push themselves up on their hands and knees.
- Never leave a gap between the lower side of the bedside crib and the mattress of the adult bed.
- If there is any gap between the bedside crib and the adult bed DO NOT use the product.
- Gaps should not be filled with pillows, blankets or other items.
- DANGER! Always completely raise the drop side when not attached to the adult's bed.
- Before every use, check the bed mounting system tension. To do so, try to pull the bedside crib away from the parents' bed.
- Placing additional items in the product may cause suffocation.
- Do not place the product close to another product, which could present a danger of suffocation or strangulation, e.g. strings, blind / curtain cords, etc.
- Do not use more than one mattress in the product.
- The product should be placed on a horizontal floor.
- Young children should not be allowed to play unsupervised in the vicinity of the crib.
- The crib side should be locked in the fixed position when the child is left unattended.
- All assembly fittings must always be properly tightened. Make sure no screws are loose because a child could trap parts of the body or clothing (e.g. strings, necklaces, ribbons for babies' dummies, etc.,) which would pose a risk of strangulation.

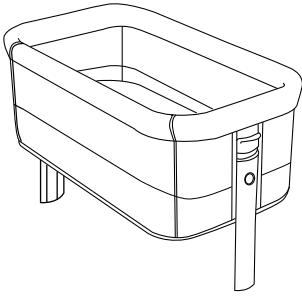
## WARNING

---

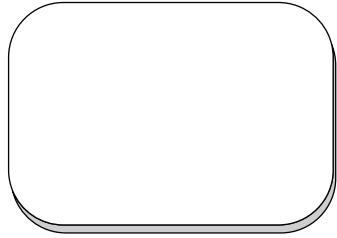
- Bedside crib should never be used in an inclined position when attached to the adult's bed.
- Be aware of the threat posed by a burning cigarette, open flame or other sources of high temperature, such as electric heaters, gas water heaters, etc., in the near vicinity of the crib.
- Do not use the mattress if any parts are broken, torn or missing. Use only the spare parts approved by the manufacturer.
- Only use the mattress sold with this crib, do not add a second mattress on this one, suffocation hazard.
- DO NOT use the bedside crib if any parts are missing, damaged, or broken. Contact the merchant for replacement parts and instructional literature if needed. DO NOT use substitute parts.
- The distance from the floor to the adult's bed for which the bedside crib is in use with must be between 46cm and 64cm.
- The bedside crib is intended only for a standard adult bed. Do not use the product with waterbeds or rounded beds.
- Do not use other mounting systems than described in the manual.
- To avoid risk of suffocation, always attach the bedside crib to the parents' bed with the use of mounting systems described in the manual.
- **WARNING:** To avoid hazards from the child's neck being caught on the top rail on the side that is next to the adult bed, the top rail must not be higher than the adult bed mattress.
- **WARNING:** To avoid the risk of your child being strangled the attachment system to the adult's bed shall always be kept away from and out of the crib.
- This product conforms to EN 16890:2017

# Parts List

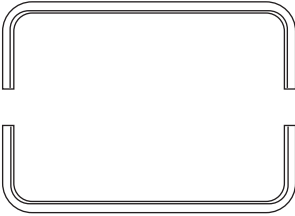
---



Sleeping nest



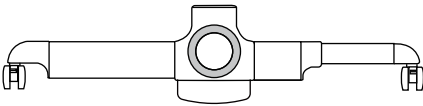
Mattress



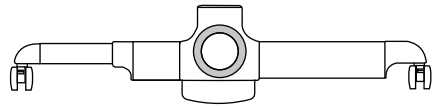
Base support tube



Fixing belt



Left foot



Right foot

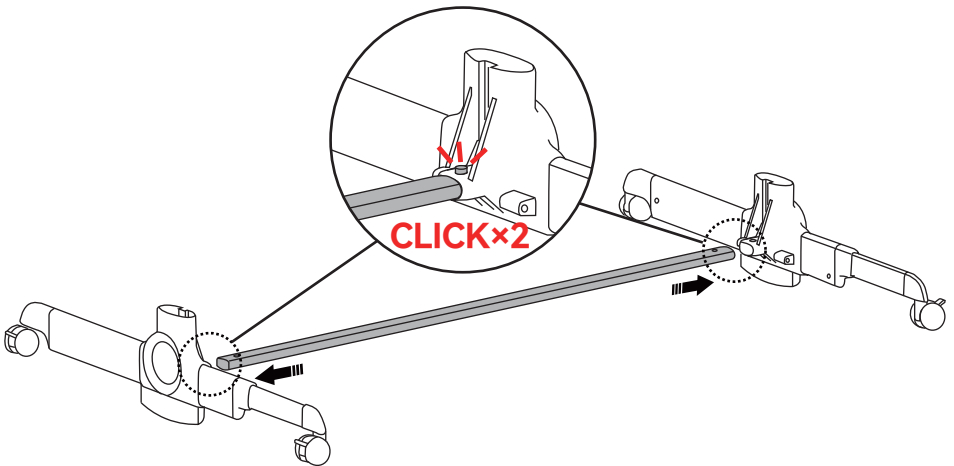
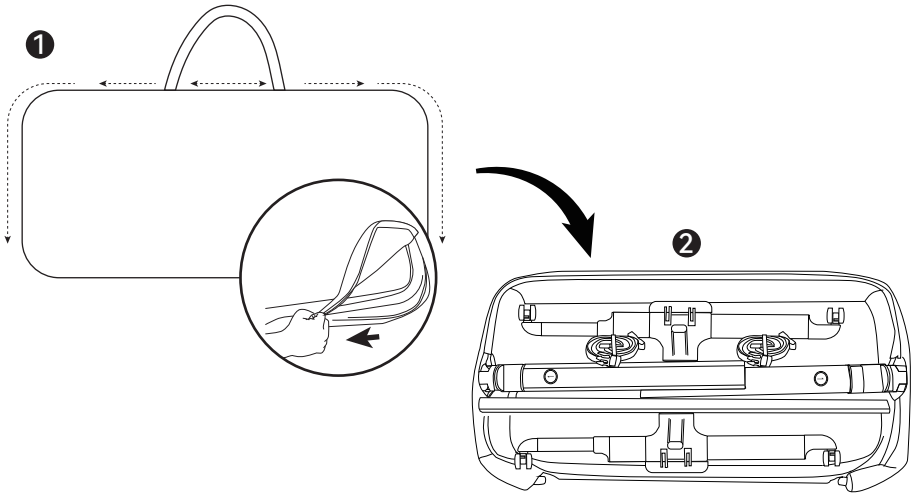


Bottom tube

# How to Assemble the Crib

---

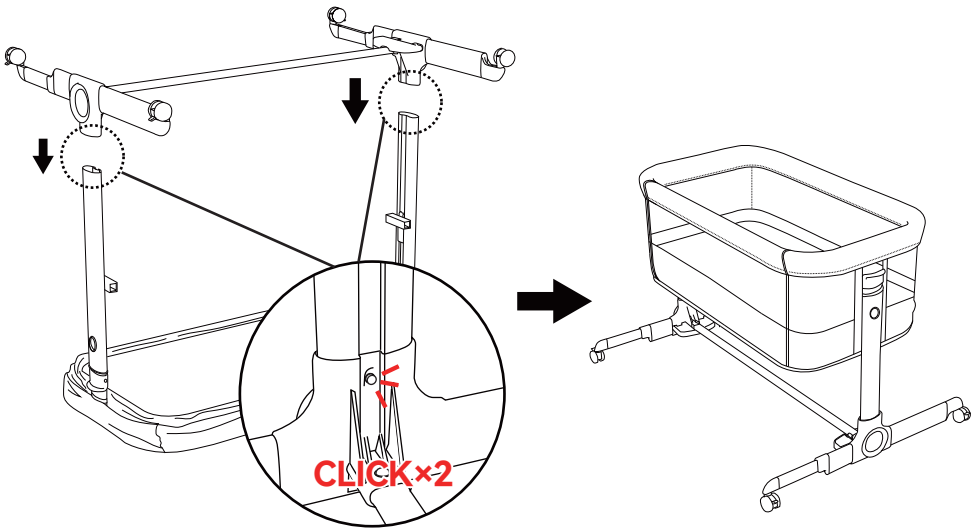
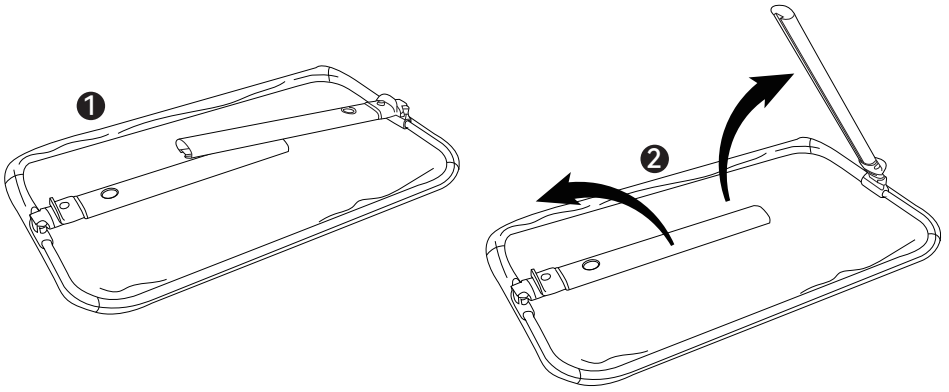
## 1. Remove from bag



2. Insert the bottom tube into the support foot until you hear a clicking sound from both sides.

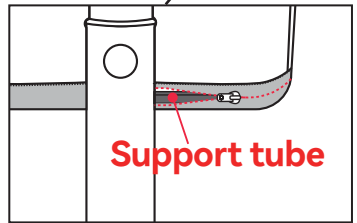
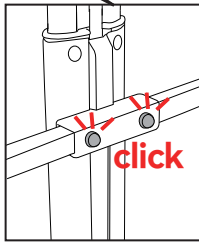
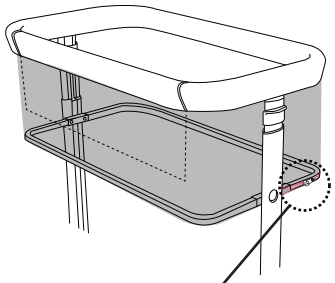
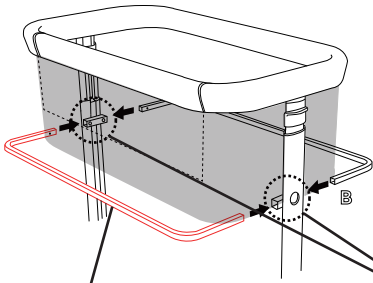
# How to Assemble the Crib

## 3. Unfold the frame



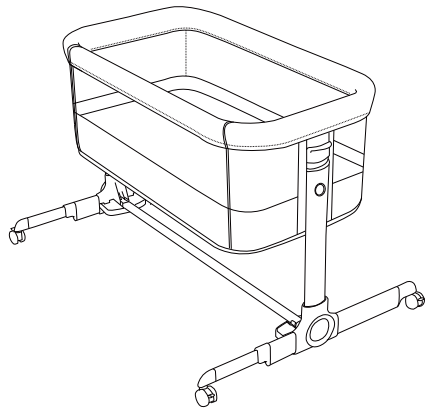
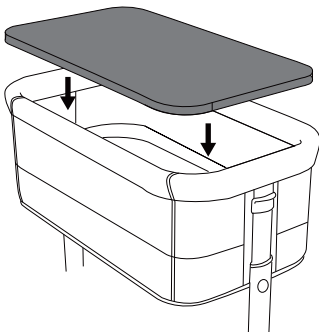
4. Insert the frame tube into the support foot until you hear a clicking sound from both sides.

# How to Assemble the Crib



5. Insert the support tubes into the slot holes on both sides of the bedside crib.

6. Zip up and secure the support tubes on both sides.

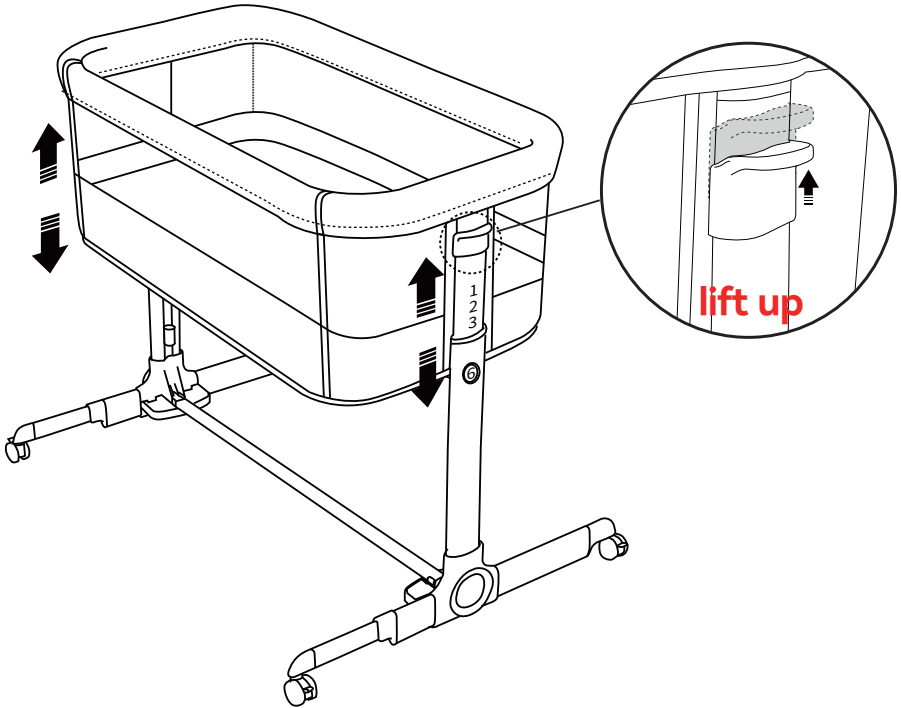


7. Place the mattress and ensure it lies flat. The crib is fully installed.

\*Ensure that all fasteners on the crib (e.g. zippers) are securely fastened, and confirm the stability before use.

## How to Adjust the Height

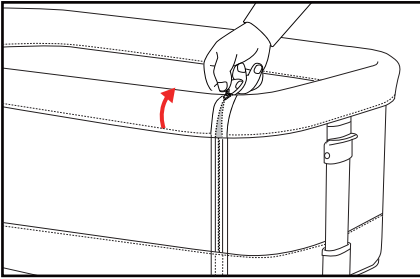
---



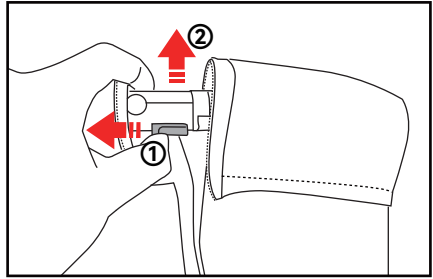
When adjusting the height position, make sure the angle of the inclination of the crib base end to end (head to feet) shall not be greater than  $10^{\circ}$ . Or the difference between the left and right height settings shall be smaller than 2.

***Danger! Bedside crib should never be used in an inclined position when attached to the adult's bed.***

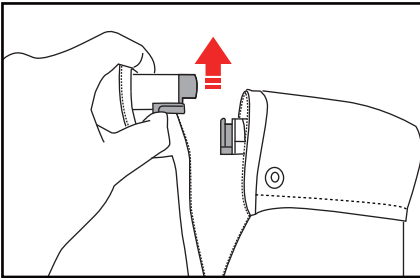
## How to Drop the Side Rail



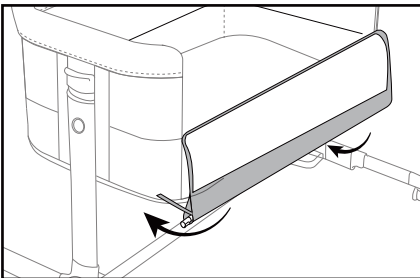
1. Unfasten the zippers on both sides of the side-rail.



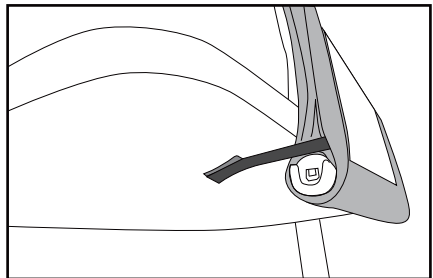
2. Push the button as indicated by the arrow on the button, and lift upwards to release.



3. Remove both ends of the side rail.



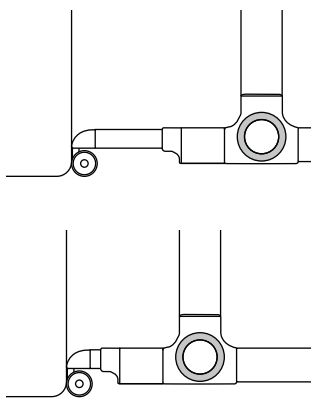
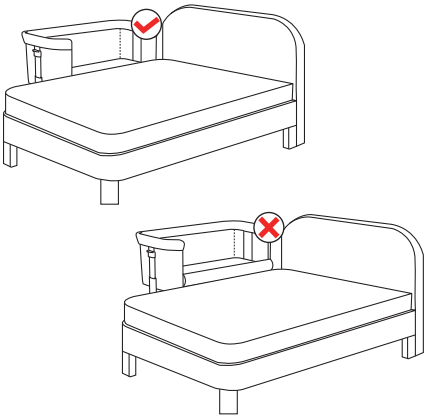
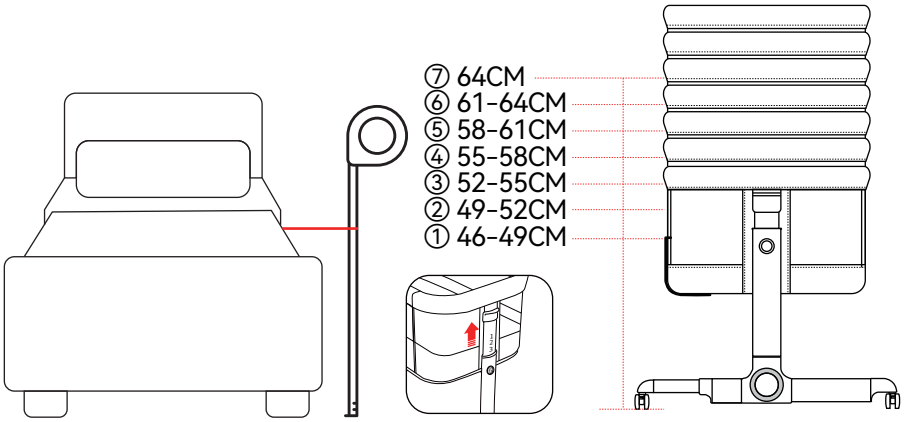
5. Secure the fastening strap to the Velcro on the bottom of the cradle.




***Danger! Always completely raise the drop side when not attached to the adult's bed!***

# How to Use as a Bedside Crib

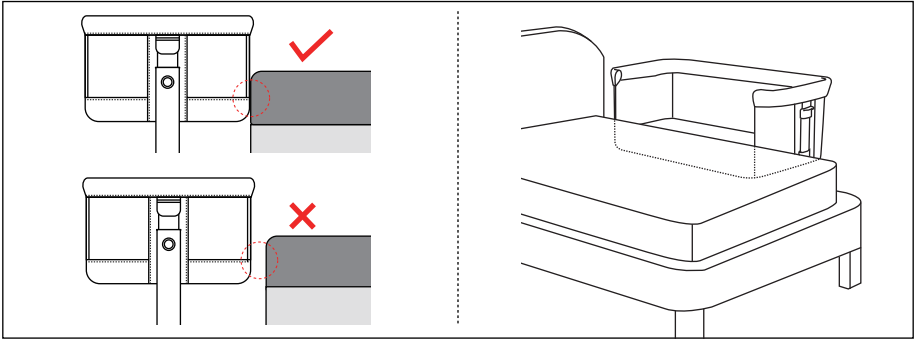
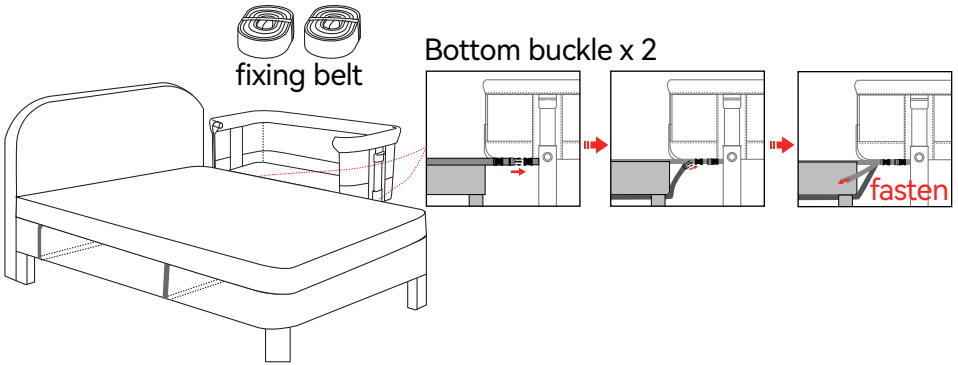
## Attach to the Adult's Bed



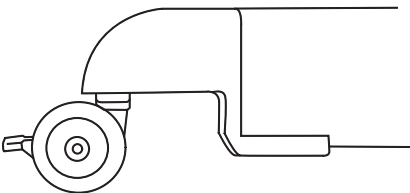
 To avoid hazards from the child's neck being caught on the top of rail on the lowered adjustable side that is next to the adult bed, the top rail must not be higher than the adult bed mattress.

# How to Use as a Bedside Crib

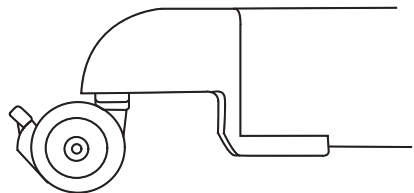
## Attach to the Bed Frame



## How to use the brake



- Push down to lock the brake.

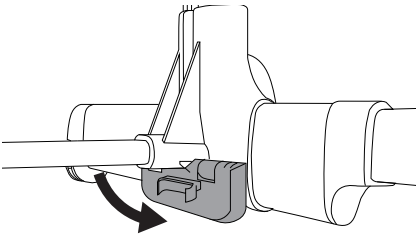


- Push up to unlock the brake.

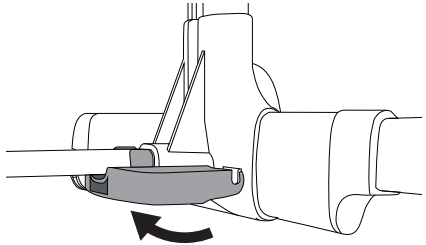
# How to Use Additional Features

---

## Cradle and Crib Modes

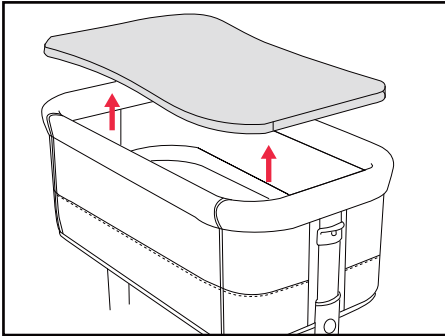


- Rocking Mode: Put down the two-end brackets.

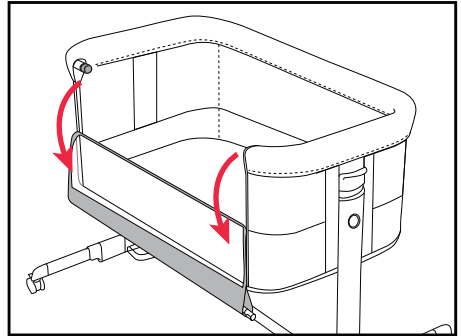


- Static Mode: lift up the two-end brackets.

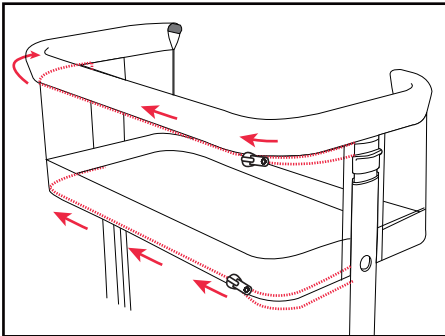
# How to Remove Fabric Cover



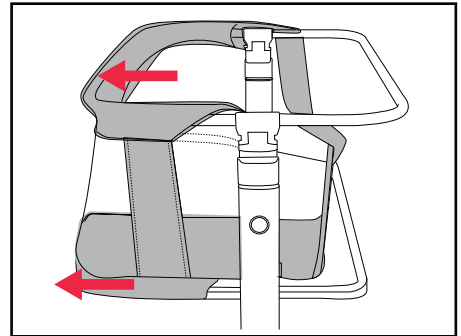
1.Remove the mattress.



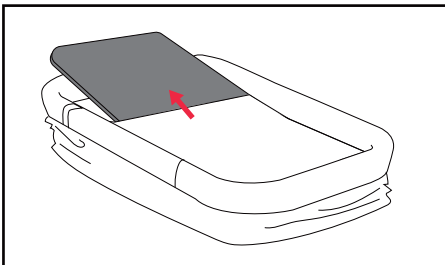
2.Remove the side-rail tube.



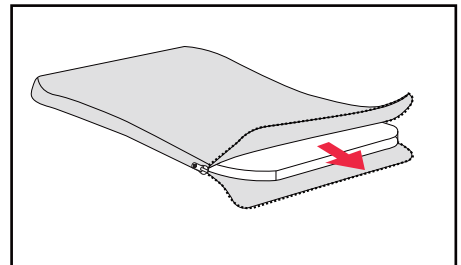
3.Unzip the upper and lower zippers on the back of the crib.



4.Remove the fabric cover by following the the arrow indicators.



5.Remove the rigid support board from inside the fabric cover.



Cleaning the mattress: Open the zipper and take out the foam inside to clean the mattress cover.

## How to Clean and Store

---

- To prevent mould formation, store the product after it has dried, and do not place it in a humid environment.
- Clean the plastic and metal parts with a wet cloth or with a mild detergent. Do not use solvents, ammonia or benzene.
- Dry metal parts immediately after contact with water to avoid the formation of rust.
- Keep all the parts clean and dry.



Do not dry clean



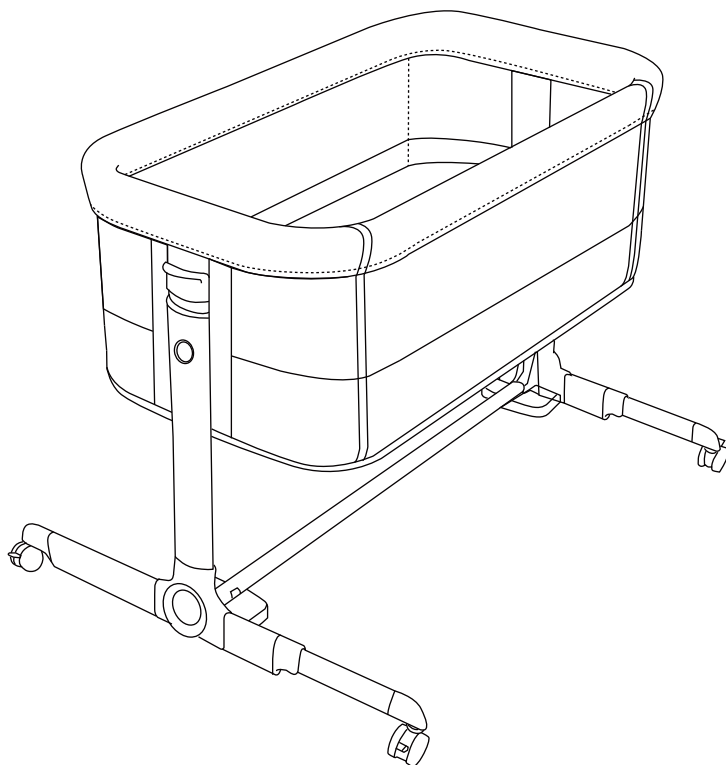
Maximum 30°C



Do not Iron



Flat dry



## NEERA BEDSIDE CRIB

UK – Babymore, Unit C2 Zenith Industrial Estate, Paycocke Road, Basildon, Essex, SS14 3DW

EU - Babymore, Marithaime 8, 6662WD Elst, Netherlands

T: +44 (0) 20 3475 5588 E: [customerservices@babymore.co.uk](mailto:customerservices@babymore.co.uk) W: [babymore.co.uk](http://babymore.co.uk)