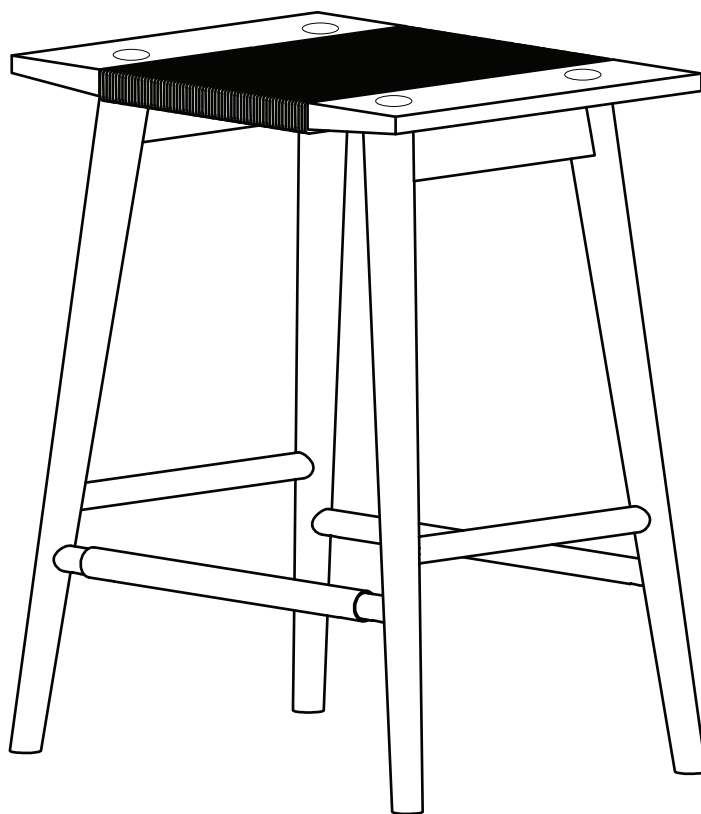


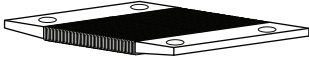
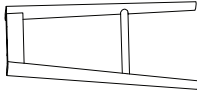
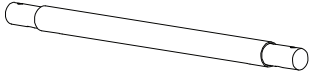
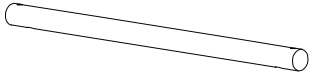
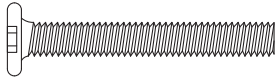

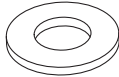
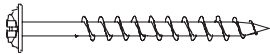
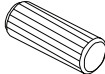

Let's Assembly

Thor Counter Stool

SKU 200100 / 200110 / 200120



The parts

Description	Qty	
A Seat frame	1	
B Left / Right Leg frames	2	
C Front Footrest	1	
D Back Footrest	1	
1 1/4 x 2 1/8 inch Hex Button Head Bolt	4 + Extra	
2 1/4 inch Lock Washer	4 + Extra	
3 1/4 inch Flat Washer	4 + Extra	
4 M4*40mm Screw	4 + Extra	
5 M10 x 25mm Wood Dowel	2 + Extra	
6 Allen Key	1	

What you need

- Use the packaging carton as a working surface to prevent product damage during assembly
- Phillips Screwdriver

Estimated time for assembly

15 minute

Do not use power tools



Weight Limitation

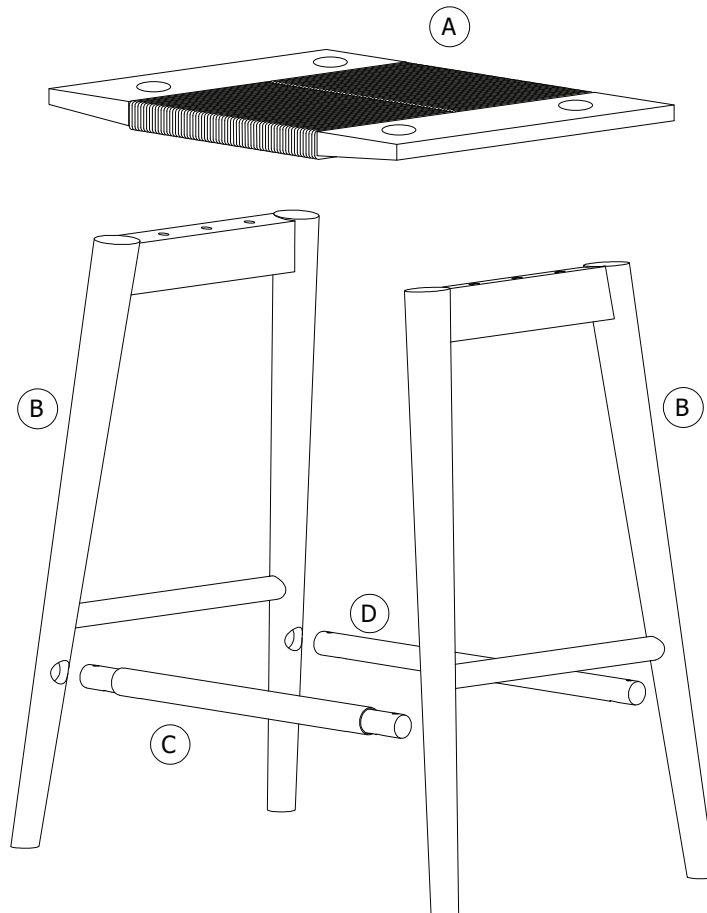


Need Help?

Toll-free at 1-888-909-5546
Help@allforwood.com

The product

Exploded View



IMPORTANT

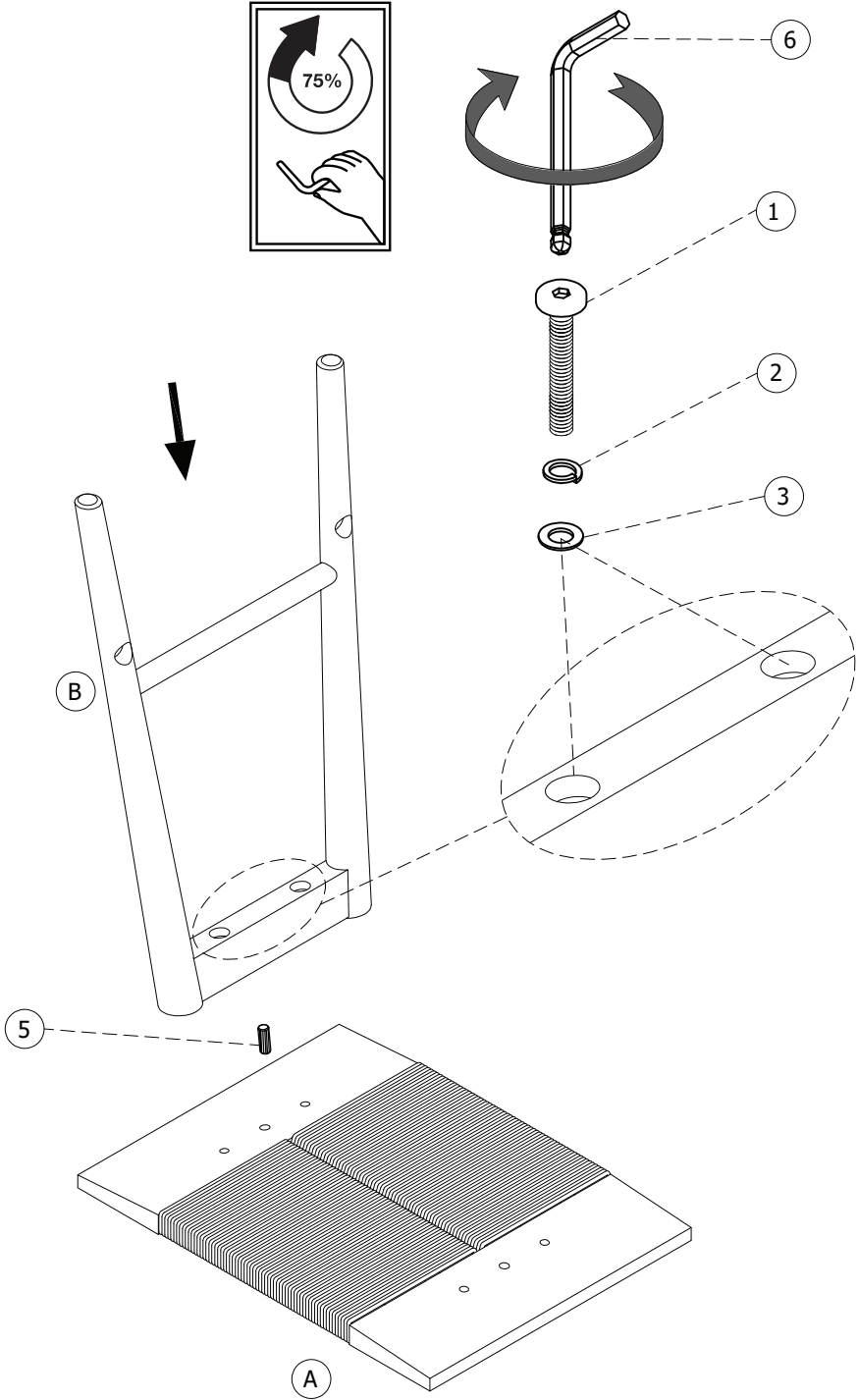
1. Do not tighten bolts / screws completely until all bolts / screws are lined up and inserted into holes
2. Do not over tighten screws and bolts to avoid stripping
3. . Please use hand tools to assemble this product. Do not use power tools.

Step 1

Begin with the Left Legs (B), ensuring the footrest holes are oriented towards the center of the stool's seat platform.

Use the lettered labels to align the components correctly.

Tighten all bolts to 75%.

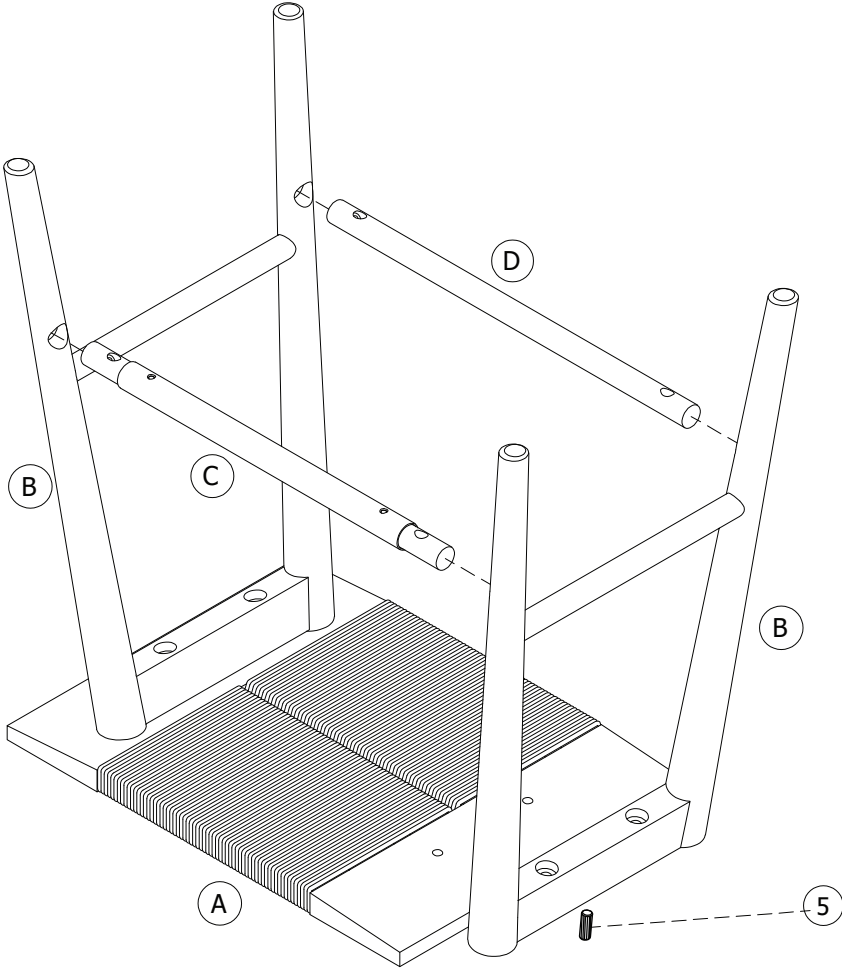


Step 2

Repeat Step 1 for the Right Legs (B), and at the same time, attach the two footrests (front and back) between the two sets of legs.

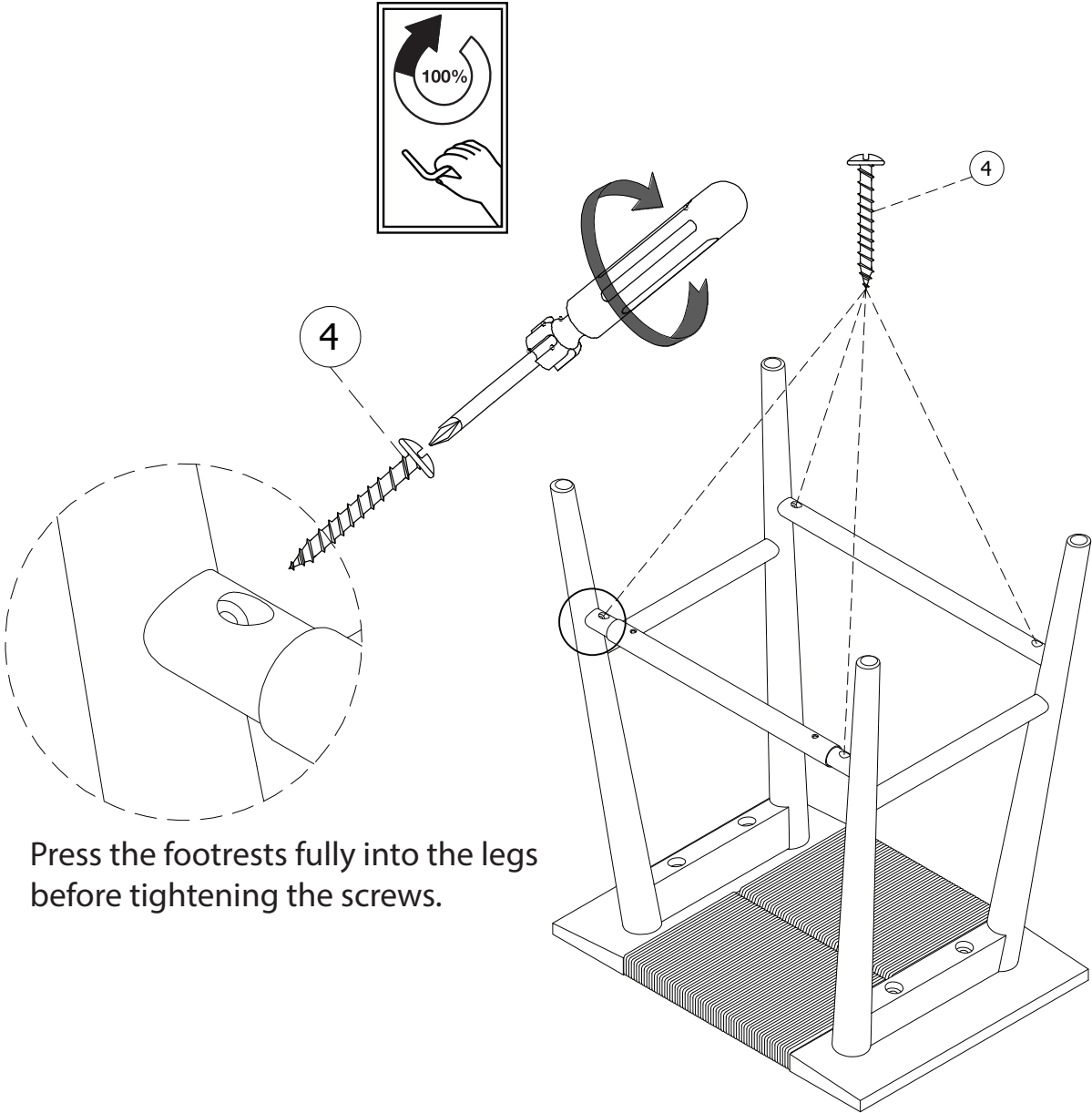


Donot overtighten botls!



Step 3

Secure the footrests using the rounded head screws (4) and tighten them fully.

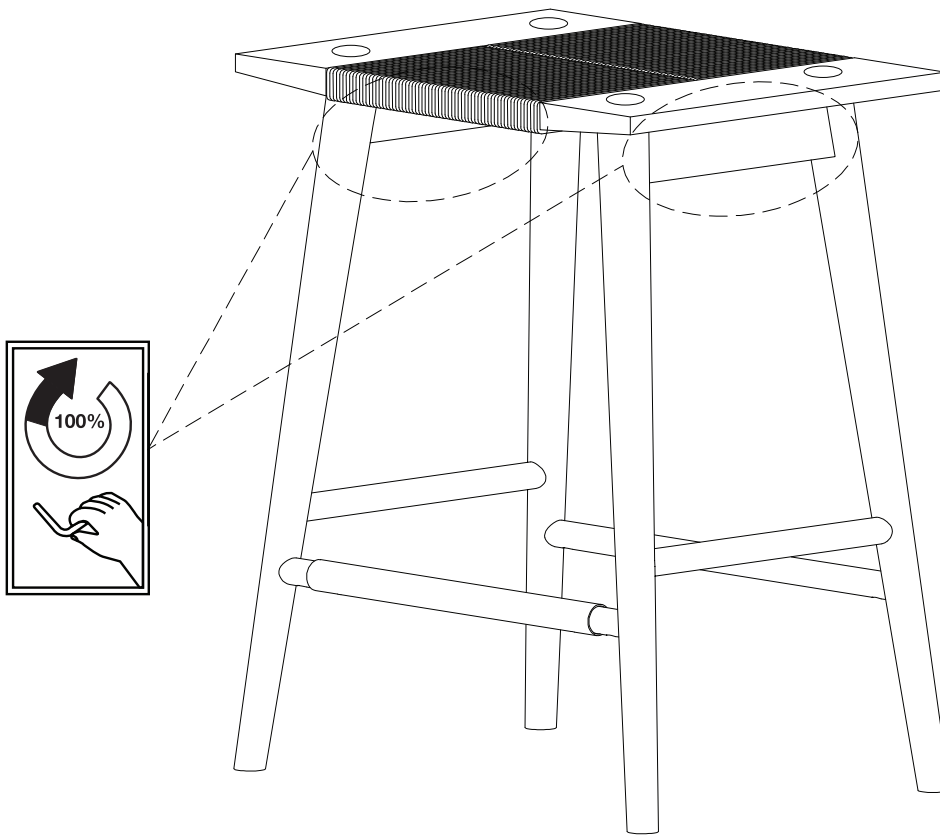


Press the footrests fully into the legs before tightening the screws.

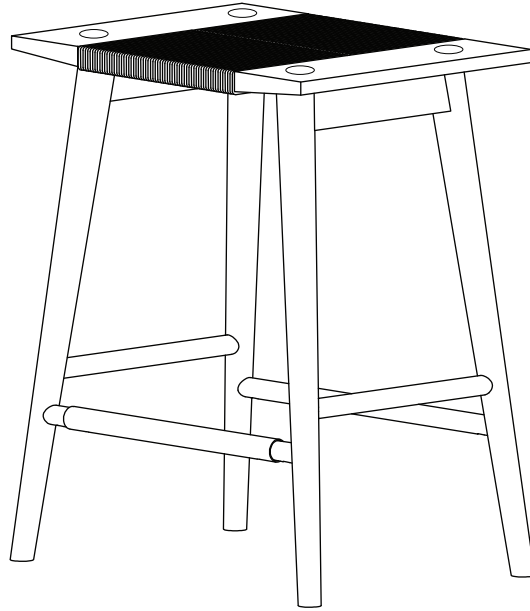
Step 4

Turn the stool upside down on a flat, level surface.

Ensure all legs are touching the ground before fully tightening everything



Ready to use



Prioritize safety

To ensure the longevity of your Thor Counter Stool, we suggest tightening the screws a couple weeks after assembly. For added safety, please check and tighten all screws every two months.

For detailed care and maintenance instructions for the seat and wood, please visit our website at allforwood.com/product.

- | | |
|-------------------|--|
| Proper use | <ul style="list-style-type: none">DO NOT - Modify the structure of this productDO NOT - Use for commercial purposesDO NOT - Play on the stoolDO NOT - Use the stool as a foot stoolDO NOT - Leave spilled liquids on the seatDO NOT - Use the bar stool if it is damagedDO NOT - Perform temporary repairsDO NOT - Use outdoors |
|-------------------|--|

The return

Stress-free returns when we take care of it.

Feel free to call us at

1-888-909-5546

or send us a message at

help@allforwood.com.

We'll provide you with a hassle-free replacement at no cost.

Replacement



Give us a call or email



Replacement



You

Return



Re-package item



Schedule pick up



Track package



Replacement



You

We really want to save you the trouble of re-packaging and returning your item, because let's be honest, no one has time for that.

Warranty

This product includes a specific warranty period starting from the purchase date. To register your product, simply scan the QR code with your phone

Scan me!

For Warranty



Need Help?

Toll-free at 1-888-909-5546

Help@allforwood.com

www.allforwood.com