






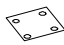

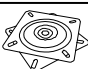

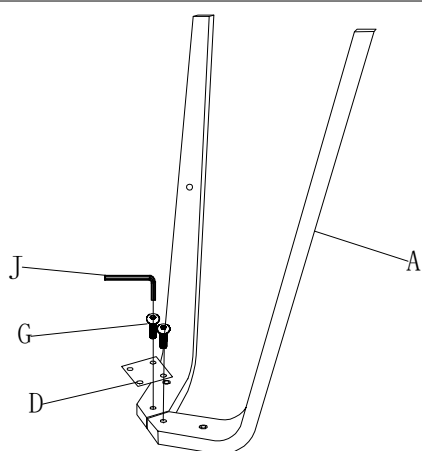
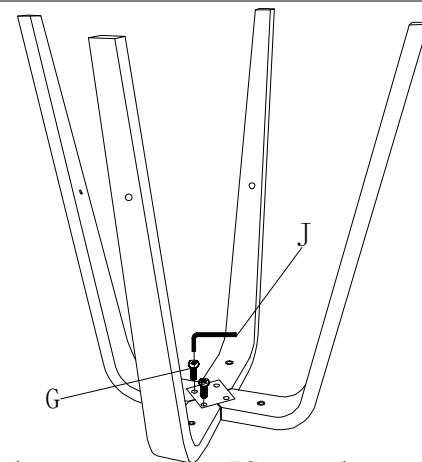


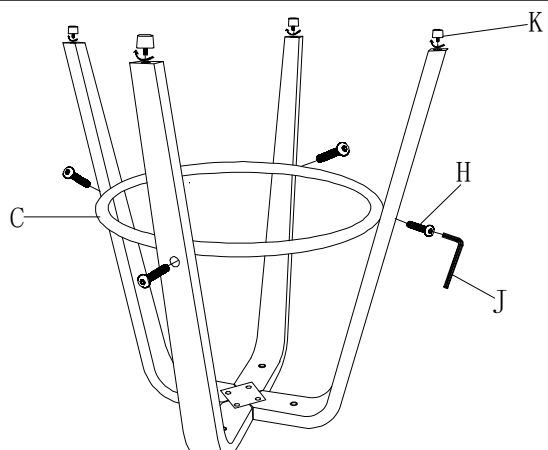
KEY	QTY	DESCRIPTION	KEY	QTY	DESCRIPTION
			F	4	 M6x16mm
A	4		G	8	 M6x20mm
B	1		H	4	 M6x30mm
C	1		I	4	
D	1		J	1	
E	1		K	4	



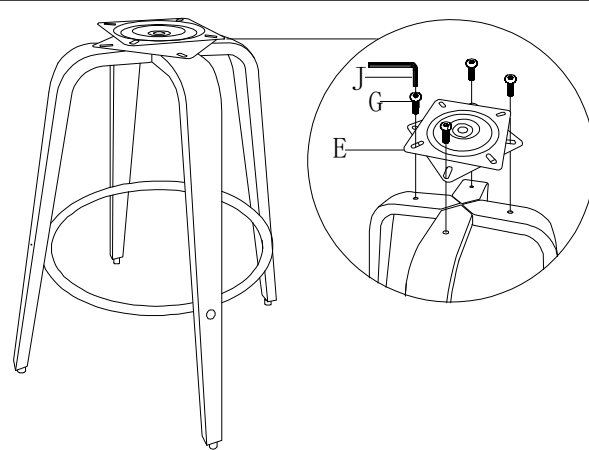
Tighten the screws to 70% tightness. STEP 1



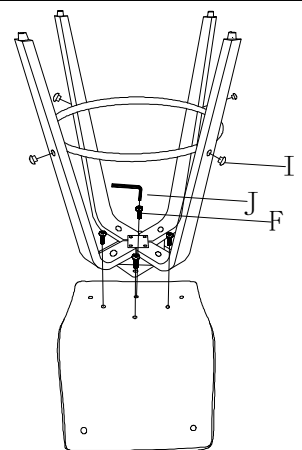
Tighten the screws to 70% tightness. STEP 2



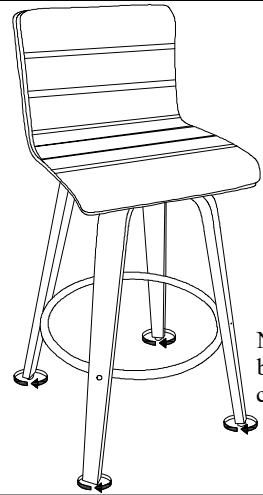
Tighten the screws to 70% tightness. STEP 3



Tighten the screws to 100% tightness. STEP 4



Tighten the screws to 100% tightness. STEP 5



Note: After assembly, adjust the leg balancers if needed, so that the stool can be in balance perfectly.

STEP 6