

User's Manual

探索人与宠物的生活空间关系，专注猫爬架、猫窝设计生产16年，打造宠物的理想家，与家具融为一体，是福乐迪设计师们为之努力的目标，如今国内外已有近1000项外观设计，在国内外35个国家及地区销售。

Exploring the relationship between people and pets in living spaces, we have been focusing on the design and production of cat trees and cat beds for 16 years. Our goal at Fuledi is to create the ideal home for pets, seamlessly blending with furniture.

Today, we hold nearly 1,000 design patents and our products are sold in 35 countries and regions worldwide.

1000+

国内外专利设计

Domestic and International
Patented Designs

40000m²

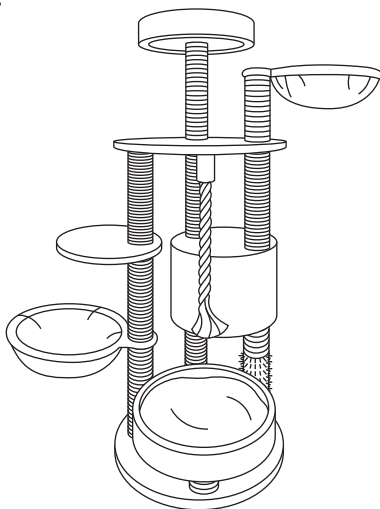
现代化生产基地

Modern Production Base

35+

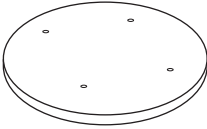
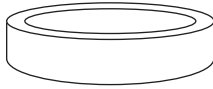
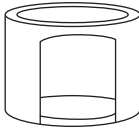
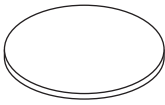
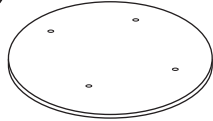
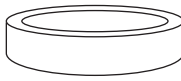











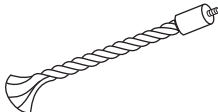
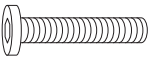
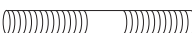

出口国家和地区

Export Countries and
Regions



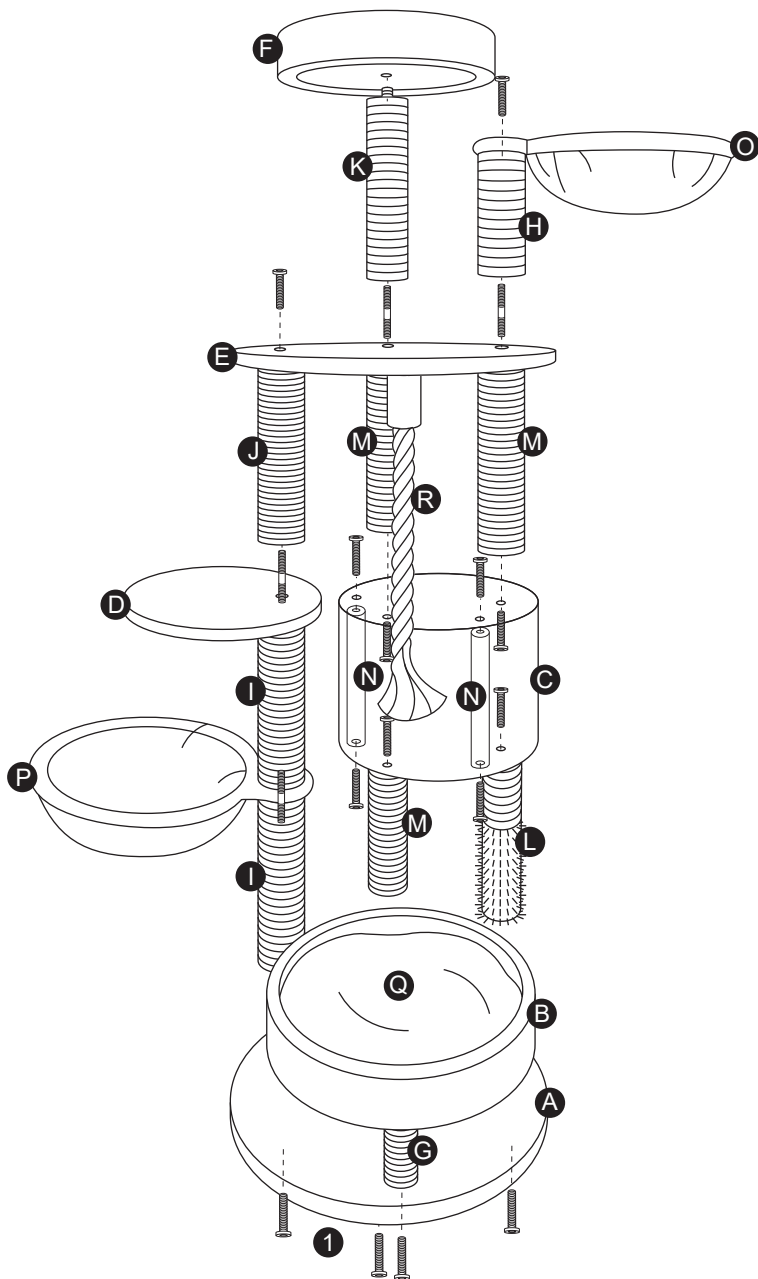
Please read this manual carefully before using the product.

Please carefully keep this instruction manual for reference after reading.

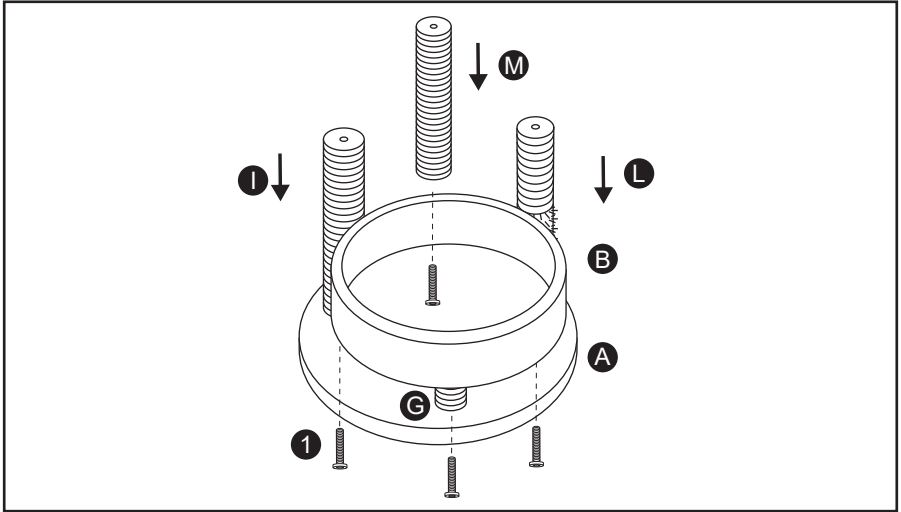
<p>A</p>  <p>X1</p>	<p>B</p>  <p>X1</p>	<p>C</p>  <p>X1</p>
<p>D</p>  <p>X1</p>	<p>E</p>  <p>X1</p>	<p>F</p>  <p>X1</p>
<p>G $\Phi 8.5 \times 18 \text{cm}$</p>  <p>X1</p>	<p>H $\Phi 8.5 \times 25 \text{cm}$</p>  <p>X1</p>	<p>I $\Phi 8.5 \times 36 \text{cm}$</p>  <p>X2</p>
<p>J $\Phi 8.5 \times 36.5 \text{cm}$</p>  <p>X1</p>	<p>K $\Phi 8.5 \times 40 \text{cm}$</p>  <p>X1</p>	<p>L $\Phi 8.5 \times 40 \text{cm}$</p>  <p>X1</p>
<p>M $\Phi 8.5 \times 40 \text{cm}$</p>  <p>X3</p>	<p>N $\Phi 4 \times 28 \text{cm}$</p>  <p>X2</p>	<p>O</p>  <p>X1</p>
<p>P</p>  <p>X1</p>	<p>Q</p>  <p>X2</p>	<p>R</p>  <p>X1</p>
<p>1 M8x35mm</p>  <p>X14+2(spare)</p>	<p>2 M8x60mm</p>  <p>X4+1(spare)</p>	<p>3 M8</p>  <p>X1</p>

Product Size: 60*60*163cm
Product weight: 19kg

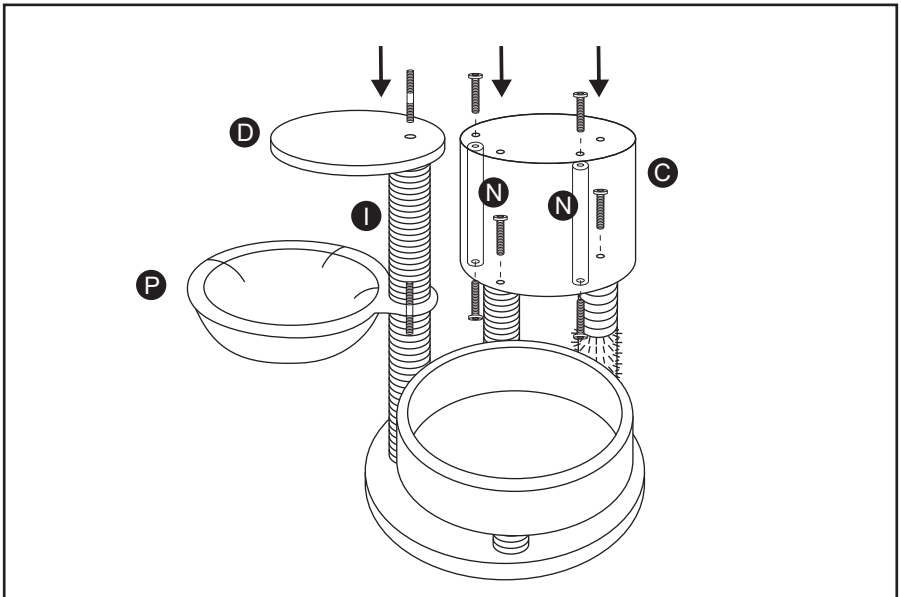
Dimensional drawing of columns
Unit: centimeters



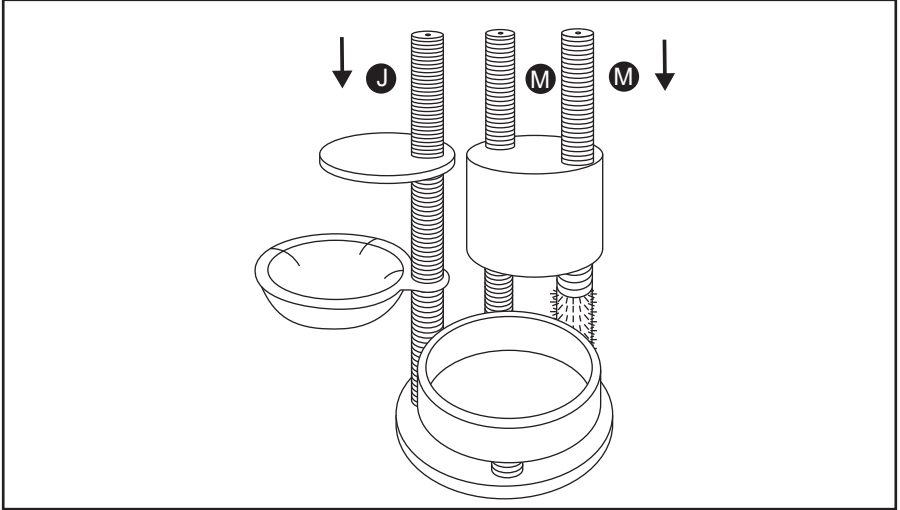
- ① Connect the pillars (G, L, M, I) to the base plate (A) and the disc (B) and tighten them with screws (1).



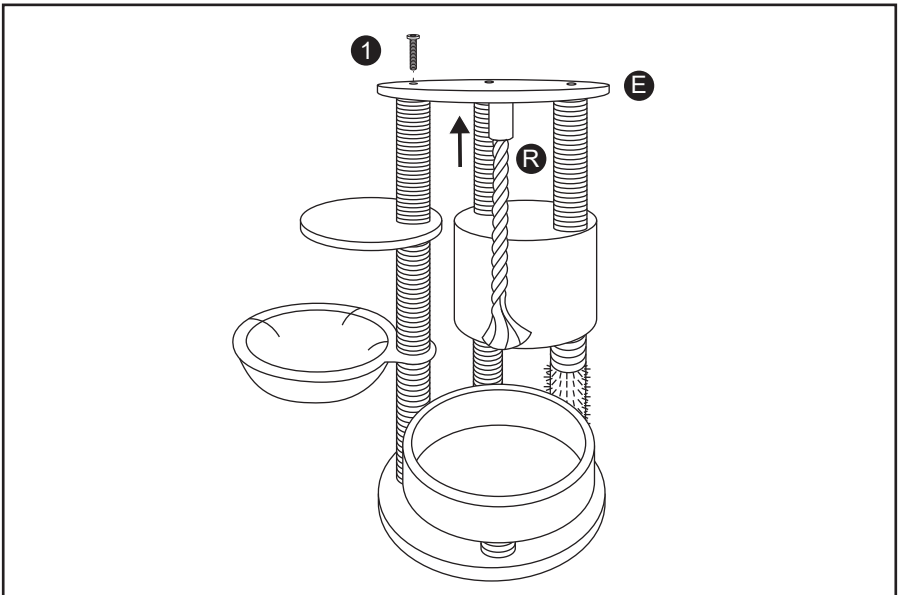
- ② Install (P) (I) (D), column-shaped rooms (C), and room columns (N), and tighten them with screws.



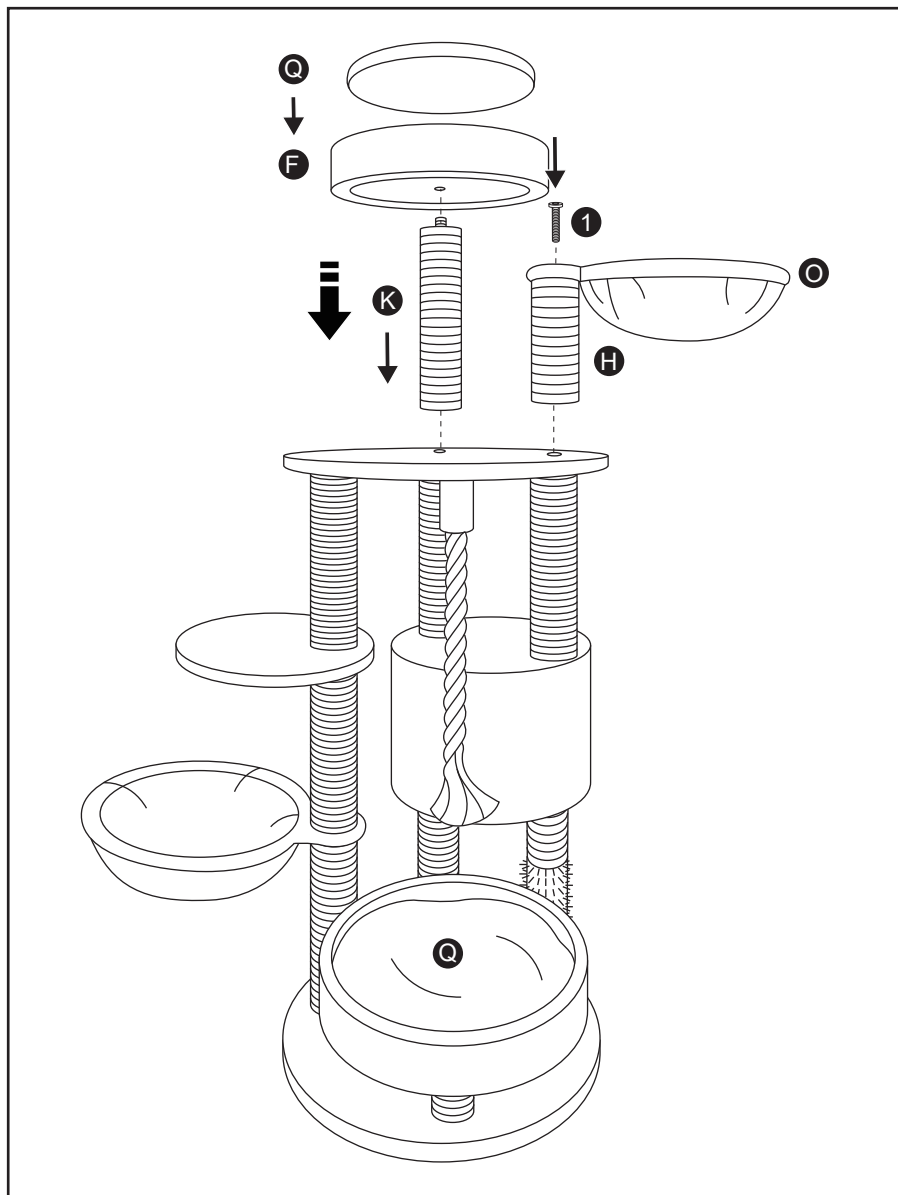
- ③ Install the third-layer columns (M) (J), and tighten them with screws.



- ④ Install the (E) plate and tighten with screws. Screw the accessories (R) into the bottom.



- ⑤ Install the top, and tighten with screws. As shown in the figure. And check whether all accessories are fixed, the installation is complete.



猫粘性高达98%

Cat adhesion reaches up to 98%.

平均一次玩32分钟

On average, each play session lasts 32 minutes.

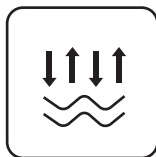
- 测试7个月解决落灰问题
- 7 months of testing to solve the dust issue.
- 猫猫认可的猫爬架才能闪亮登场
- Only cat-approved cat trees can shine on stage.

Important Notes:



耐磨耐抓

Wear-resistant and
scratch-resistant



透气防滑

Breathable and non-slip



细腻触感

Delicate touch

温馨提示:

由于猫爬架是大件物品，如果在发货后因为个人原因拦截或拒收，退回的运费将由您自行承担。不过，如果您的猫突然决定不喜欢它，欢迎来店铺选择其他款式，我们为您优惠！感谢您的理解与配合！

Kind reminder:

As the cat tree is large, if you intercept or reject it for personal reasons after dispatch, you'll bear the return shipping cost. If your cat doesn't like it, visit our store for other styles with a discount. Thanks for your understanding!