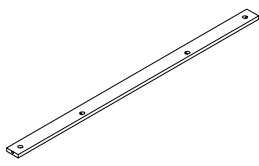
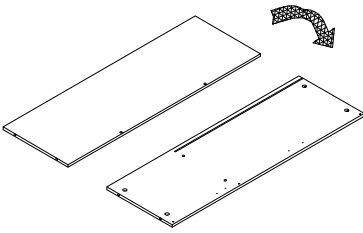
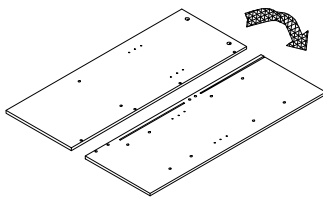
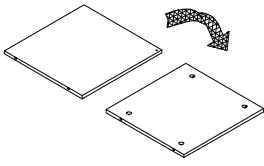
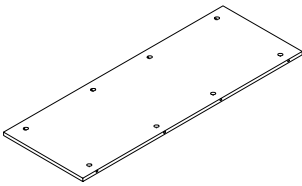
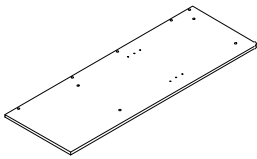
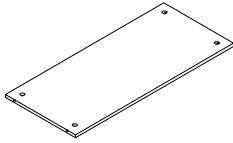

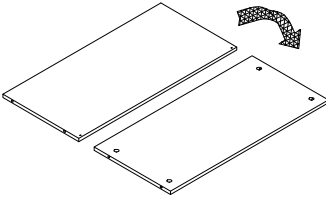
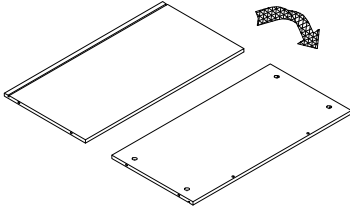
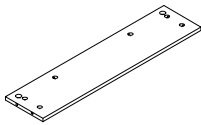
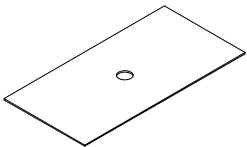
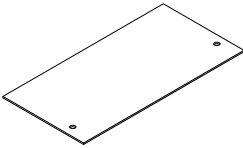
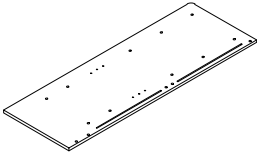
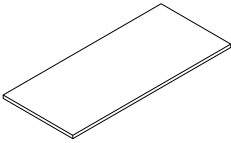
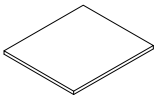
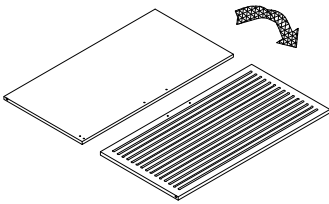
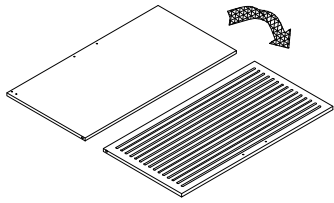
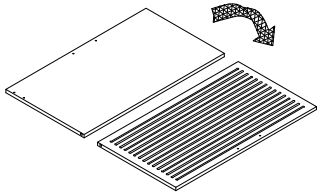
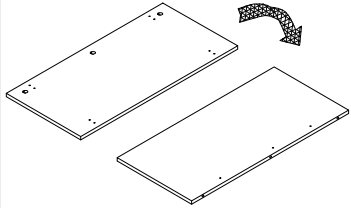
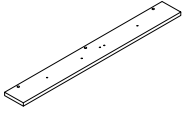
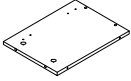
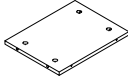
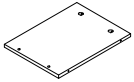
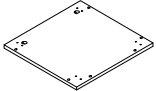
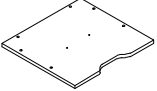
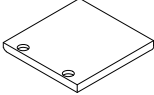
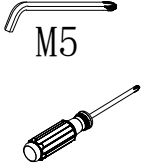








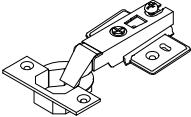


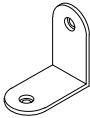
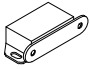
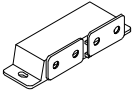
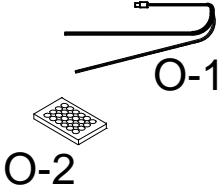
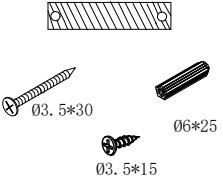


ASSEMBLY INSTRUCTION

<p>① 1PC</p> 	<p>② 1PC</p> 	<p>③ 1PC</p> 	<p>④ 1PC</p> 
<p>⑤ 1PC</p> 	<p>⑥ 1PC</p> 	<p>⑦ 2PCS</p> 	<p>⑧ 1PC</p> 
<p>⑨ 1PC</p> 	<p>⑩ 1PC</p> 	<p>⑪ 1PC</p> 	<p>⑫ 1PC</p> 
<p>⑬ 1PC</p> 	<p>⑭ 1PC</p> 	<p>⑮ 1PC</p> 	<p>⑯ 1PC</p> 
<p>⑰ 1PC</p> 	<p>⑱ 1PC</p> 	<p>⑲ 1PC</p> 	<p>⑳ 1PC</p> 

ASSEMBLY INSTRUCTION

<p>⑳ 1PC</p> 	<p>㉑ 1PC</p> 	<p>㉒ 1PC</p> 	<p>㉓ 1PC</p> 
<p>㉔ 1PC</p> 	<p>㉕ 1PC</p> 	<p>㉖ 1PC</p> 	<p>M5</p> 
<p>A 61PCS</p>  <p>M6*40</p>	<p>B 61PCS</p>  <p>Ø15*9.5</p>	<p>C 52PCS</p>  <p>Ø3.5*12</p>	<p>D 6PCS</p> 
<p>E 8PCS</p> 	<p>F 11PCS</p>  <p>Ø5*15</p>	<p>G 3PCS</p>  <p>φ7*18</p>	<p>H 5sets</p>  <p>96# M4*16</p>
<p>I 2PCS</p> 	<p>J 6PCS</p>  <p>M5*38</p>	<p>K 8PCS</p>  <p>30*12*13</p>	<p>L 3PCS</p>  <p>29*29*16</p>
<p>M 1PC</p>  <p>54*23*12</p>	<p>N 1PC</p>  <p>87*26*15</p>	<p>O 1set</p>  <p>O-1 O-2</p>	<p>P 1set</p>  <p>Ø3.5*30 06*25 Ø3.5*15</p>

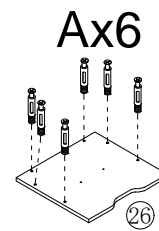
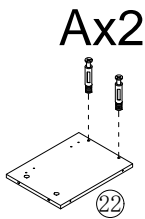
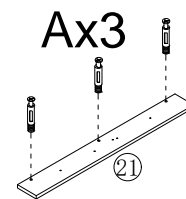
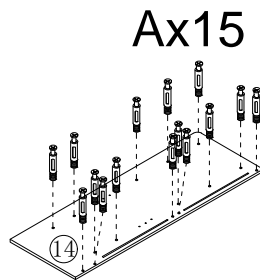
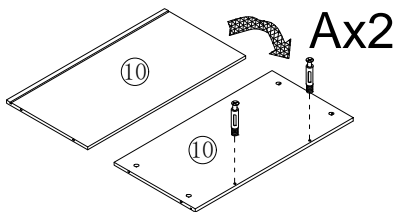
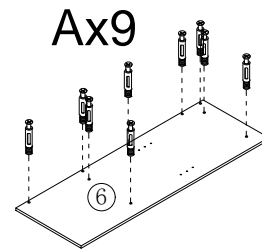
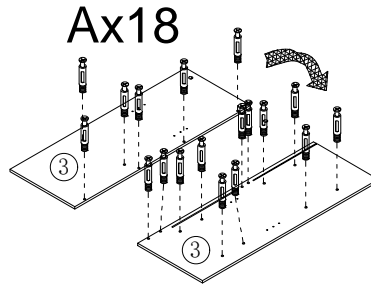
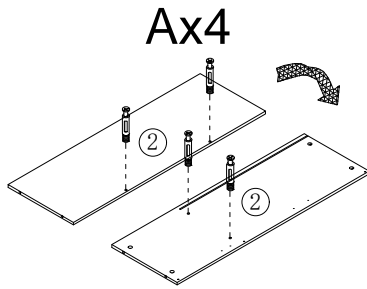
ASSEMBLY INSTRUCTION

Step 1

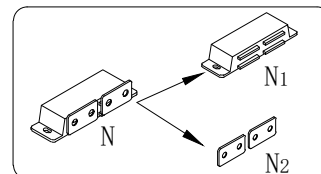
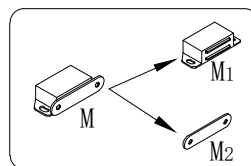
A 61PCS



M6*40



Step 2



C 4PCS



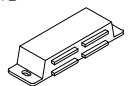
Ø3.5*12

M1 1PC

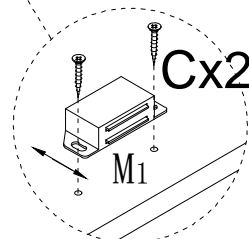
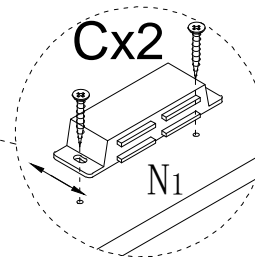
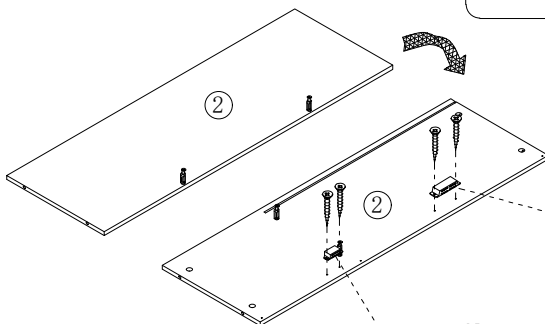


54*23*12

N1 1PC



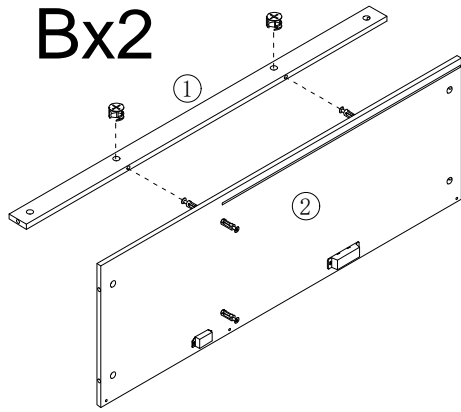
87*26*15



ASSEMBLY INSTRUCTION

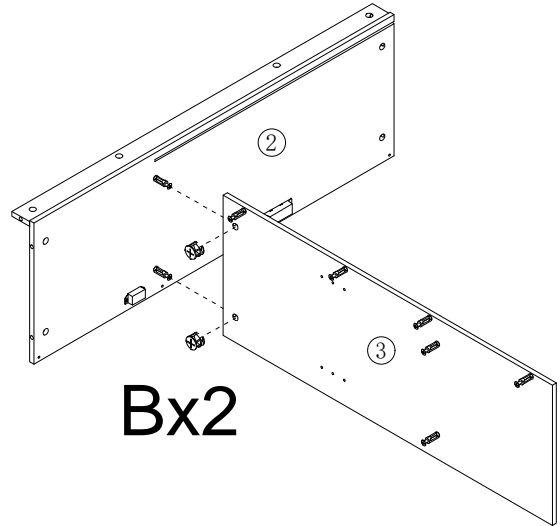
Step 3

B 2PCS
Ø15*9.5



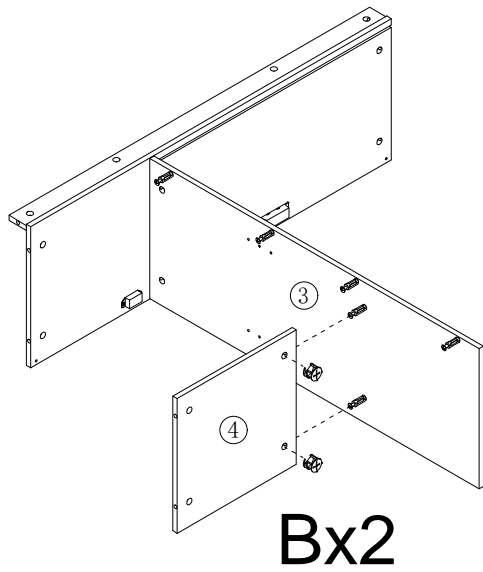
Step 4

B 2PCS
Ø15*9.5



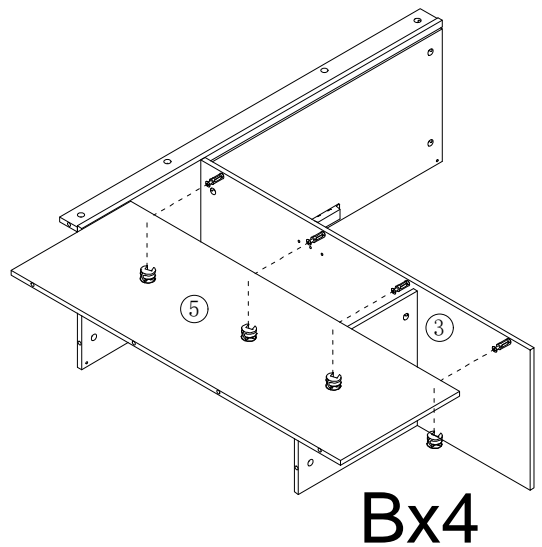
Step 5

B 2PCS
Ø15*9.5



Step 6

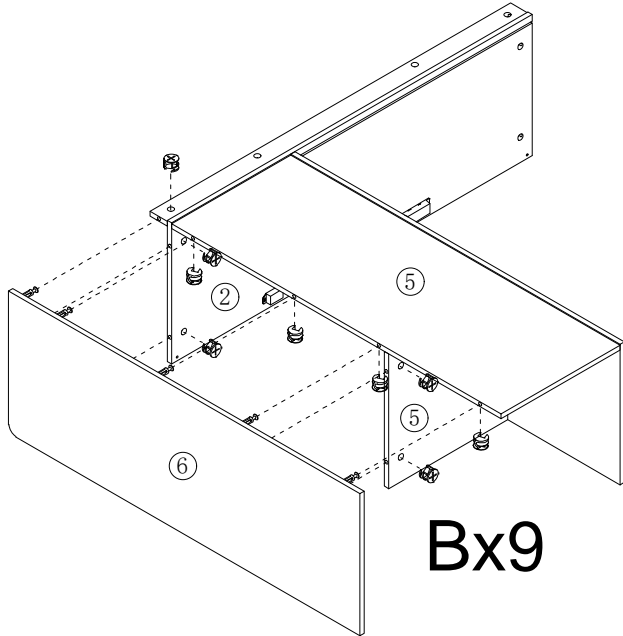
B 4PCS
Ø15*9.5



ASSEMBLY INSTRUCTION

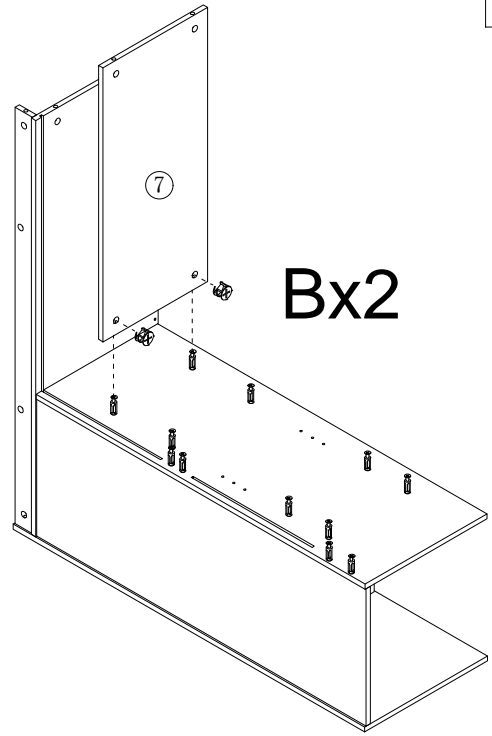
Step 7

B 9PCS
Ø15*9.5



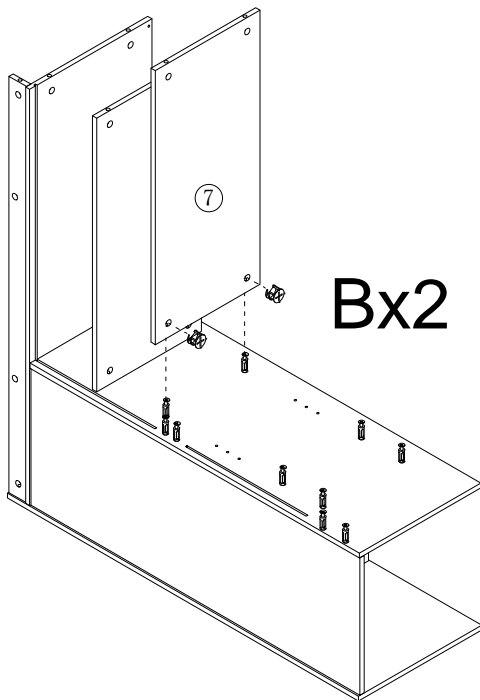
Step 8

B 2PCS
Ø15*9.5



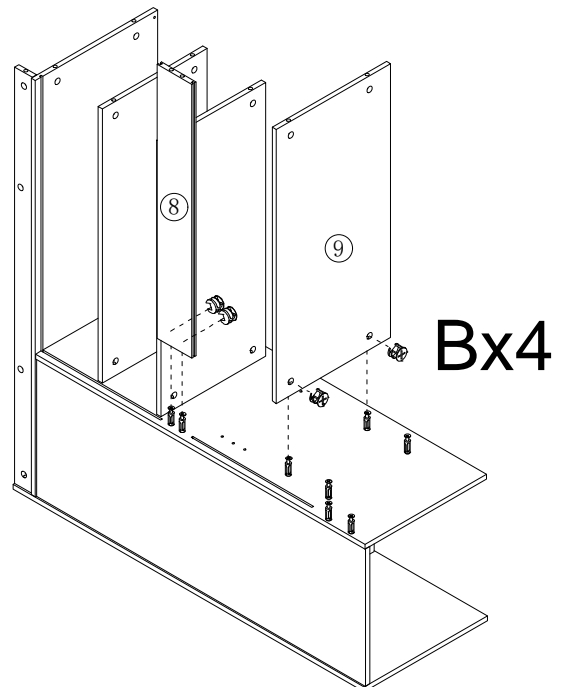
Step 9

B 2PCS
Ø15*9.5



Step 10

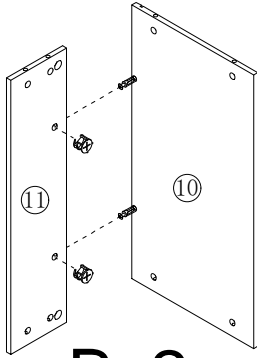
B 4PCS
Ø15*9.5



ASSEMBLY INSTRUCTION

Step 11

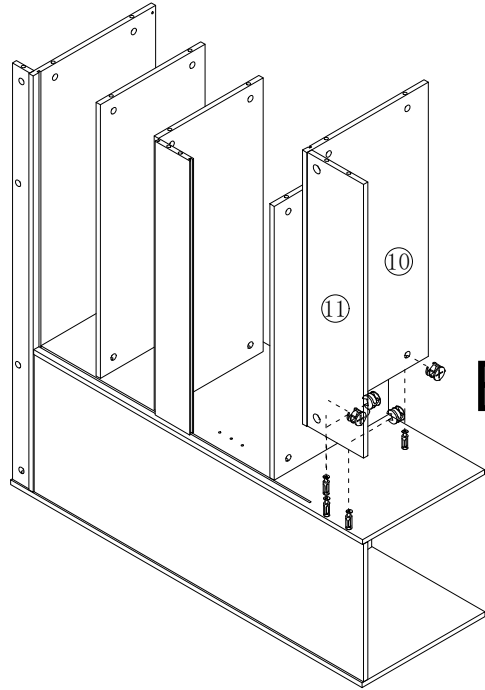
B 2PCS
Ø15*9.5



Bx2

Step 12

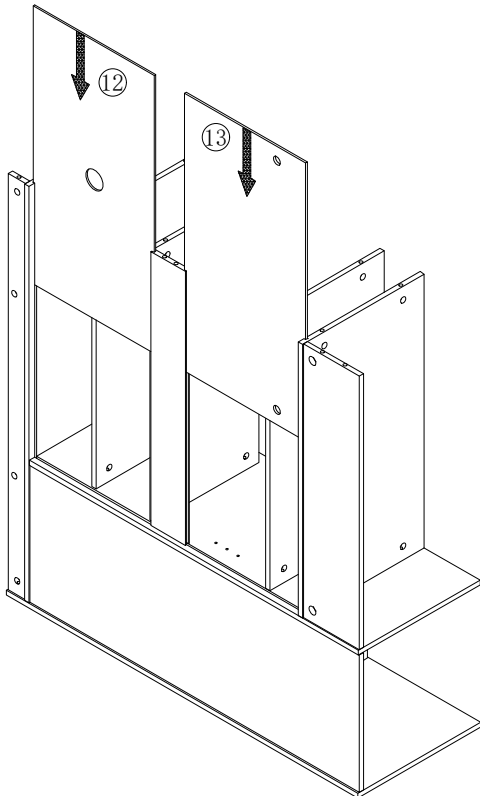
B 4PCS
Ø15*9.5



Bx4

Do not lock accessory B in this step for now. Lock accessory B after installation in step 13. Thank you

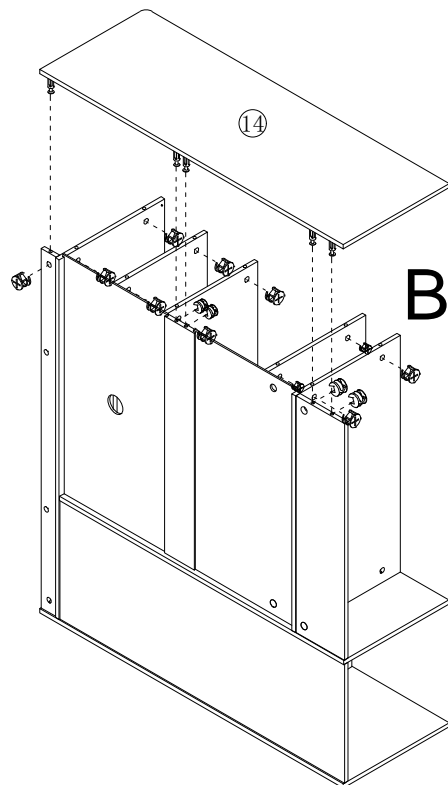
Step 13



Bx15

Step 14

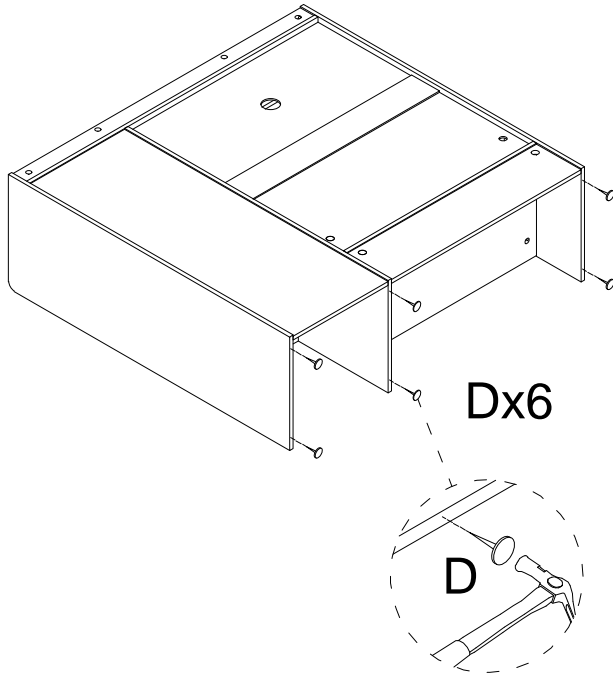
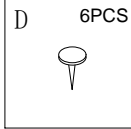
B 15PCS
Ø15*9.5



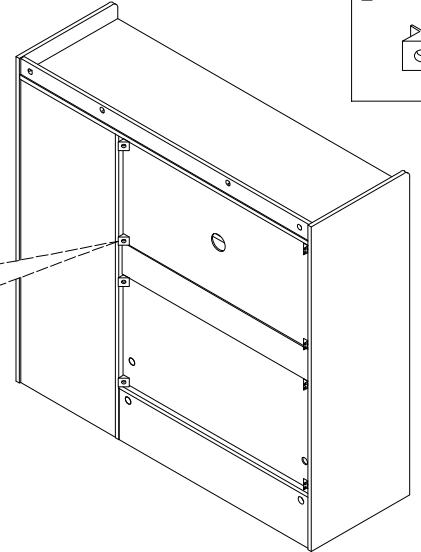
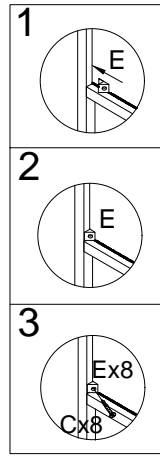
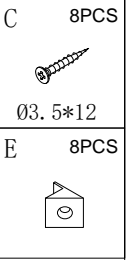
Bx15

ASSEMBLY INSTRUCTION

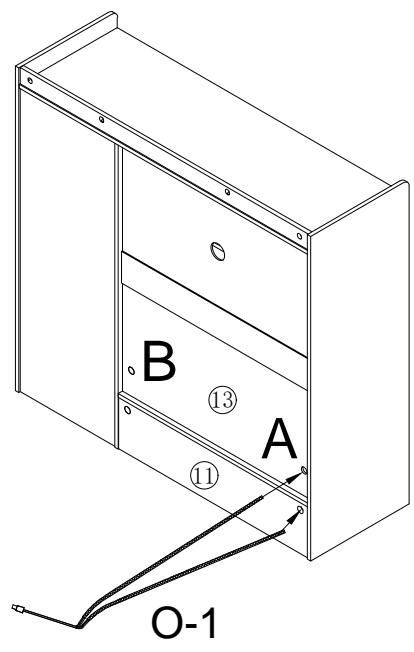
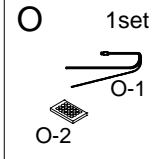
Step 15



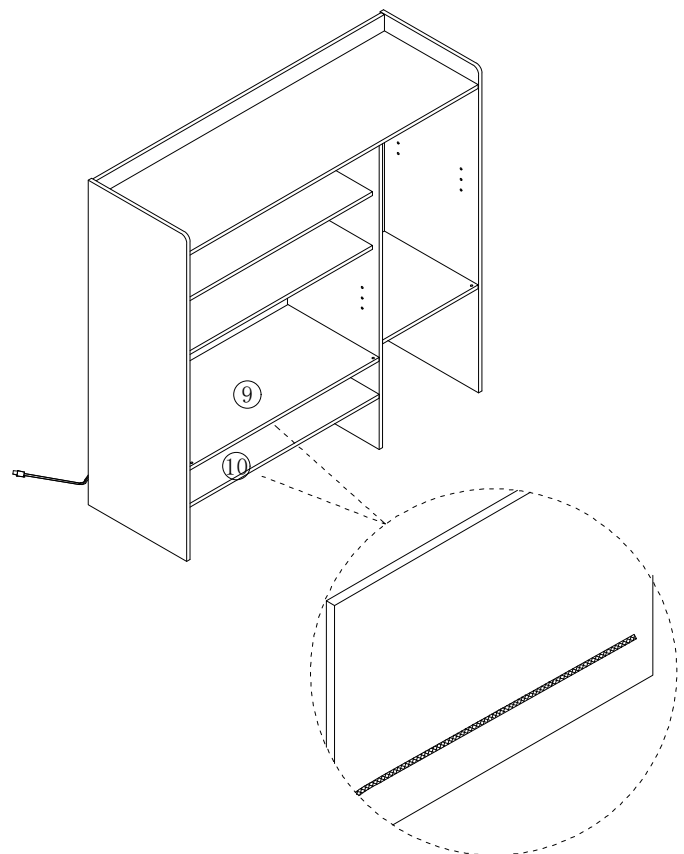
Step 16



Step 17



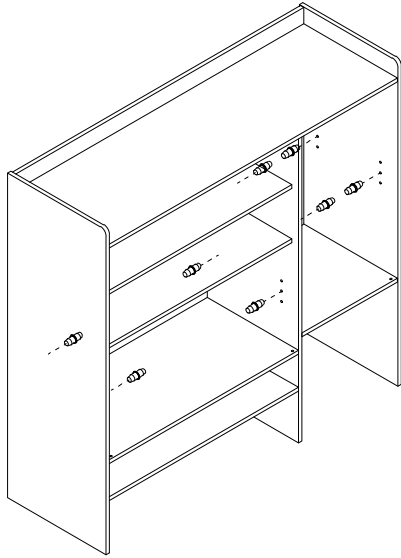
Step 18



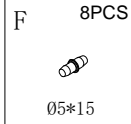
Please choose to insert accessory O-1 from point A or B according to your own needs.

ASSEMBLY INSTRUCTION

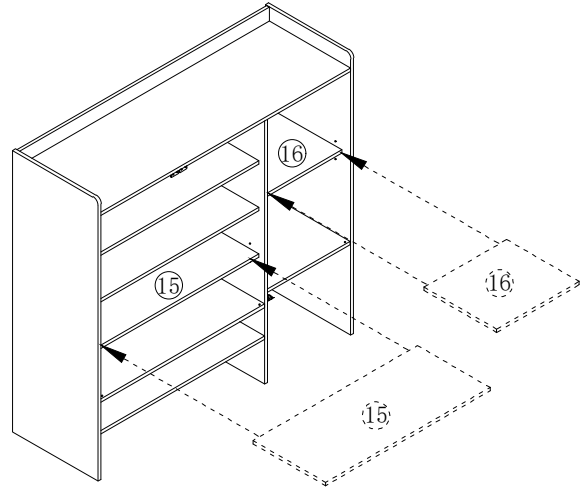
Step 19



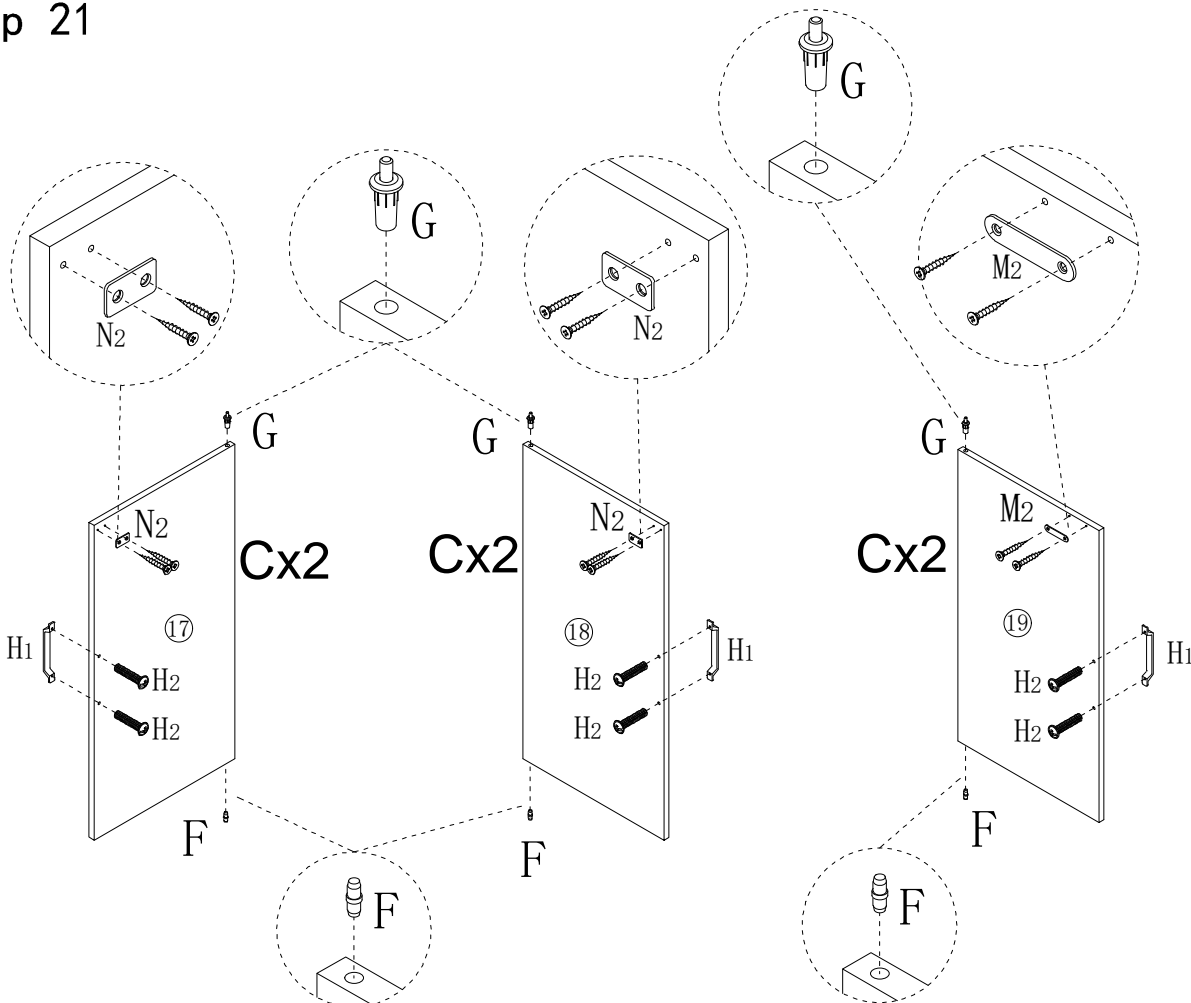
Fx8


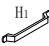







Step 20



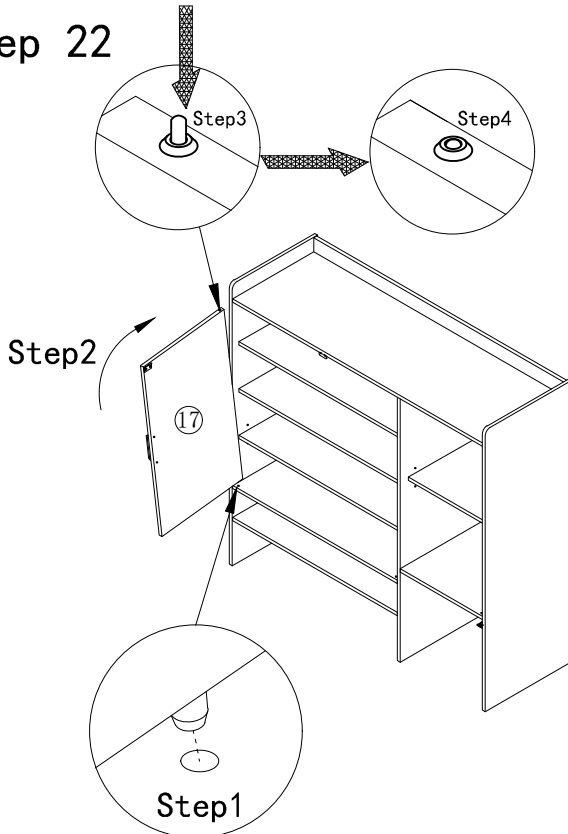
Step 21



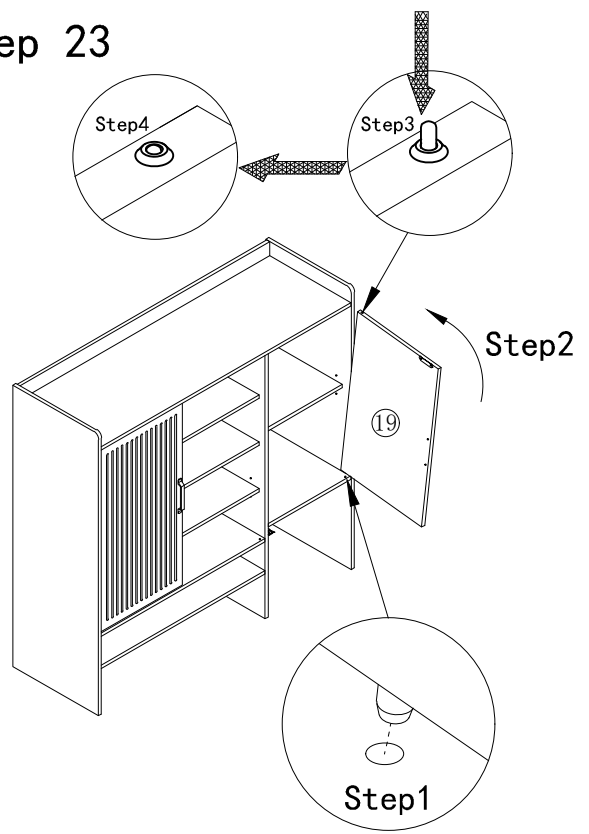
C	6PCS
	Ø3.5*12
H	3sets
 	96# M4*16
F	3PCS
	Ø5*15
G	3PCS
	φ7*18
M2	1PC
	
N2	2PCS
	

ASSEMBLY INSTRUCTION

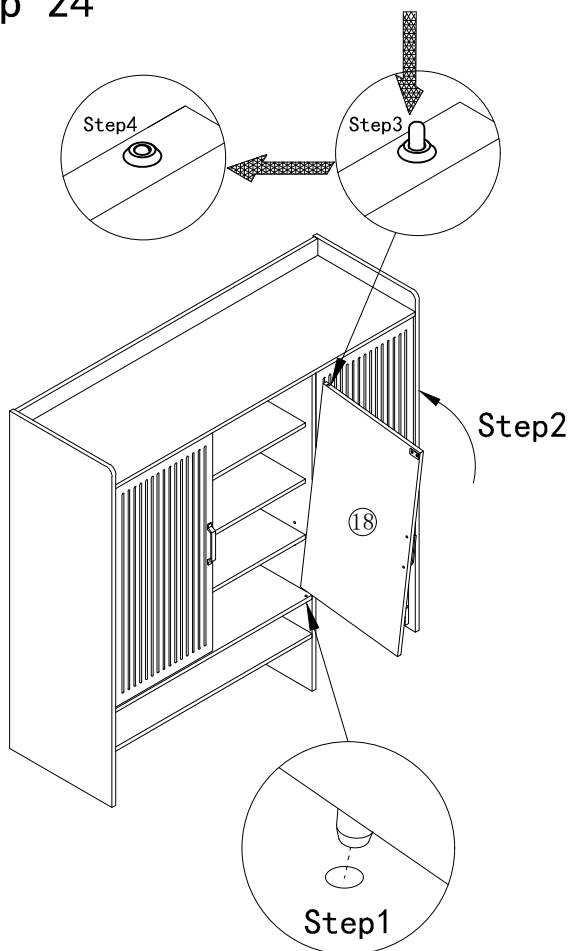
Step 22



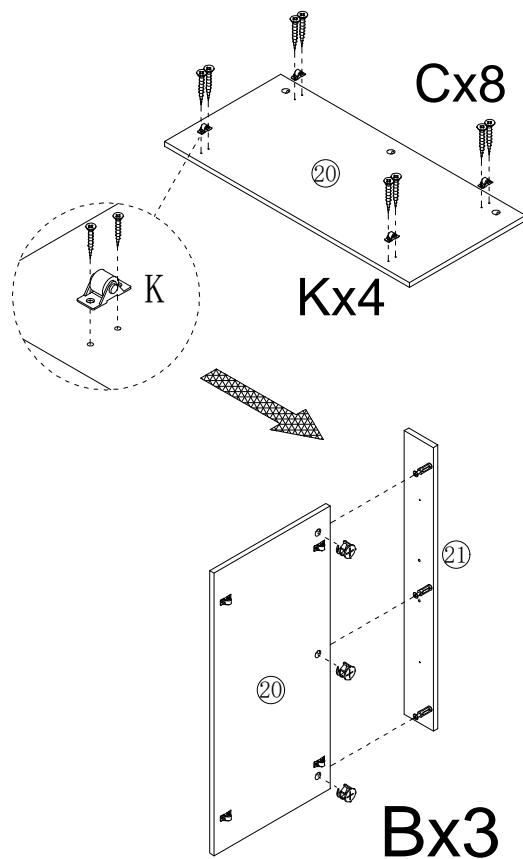
Step 23






Step 24



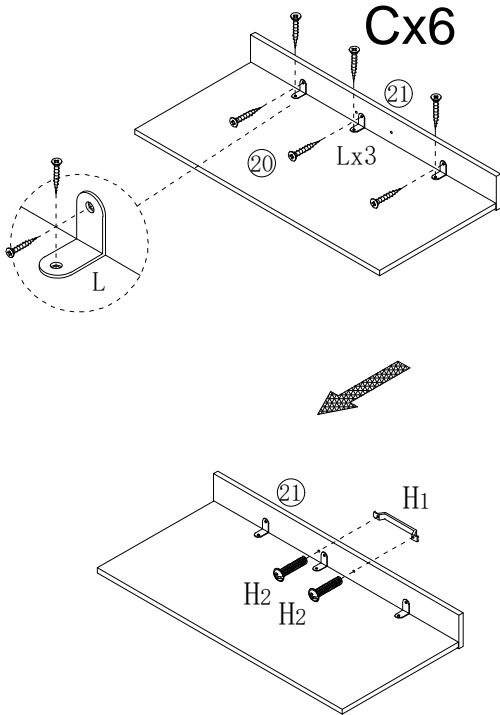
Step 25



B	3PCS
	Ø15*9.5
C	8PCS
	Ø3.5*12
K	4PCS
	

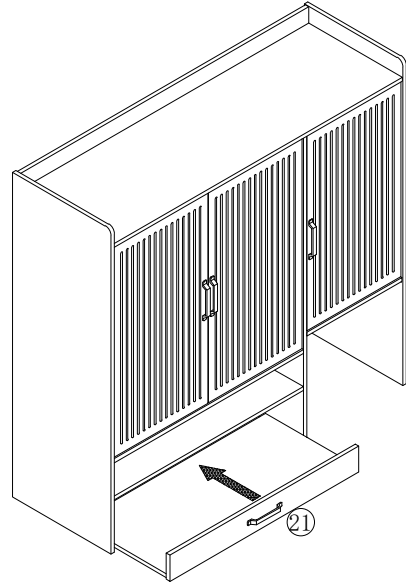
ASSEMBLY INSTRUCTION

Step 26

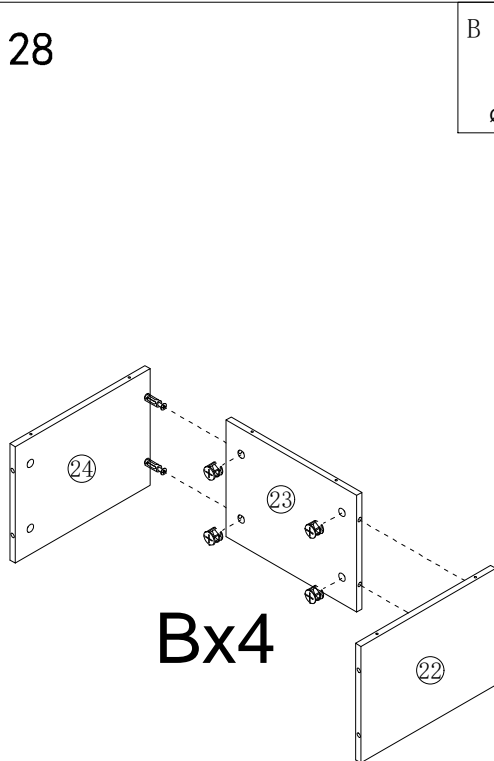


C	6PCS
	Ø3.5*12
H	1sets
	96# M4*16
L	3PCS

Step 27

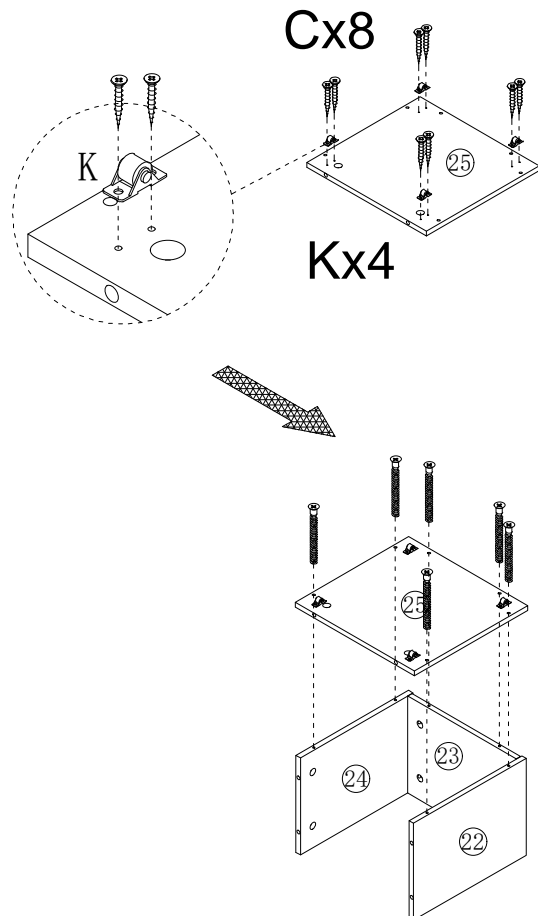


Step 28



B	4PCS
	Ø15*9.5

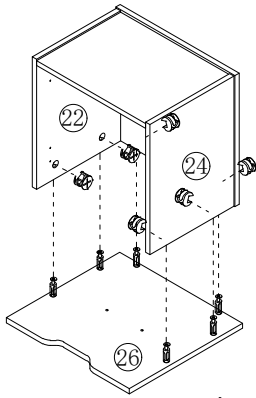
Step 29



C	8PCS
	Ø3.5*12
K	4PCS
J	6PCS
	M5*38

ASSEMBLY INSTRUCTION

Step 30



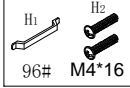
Bx6

B 6PCS

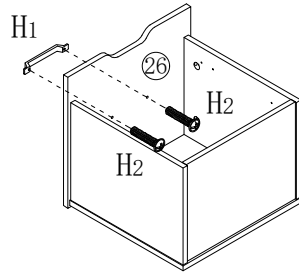
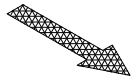


Ø15*9.5

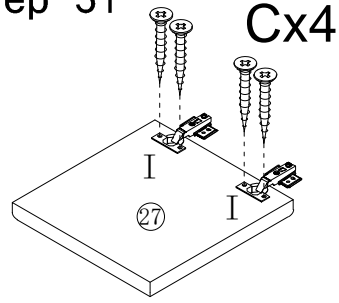
H 1sets



96# M4*16



Step 31



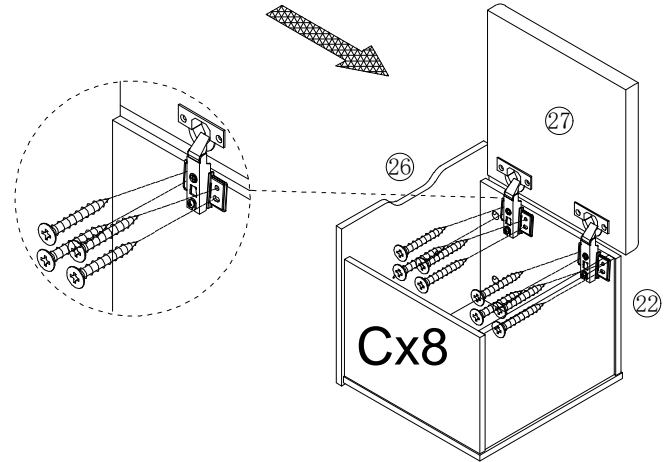
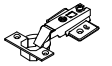
Cx4

C 12PCS

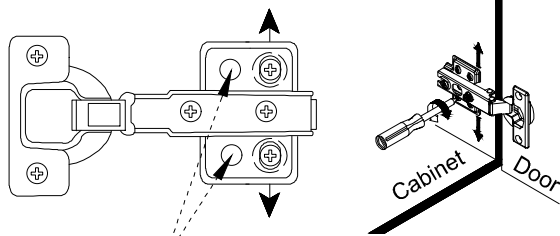


Ø3.5*12

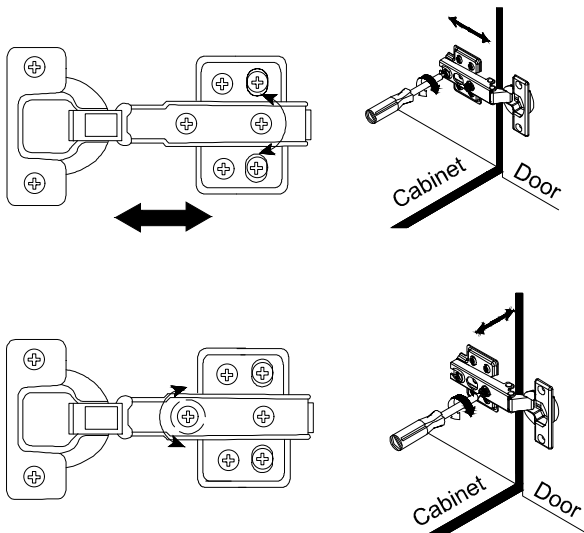
I 2PCS



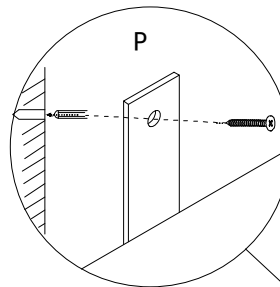
Step 32



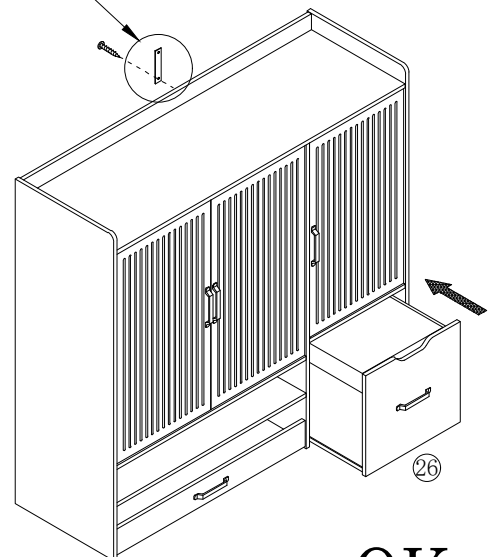
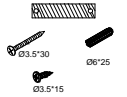
These two screws will be locked after the door panel is adjusted up and down.



Step 33



P 1set



OK