

Thank you for your order!

We appreciate your business. Additional information on your product may be available on our website.



Happy?

Wonderful! We are very glad. Please share your experience with us and others. It helps us know what you like best!

- Review this product

Search the item # from the home page to find the product. Leave your review under the review tab on the product's page!

- Follow us on Facebook and Instagram!



Not happy?

Please give our customer service a call. We are here to help.

- Missing parts?
- Having trouble with assembly?

5 Shelf Tower



! WARNING

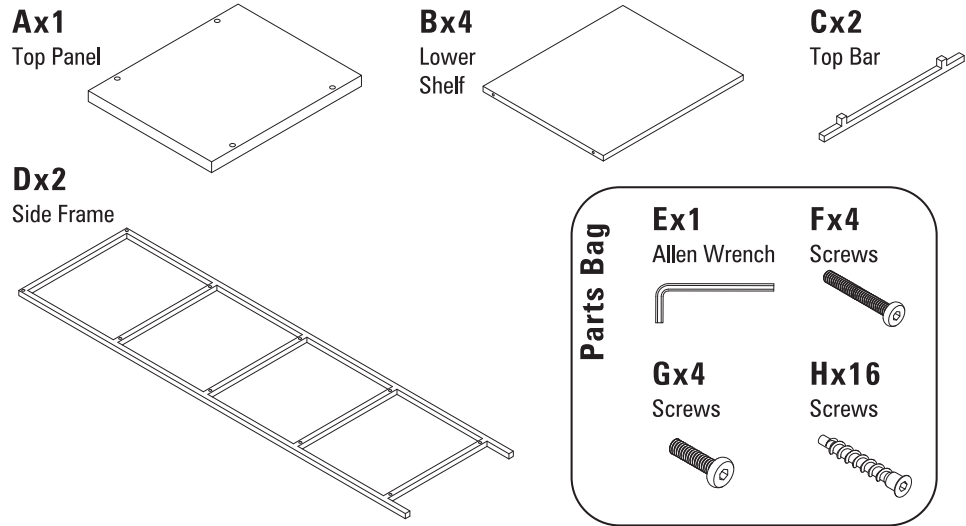
Attach the unit to the wall with the Tipping Restraint Kit hardware. Follow the instructions printed on restraint kit's bag to install.

Serious or fatal crushing injuries can occur from furniture's tipping over. To help prevent tipping:

- Avoid climbing on or hanging on product.
- Unless specifically designed to accommodate, do not set TVs or other heavy objects on top of this product.
- Place heaviest items in the lowest position possible.
- Secure product to the wall with tipping-restraint.

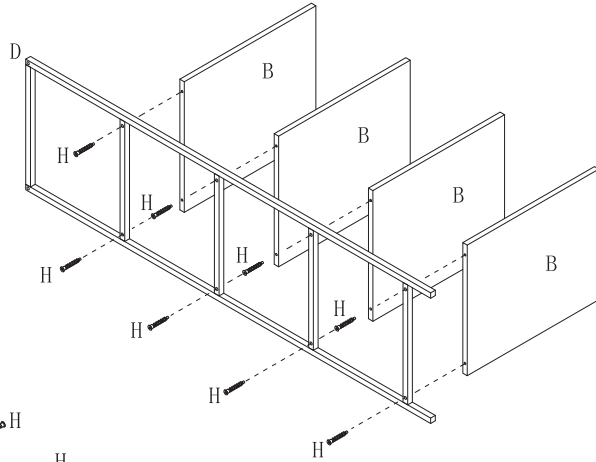
The use of tipping restraints may only reduce, not eliminate, the risk of tipping over.

Parts

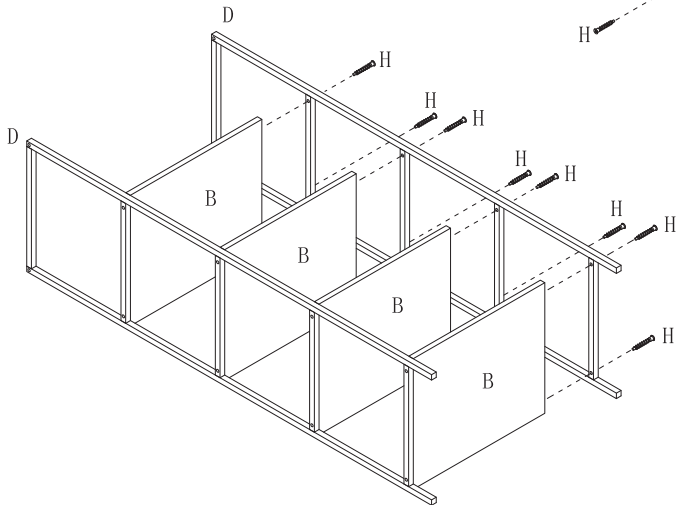


Assembly

- 1** Attach side frame (D) to lower shelves (B) using screws (H).

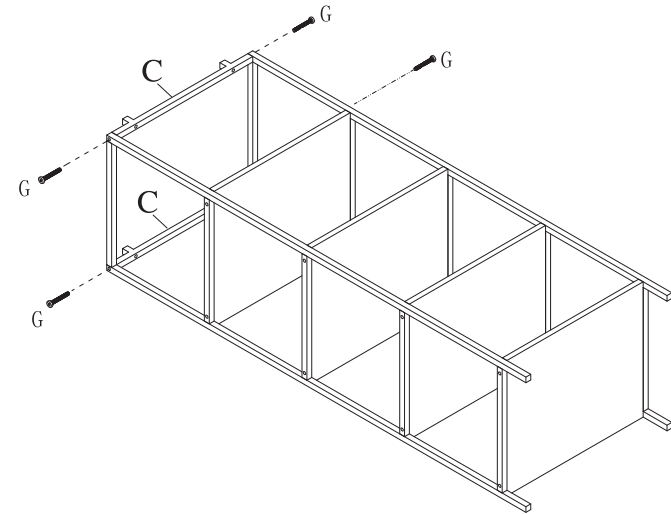


- 2** Attach opposite side frame (D) to lower shelves (B) using screws (H).



Assembly cont'd

- 3** Attach top bar (C) to side frame (D) using screws (G).



- 4** Attach top panel (A) to the tower frame using screws (F).

