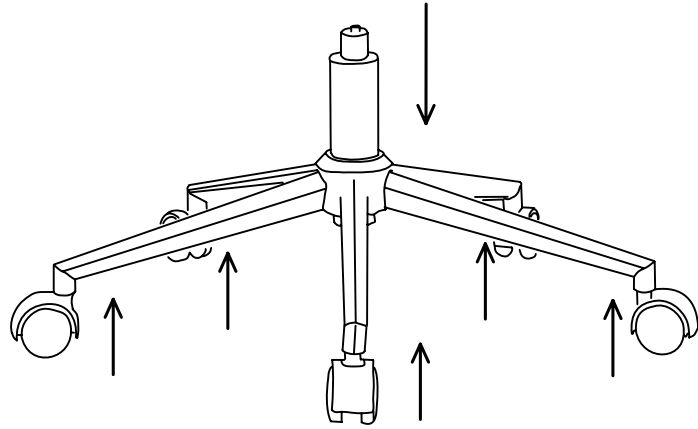


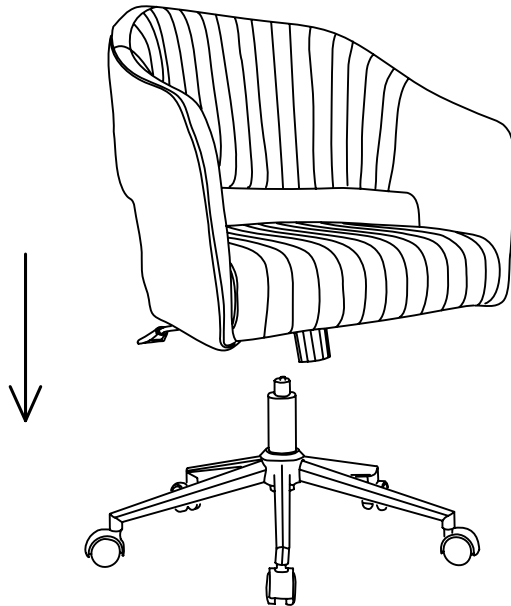
Assembly Instructions

STEP 1

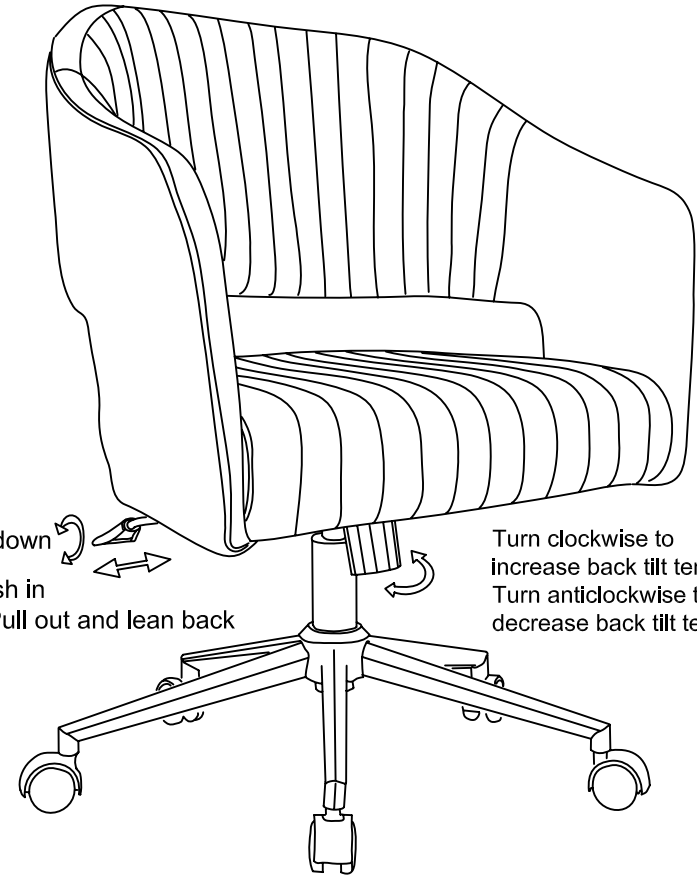


Assemble the wheels, leg cover and gaslift.

STEP 2



Put the mechanism hole into gaslift.

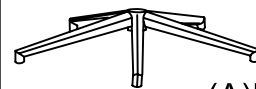


Turn handle to stand up or sit down

Lock tilting: Push in
Unlock tilting: Pull out and lean back

Turn clockwise to increase back tilt tension
Turn anticlockwise to decrease back tilt tension

Done!



(A) Legs
1 pcs



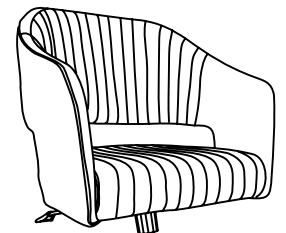
(B) Leg cover
1 pcs



(C) Gaslift
1 pcs



(D) Wheels
5 pcs



(E) Chair body
1 pcs