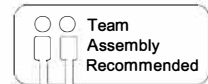
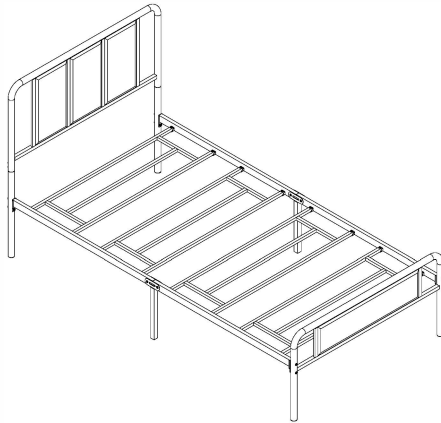


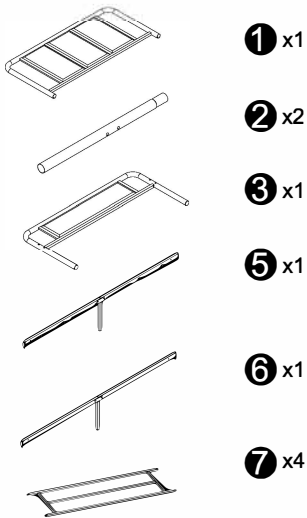
Bed Frame Installation Manual

#Number System

Easy assembly by following 1,2,3...



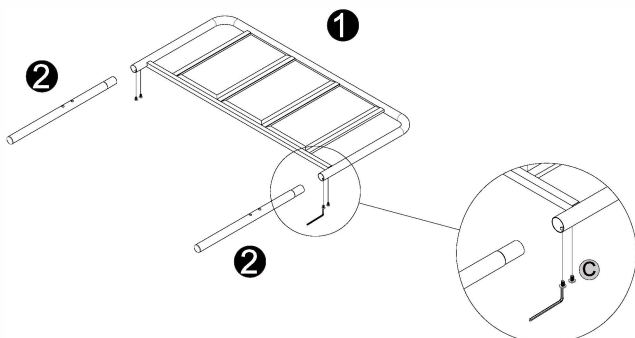
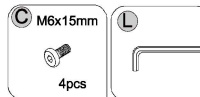
Componets



Screws & Tools

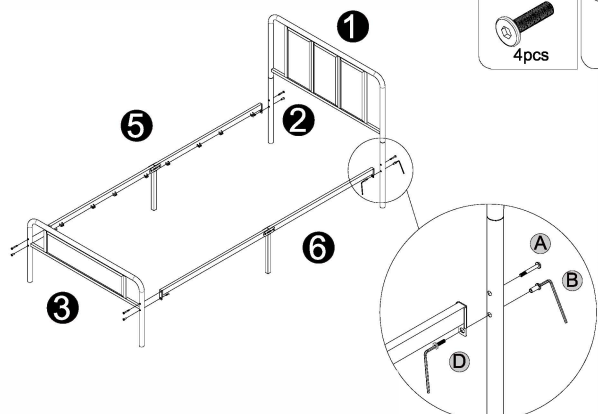
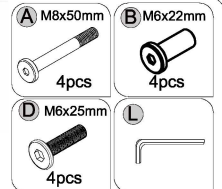
A		M8x50mm	x4
B		M6xØ8x22mm	x4
C		M6x15mm	x4
D		M6x25mm	x20
L		M4	x2

1 Headboard assembly



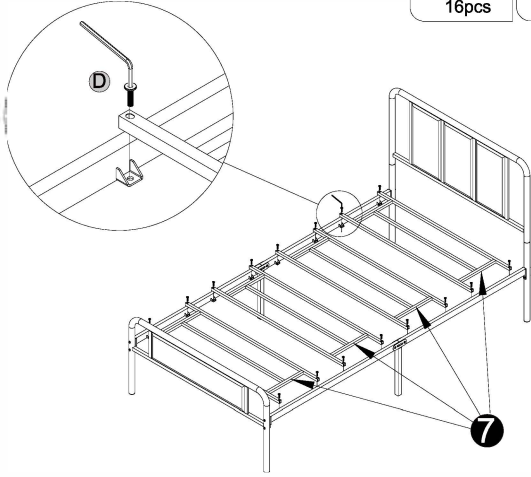
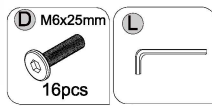
Note:
In this step, do not tighten screw (B)

2 Connect 5 & 6



Note:
In this step, do not tighten screw (B)

3 Connect **7** X 4



4 Check and tighten all screws

